

INSTALLATION INSTRUCTIONS

If you have any question,
please feel free to contact our customer service team.
E-mail: help@EverythingSupport.com
TEL: 800-209-3199 (9:00 am-5:00 pm, EST, Monday - Friday)

Pull Out Cabinet Organizer With Soft Close Concealed Slides

TOOLS REQUIRED



Hand Drill



Phillips Screwdriver

PRODUCT INFORMATION

BFEF004FE2-U
AA9B004FE3-U
F919004FE6-U
A839004FE7-U
COB2004FE8-U

●Organizer Dimension:

10.5"~22.5"W×8"H×21"D

●Package Contents:

Fully Assembled Pull Out Organizer×1
Screw×10 (+2 extra)
Mounting Template×1
Installation Instructions×1
After-Sales Service Card×1

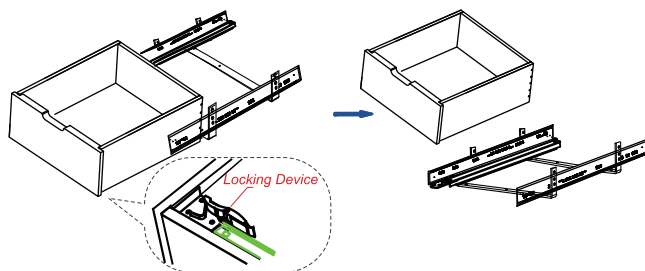
INSTRUCTIONS

Please refer to the installation steps on the right side or scan the QR Code below to watch the installation video.



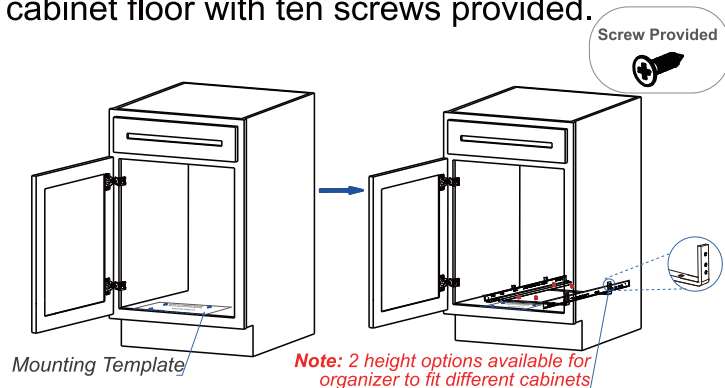
STEP 1

Pull out the organizer towards you and press the locking devices installed on the bottom board to remove the organizer from the Slide-Frame.



STEP 2

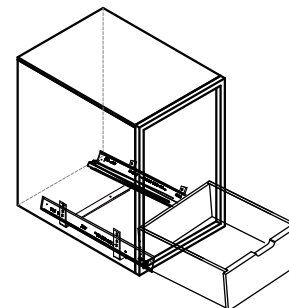
Determine the installation position of Slide-Frame according to the instructions on the Mounting Template provided, then attach Slide-Frame U-Shaped Support Brackets to the fixed shelf or cabinet floor with ten screws provided.



STEP 3

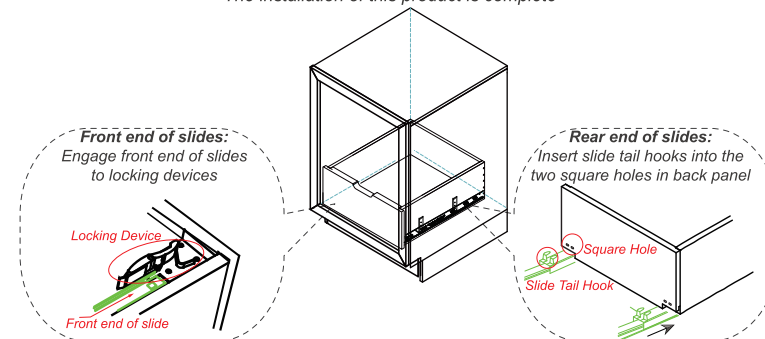
Remove the template and place the organizer back into the frame structure slides.

- ① Place the organizer on the slides with the slides in the fully closed position.



- ② Push back until you feel the slides engage the locking devices installed on the bottom board of the organizer (you will hear a "click" sound).

The installation of this product is complete



THANK YOU

We appreciate the trust and confidence you have placed in HomLux through the purchase of this product.
We endeavor to continually create high quality products to enhance your home. Thank you for choosing HomLux!