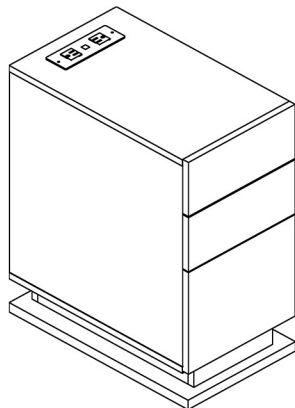


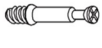

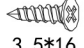
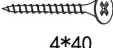




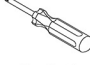

ASSEMBLY INSTRUCTION

- It would be best if you set aside and organize all pieces & corresponding “nuts/bolts” first .
- Please follow the instructions to assemble the items correctly.
- Could be assembled by one person ,but would recommend two.
- Please ensure the safety of the glass when assembling.
- Do not make the screws too loose or too tight.
- As shown in the figure, Insert the screw into the hole.
The arrow in the picture, Then rotate 90° or 180° clockwise.
- The remaining parts are spare parts.

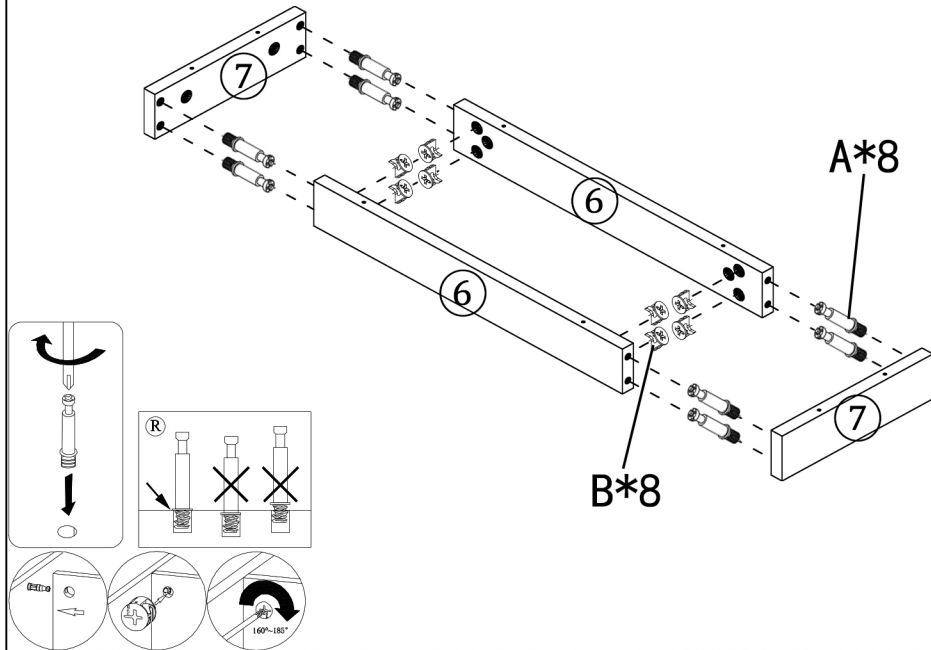
SAFETY INFORMATION

- The accessory bag contains some small accessories , which should be kept away from children.
- Kids are not allowed to climb or play with the product for safety reasons .

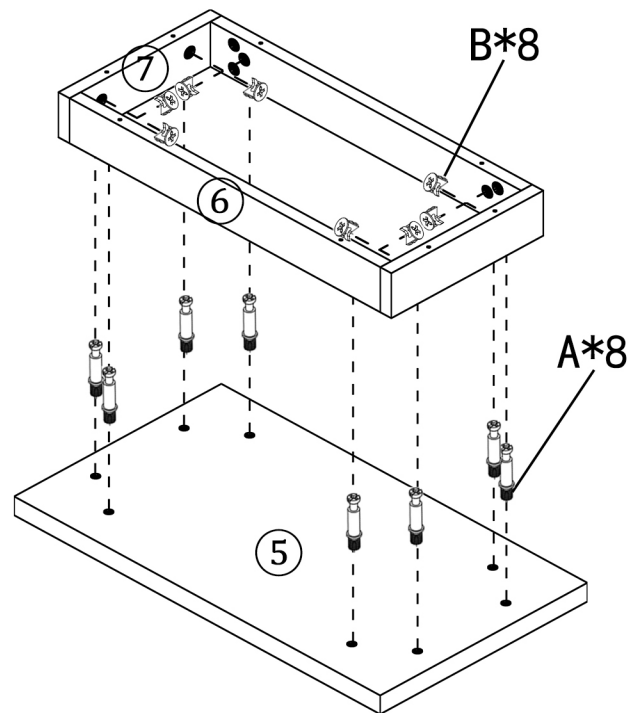


 A*66	 B*66	 3.5*16 C*26	 4*40 D*8	 E*6	 F*4	 G*1
 53mm H*1	 I*1	 LED				

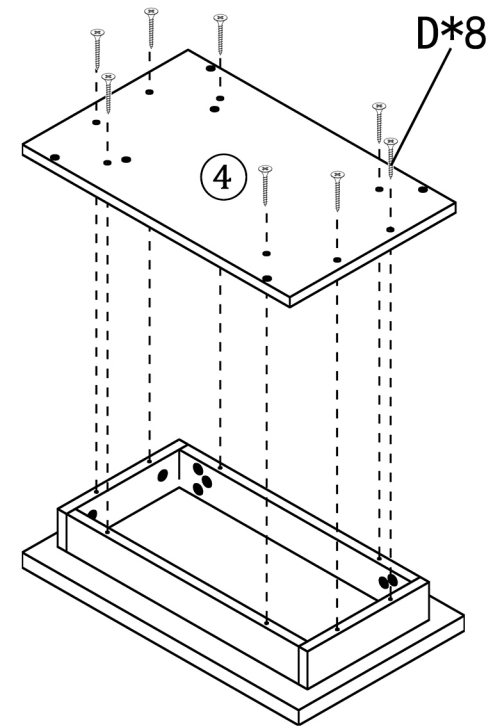
STEP 1



STEP 2

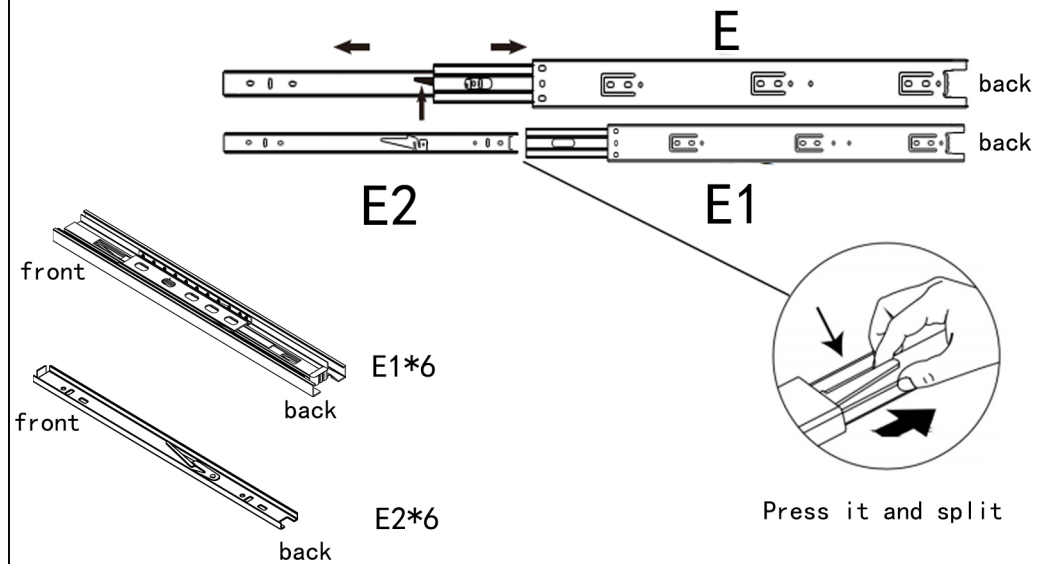


STEP 3



STEP 4

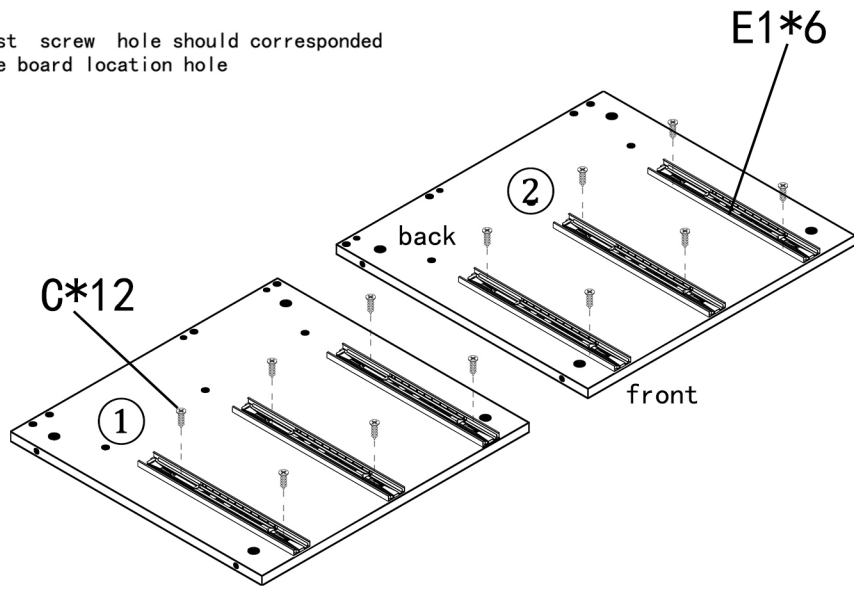
Warm Reminder:
Before installing the drawer rail,
you need to separate the E1 and E2 first.



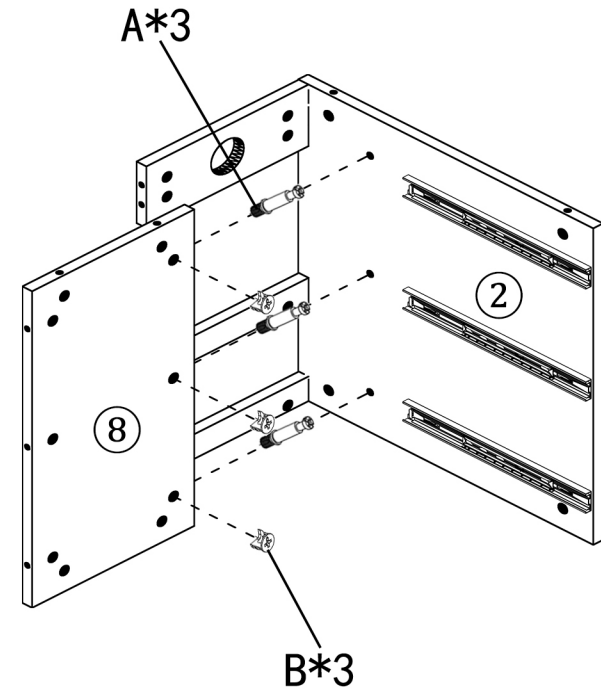
STEP 5



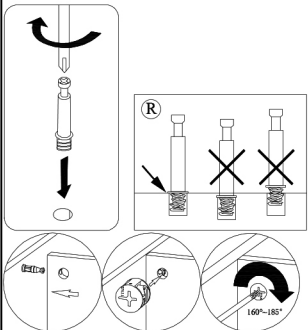
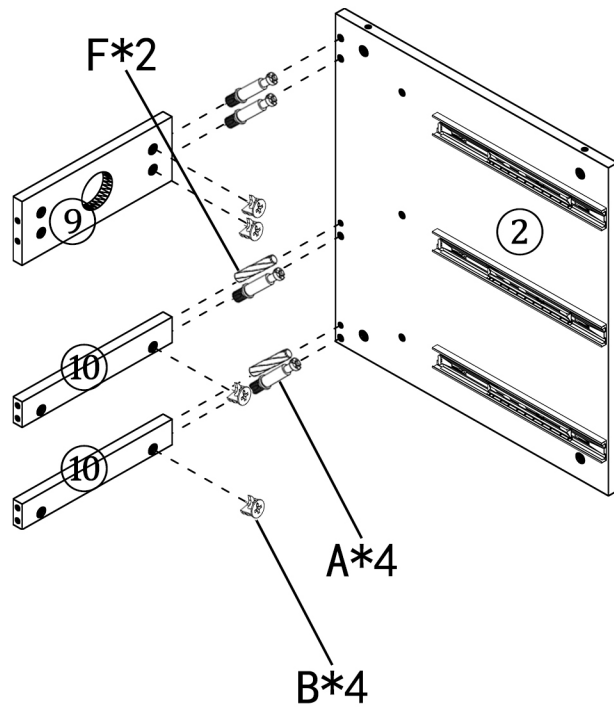
The first screw hole should correspond with the board location hole



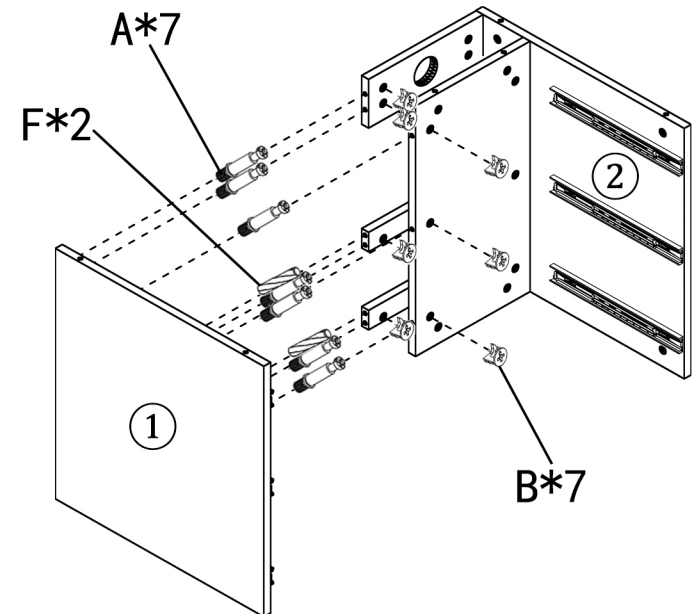
STEP 7



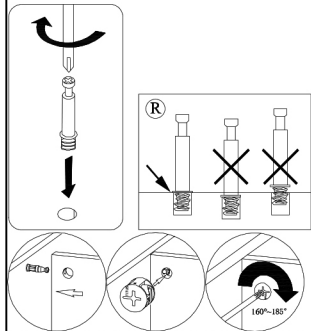
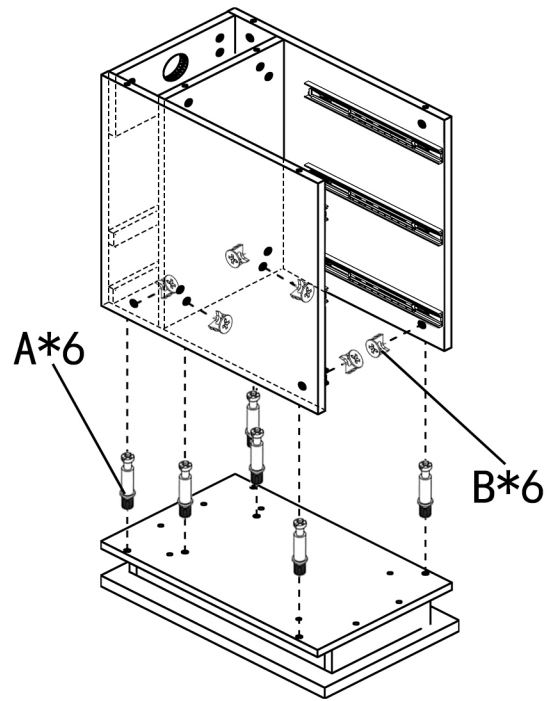
STEP 6



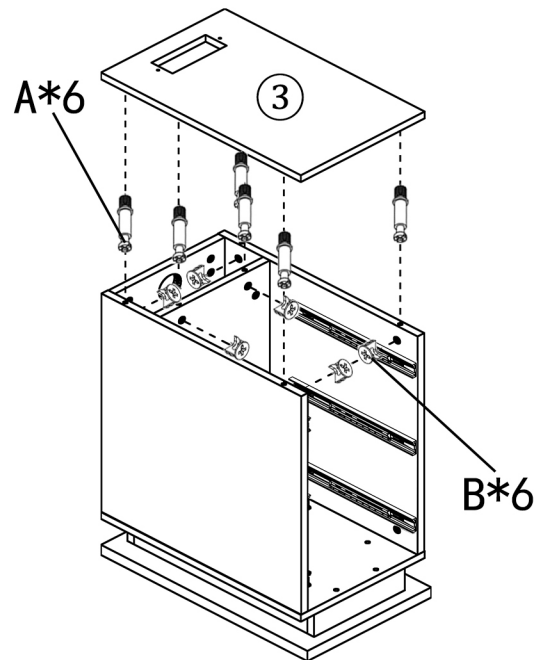
STEP 8



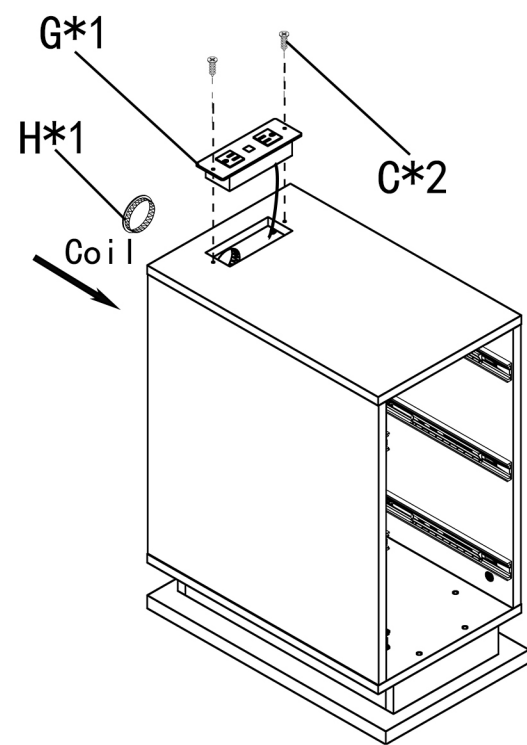
STEP 9



STEP 10



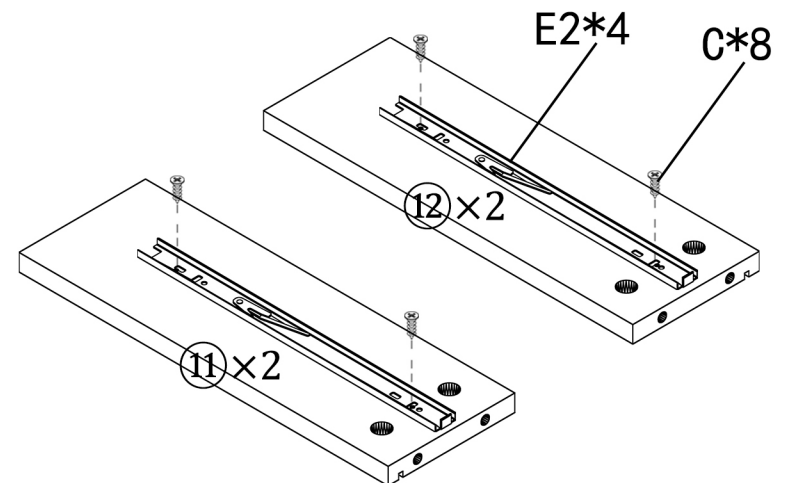
STEP 11



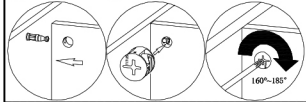
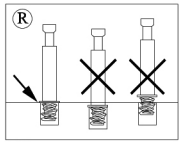
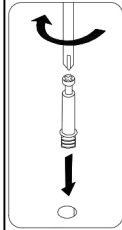
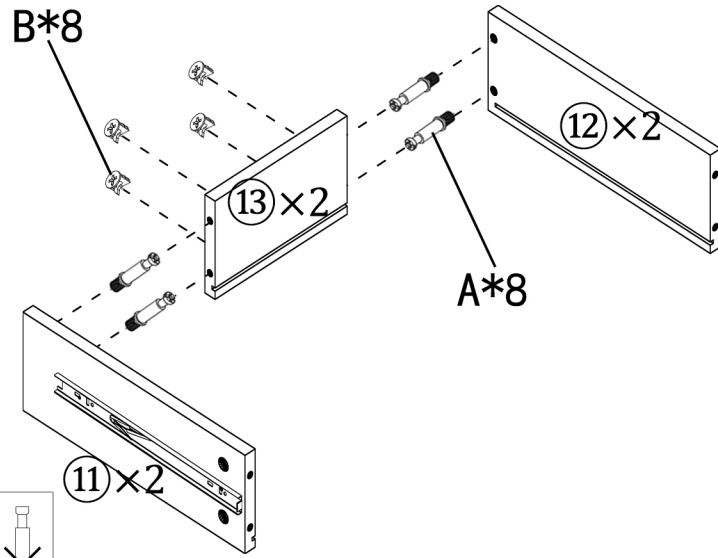
STEP 12



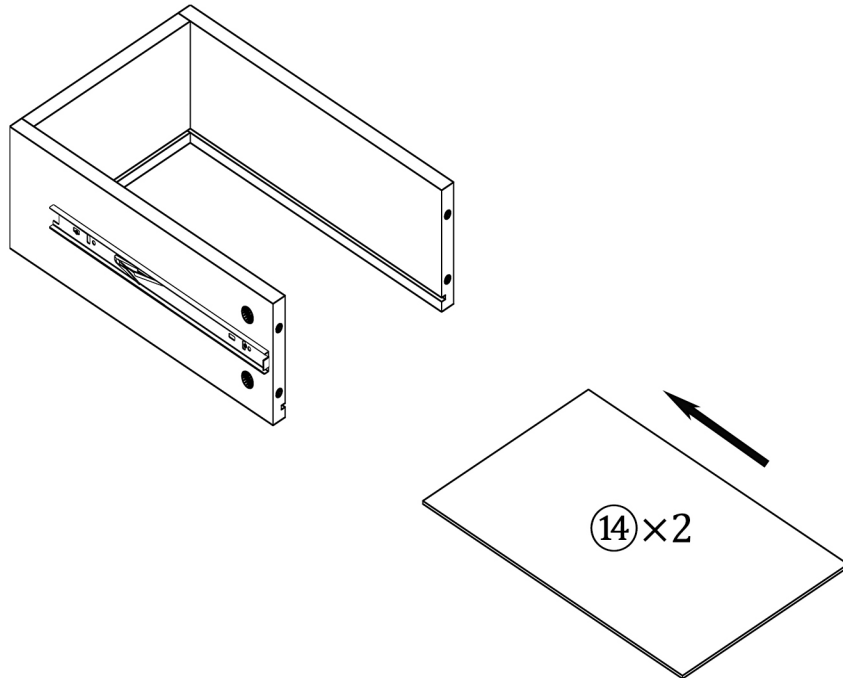
The first screw hole should corresponded with the board location hole



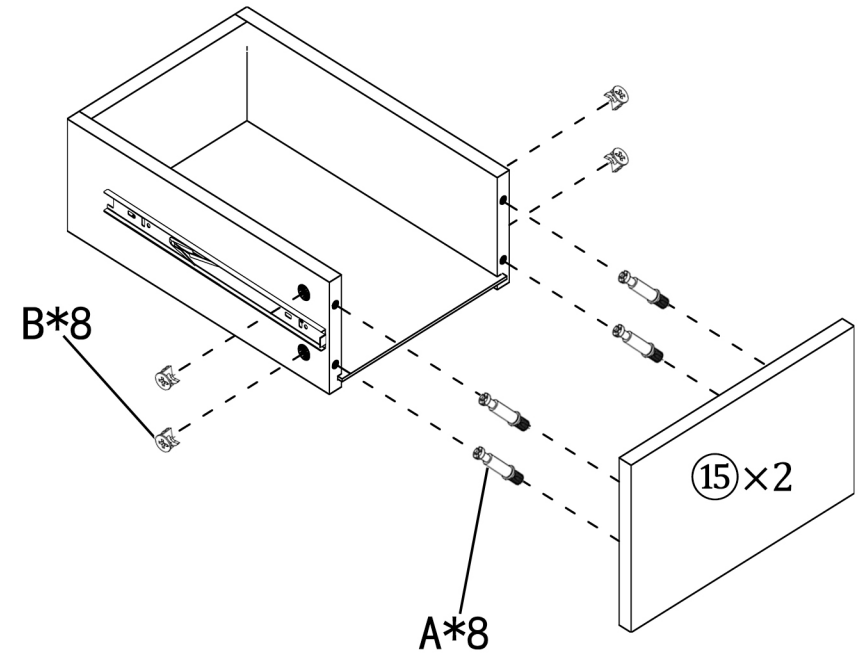
STEP 13



STEP 14



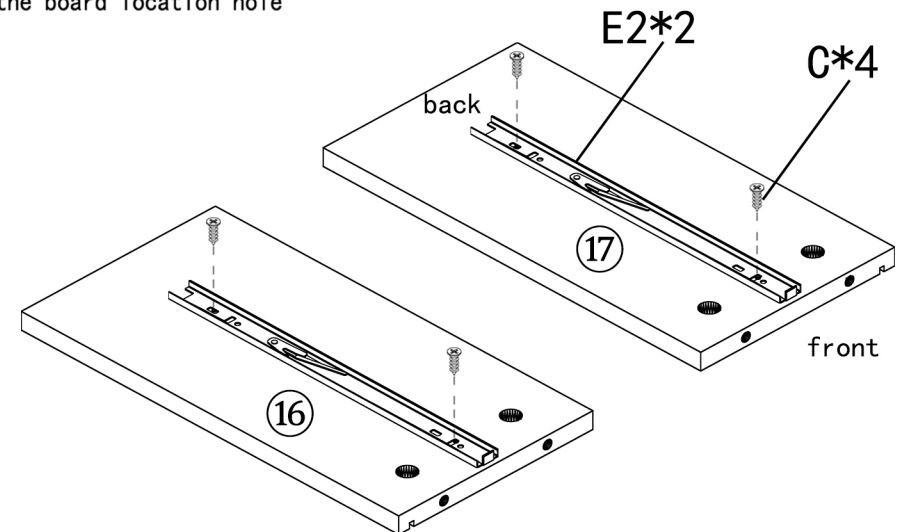
STEP 15



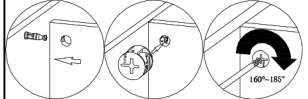
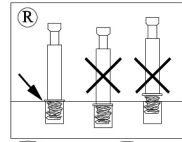
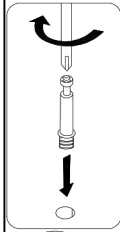
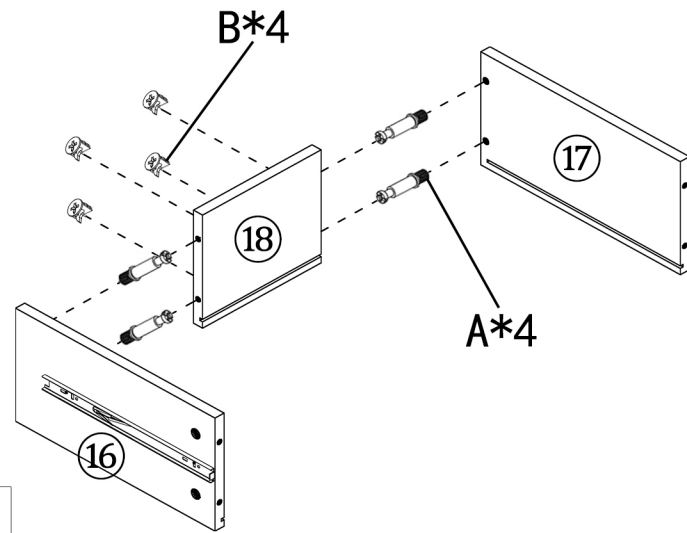
STEP 16



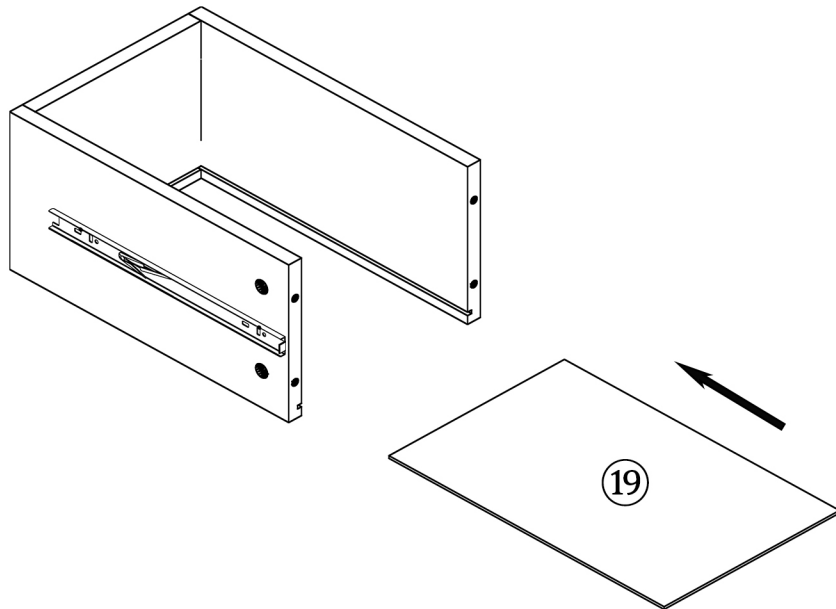
The first screw hole should corresponded with the board location hole



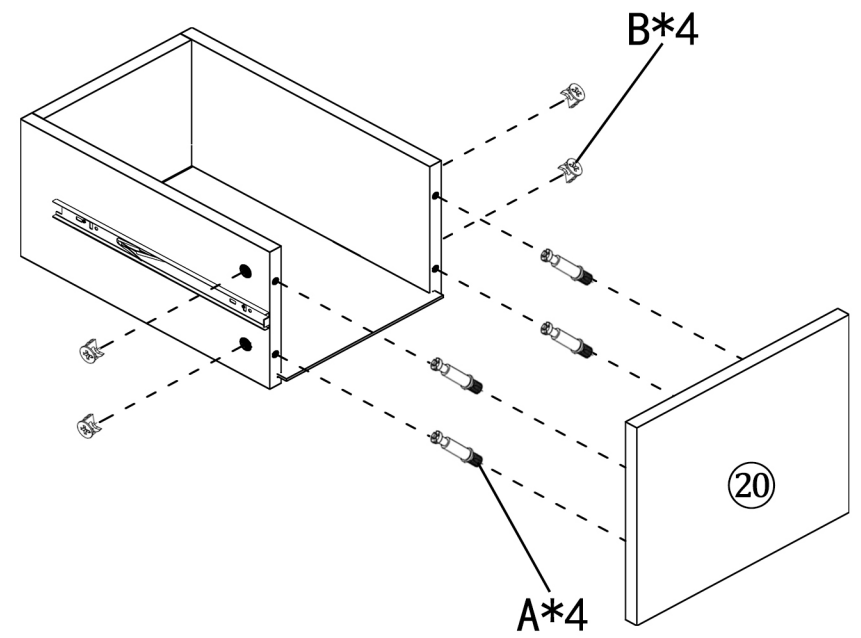
STEP 17



STEP 18



STEP 19



STEP 20

