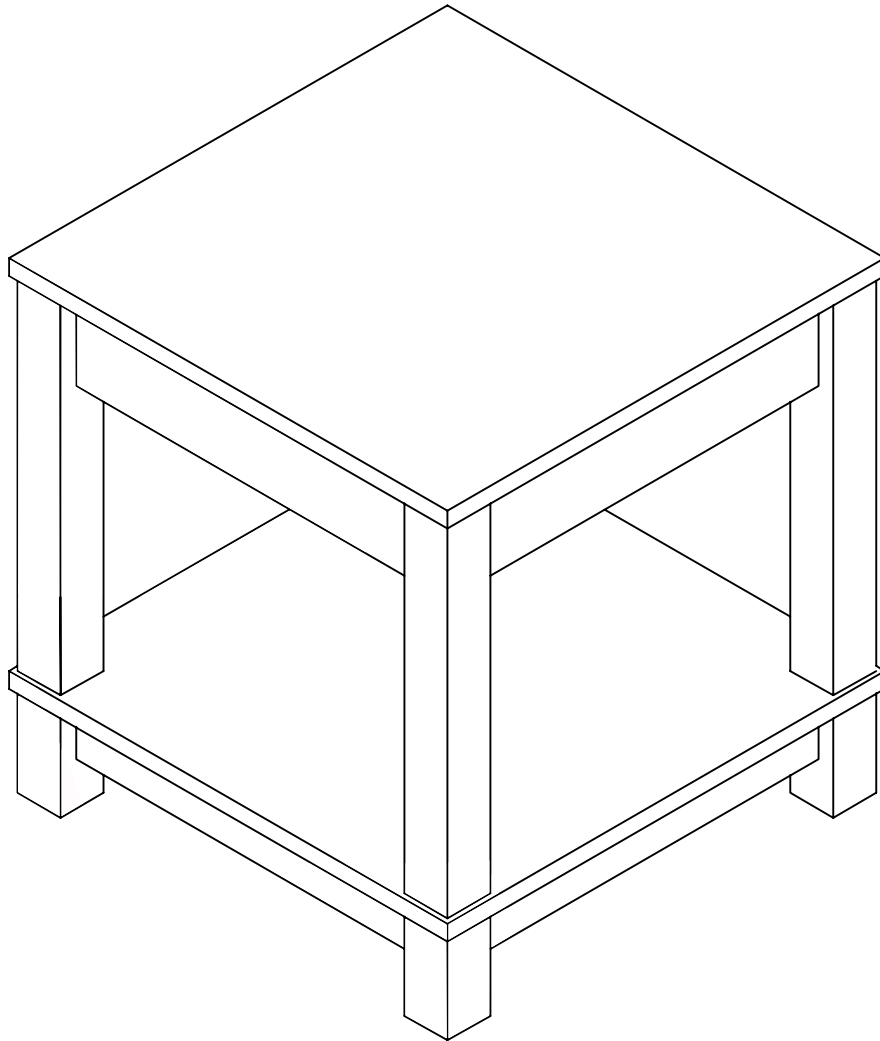


Carver End Table

Date of Purchase: ____/____/____

Lot Number:



THIS INSTRUCTION BOOKLET CONTAINS **IMPORTANT** SAFETY INFORMATION. PLEASE READ AND KEEP FOR FUTURE REFERENCE.

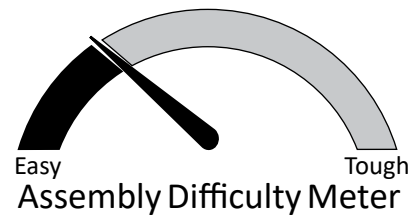
Do Not Return This Product!

Contact our customer service team for help first



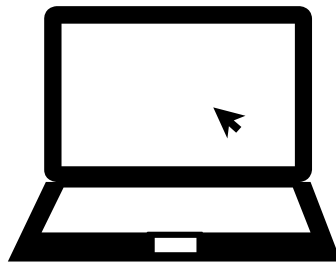
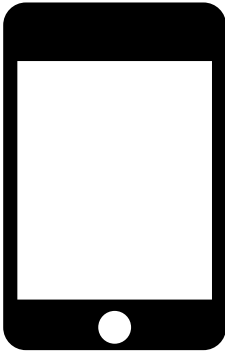
WARNING

- Unit can tip over causing severe injury or death.
- Anchor unit to stud in wall (if instructed to)
- Do not allow children climb on unit
- Put heavy items on lower shelves or drawers



Contact Us!

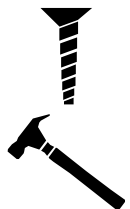
Do NOT return this product!
Contact our friendly customer service team first for help



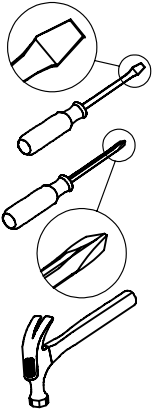
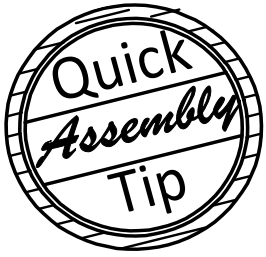
Helpful Hints

PEOPLE NEEDED FOR ASSEMBLY: **1-2**
ESTIMATED ASSEMBLY TIME: **1 HOUR**

- Open your item in the area you plan to keep it for less heavy lifting
- Identify, sort and count the parts before attempting assembly
- Compression dowels are tapped in with a hammer
- Slides are labeled with a R (right) and L (left) for proper placement
- Make sure to always face the point on the top of the Cam Lock towards the outer edge
- Use all the nails provided for the back panel and spread them out equally
- Back Panel must be used to make sure your unit is sturdy
- Do NOT use harsh chemicals or abrasive cleaners on this item
- Never push, pull, or drag your furniture



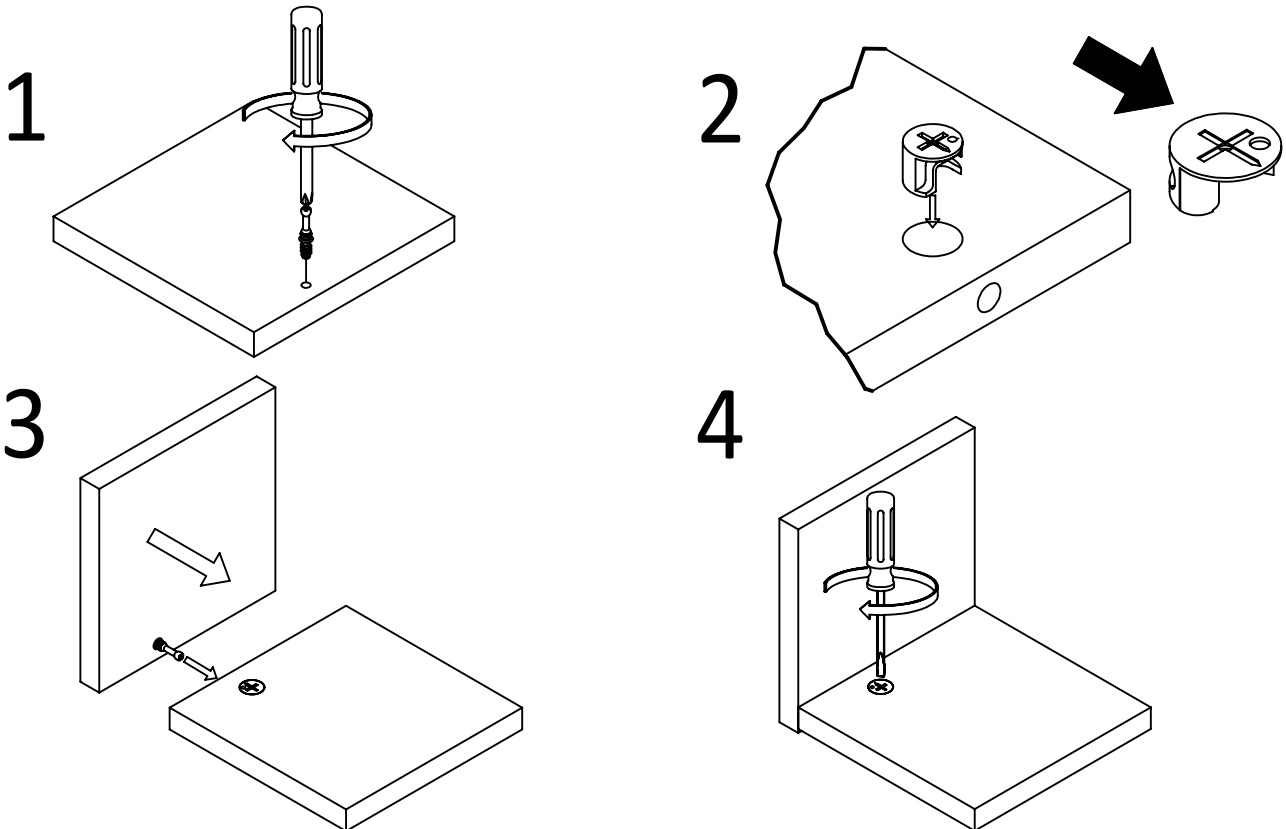
Before You Start



- ✓ Read through each step carefully and follow the proper order
- ✓ Separate and count all your parts and hardware
- ✓ Give yourself enough room for the assembly process
- ✓ Have the following tools: Flat Head Screwdriver, #2 Phillips Head Screwdriver and Hammer
- ✓ Caution: If using a power drill or power screwdriver for screwing, please be aware to slow down and stop when screw is tight. Failure to do so may result in stripping the screw.

Cam Lock Fastening System

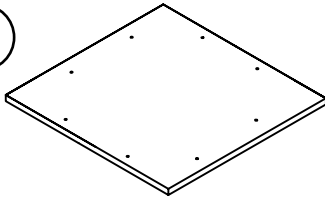
This Cam Lock Fastening System will be used throughout the assembly process.



Board Identification

Not actual size

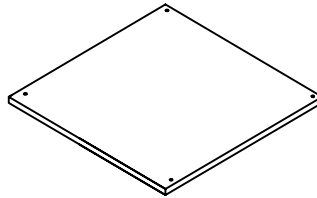
1



x1

TOP PANEL

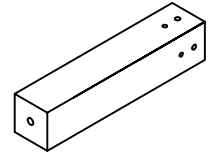
2



x1

BOTTOM PANEL

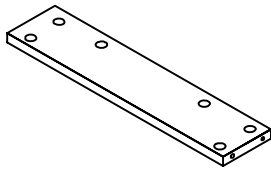
3



x4

LEG

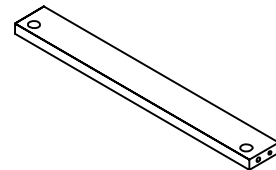
4



x4

UPPER SUPPORT PANEL

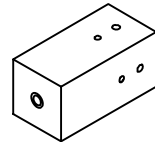
5



x4

LOWER SUPPORT PANEL

6



x4

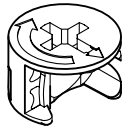
FOOT

Part List

Actual Size



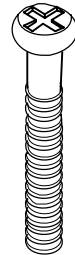
x32
TUD0001
Cam Bolt



x32
TUD0002
Cam Lock
15-12

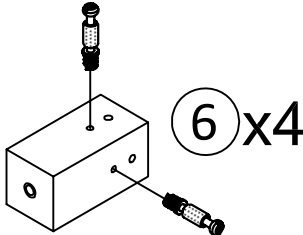
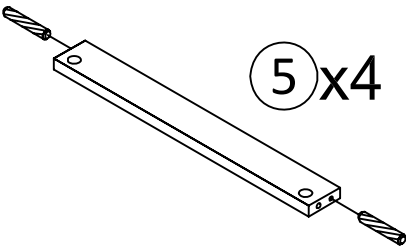
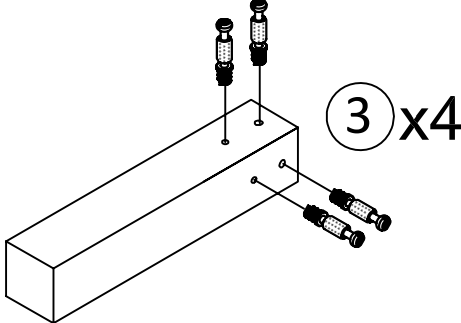
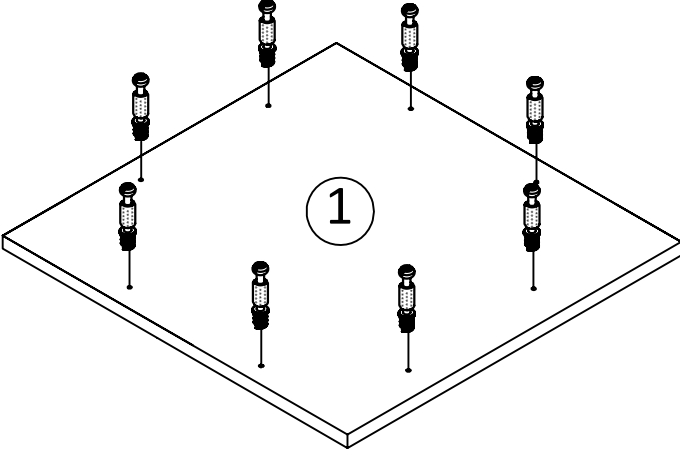
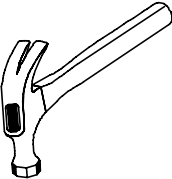
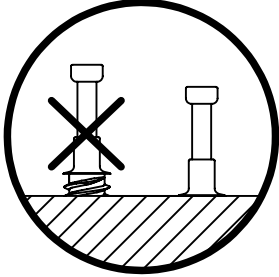
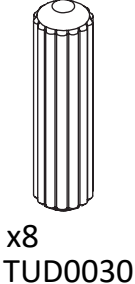
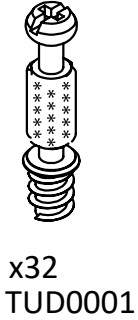
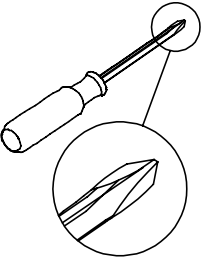


x8
TUD0030
DOWEL 6 X 30



x4
TUD0029
BOLT M6 X 70

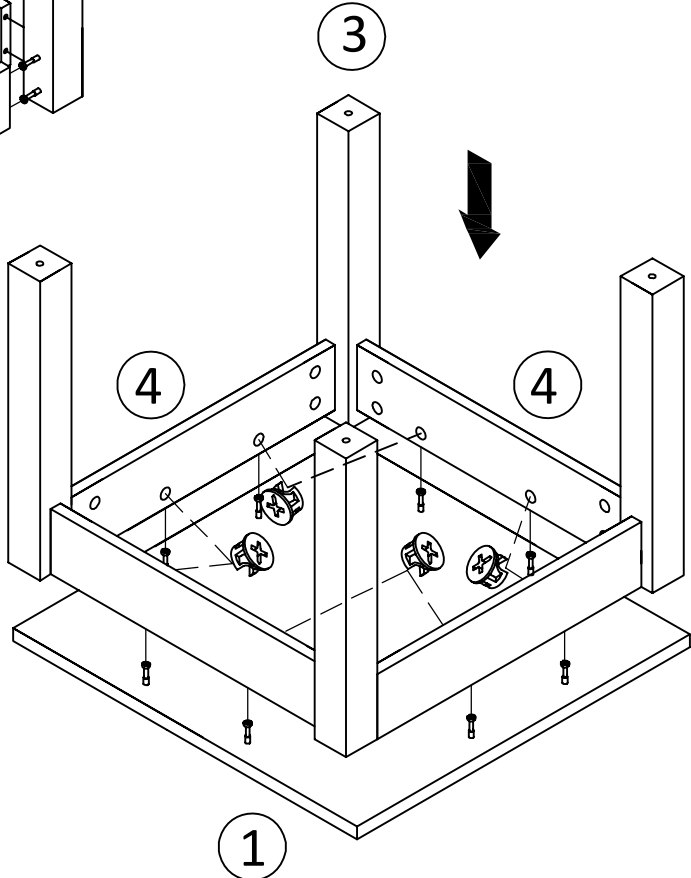
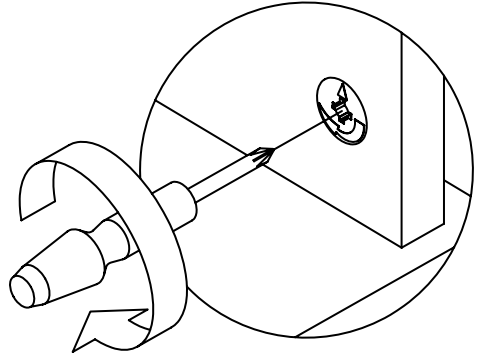
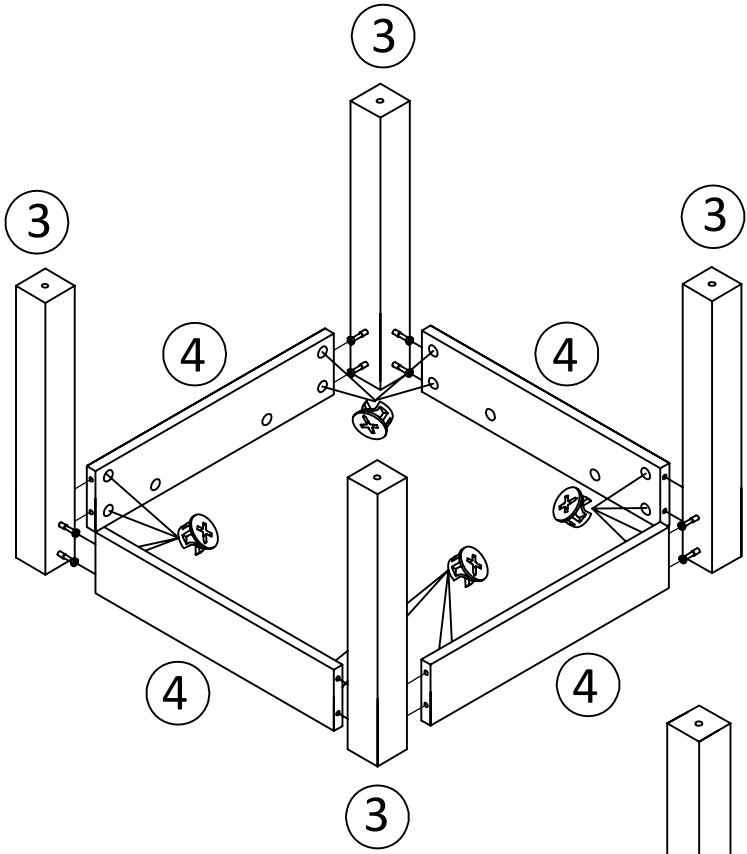
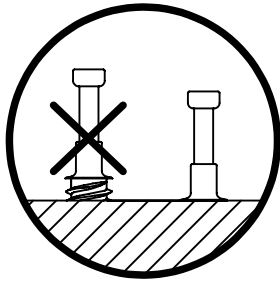
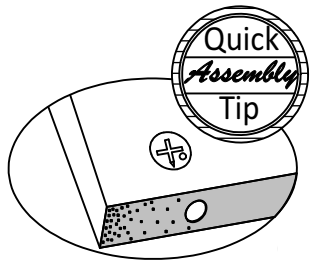
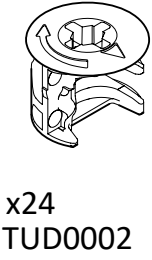
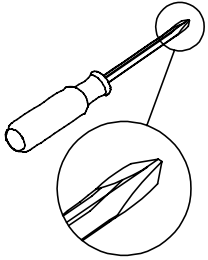
Step 1



* raw edges are shaded



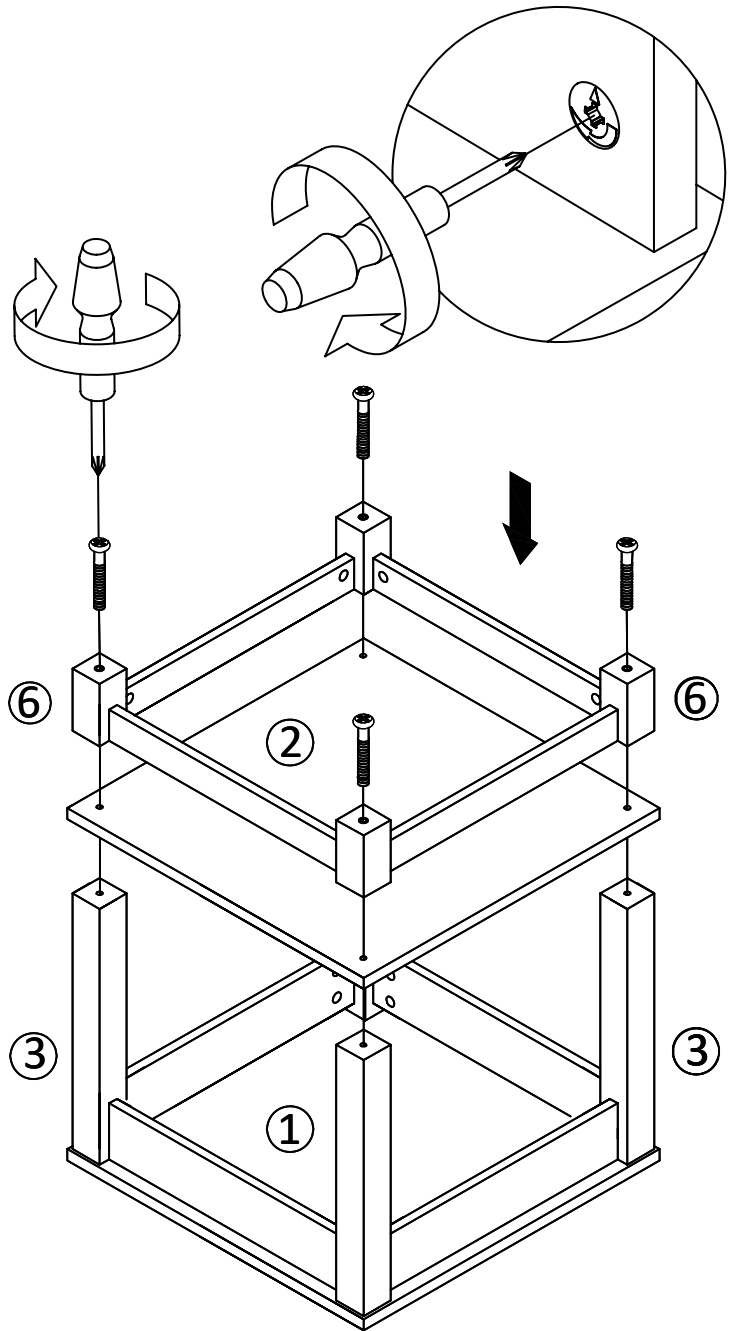
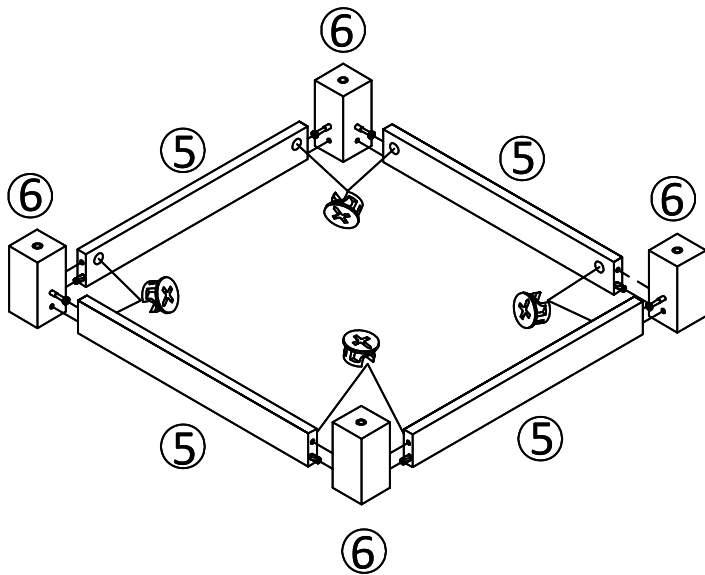
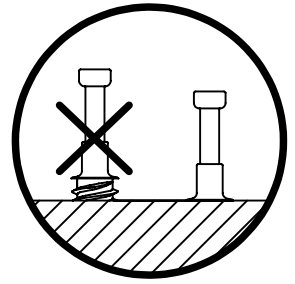
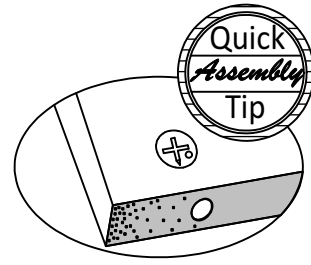
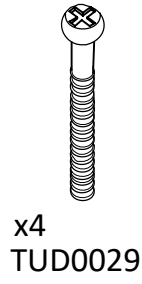
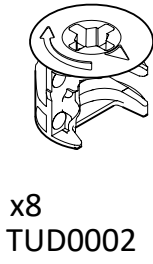
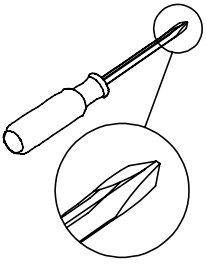
Step 2



* raw edges are shaded



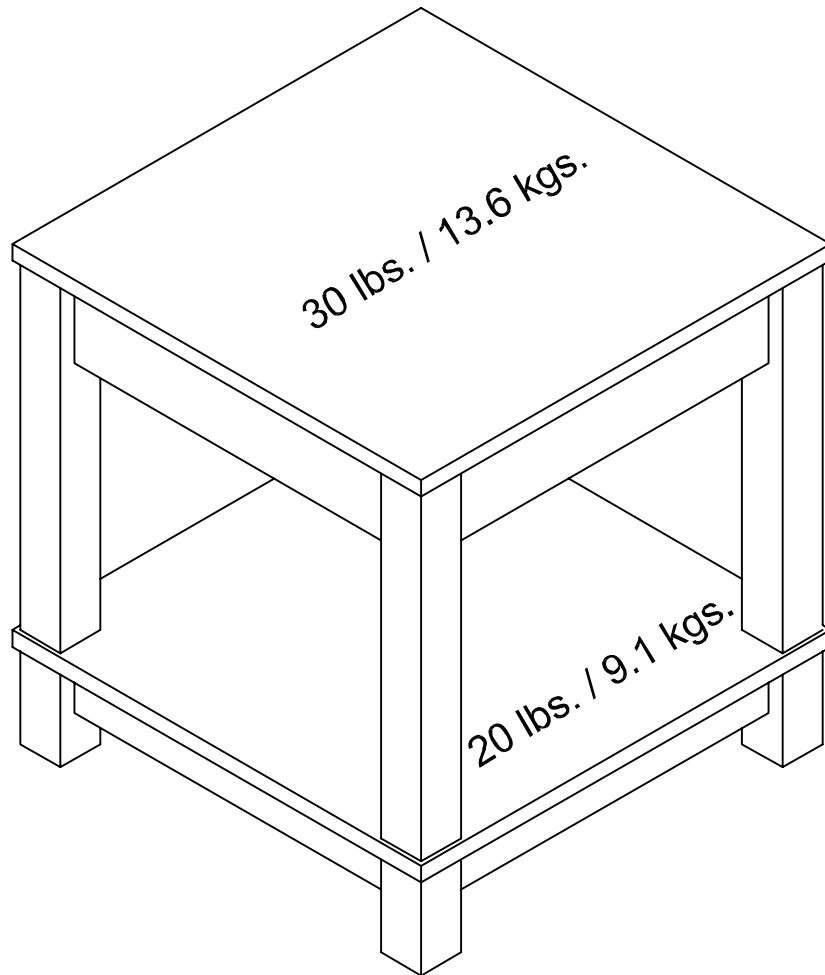
Step 3



* raw edges are shaded

Maximum Loads

This unit has been designed to support the maximum loads shown. Exceeding these load limits could cause sagging, instability, product collapse, and/or serious injury.



Warning: Risk of serious injury to person - do not place a television on this furniture. This furniture is not approved for use with a television.

Certificate of Conformity

1. This certificate applies to product identified by this instruction manual.
2. This certificate applies to compliance of this product with the CPSC Ban on Lead-Containing Paint (16 CFR 1303).
3. See front page of instruction manual for date of manufacturer.

Register your product to receive the following:



- * New trend details -sneak peek on what's new
- * Surveys -have a voice within our community
- * Exclusive deals and discount codes
- * Quick and easy replacement part service

5 Star Rating



Visit your local retailer's website, rate your purchased product and leave us some feedback!

We would like to extend a big "Thank You" to all of our customers for taking the time to assemble this product, and to give us your valuable feedback

Thank You!