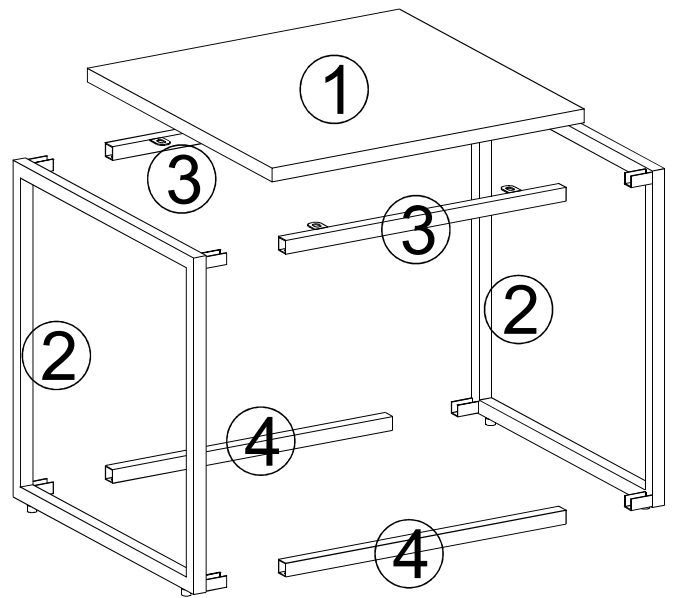
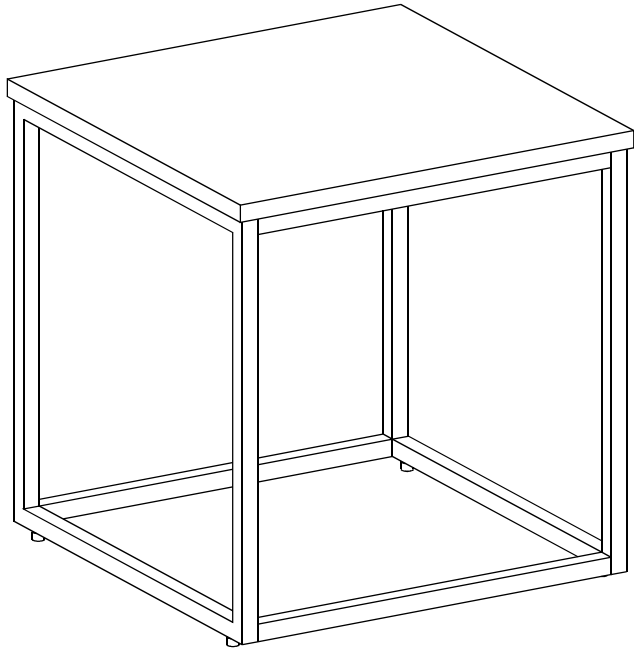
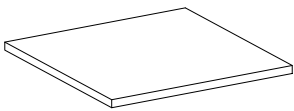


## ASSEMBLY INSTRUCTIONS

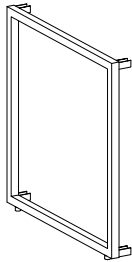


## PARTS LIST

① = 1 PC



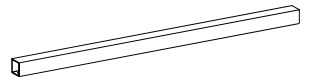
② = 2 PCS



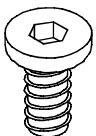
③ = 2 PCS



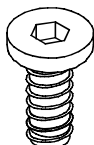
④ = 2 PCS



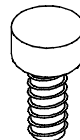
A = 16 PCS



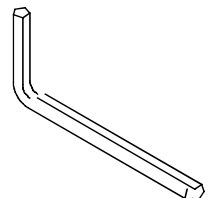
B = 4 PCS



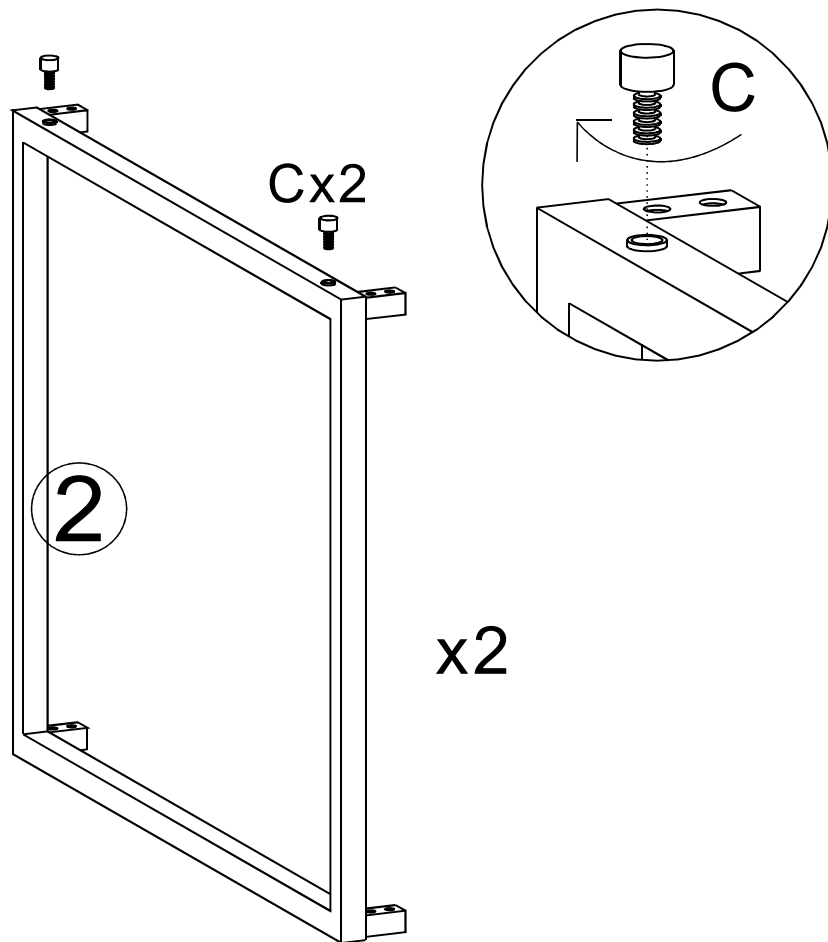
C = 4 PCS



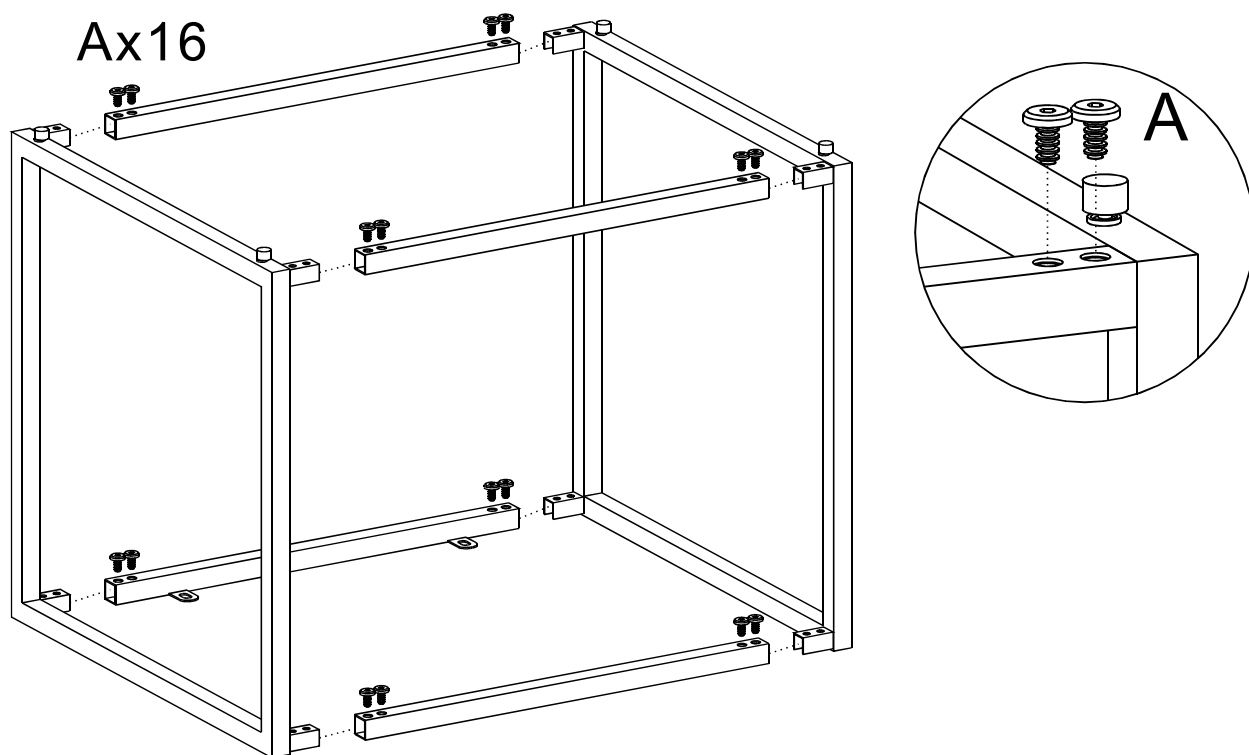
D = 1 PC



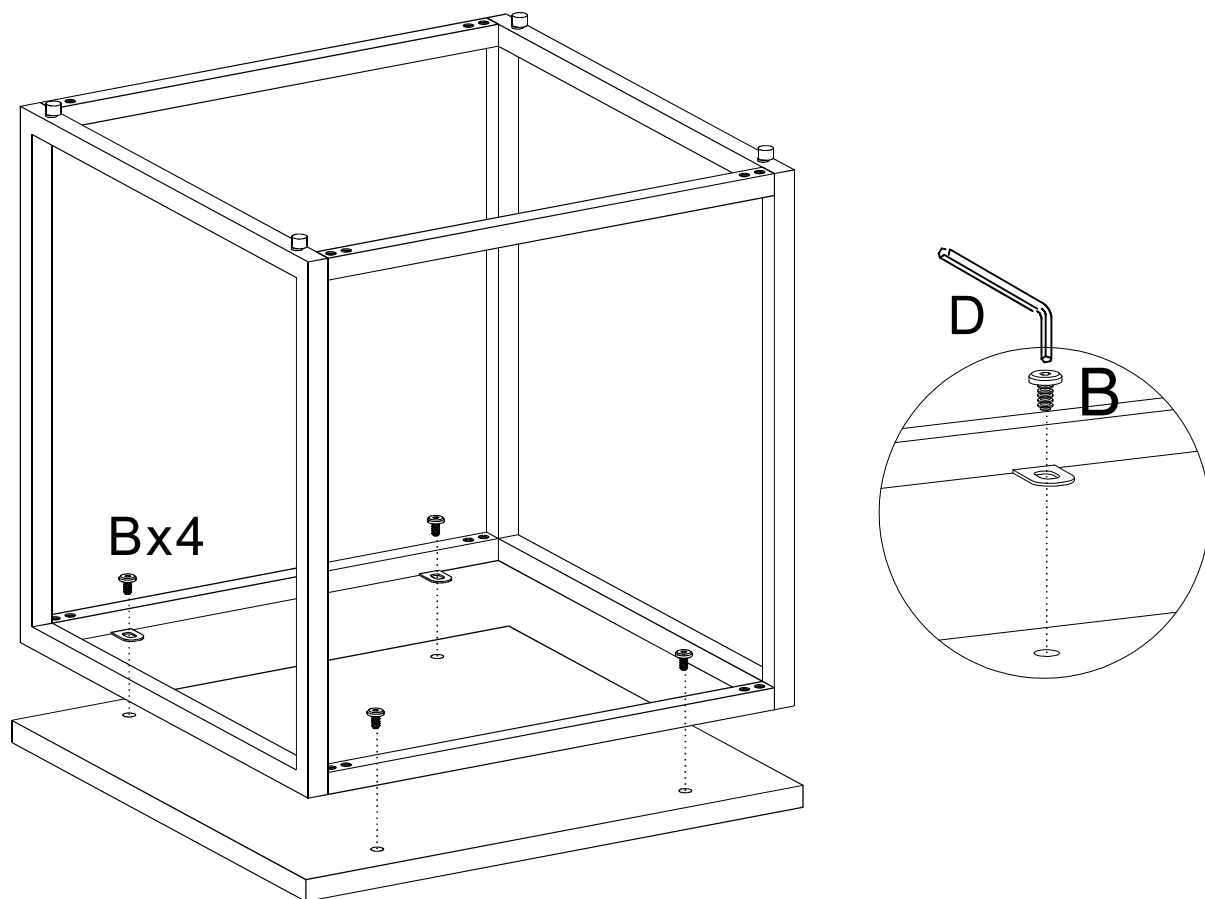
# STEP 1



# STEP 2



# STEP 3



# STEP 4

