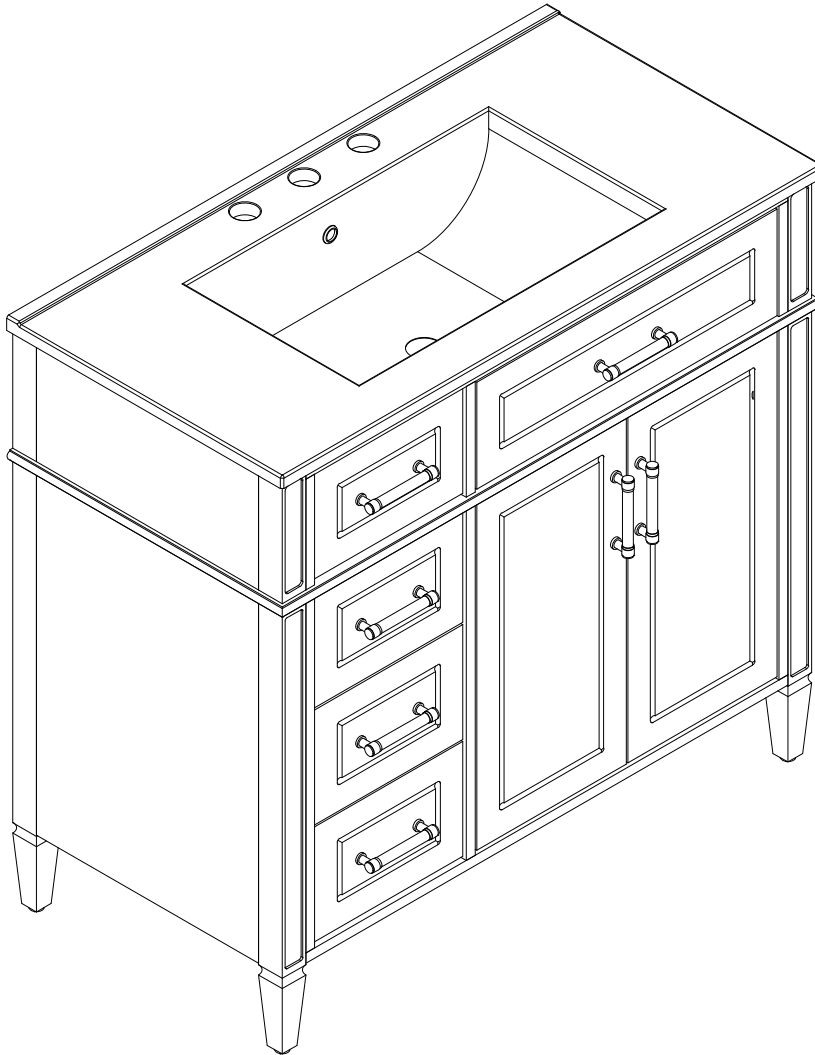


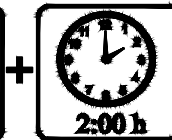
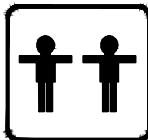
ASSEMBLY INSTRUCTIONS

36 INCHES BATH VANITY (COMBO)



Thank you for purchasing this quality product. Be sure to check all part material carefully for small parts which may have come loose inside carton during shipment. Separate, identify and count all parts and hardware. Compare with the parts list to be sure all parts are present, "DO NOT TIGHTEN SCREWS UNTIL COMPLETELY ASSEMBLED"

- * Use of power tool to assemble this product will invalidate any claim and damage this product making unsafe!!!
- * Please assemble on a clean soft surface to avoid damage.



Tools Requi



(Not included)

IMPORTANT:

PLEASE READ INSTRUCTION BEFORE STARTING THE ASSEMBLY

Before Installation

Important - Please read these instructions fully before starting assembly

Thank you for purchasing this quality product. Be sure to check all packing materials carefully for small parts, which may have come loose inside the carton during shipment. Identify and count all items according to the PARTS LIST and/or HARDWARE LIST shown below. Check you have all the components and tools listed on the following pages.

. We recommend that you assemble this product with the assistance of another person; this will make the assembly easier, and will help eliminate damage to the product or injury to persons during assembly.

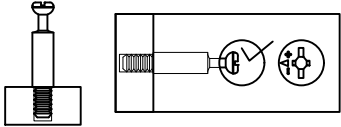
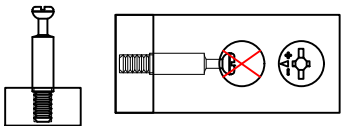
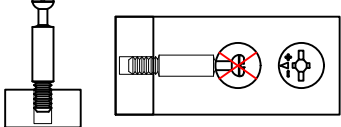
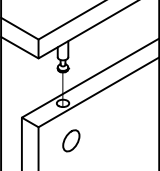
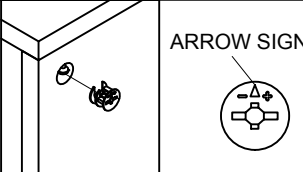
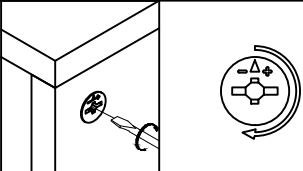
. Please do not over tighten screws or bolts until the assembly is completed.

. Keep children and animal away from the work area, small parts could choke if swallowed.

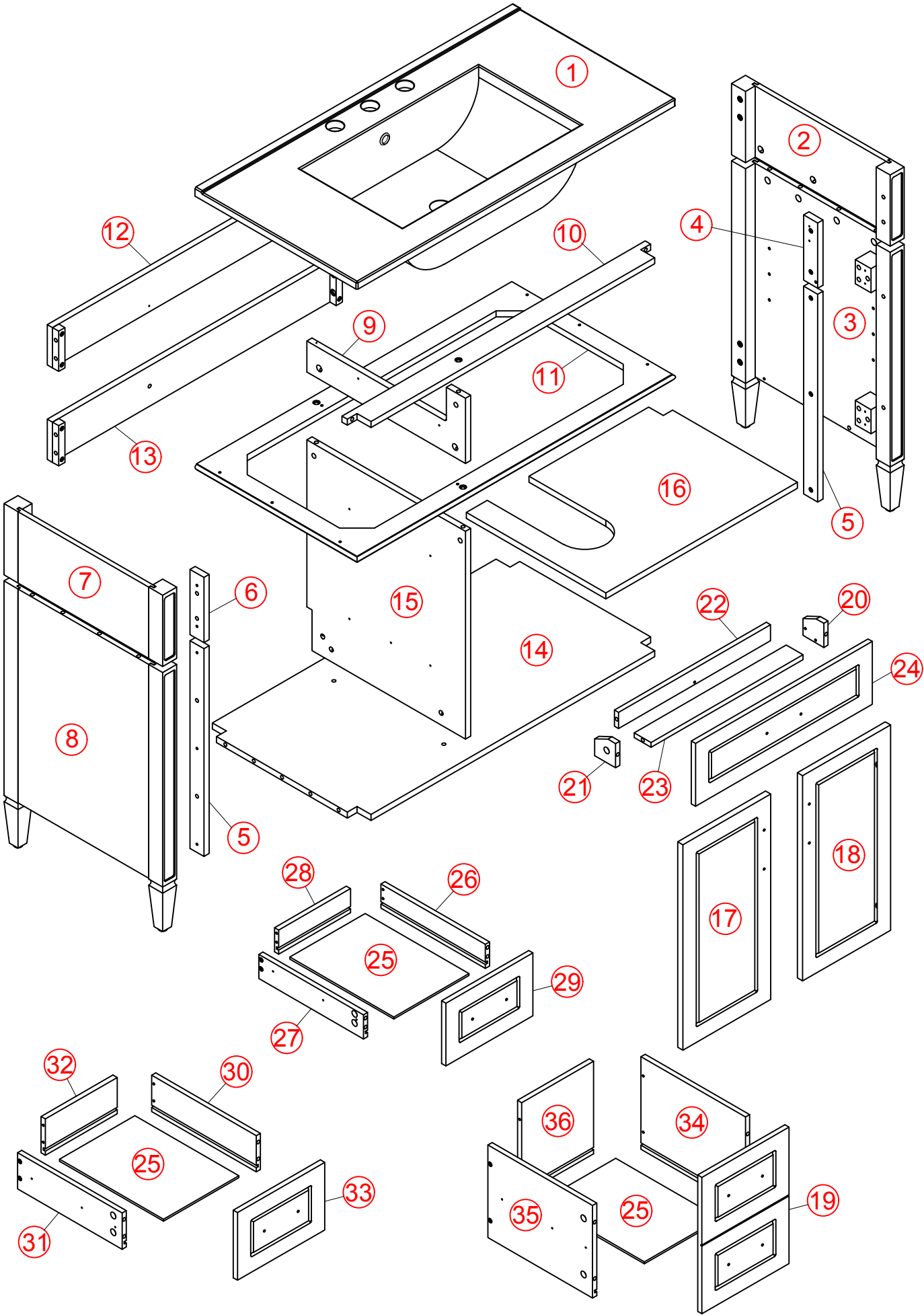
. Please put all parts on a non-abrasive floor before assembly, and follow the assembly steps to assemble your newly purchased product correctly and efficiently.

If you find that you have any trouble with assembly or missing or damaged parts please contact the seller.

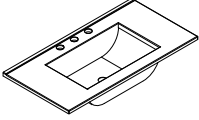

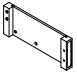
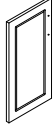
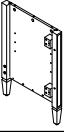
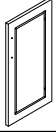

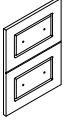

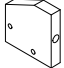

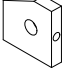
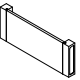
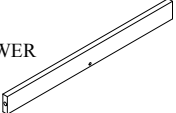
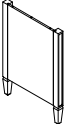
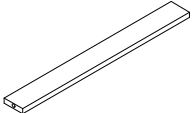
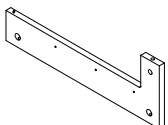
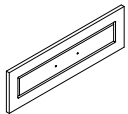
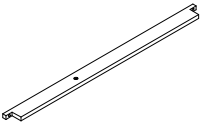
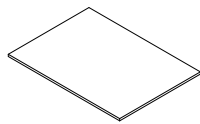
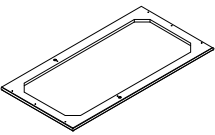
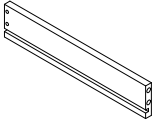
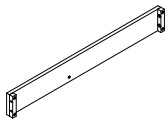
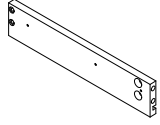
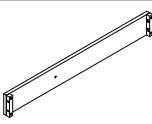
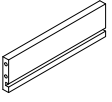
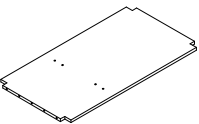
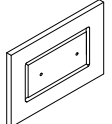
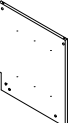
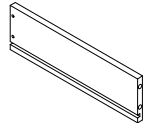
Cam Lock Assembly Instructions

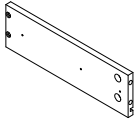
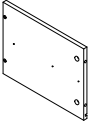
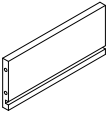
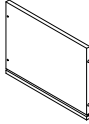
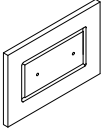
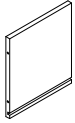
	Insert Cam Bolt into hole as shown in diagram A.
	Make sure not to insert the Cam Bolt too deep as shown in figure B as this will cause the Cam Lock to be misaligned and unable to interlock properly.
	Also avoid inserting the Cam Bolt too close to the surface of the hole as shown in figure C, as this will cause the Cam Lock to be too loose, and not interlock properly.
	Connect the panels together.
	Insert the Cam Lock so the side opening fits over the head of the Cam Bolt.
	To tighten the Cam Lock, turn it clockwise on half a turn with a flat screwdriver. <i>*Do not use an automatic screwdriver as it may bend or break if too much power is imposed.</i>

PRODUCT DETAILS







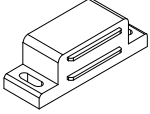
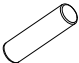
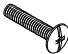
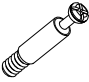
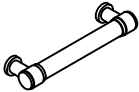

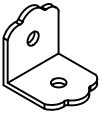

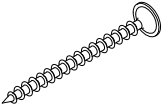


PARTS LIST

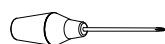
1	SINK (LAVABO)		1PC	16	SHELF		1PC
2	RIGHT HIP UP		1PC	17	LEFT DOOR PANEL		1PC
3	LOWER RIGHT HIP		1PC	18	RIGHT DOOR PANEL		1PC
4	TOP RIGHT SIDE BAR		1PC	19	DRAWER FACE 3		1PC
5	LOWER SIDE BAR		2PCS	20	RIGHT-TURN DRAWER SIDE		1PC
6	TOP LEFT SIDE BAR		1PC	21	LEFT-TURN DRAWER SIDE		1PC
7	LEFT HIP UP		1PC	22	BACK BOARD OF FLIP-UP DRAWER		1PC
8	LOWER LEFT HIP		1PC	23	FLIP-UP DRAWER BOTTOM		1PC
9	TOP PARTITION		1PC	24	FLIP-OFF DRAWER FRONT		1PC
10	FRONT HORIZONTAL BAR		1PC	25	DRAWER BOTTOM		3PCS
11	MIDDLE FRAME		1PC	26	RIGHT DRAWER SIDE 1		1PC
12	TOP BAR		1PC	27	LEFT DRAWER SIDE 1		1PC
13	LOWER HORIZONTAL BAR		1PC	28	BACK BOARD OF DRAWER 1		1PC
14	BOTTOM BOARD		1PC	29	DRAWER FACE 1		1PC
15	LOWER PARTITION		1PC	30	LEFT DRAWER SIDE 2		1PC

31	RIGHT DRAWER SIDE 2		1PC	34	RIGHT DRAWER SIDE 3		1PC
32	BACK BOARD OF DRAWER 2		1PC	35	RIGHT DRAWER SIDE 3		1PC
33	DRAWER FACE 2		1PC	36	BACK BOARD OF DRAWER 3		1PC


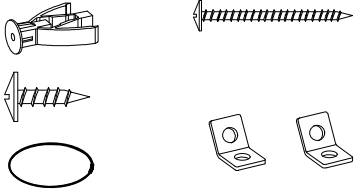


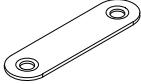

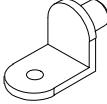

HARDWARE LIST

A	A1 : D300MM		3SETS	H	M6*30MM		10PCS
	A2 : D300MM						
B	3.5*10MM		42PCS	I	3.5*15MM		30PCS
C	M4*25MM		10PCS	J	L45MM		3PCS
D	Ø 8 * 30MM		8PCS	K	M4*20MM		14PCS
E	Ø5*35MM		41PCS	L	L110MM		7PCS
F	Ø 15*10MM		41PCS	M	L22MM		1PC
G	M6*50MM		6SETS	N	M4*50MM		12PCS

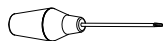
ASSEMBLY TOOLS REQUIRED (NOT INCLUDED)



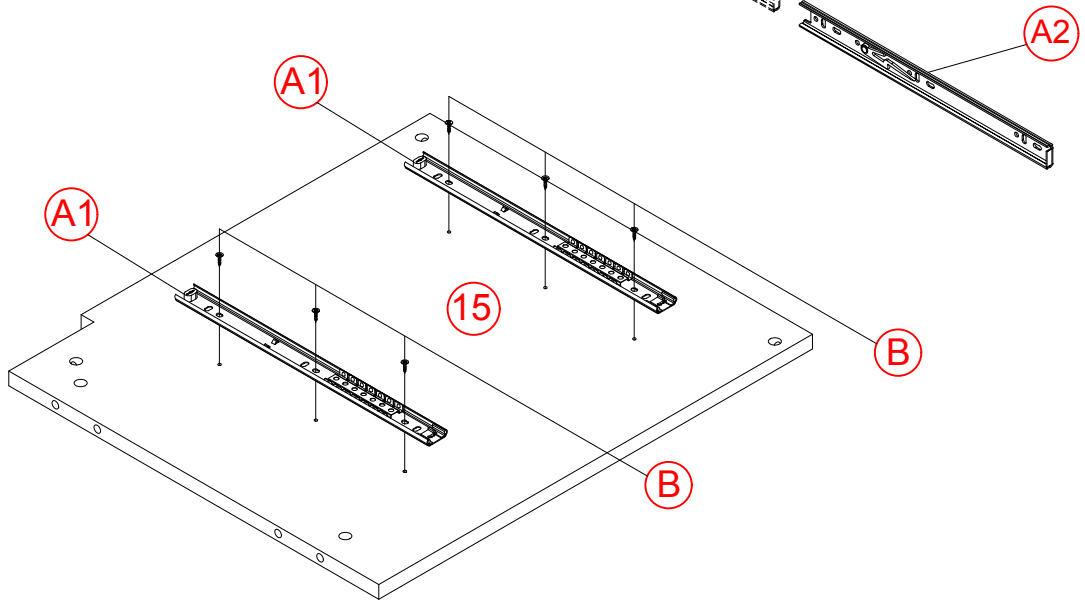
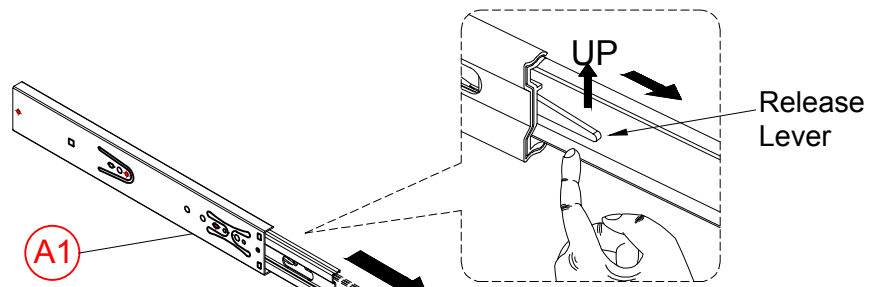
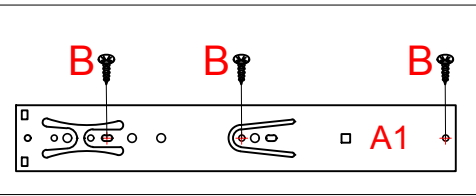
HARDWARE LIST

Ⓞ	Ø 10*10MM		12PCS	Ⓣ		2SETS	
Ⓟ	HINGES		4PCS	Ⓤ	L4*58MM		1PC
Ⓠ	L 45MM		3PCS	Ⓥ	HANDLE		1PC
Ⓡ	L 15MM		6PCS				
Ⓢ	3.5*12MM		12PCS				

ASSEMBLY TOOLS REQUIRED (NOT INCLUDED)

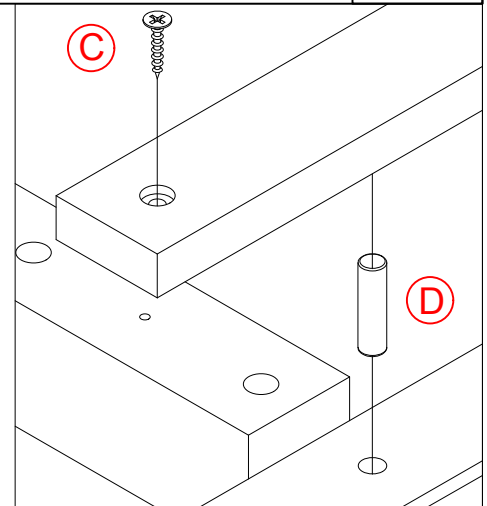
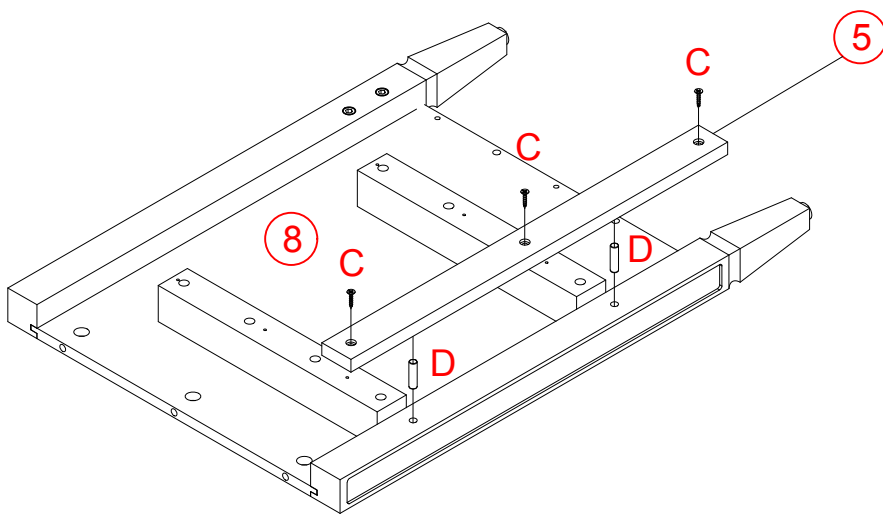


STEP 1



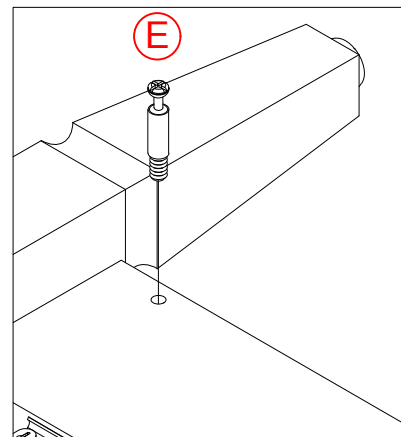
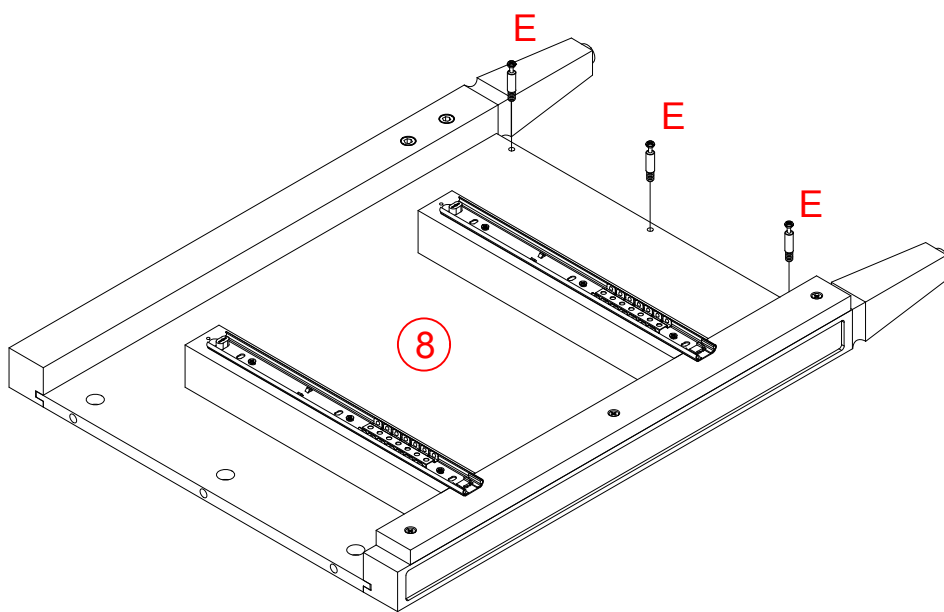
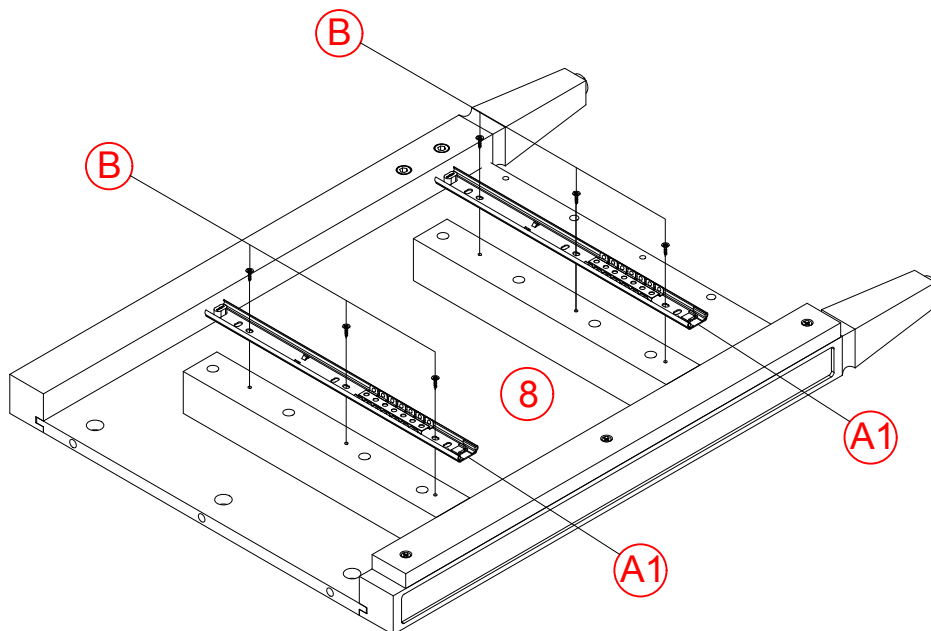
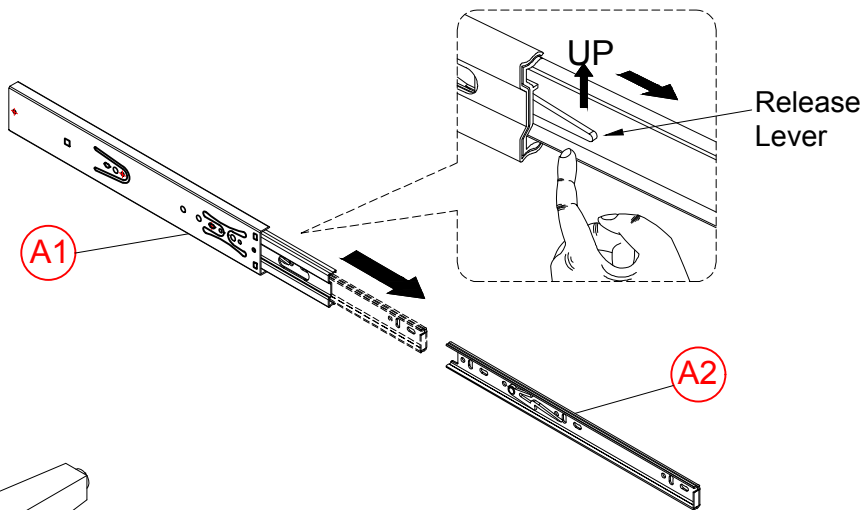
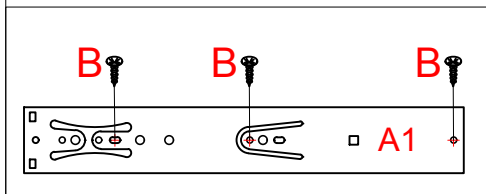
<p>(A)</p>	<p>L45*300MM</p> 	<p>2PCS</p>	<p>(B)</p>	<p>3.5*10MM</p> 	<p>6PCS</p>
------------	--	-------------	------------	---	-------------

STEP 2




<p>(C)</p>	<p>M4*25MM</p> 	<p>3PCS</p>	<p>(D)</p>	<p>Ø 8 * 30MM</p> 	<p>2PCS</p>
------------	--	-------------	------------	---	-------------

STEP 3

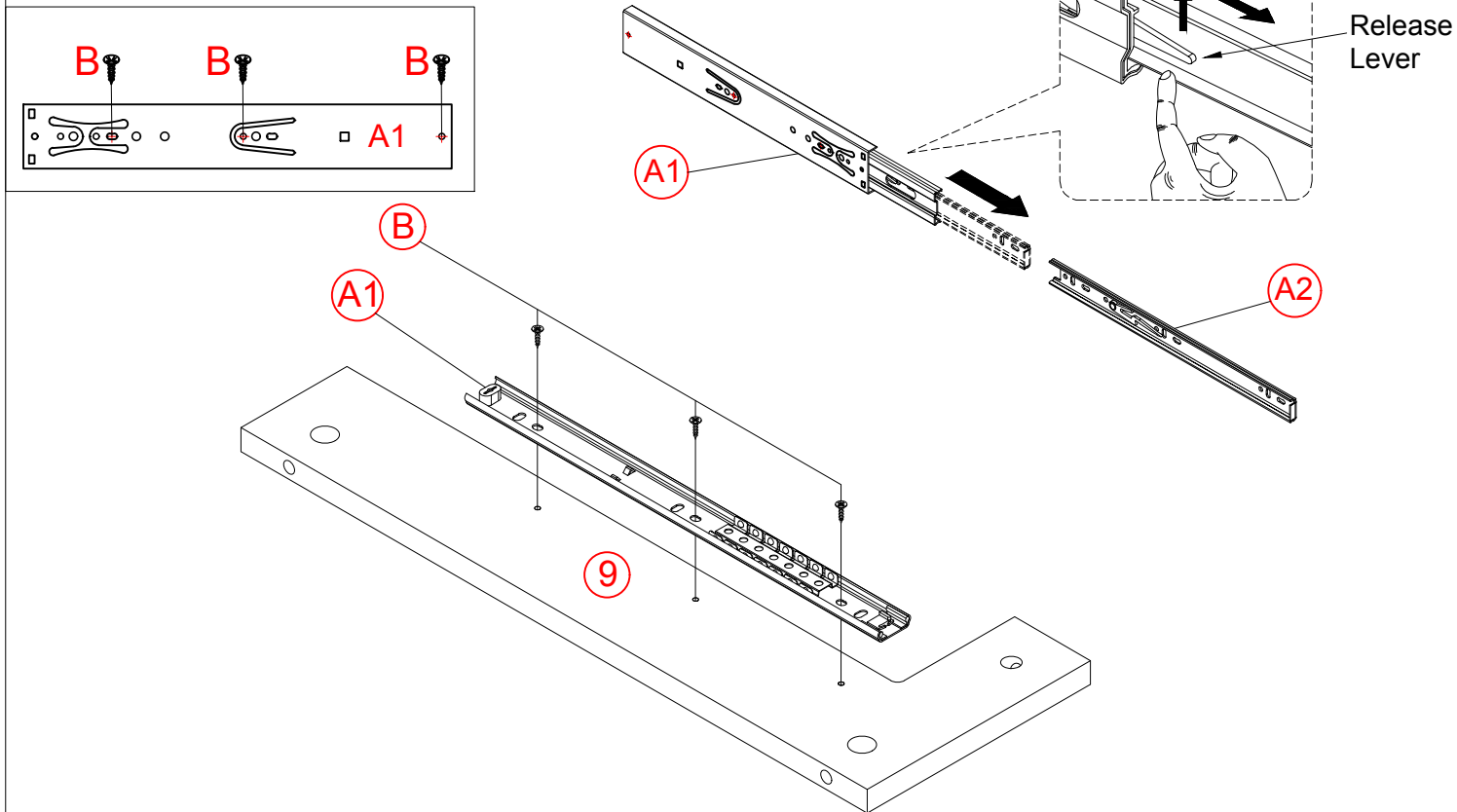




<p>Ⓔ</p>	<p>Ø5*35MM</p> 	<p>3PCS</p>
----------	--	-------------

<p>Ⓐ</p>	<p>L45*300MM</p> 	<p>2PCS</p>
----------	--	-------------

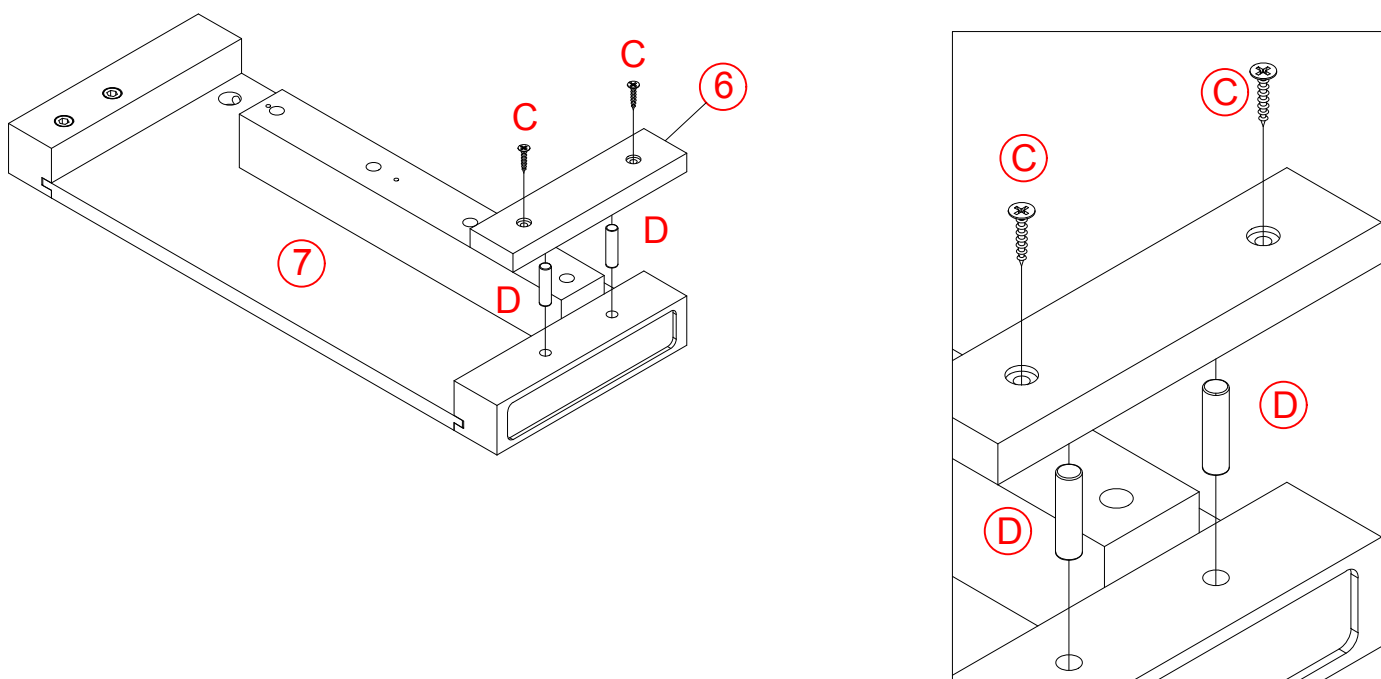
<p>Ⓑ</p>	<p>3.5*10MM</p> 	<p>6PCS</p>
----------	---	-------------

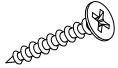
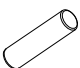
STEP 4



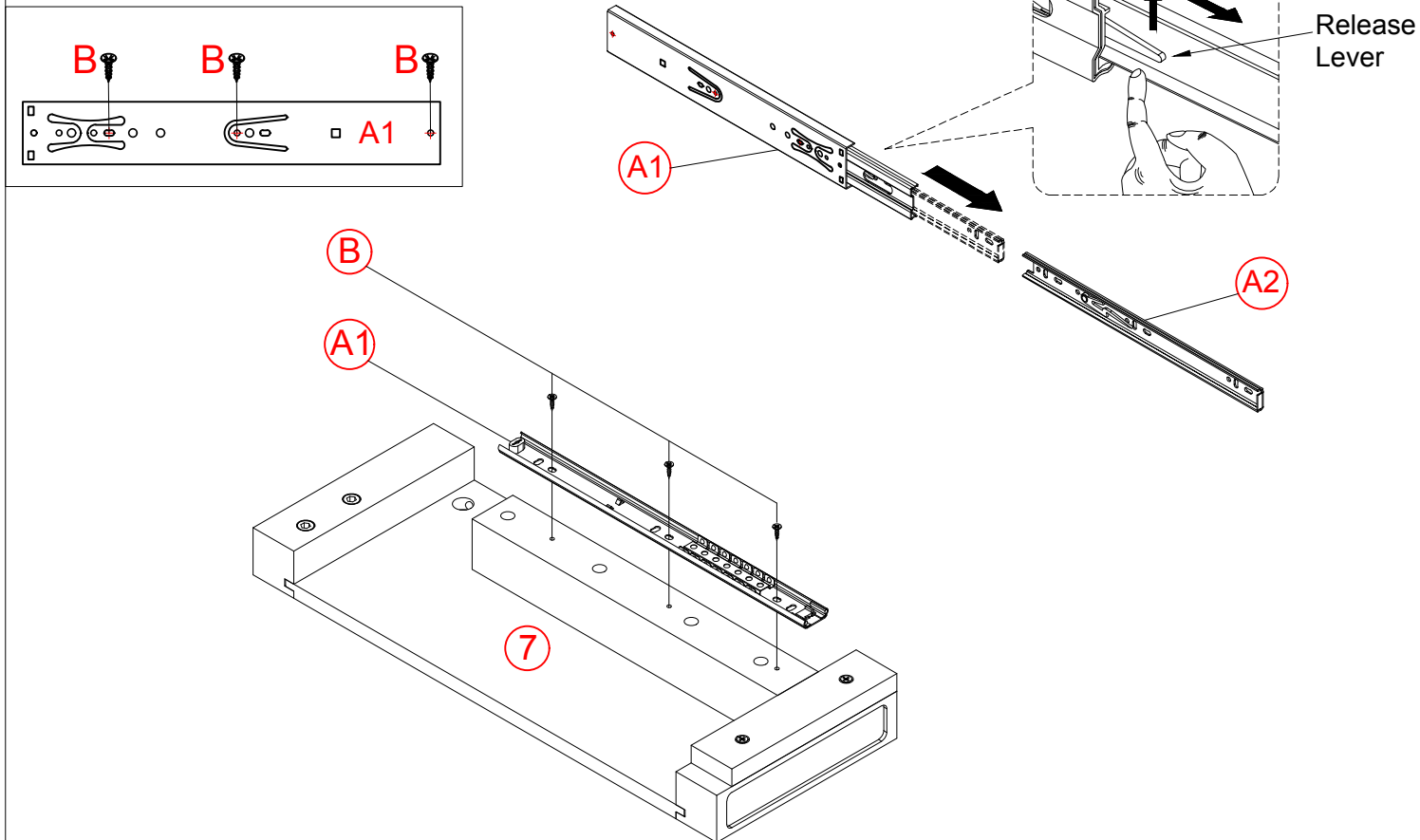
<p>(A)</p>	<p>L45*300MM</p> 	<p>1PC</p>	<p>(B)</p>	<p>3.5*10MM</p> 	<p>3PCS</p>
------------	--	------------	------------	---	-------------

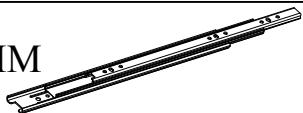

STEP 5



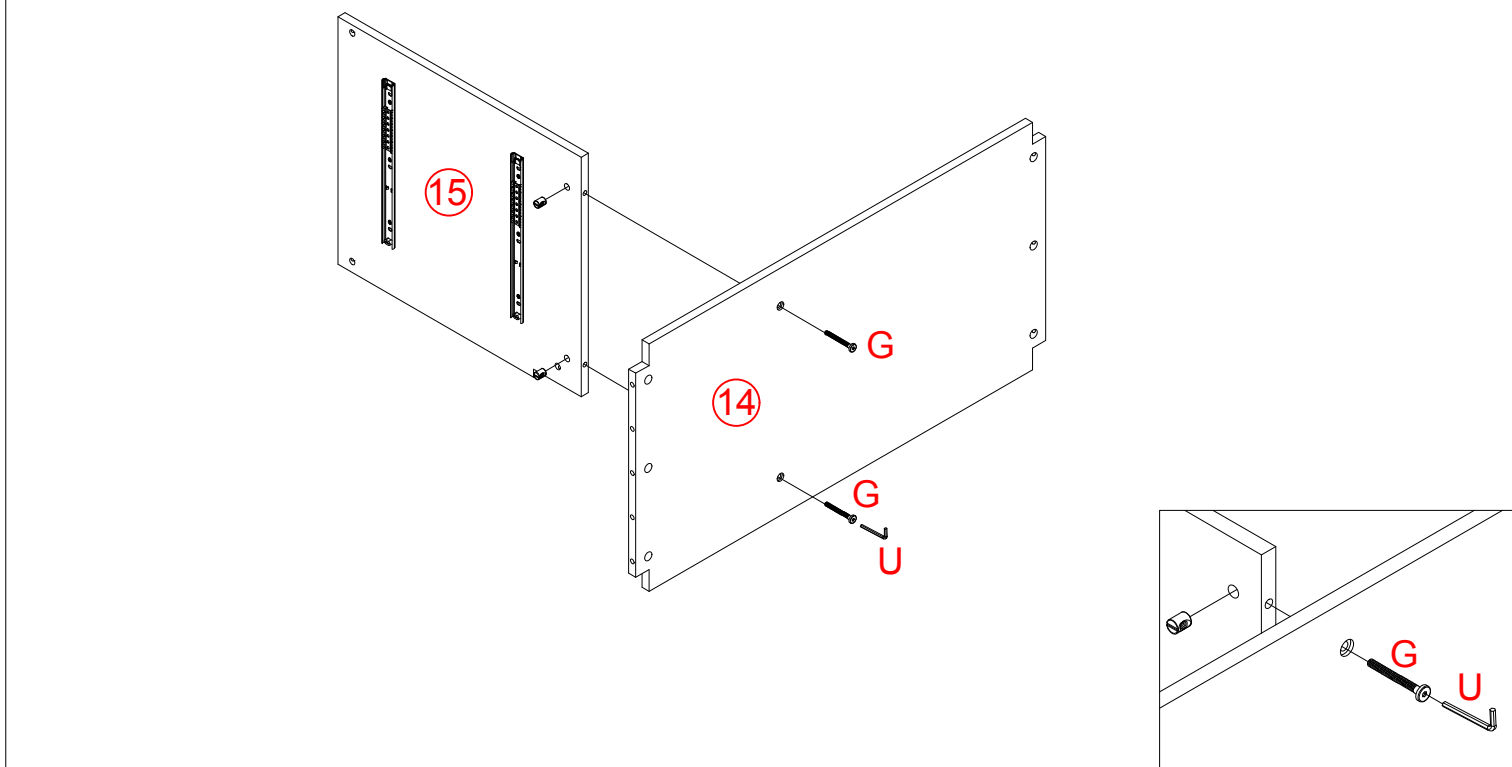
<p>(C)</p>	<p>4*25MM</p> 	<p>2PCS</p>	<p>(D)</p>	<p>Ø 8 * 30MM</p> 	<p>2PCS</p>
------------	---	-------------	------------	---	-------------



STEP 6



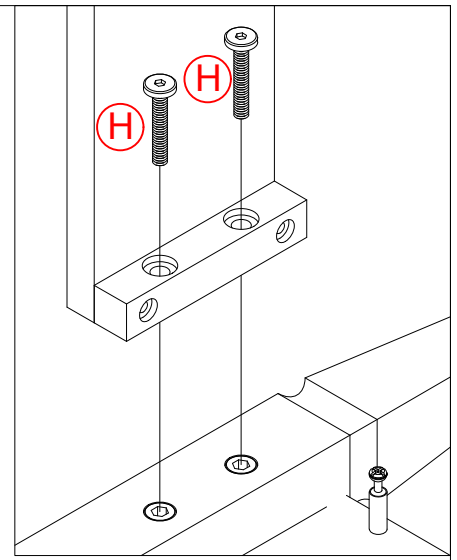
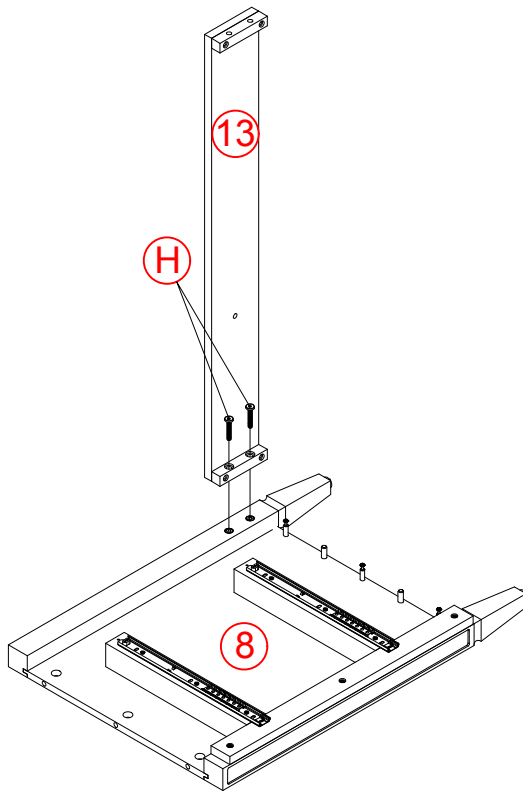
<p>(A)</p>	<p>L45*300MM</p> 	<p>1PC</p>	<p>(B)</p>	<p>3.5*10MM</p> 	<p>3PCS</p>
------------	--	------------	------------	---	-------------

STEP 7



<p>(G)</p>	<p>M6*50MM</p> 	<p>2SETS</p>	<p>(U)</p>	<p>L4*58MM</p> 	<p>1PC</p>
------------	--	--------------	------------	--	------------

STEP 8



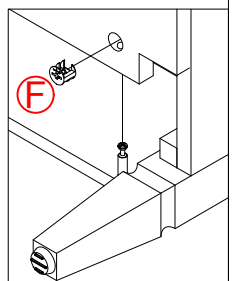
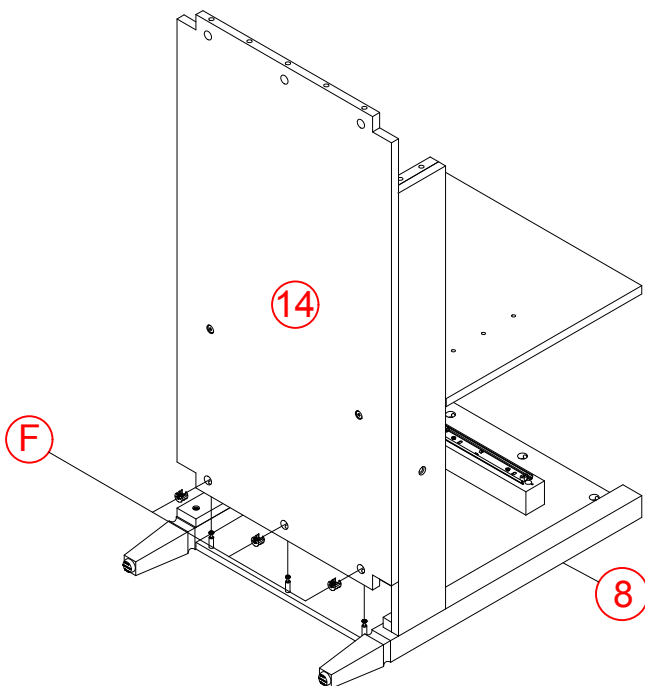
(H)

M6*30MM



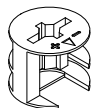
2PCS

STEP 9



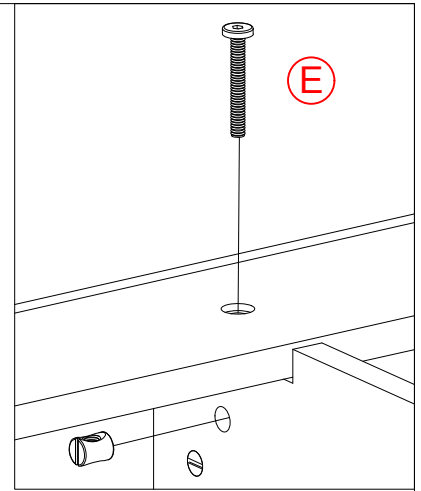
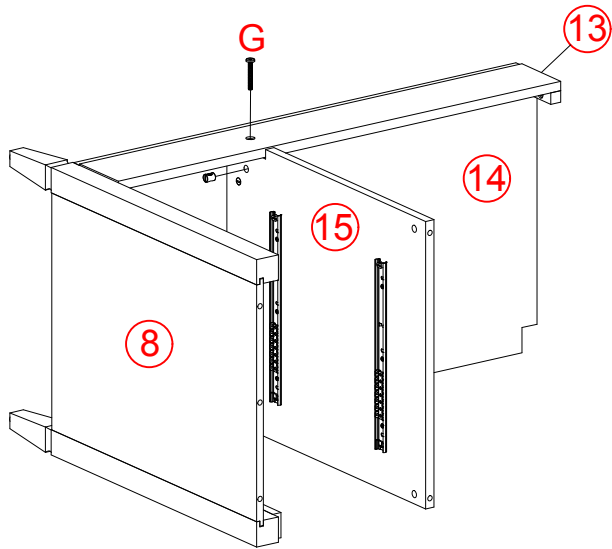
(F)

Ø 15MM



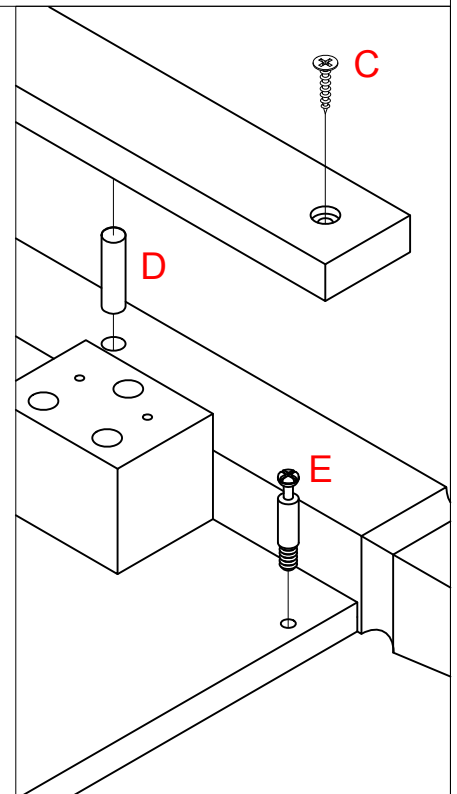
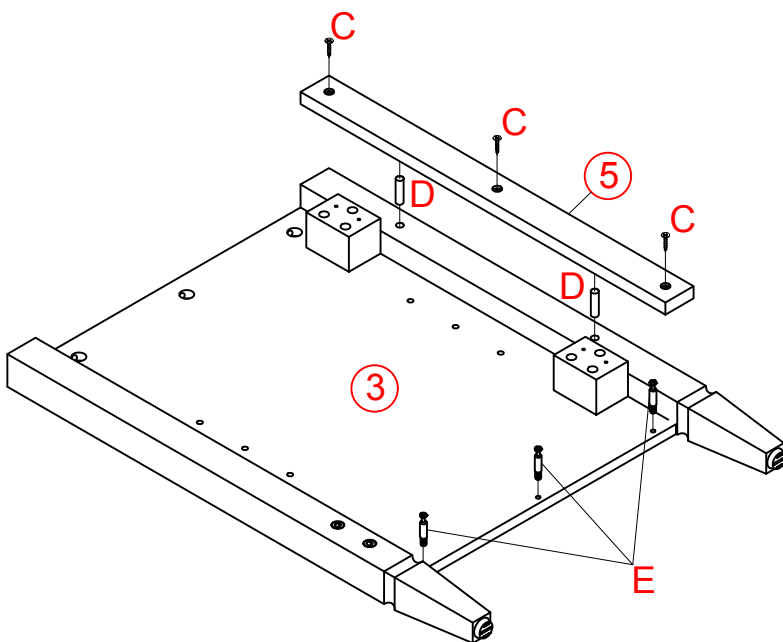
3PCS

STEP 10



<p>Ⓒ</p>	<p>M6*50MM  1SET</p>
----------	---

STEP 11

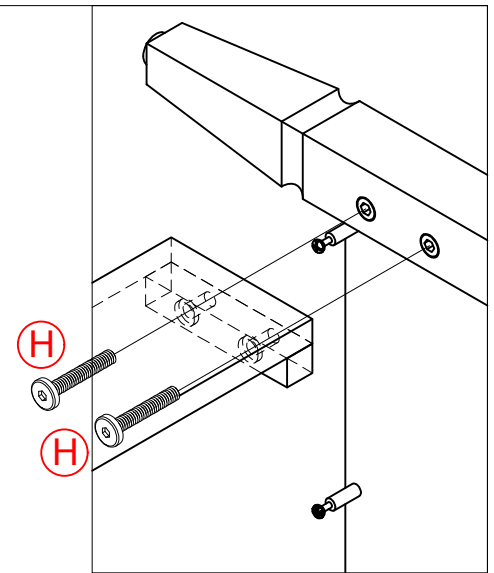
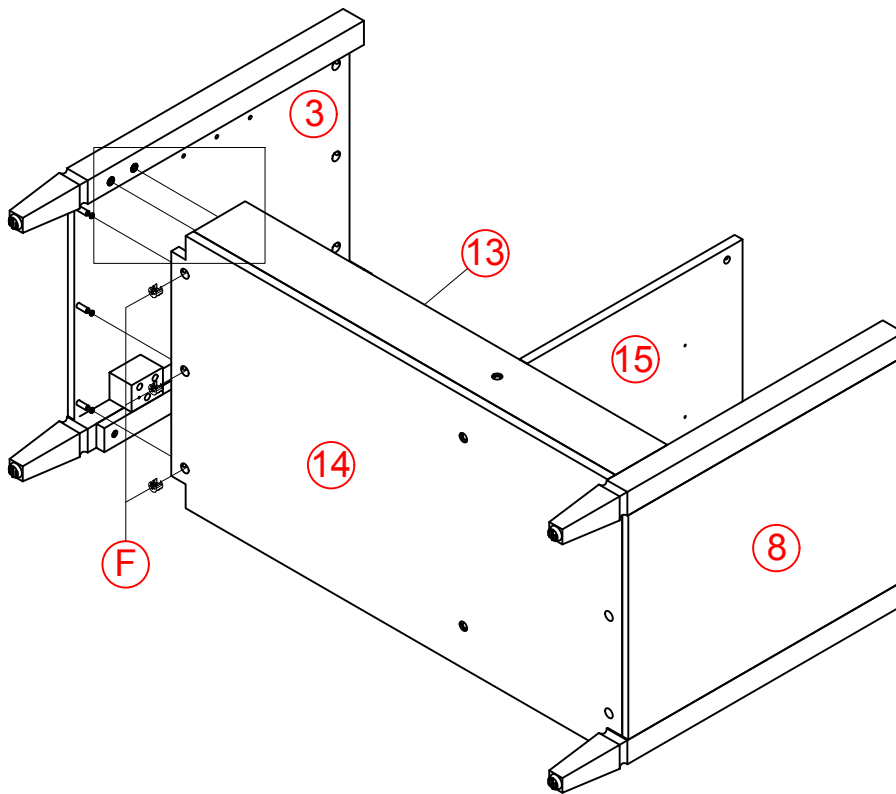


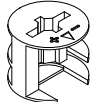

<p>Ⓔ</p>	<p>Ø5*35MM  3PCS</p>
----------	---

<p>Ⓒ</p>	<p>4*25MM  3PCS</p>
----------	--

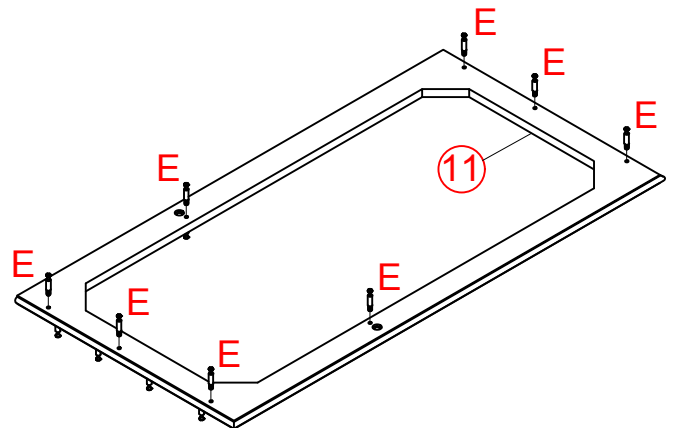
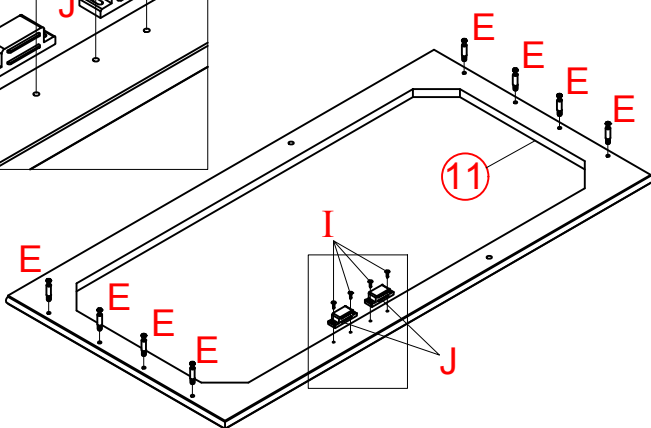
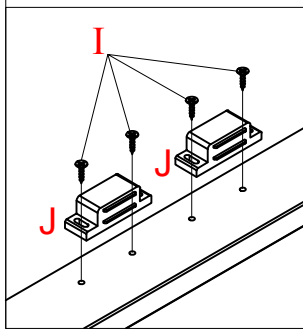
<p>Ⓓ</p>	<p>Ø 8 * 30MM  2PCS</p>
----------	--


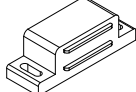

STEP 12



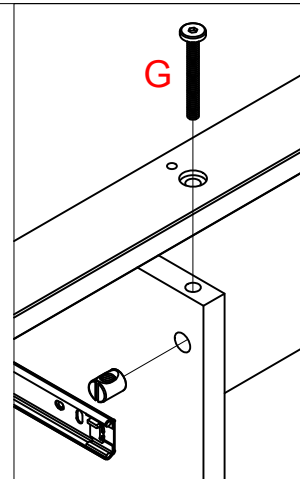
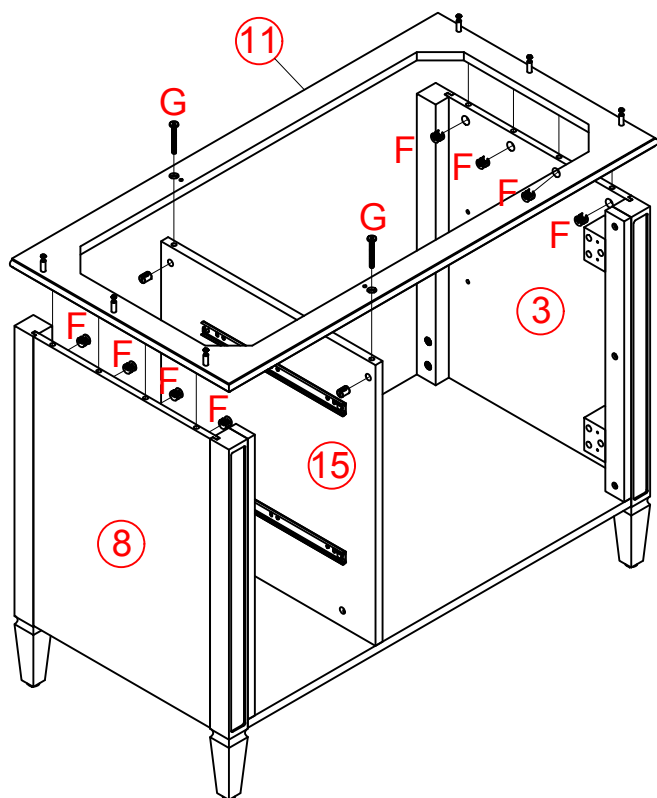
<p>ⓕ</p>	<p>Ø 15MM</p>		<p>3PCS</p>	<p>ⓗ</p>	<p>M6*30MM</p>		<p>2PCS</p>
----------	---------------	---	-------------	----------	----------------	---	-------------

STEP 13



<p>Ⓢ</p>	<p>3.5*15MM</p>		<p>4PCS</p>	<p>ⓙ</p>	<p>L45MM</p>		<p>2PCS</p>	<p>Ⓔ</p>	<p>Ø5*35MM</p>		<p>16PCS</p>
----------	-----------------	---	-------------	----------	--------------	---	-------------	----------	----------------	---	--------------

STEP 14



F

Ø 15MM



8PCS

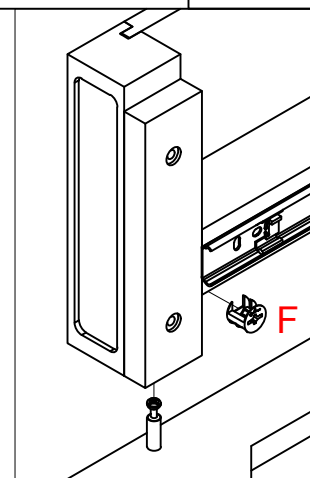
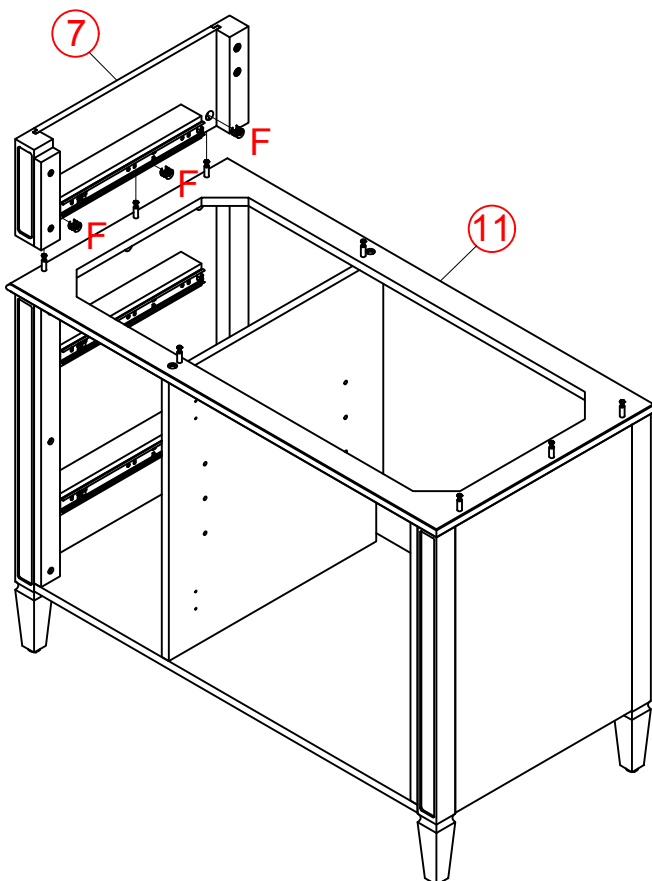
G

M6*50MM



2SETS

STEP 15



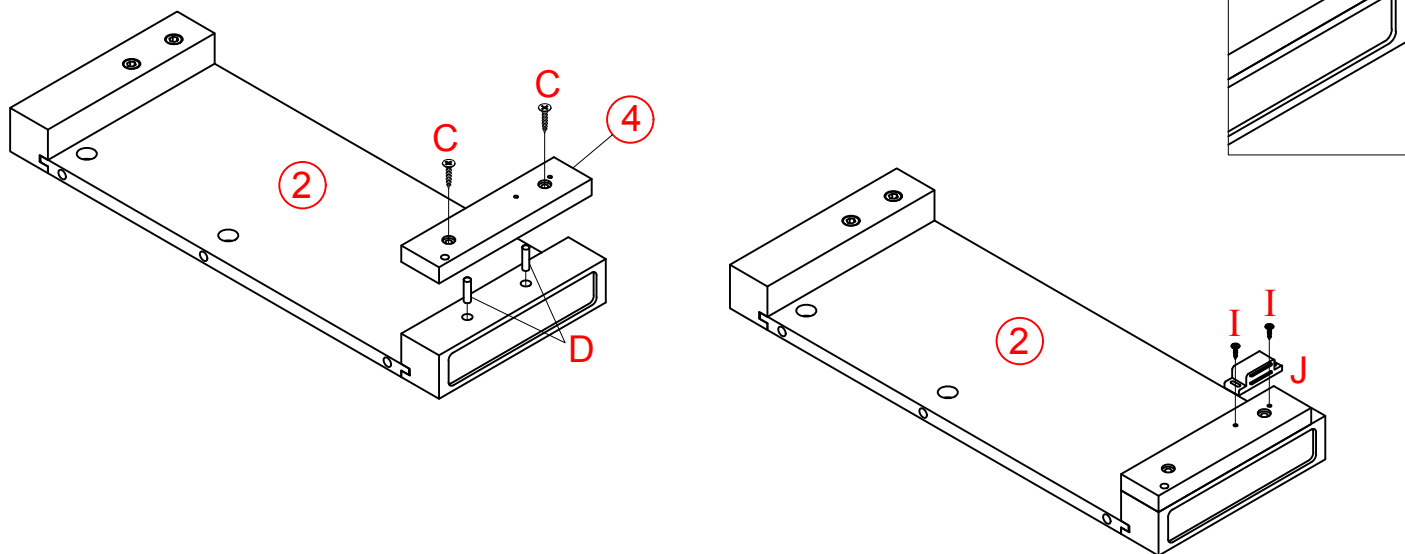
F

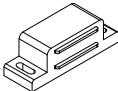
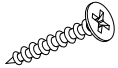
Ø 15MM





3PCS

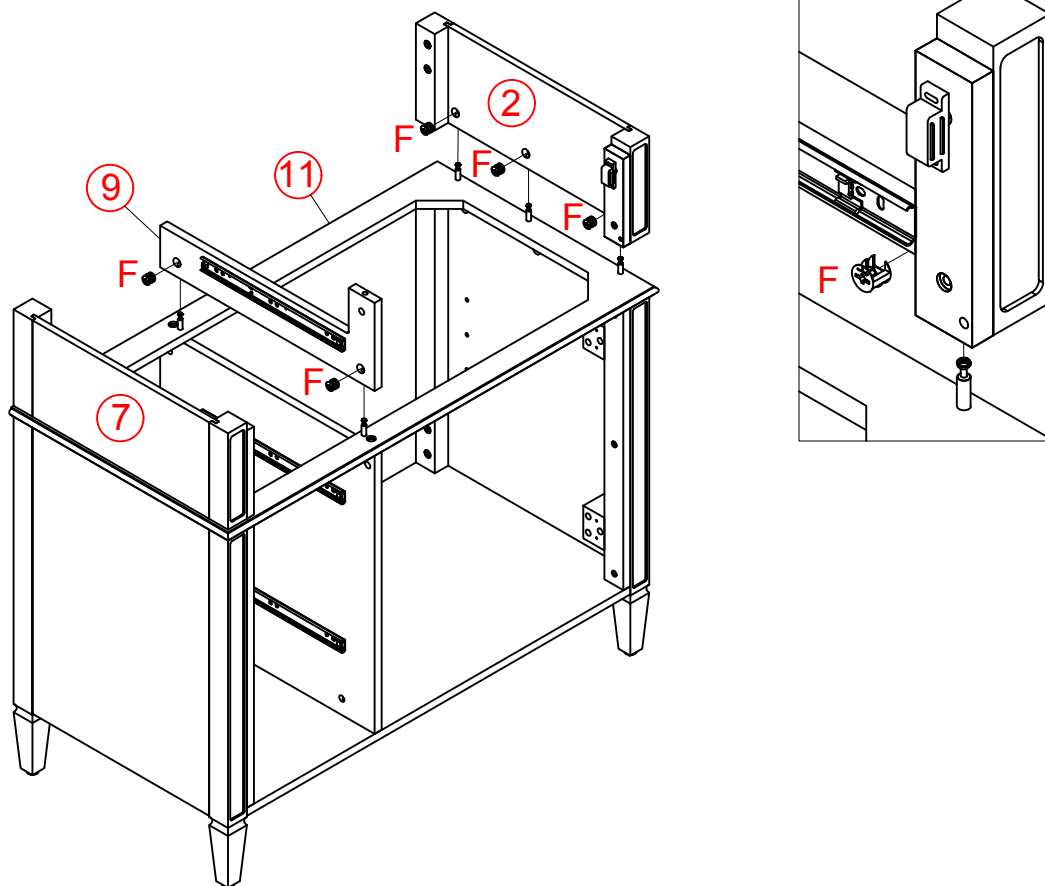
STEP 16




<p>ⓐ</p>	<p>L45MM</p>		<p>1PC</p>
<p>ⓐ</p>	<p>4*25MM</p>		<p>2PCS</p>

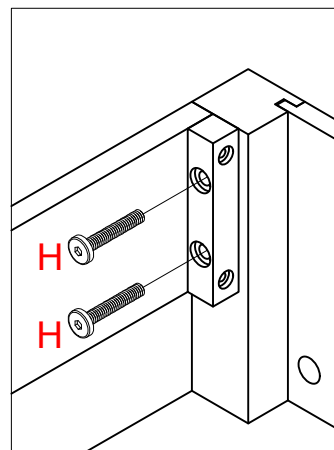
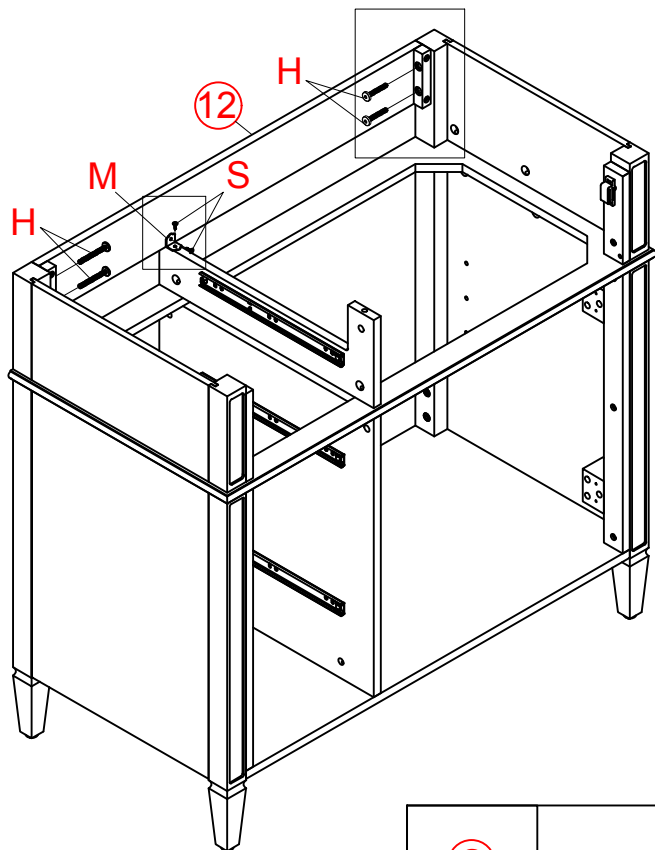
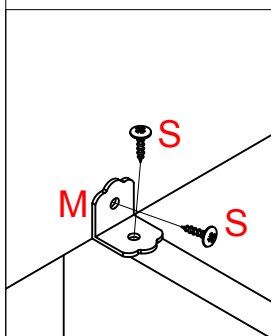
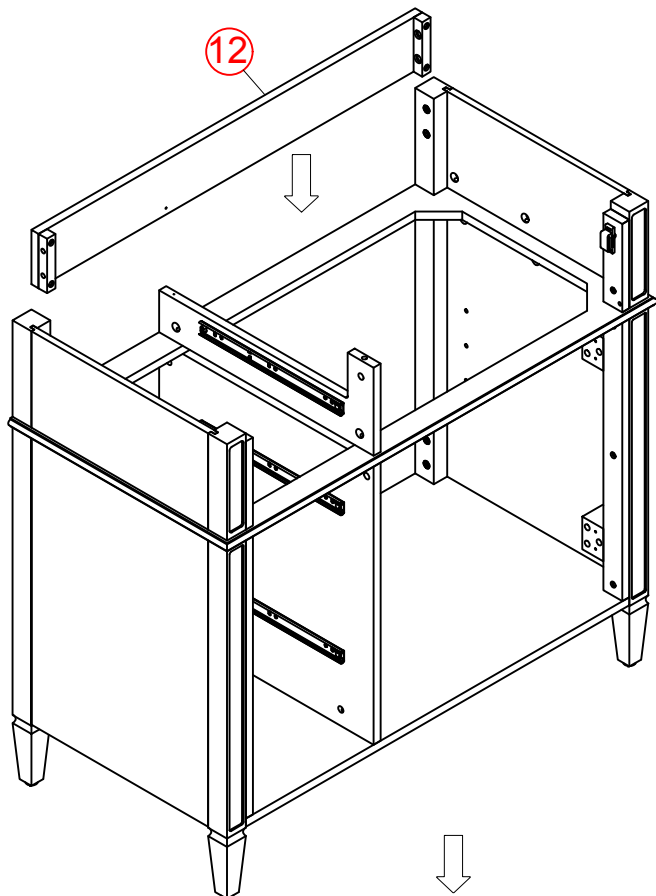
<p>ⓐ</p>	<p>3.5*15MM</p>		<p>2PCS</p>
<p>ⓐ</p>	<p>Ø 8 * 30MM</p>		<p>2PCS</p>




STEP 17



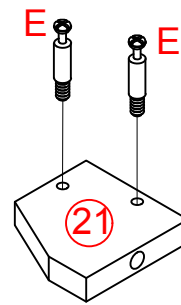
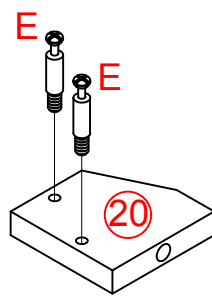
<p>ⓐ</p>	<p>Ø 15MM</p>		<p>5PCS</p>
----------	---------------	---	-------------

STEP 18



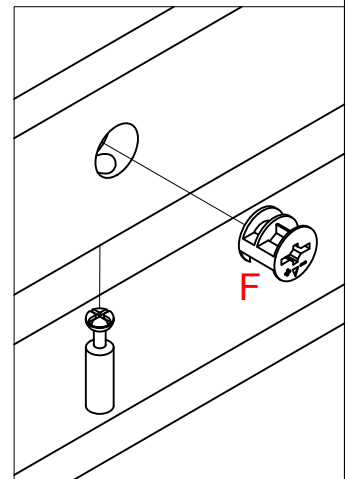
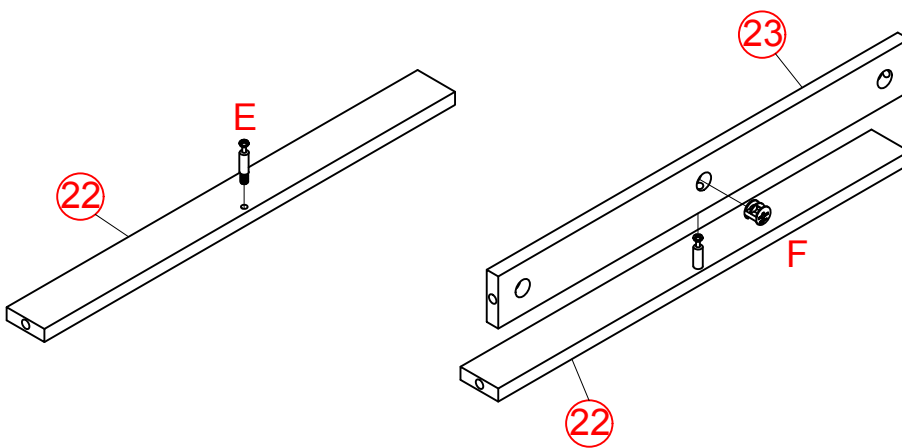
			<p>(S)</p>	<p>3.5*12MM</p>	 <p>2PCS</p>
<p>(H)</p>	<p>M6*30MM</p>	 <p>4PCS</p>	<p>(M)</p>	 	<p>1PC</p>

STEP 19





	Ø5*35MM	 4PCS
--	---------	--

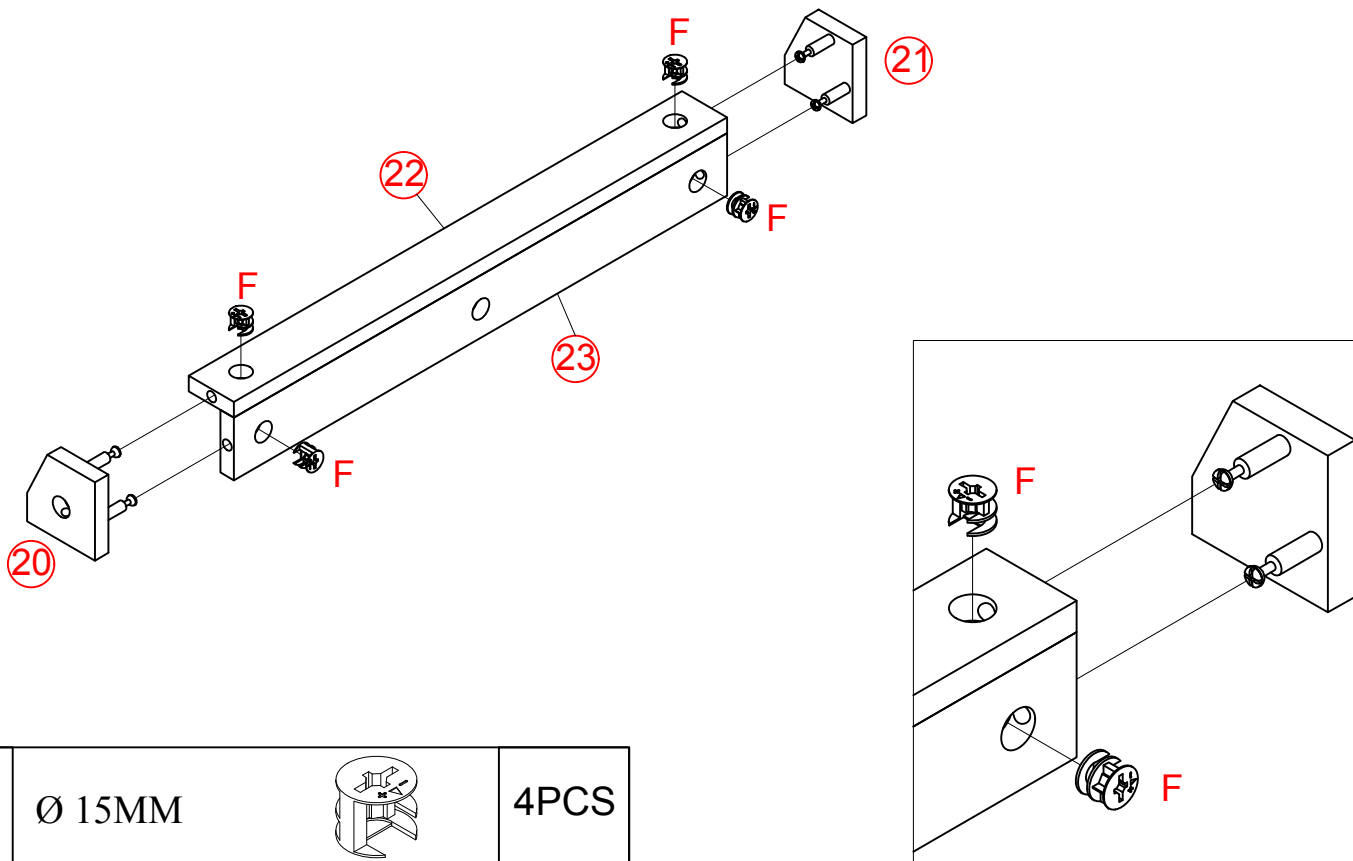
STEP 20

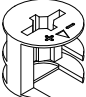


	Ø5*35MM	 1PC
--	---------	---

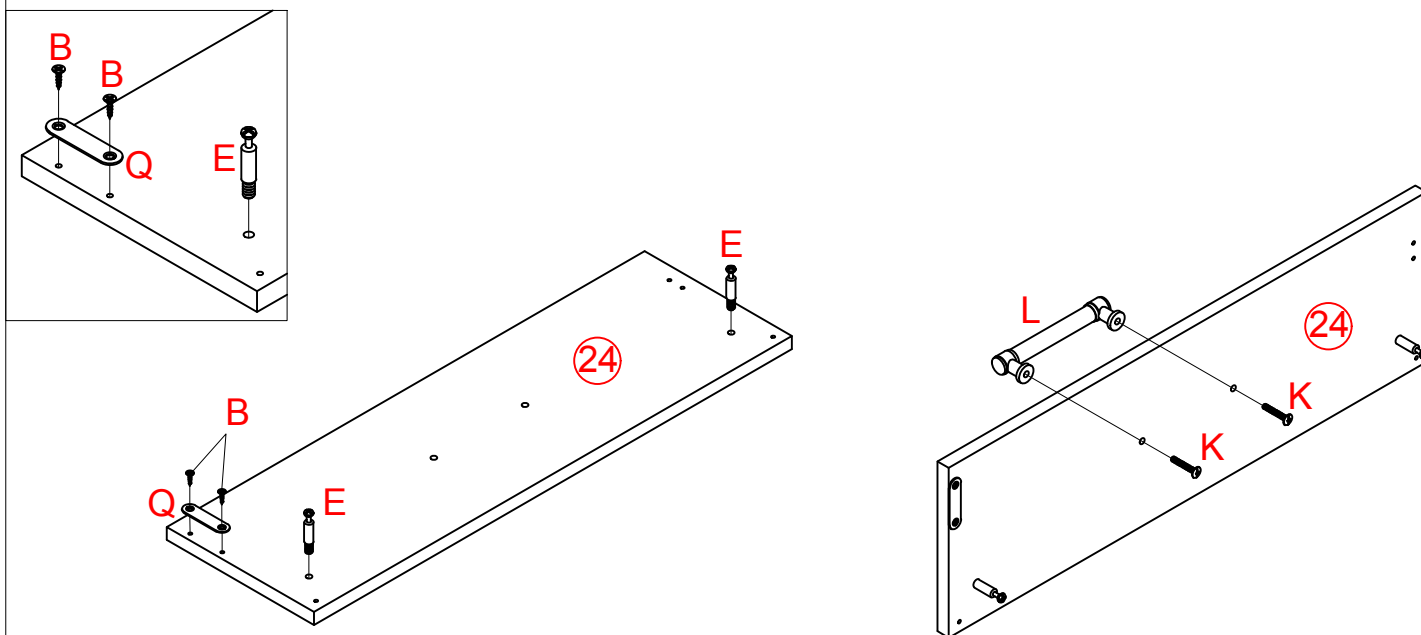
	Ø 15MM	 1PC
---	--------	---

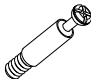
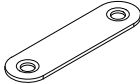
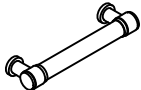
STEP 21


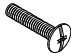


(F)	Ø 15MM		4PCS
-----	--------	---	------

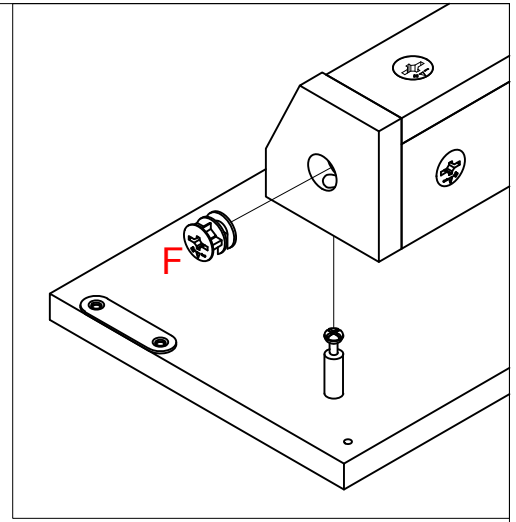
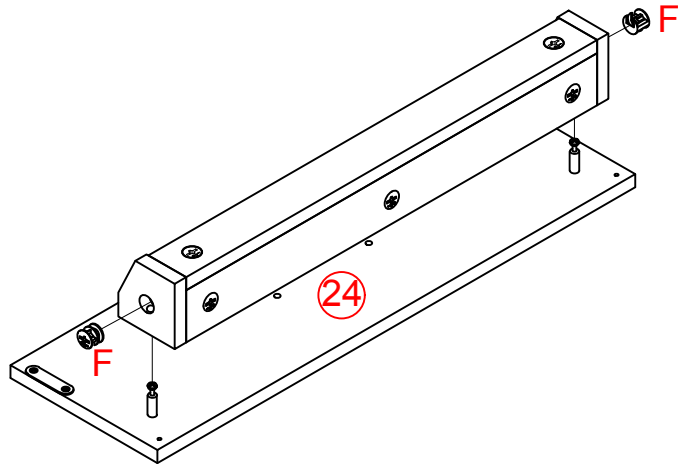
STEP 22




(E)	Ø5*35MM		2PCS
(Q)	L 45MM		1PC
(L)	L 110MM		1PC

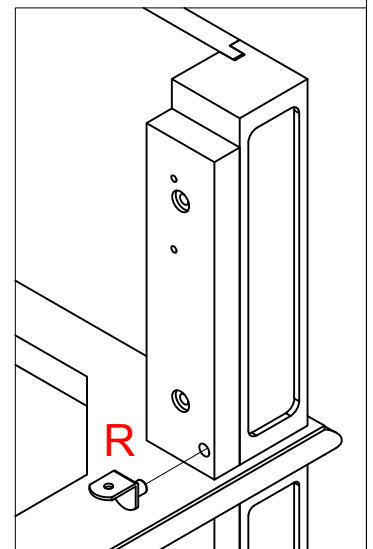
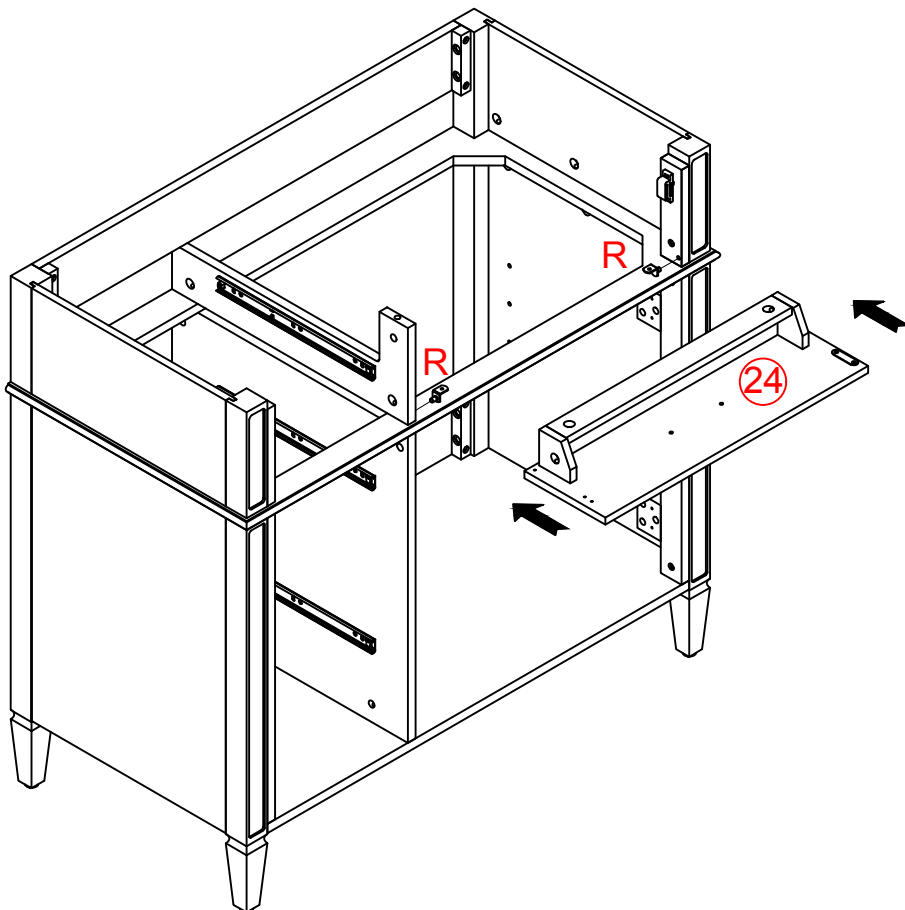
(B)	3.5*10MM		2PCS
(K)	M4*20MM		2PCS

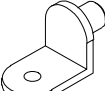
STEP 23



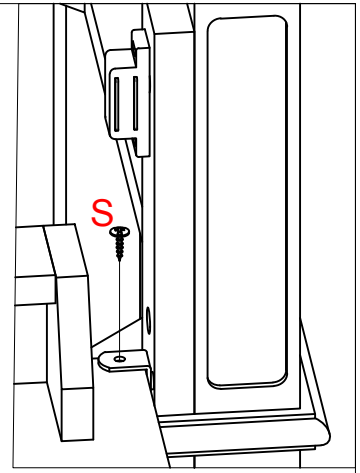
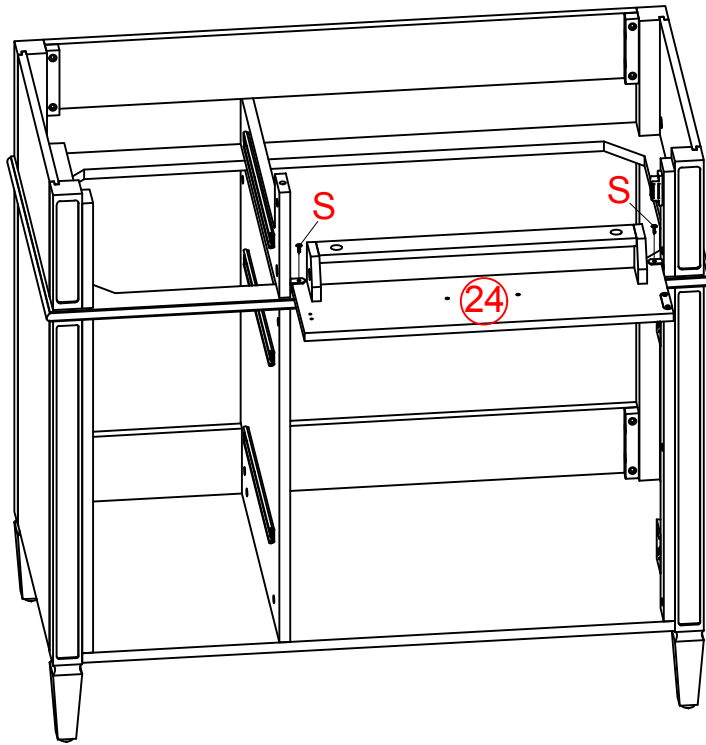
F	Ø 15MM		2PCS
----------	--------	---	------

STEP 24



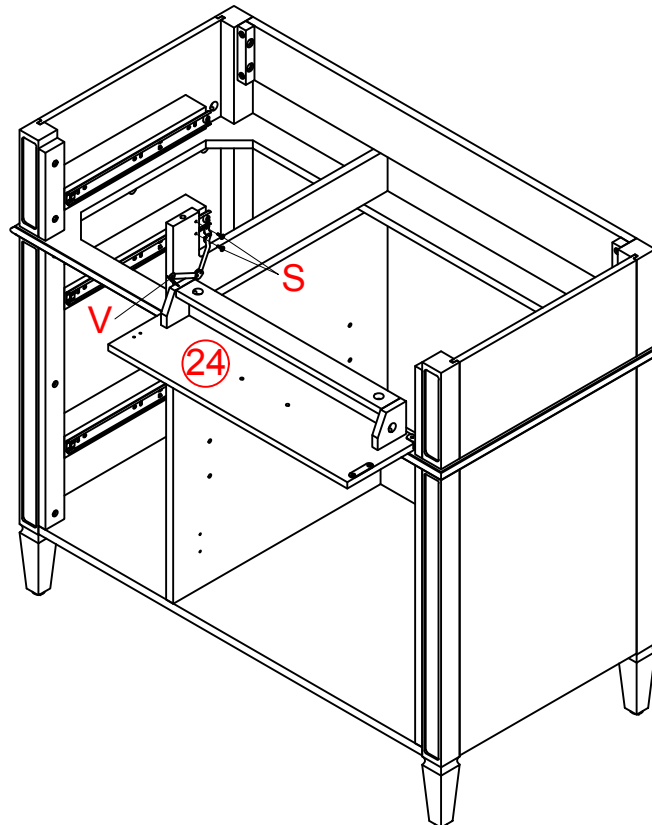
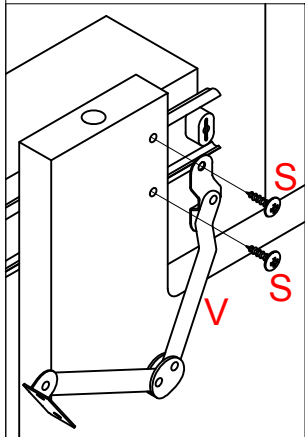
R	L 15MM		2PCS
----------	--------	---	------

STEP 25



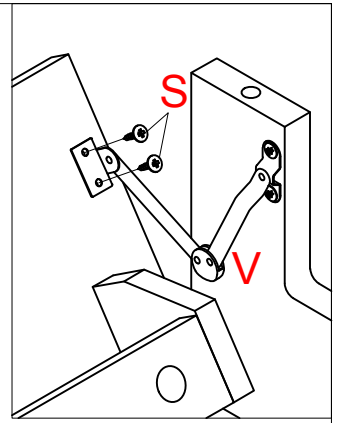
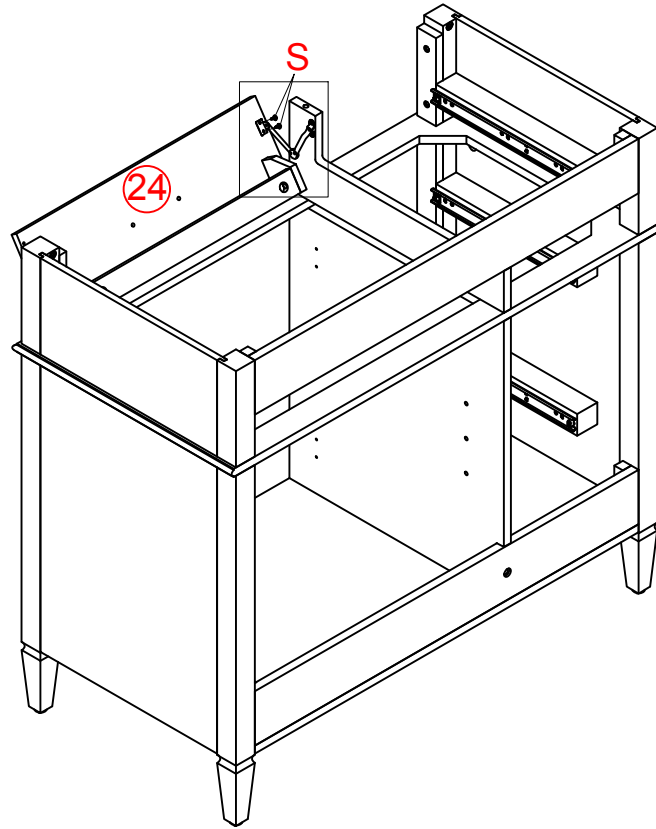
	<p>3.5*12MM</p>	<p>2PCS</p>
--	-----------------	-------------

STEP 26



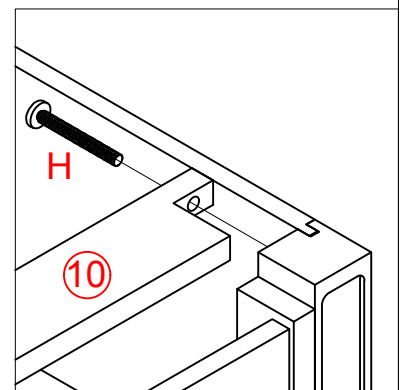
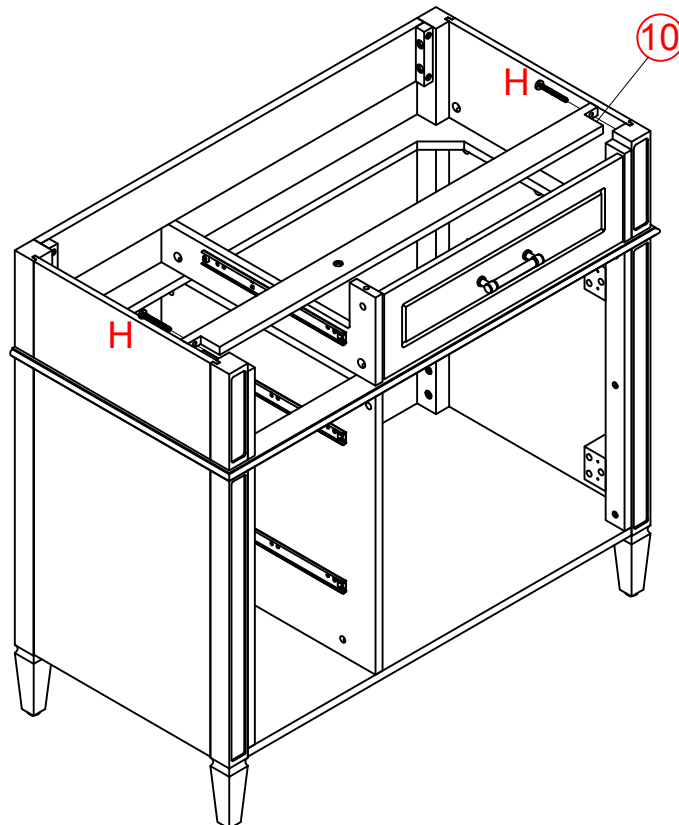
	<p>HANDLE</p>	<p>1PC</p>		<p>3.5*12MM</p>	<p>2PCS</p>
--	---------------	------------	--	-----------------	-------------

STEP 27



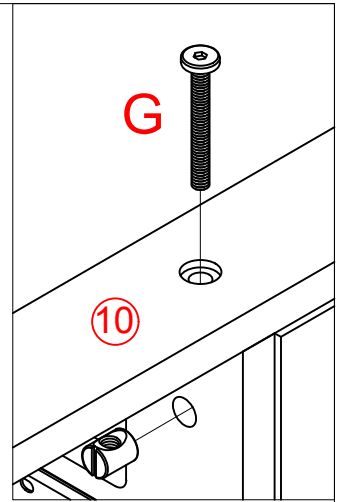
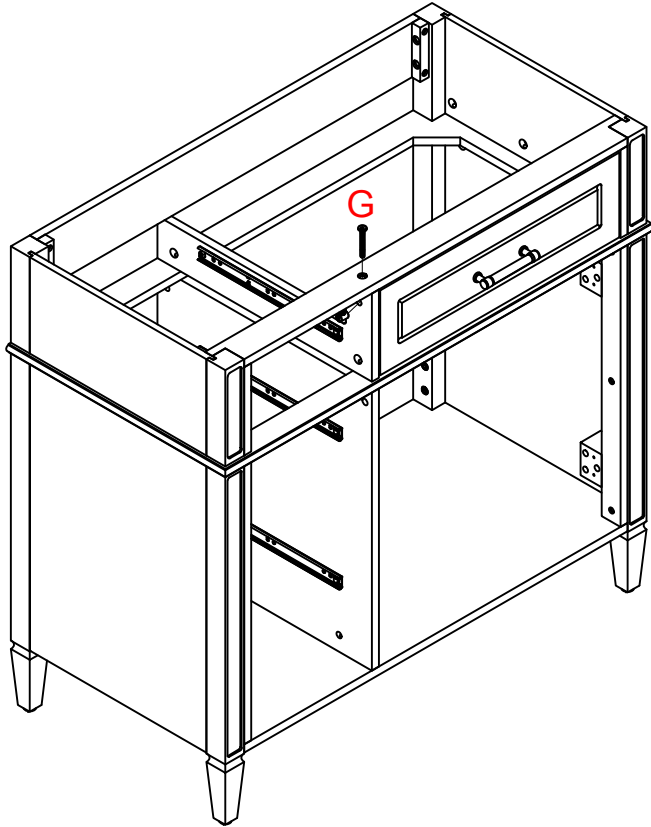
Ⓢ	3.5*12MM		2PCS
---	----------	---	------

STEP 28



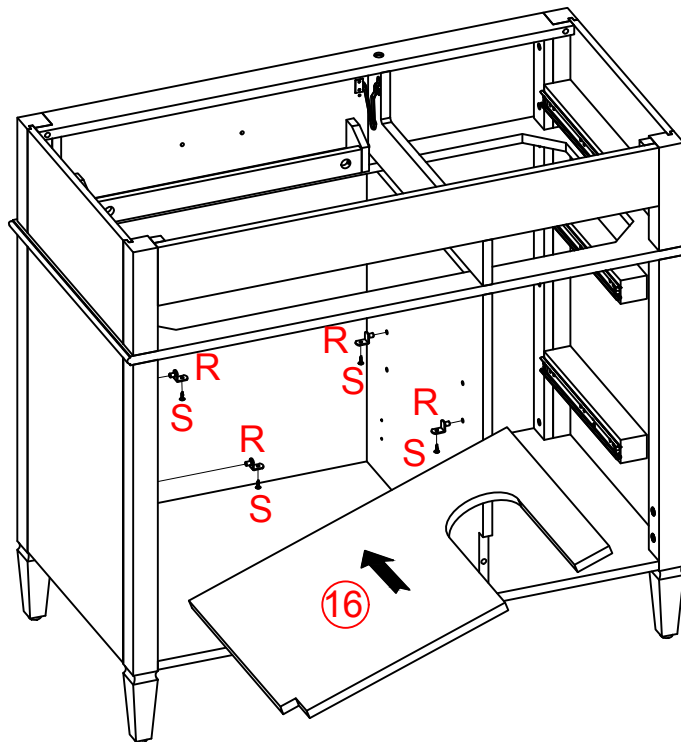
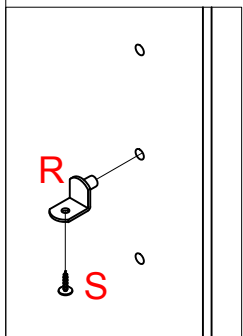
Ⓜ	M6*30MM		2PCS
---	---------	---	------

STEP 29



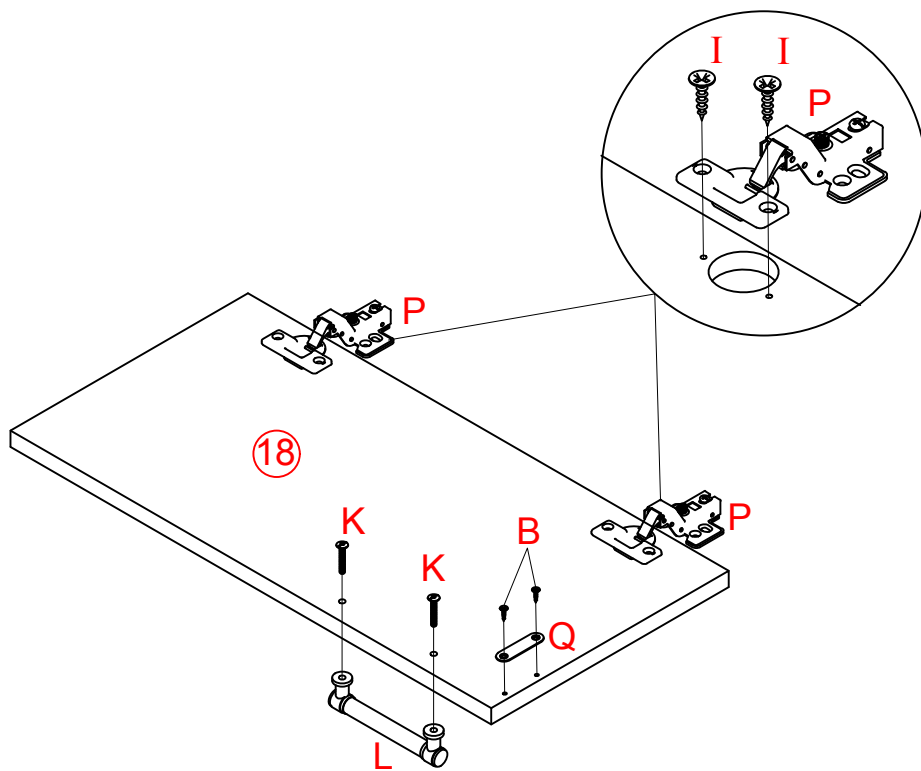
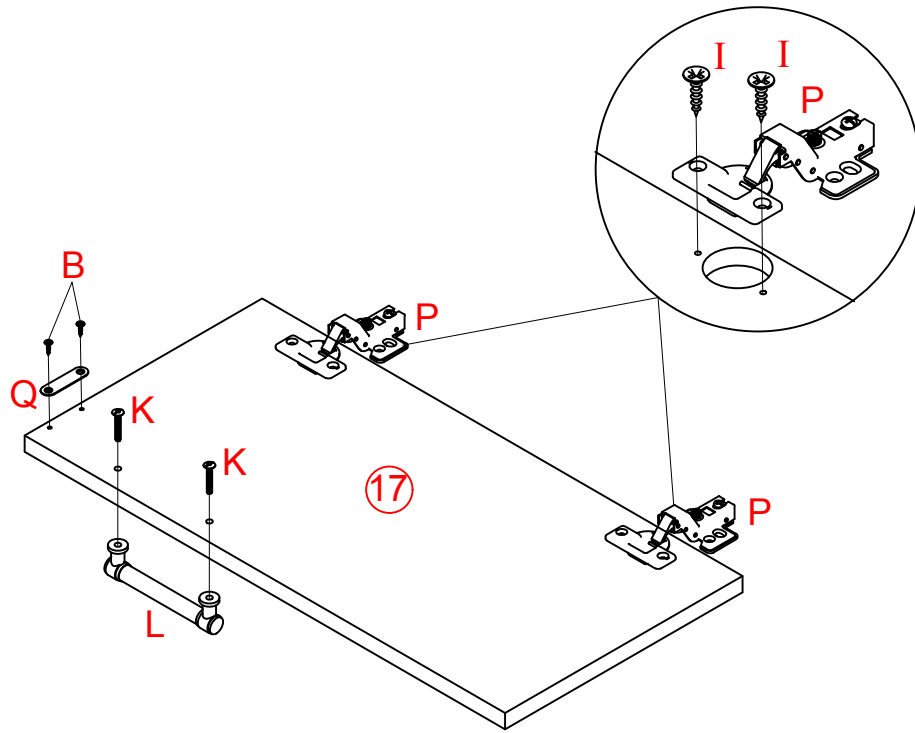
	M6*50MM 	1SET
--	---	------

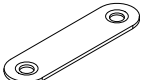



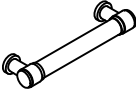
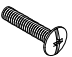
STEP 30



	L 15MM 	4PCS		3.5*12MM 	4PCS
--	--	------	--	--	------

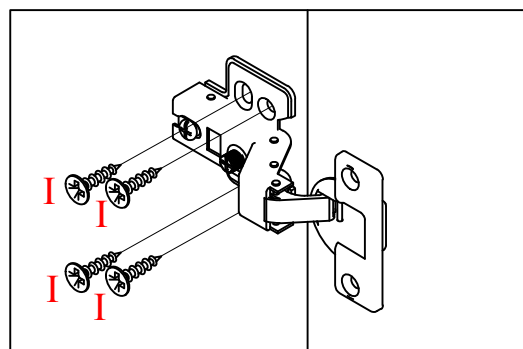
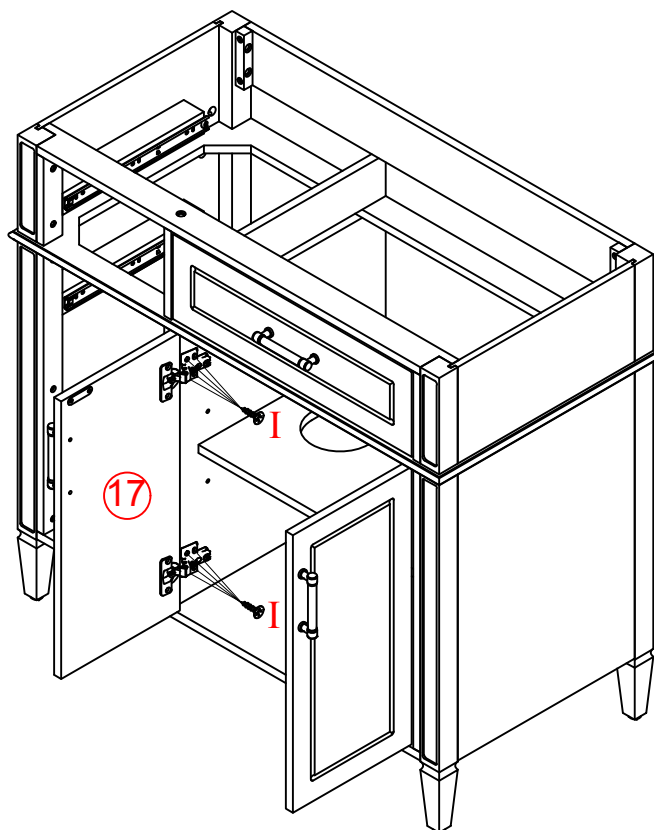
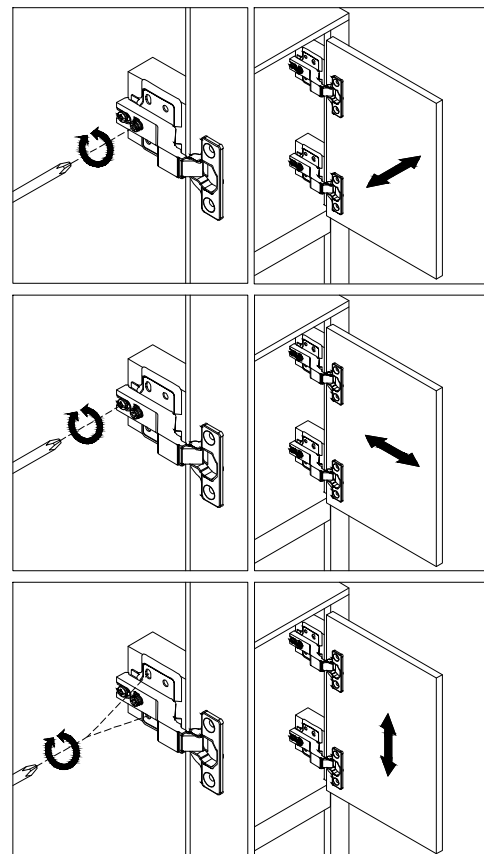
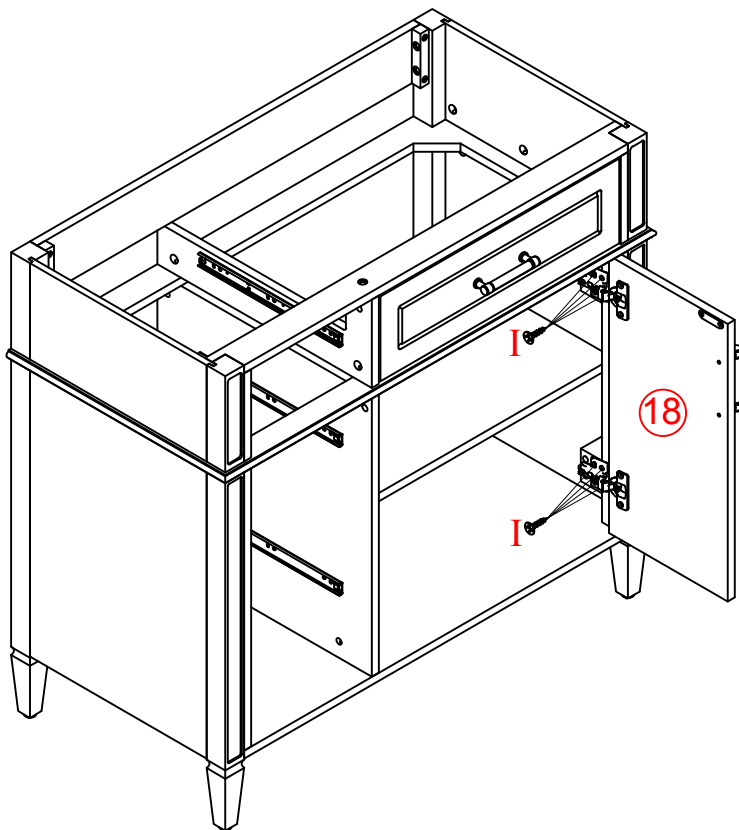
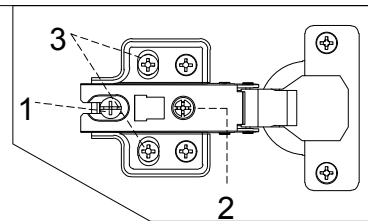
STEP 31



Ⓚ	L 45MM		2PCS	Ⓟ	3.5*10MM		4PCS
Ⓟ	Ø 35MM		4PCS	Ⓡ	3.5*15MM		8PCS
Ⓛ	L 110MM		2PCS	Ⓚ	M4*20MM		4PCS

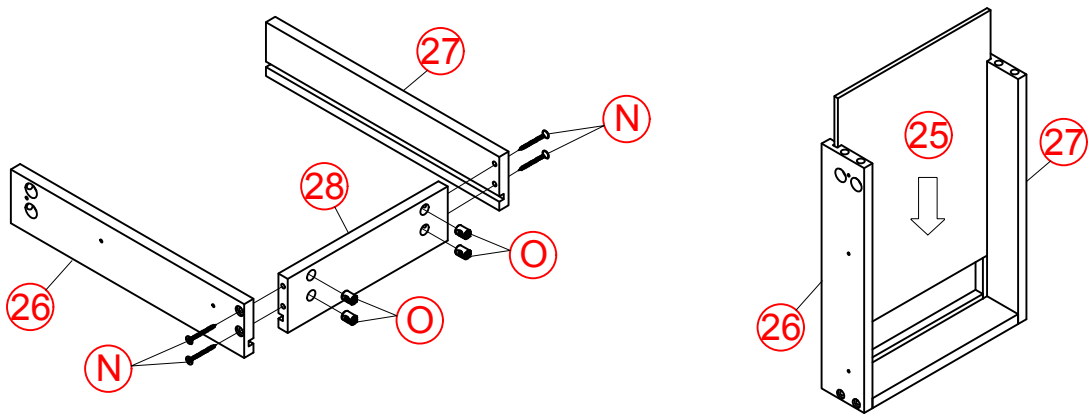
STEP 32

Three-way adjustable hinge for perfectly aligned doors
 1. TO ADJUST DOOR FORWARD OR BACKWARD.
 2. TO ADJUST DOOR TO RIGHT OR TO LEFT.
 3. TO ADJUST DOOR UP OR DOWN.



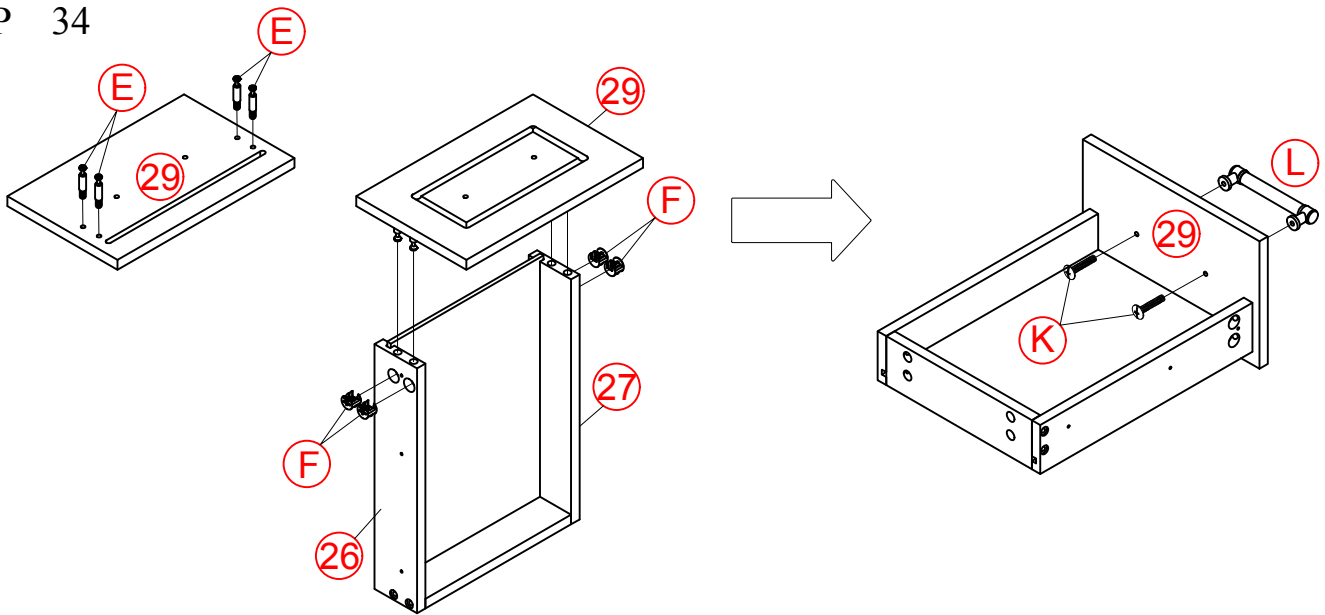
<p>Ⓡ</p>	<p>3.5*15MM</p> 	<p>16PCS</p>
----------	---	--------------



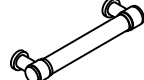

STEP 33



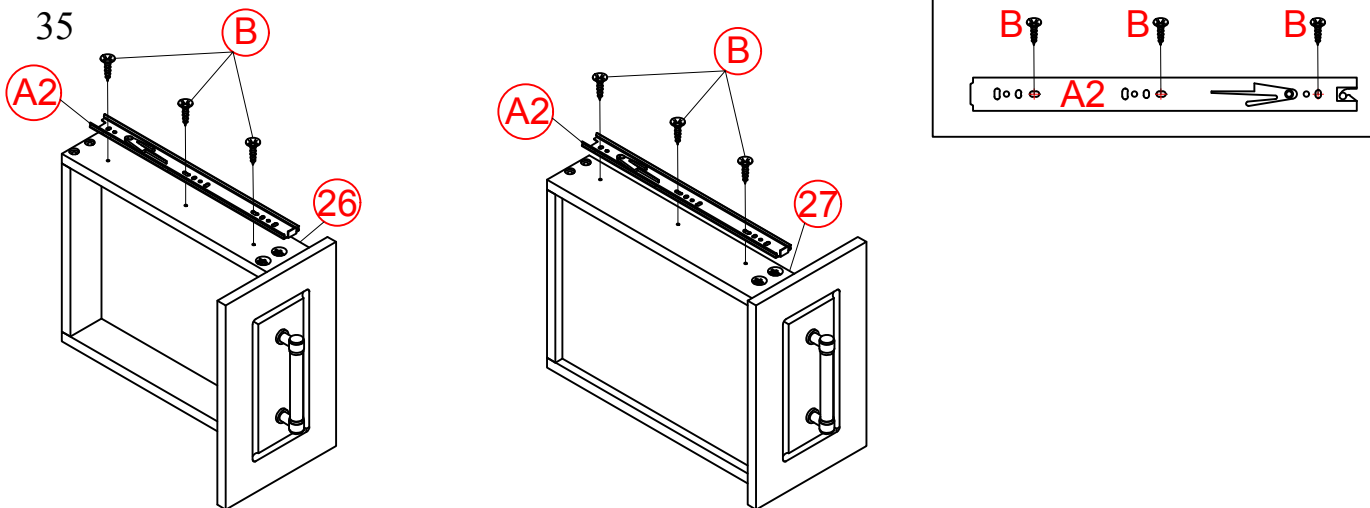
<p>(N)</p>	<p>M4*50MM</p> 	<p>4PCS</p>	<p>(O)</p> <p>Ø 10*10MM</p> 	<p>4PCS</p>
------------	--	-------------	---	-------------

STEP 34



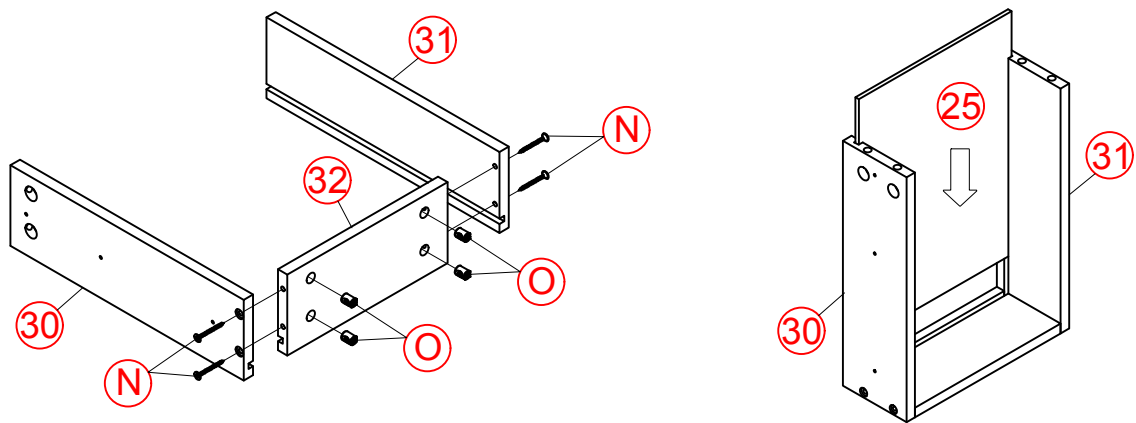
<p>(E)</p>	<p>Ø5*35MM</p> 	<p>4PCS</p>	<p>(F)</p> <p>Ø 15MM</p> 	<p>4PCS</p>
<p>(L)</p>	<p>L 110MM</p> 	<p>1PC</p>	<p>(K)</p> <p>M4*20MM</p> 	<p>2PCS</p>

STEP 35



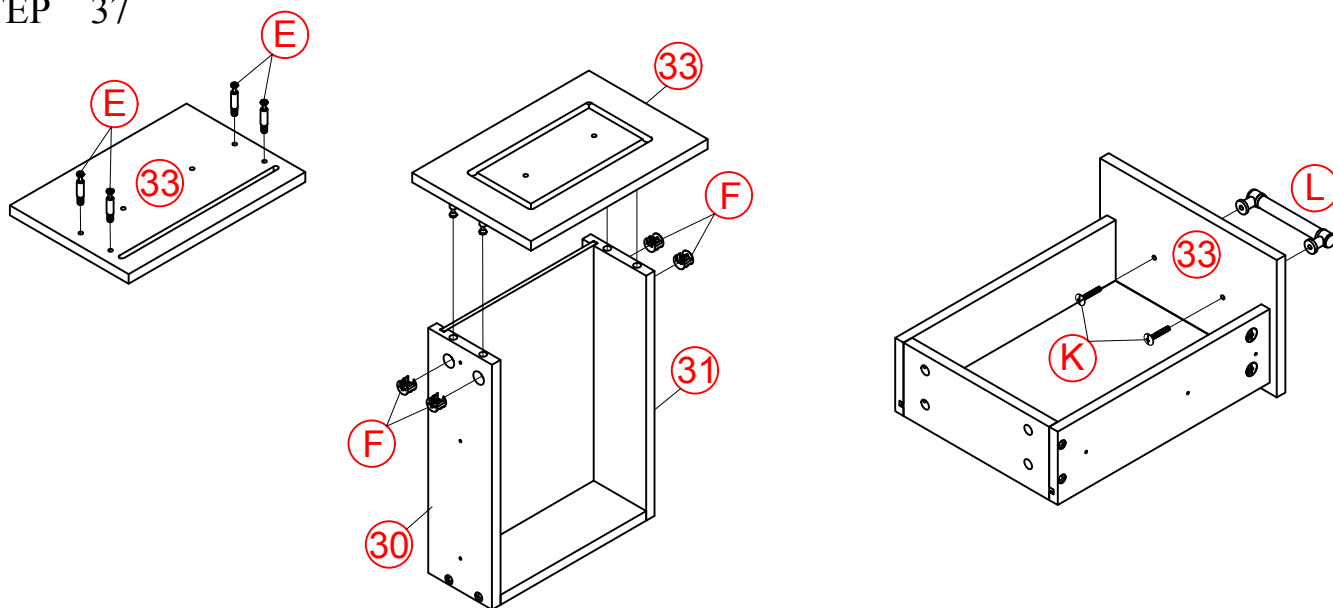
<p>(A)</p>	<p>L45*300</p> 	<p>2PCS</p>	<p>(B)</p> <p>M3.5*10MM</p> 	<p>6PCS</p>
------------	--	-------------	---	-------------



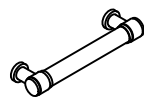

STEP 36



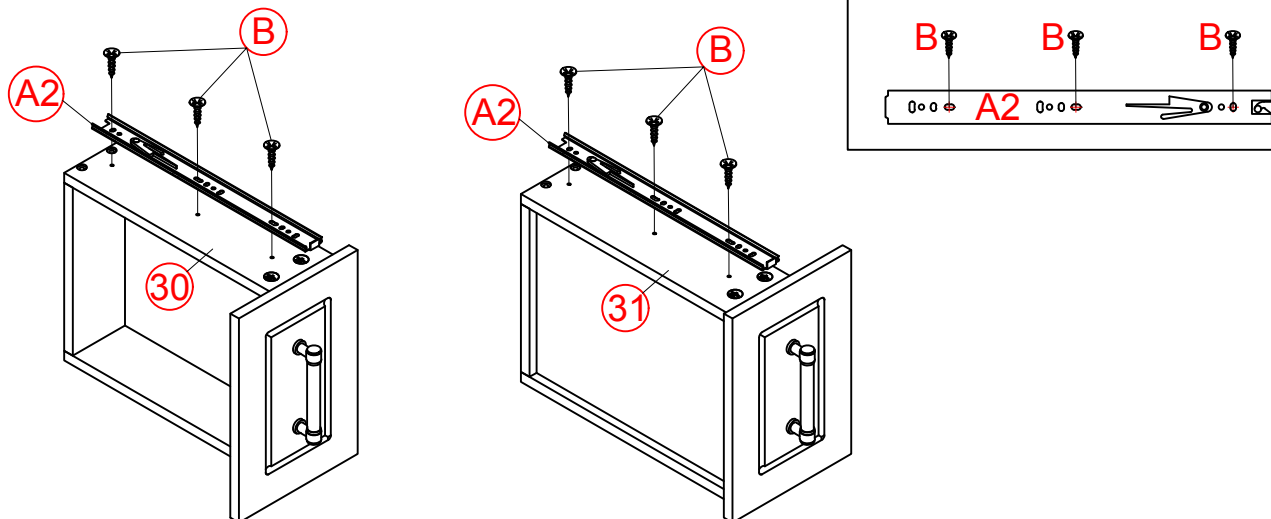
<p>(N) M4*50MM</p> 	<p>4PCS</p>	<p>(O) Ø 10*10MM</p> 	<p>4PCS</p>
--	-------------	--	-------------

STEP 37



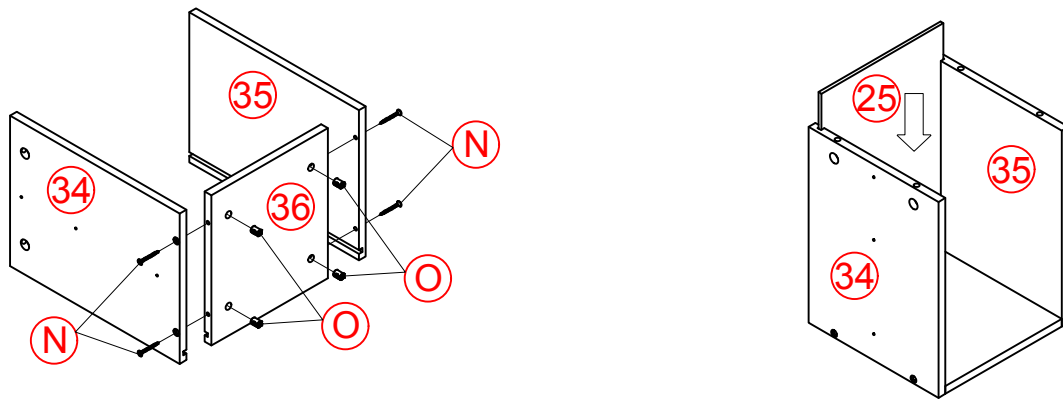
<p>(E) Ø5*35MM</p> 	<p>4PCS</p>	<p>(F) Ø 15MM</p> 	<p>4PCS</p>
<p>(L) L 110MM</p> 	<p>1PC</p>	<p>(K) M4*20MM</p> 	<p>2PCS</p>

STEP 38



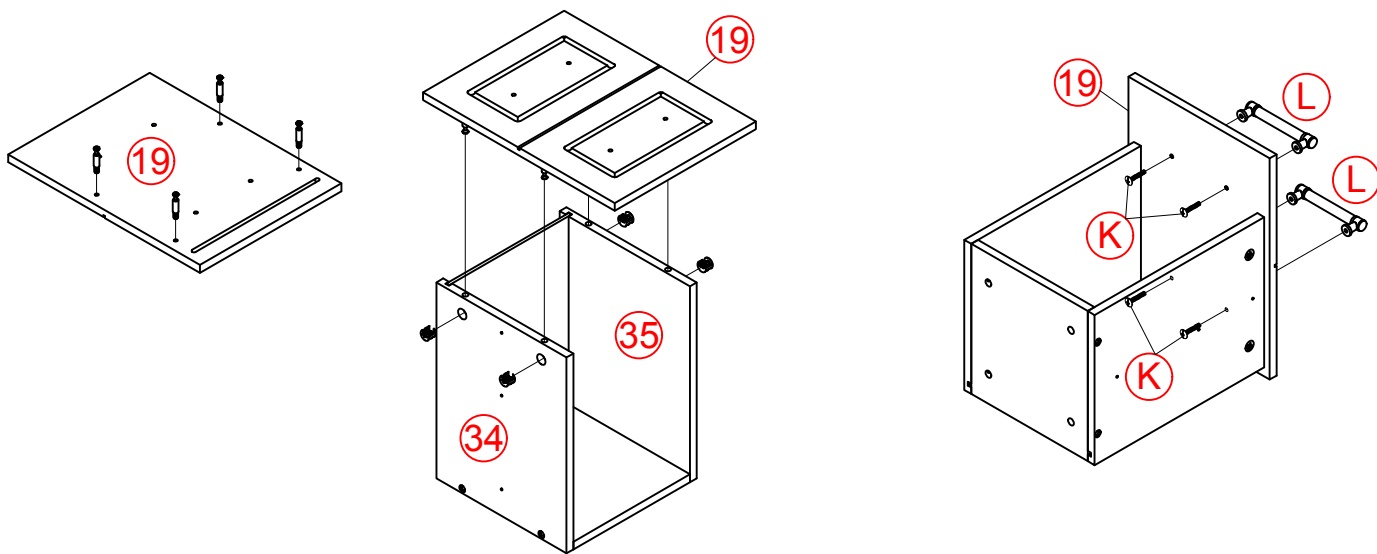
<p>(A) L45*300</p> 	<p>2PCS</p>	<p>(B) M3.5*10MM</p> 	<p>6PCS</p>
--	-------------	--	-------------

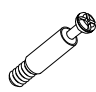

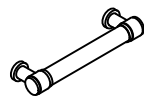

STEP 39



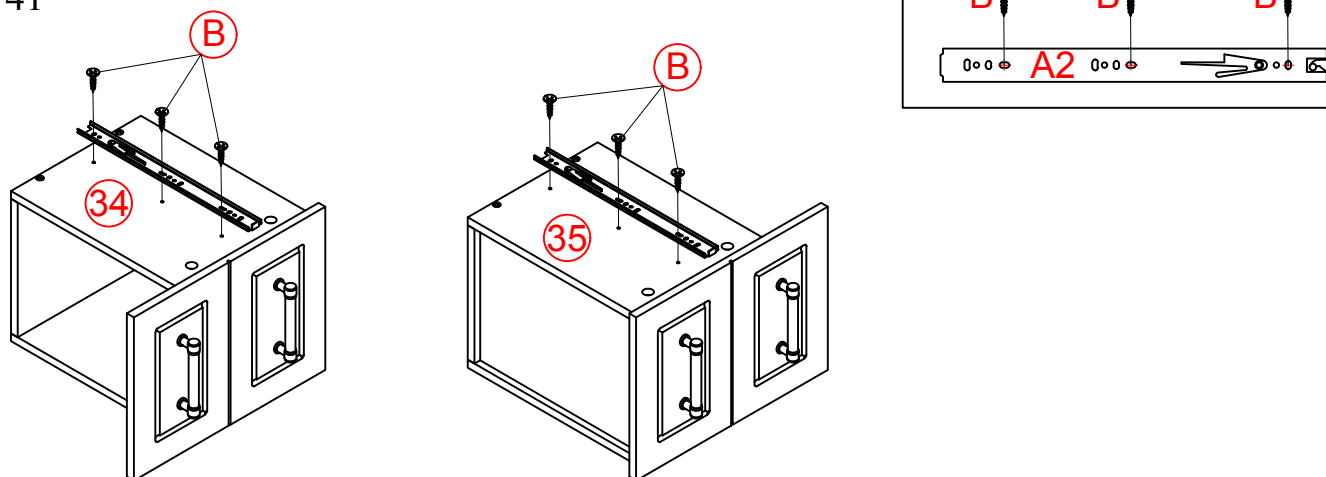
<p>(N)</p>	<p>M4*50MM</p> 	<p>4PCS</p>	<p>(O)</p> <p>Ø 10*10MM</p> 	<p>4PCS</p>
------------	--	-------------	---	-------------

STEP 40



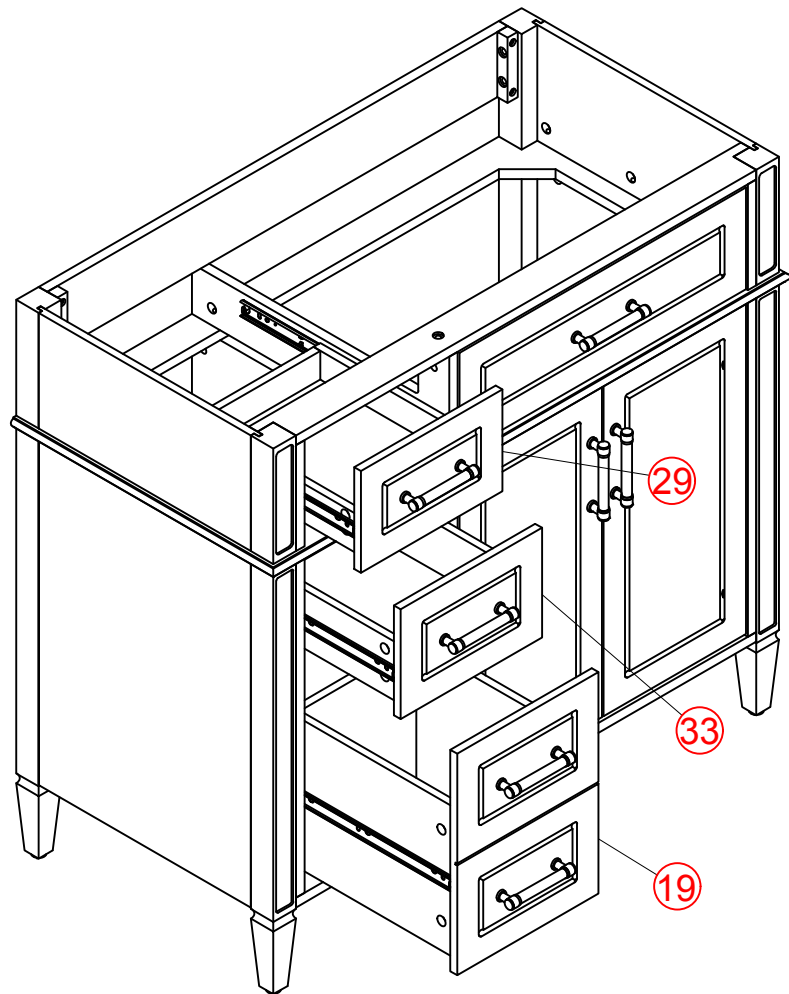
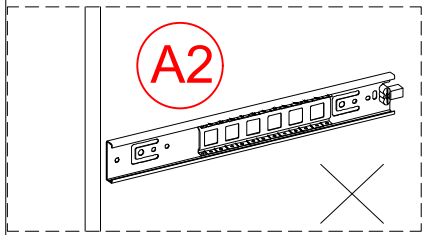
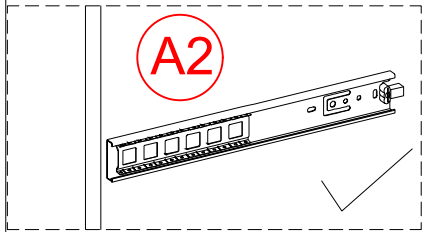
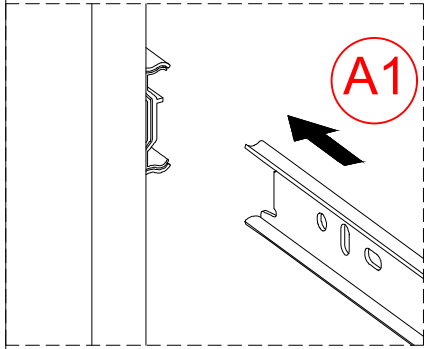
<p>(E)</p>	<p>Ø5*35MM</p> 	<p>4PCS</p>	<p>(F)</p> <p>Ø 15MM</p> 	<p>4PCS</p>
<p>(L)</p>	<p>L 110MM</p> 	<p>2PCS</p>	<p>(K)</p> <p>M4*20MM</p> 	<p>4PCS</p>

STEP 41



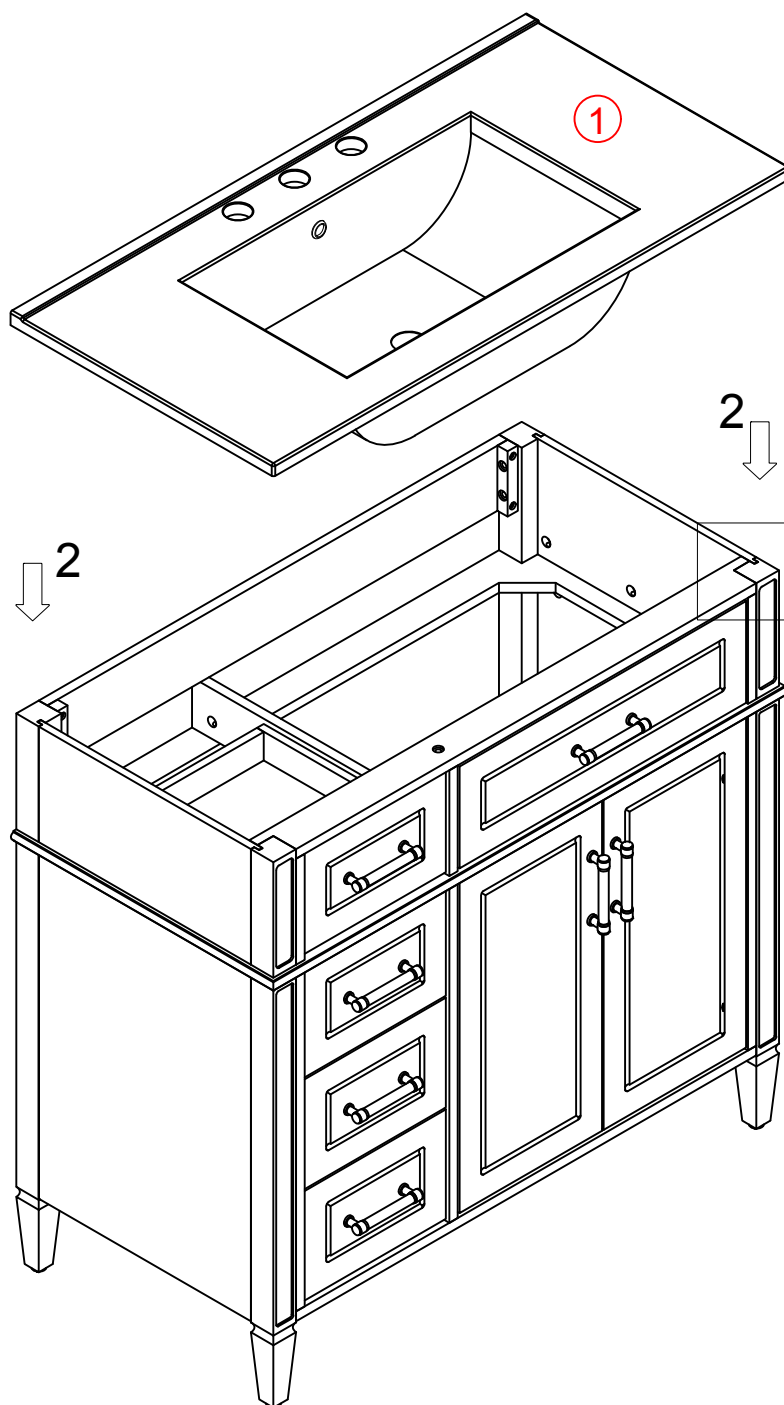
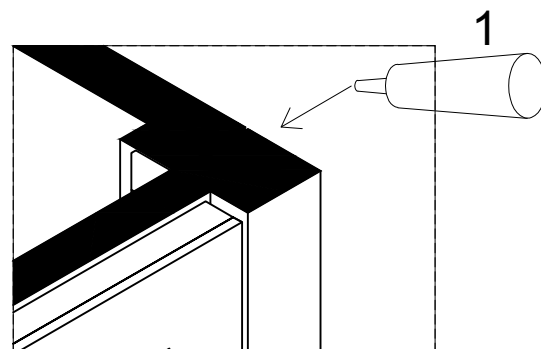
<p>(A)</p>	<p>L45*300</p> 	<p>2PCS</p>	<p>(B)</p> <p>M3.5*10MM</p> 	<p>6PCS</p>
------------	--	-------------	---	-------------

STEP 42

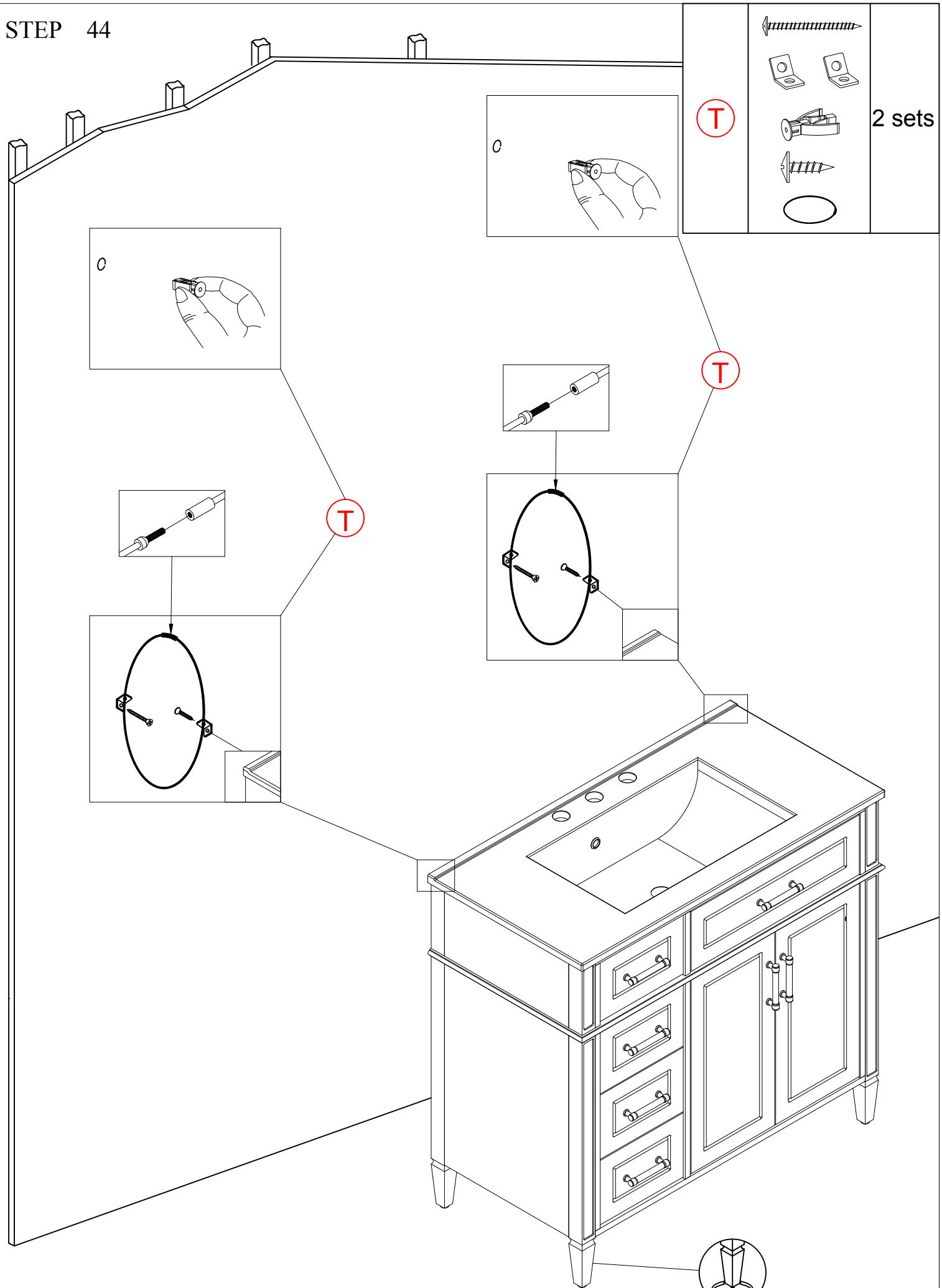


STEP 43

To install the Top (1) to the vanity (2).
Apply silicone caulk to the top edge of the wood cabinet. With the help of another adult, gently lower the Sink top with assembled sink onto the cabinet. Make sure the Sink top is flush with the back side of the wood cabinet and the wood cabinet left and right side walls.

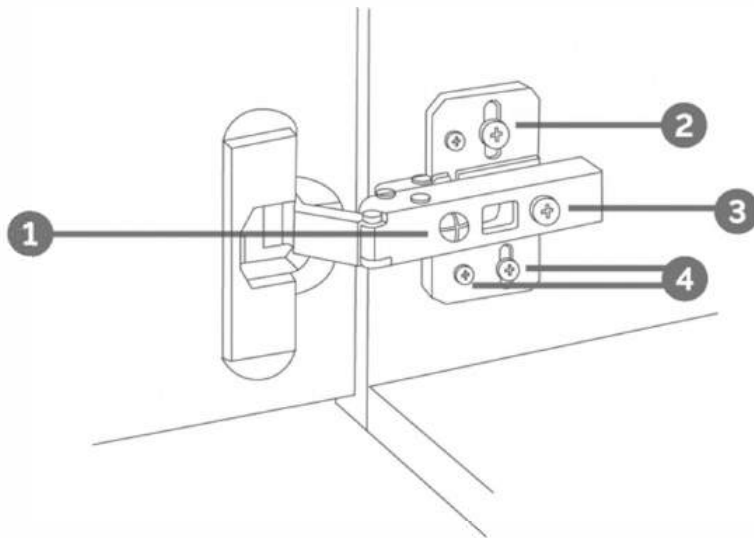


STEP 44



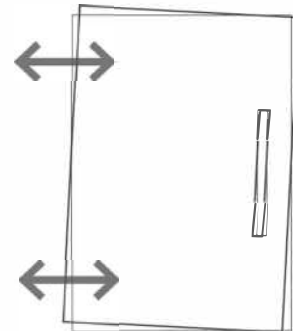
Rotate counterclockwise to increase the length of Floor Leveler, and raise that corner. Rotate clockwise to lower that corner.

HINGE ADJUSTMENTS



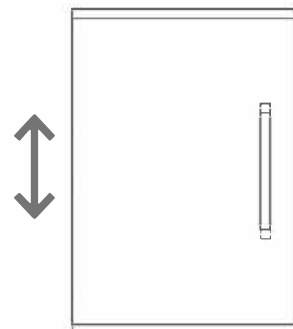
1 Sideways / Tilt adjustment

Turn the screw
clockwise to move the door further away from
the side of the cabinet
anticlockwise to move the door closer to the
side of the cabinet



2 4 Height adjustment

While supporting the weight of the door, turn the
screws
clockwise to move the door up
anticlockwise to move the door down



3 Forward and back adjustment

If the gap between the back of the door and the
cabinet is too small, and the door may not close
fully. Turn the screw
clockwise to decrease the gap between the
door and the cabinet
anticlockwise to increase the gap between the
door and the cabinet

