

Collection:Resolute

Installation manual for:

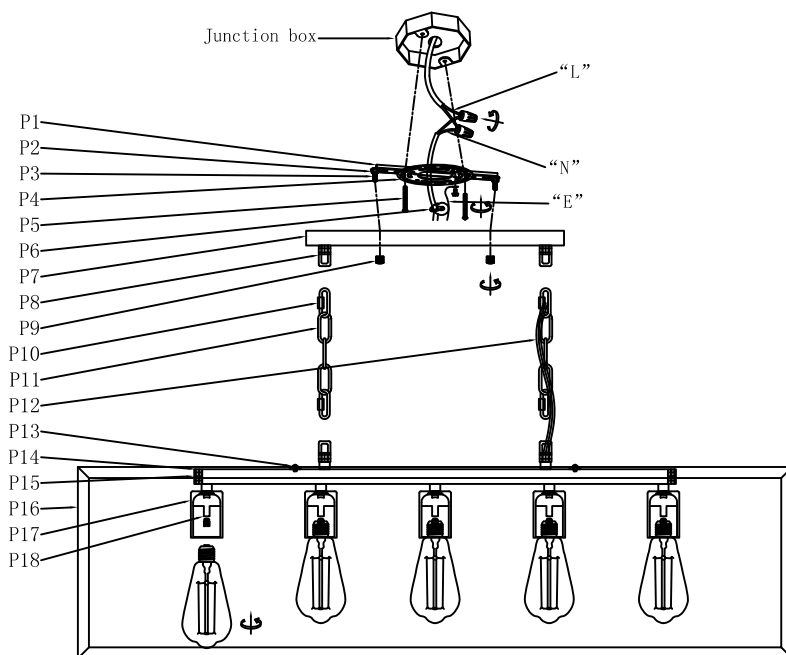
L38. 2"W9. 4"H11. 6"L5

Installation instructions:

- 1.Using the screw (P5) secure the mounting bracket (P4) to the junction box.
- 2..Connect the chain (P11) to canopy plat (P7) then hanging the lamp body.
- 3.Power cord pass through the chain (P11),canopy plat (P7) and clasp(P6).
4. Black wire from ceiling(junction box) attaches to "L"wire from the fixture.
- 5.White wire from ceiling(junction box) attaches to "N"wire from the fixture.
6. "E" wire from the fixture is attached to the mounting bracket and an additional "E" wire from the mounting bracket must be secured to the junction box.
- 7.M5 screw (P3)pass through the holes in canopy plate and tighten by nut (P9).
- 8.Install the bulb(not included) in lamp holder (P18).

The end!

PARTS LIST



"L" = Hot wire
 "N" = Neutral wire
 "E" = Ground wire

part	picture	Description	Qty	Check list
P1		L7.9" Mounting bracket	1	
P2		M5 Nut	2	
P3		M5 Screw	2	
P4		Ø4.0" Mounting bracket	1	
P5		5/32-32 Screw	2	
P6		Clasp	1	
P7		L13.8" Canopy plat	1	
P8		Loop	4	
P9		Nut	2	
P10		Quick link	4	
P11		L59"CHAIN04	2	
P12		Power Cord 6.5' SPT-1 18# black	1	
P13		Screw	2	
P14		L25.6"Metal arm	1	
P15		0.8"*0.8" Sealing cover	2	
P16		L38.2"Lampshade	1	
P17		E26 Lamp cup	5	
P18		E26 Lamp holder	5	