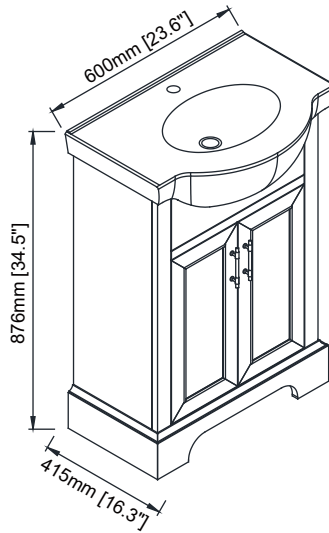
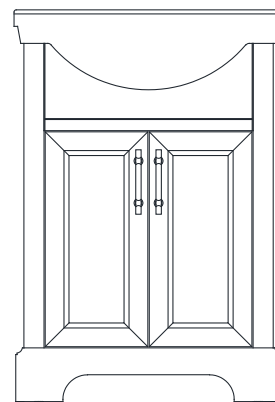
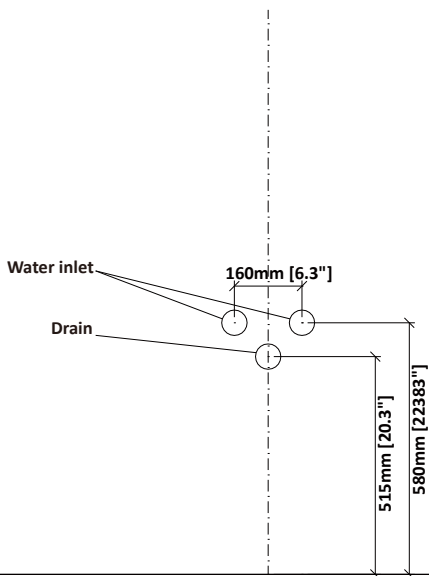
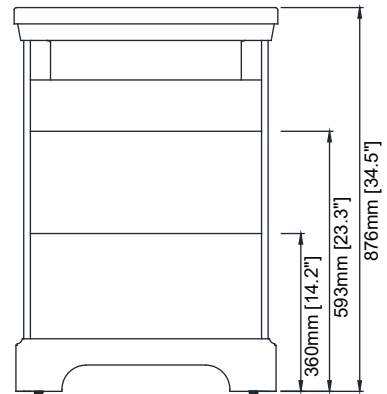
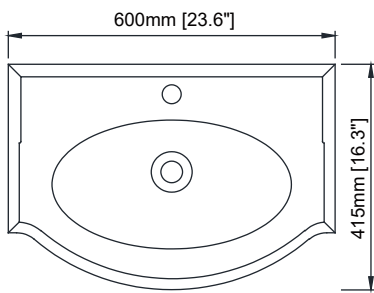


# 24 Cabinet Installation Instruction



## DIMENSIONS



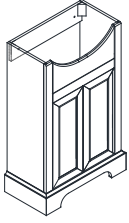


## WARNING !

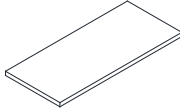
In the hole on the wall, please be sure to be careful to avoid the internal cables and pipelines.

## MATERIALS & TOOLS

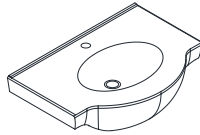
Safety glasses, Pencil, Level, Tape measure, Stud Finder, Assorted screwdrivers, Assorted Wrenches, Drill, Screw gun, Caulking gun, Hammer, Screws, Nail anchors/Molly screws.



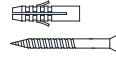
Cabint x1



Shelf x1

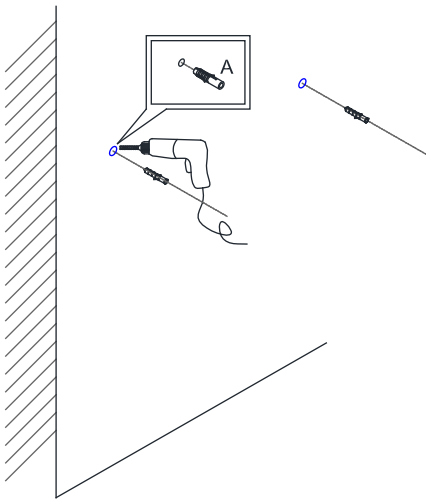


Ceramic basin x1

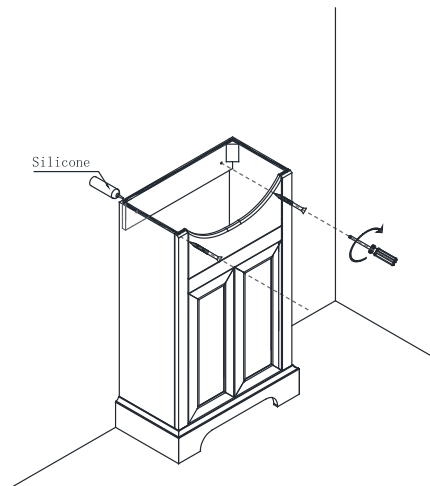


Screw and dilatant plastic x2

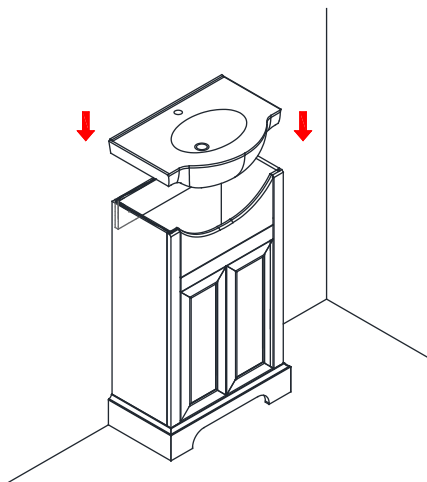
## INSTALLATION PROCEDURE



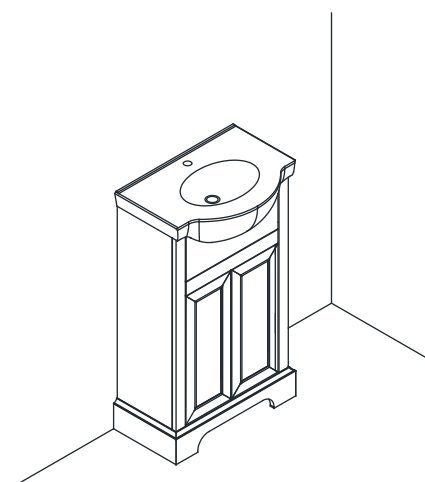
1



2

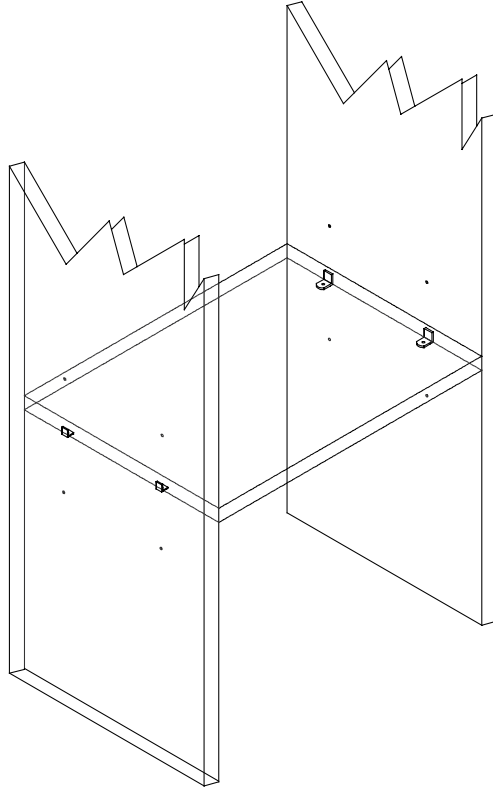


3



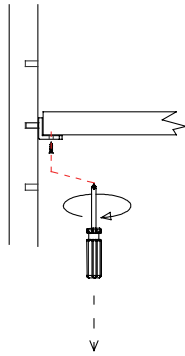
4

# SHELF INSTALLATION

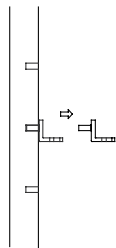


## REMOVE

1

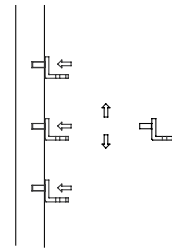


2



## INSTALL

1



2

