




ASSEMBLY INSTRUCTIONS FOR ACME FURNITURE



MODEL#24523

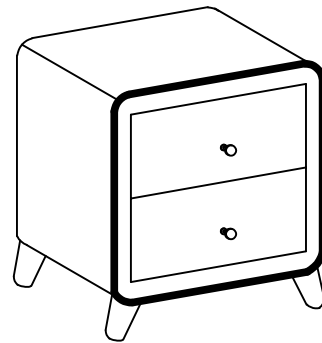
Thank you for purchasing the quality product. Be sure to check all packing material carefully for small parts which may have come loose inside the carton during shipment. Separate, identify and count all parts and metal hardware. Compare with all parts list to be sure all parts are present. If any parts(s) are missing or damaged, please contact your local furniture dealer. For efficient and speedy service, please indicate the model number and code letter or part(s) needed.

*****Do not fully tighten screws until fully assembled*****

COMPONENT PART			
DESCRIPTION	PART NAME		QTY
①	Night Stand		1pc
②	Legs		4pcs
③	Handle (Was attached on the back of the drawer front)		2pcs

HARDWARE REQUIRED

- Ⓐ  Handle Screw 35mm - 2pcs
- Ⓑ  No 35 Washers - 4pcs

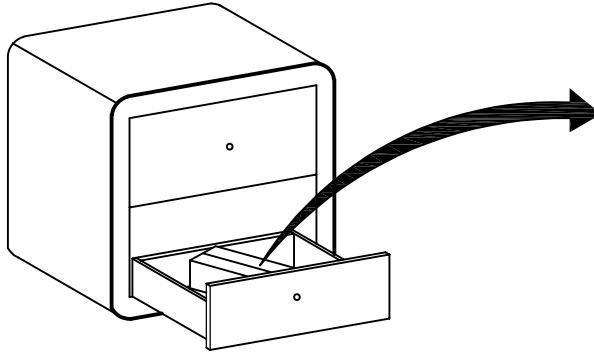


Attention:

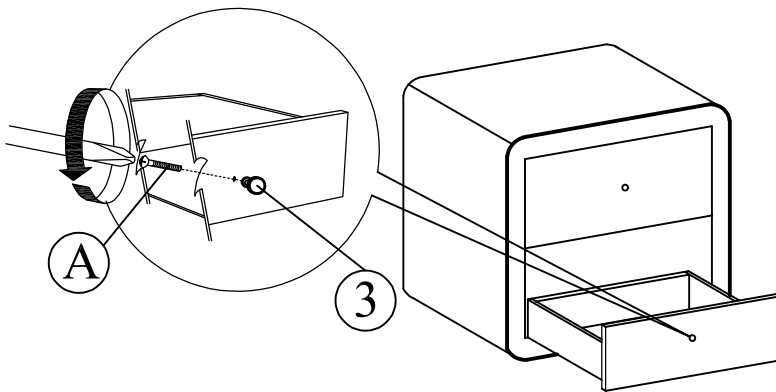
*** Some number parts listed on the instruction sheet may not be in parts bag as they may already be assembled. Carefully check parts and packing materials prior to ordering replacements.

How to assemble:

STEP 1 : Take out the small carton to assemble !



STEP 2 : Attach the handle (3) by using handle screw (A).



STEP 3 : Tighten the legs (2) to night stand (1) as shown.

