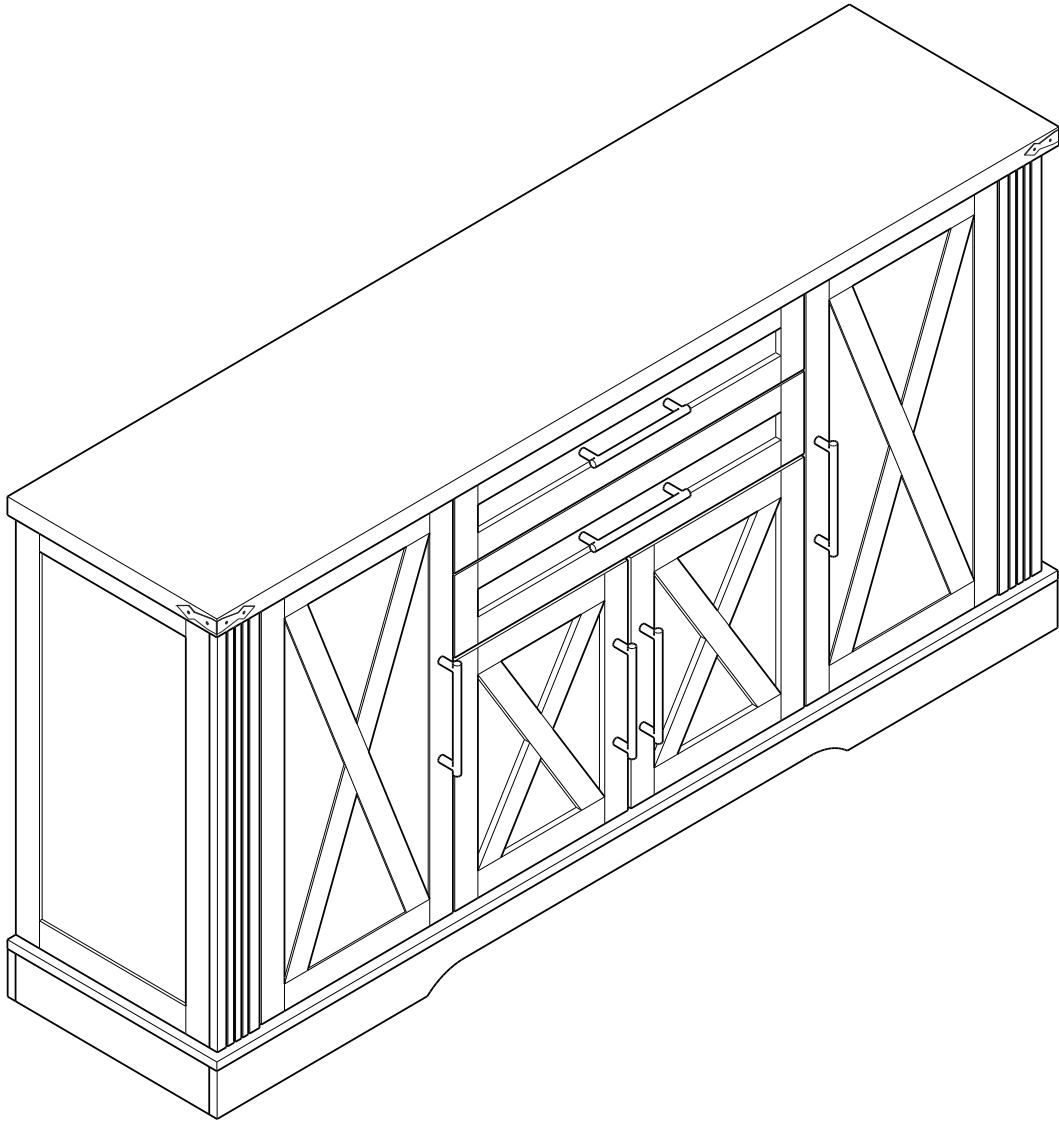
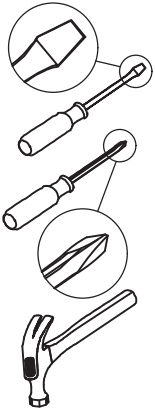

Installation & Assembly



As this item contains many parts, please read the installation instruction carefully before installation . Please use tools properly and carefully.

Before You Start



- ✓ Read through each step carefully and follow the proper order
- ✓ Separate and count all your parts and hardware
- ✓ Give yourself enough room for the assembly process
- ✓ Have the following tools: Flat Head Screwdriver, #2 Phillips Head Screwdriver and Hammer
- ✓ Caution: If using a power drill or power screwdriver for screwing, please be aware of to slow down and stop when screw is tight. Failure to do so may result in stripping the screw. (Assembly speed can be increased by using electric screwdriver)

Helpful Hints

PEOPLE NEEDED FOR ASSEMBLY: 1-2

- Open your item in the area you plan to keep it to avoid excessive heavy lifting.



- Identify, sort and count the parts before attempting assembly.

- Make sure to always face the point on the top of the Cam Lock towards the outer edge.

- If there is a back panel in the package, please install it to make sure your unit is complete and sturdy.



- Please fix all the screws provided for the back panel which can enhance product stability. If it is difficult to fix it when tightening, it can be fixed with the help of a hammer and then tightened.

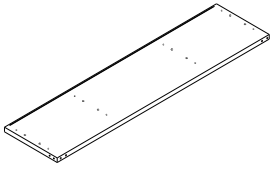


- Never push, pull, or drag your furniture.



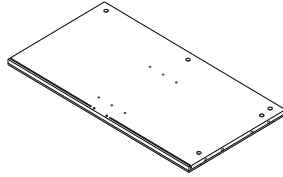
Board Identification

Not actual size



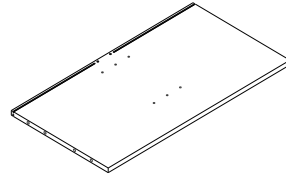
①

Qty:1



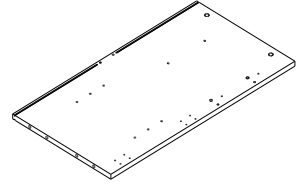
②

Qty:1



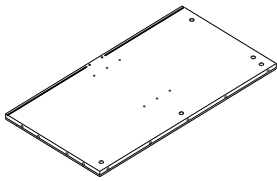
③

Qty:1



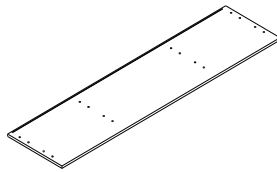
④

Qty:1



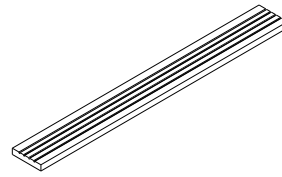
⑤

Qty:1



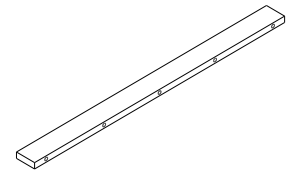
⑥

Qty:1



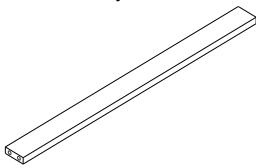
⑦

Qty:2



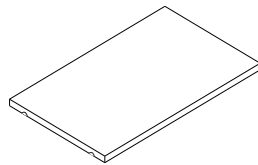
⑧

Qty:1



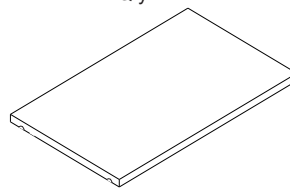
⑨

Qty:2



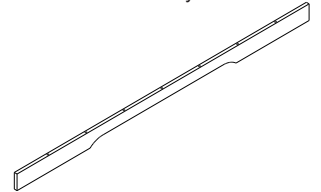
⑩

Qty:2



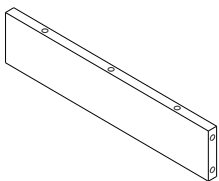
⑪

Qty:1



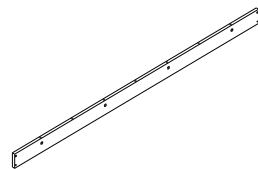
⑫

Qty:1



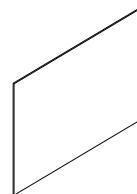
⑬

Qty:2



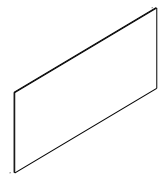
⑭

Qty:1



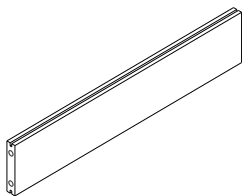
⑮

Qty:2



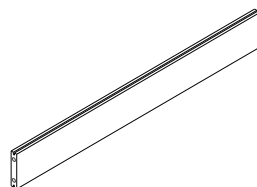
⑯

Qty:2



⑰

Qty:2



⑱

Qty:1



⑲

Qty:2

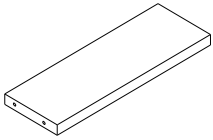


⑳

Qty:2

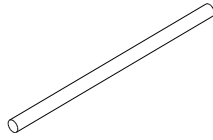
Board Identification

Not actual size



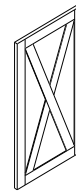
21

Qty:6



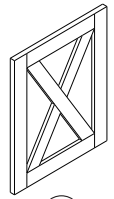
22

Qty:6



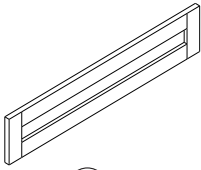
23

Qty:2



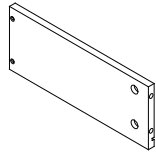
24

Qty:2



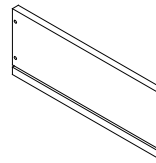
25

Qty:2



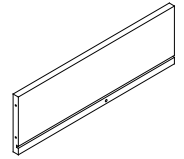
26

Qty:2



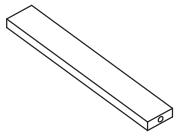
27

Qty:2



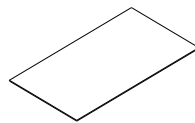
28

Qty:2



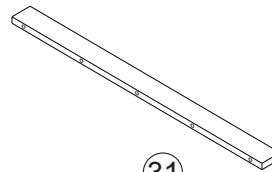
29

Qty:2



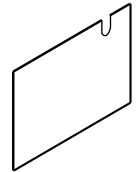
30

Qty:2



31

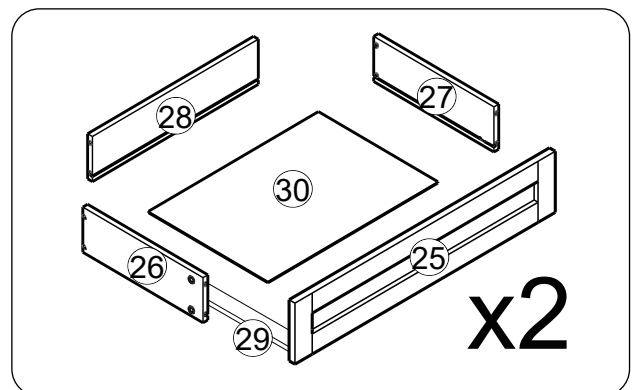
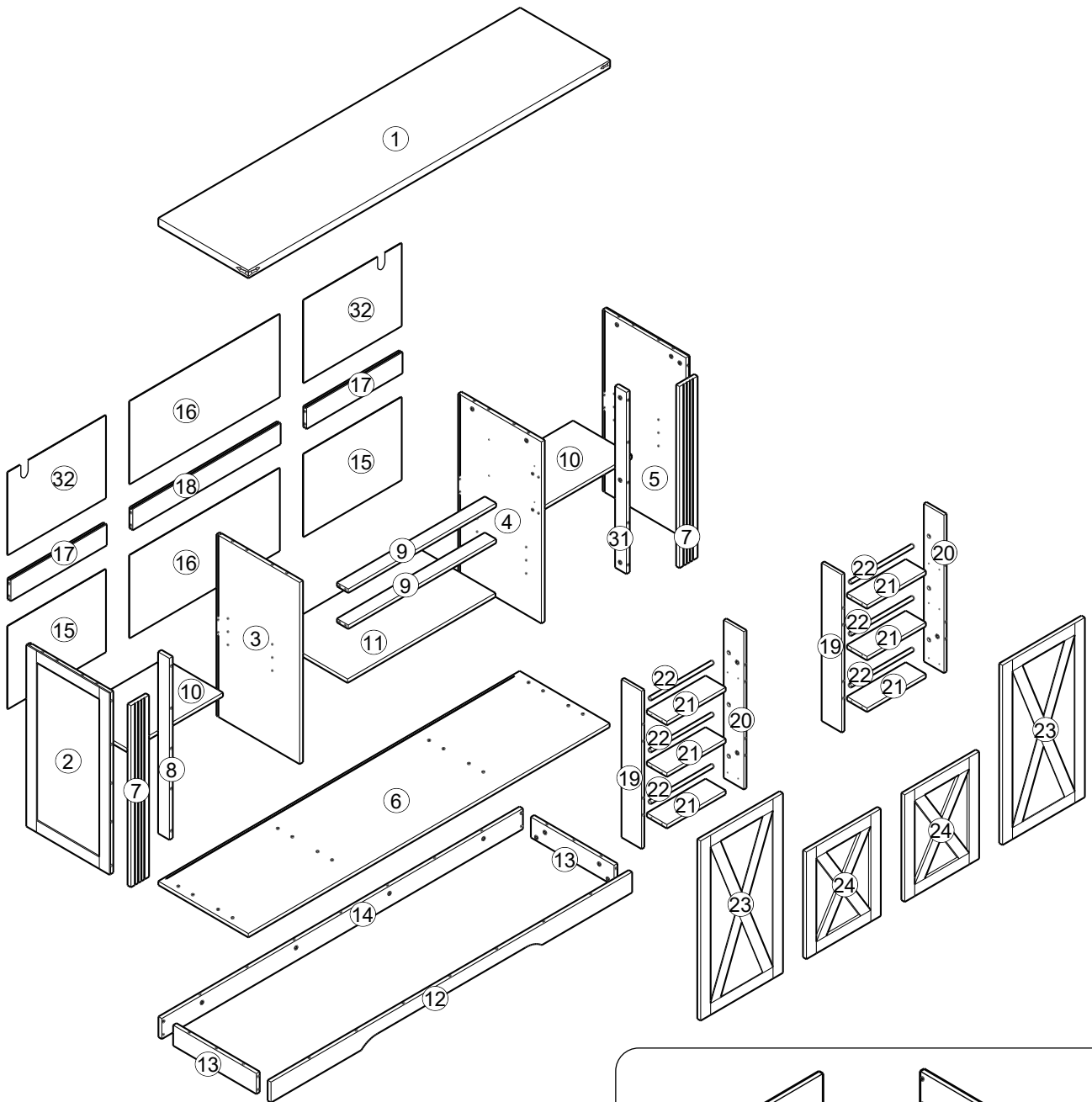
Qty:1



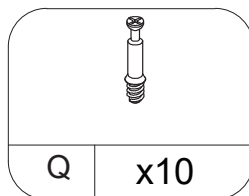
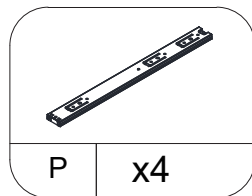
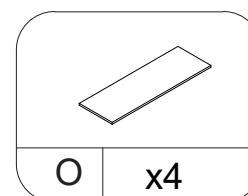
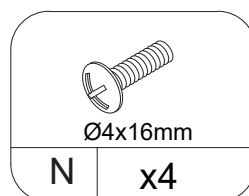
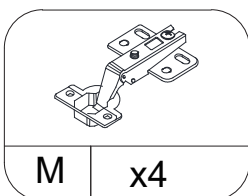
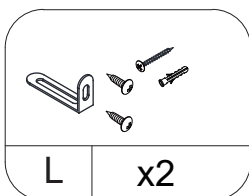
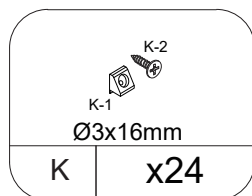
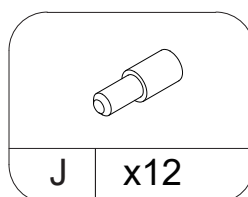
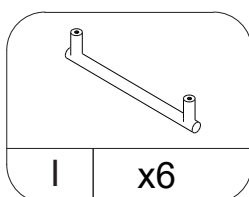
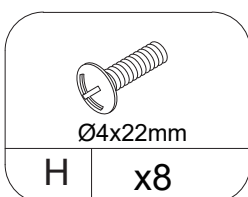
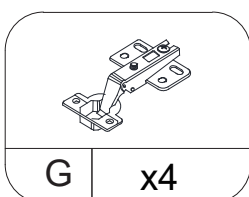
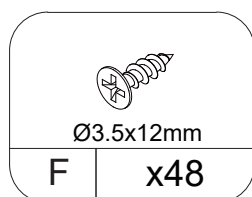
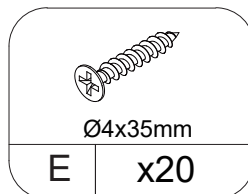
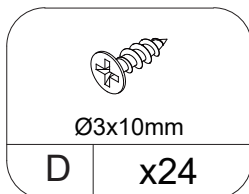
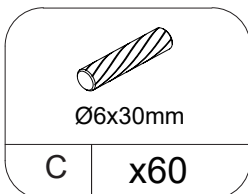
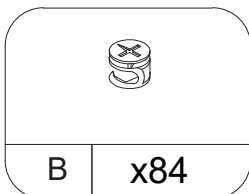
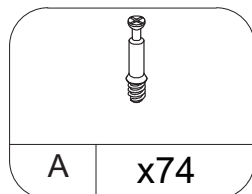
32

Qty:2

Board Identification

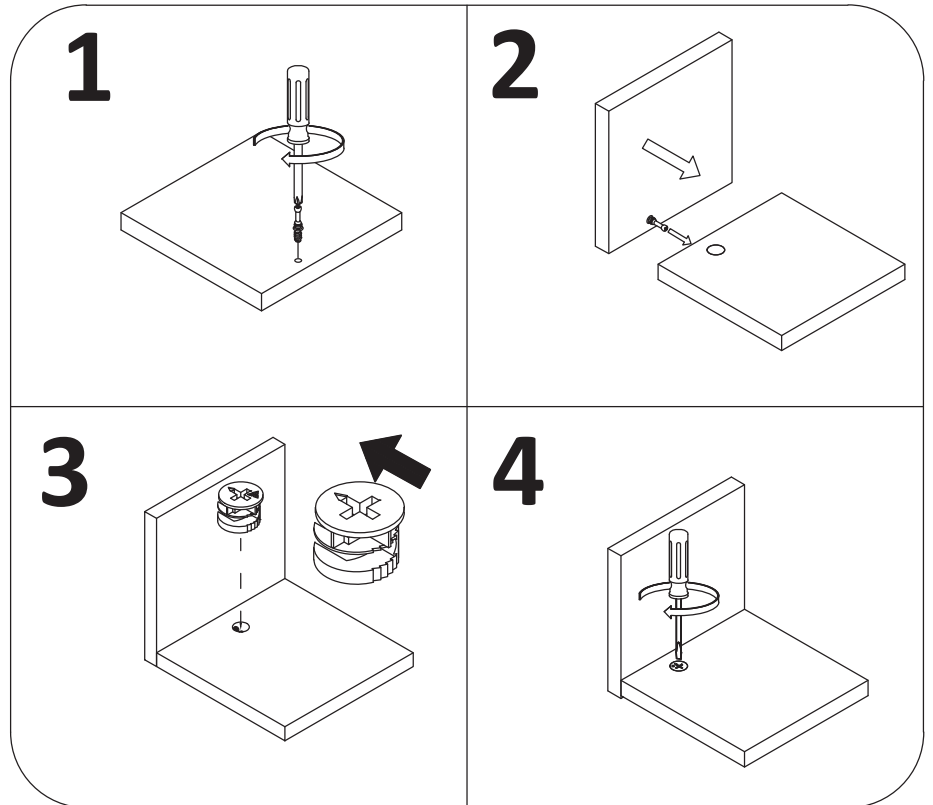


Part List

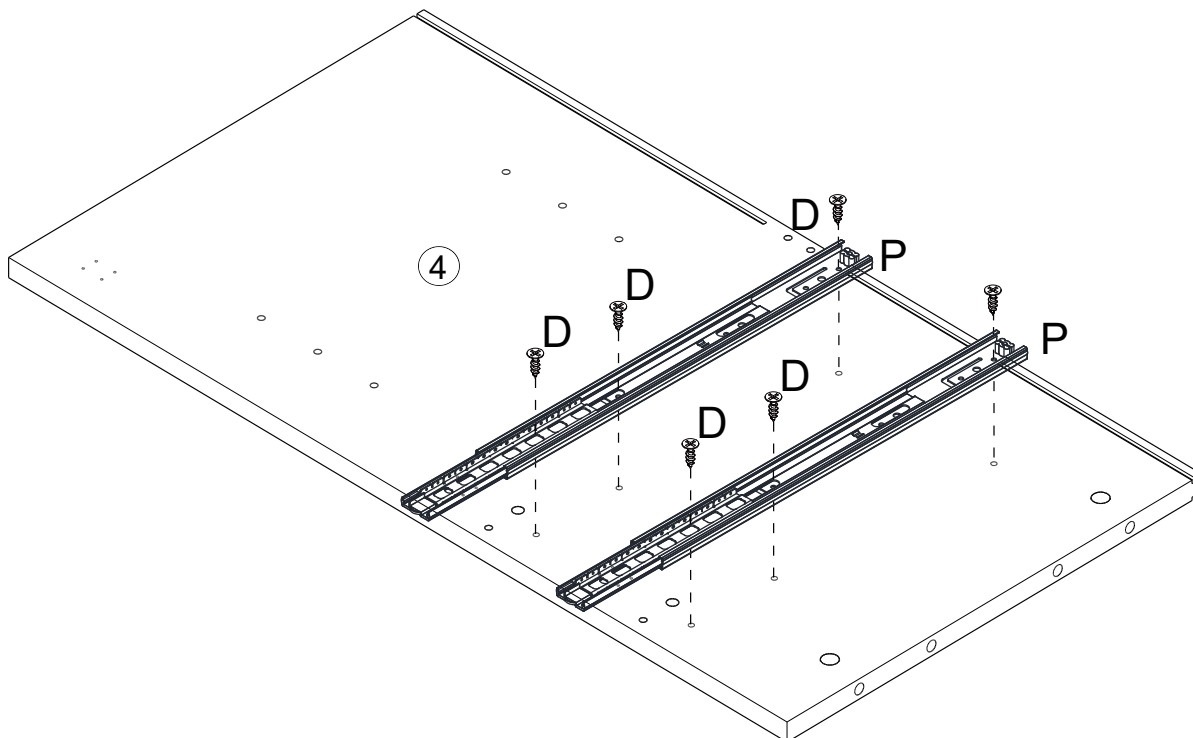
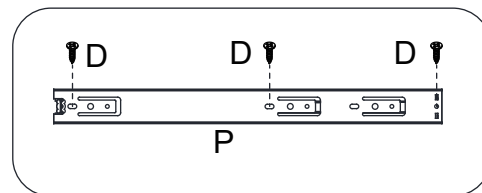
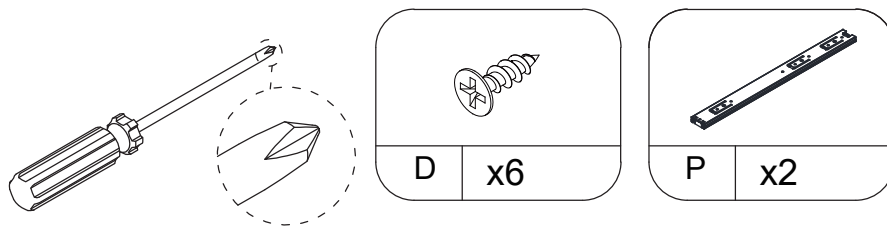


Cam Lock Fastening System

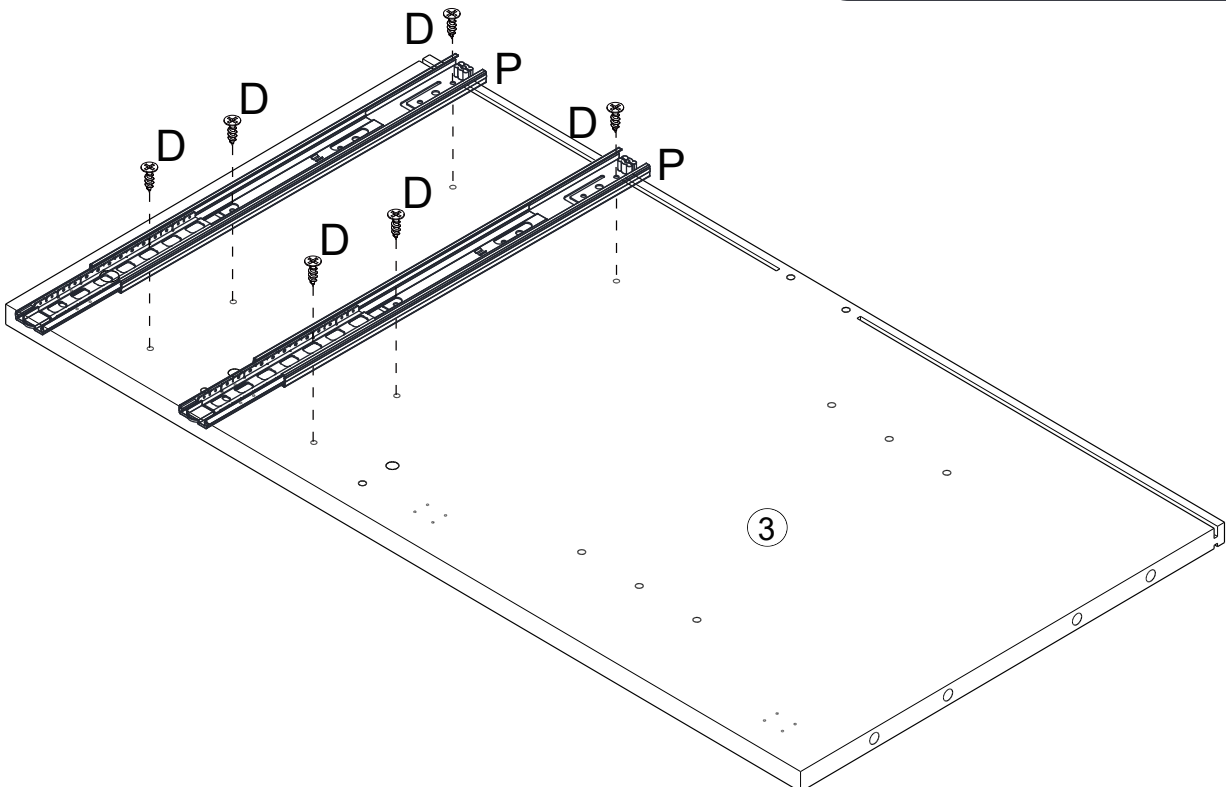
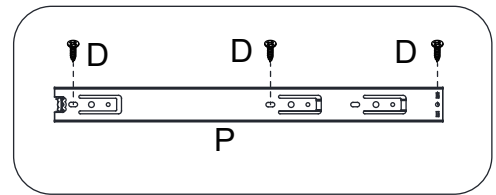
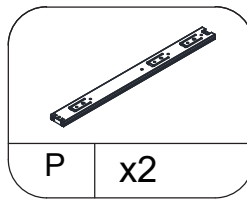
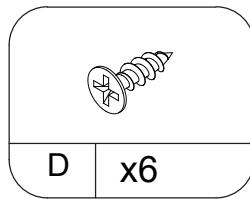
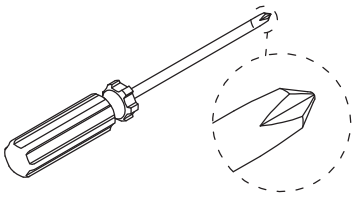
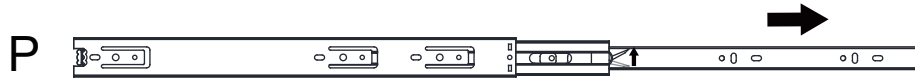
Insert the cam bolt into the hole first, then insert the cam lock and lock it.



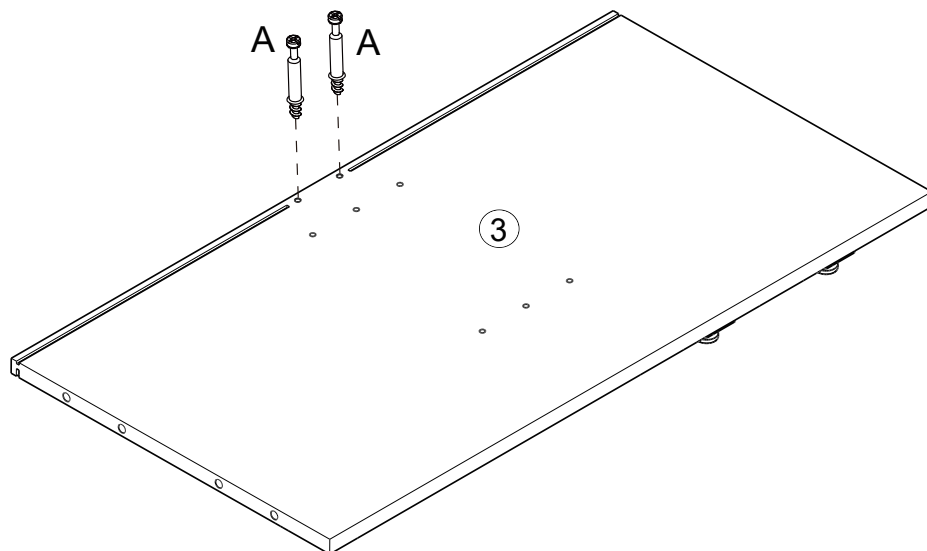
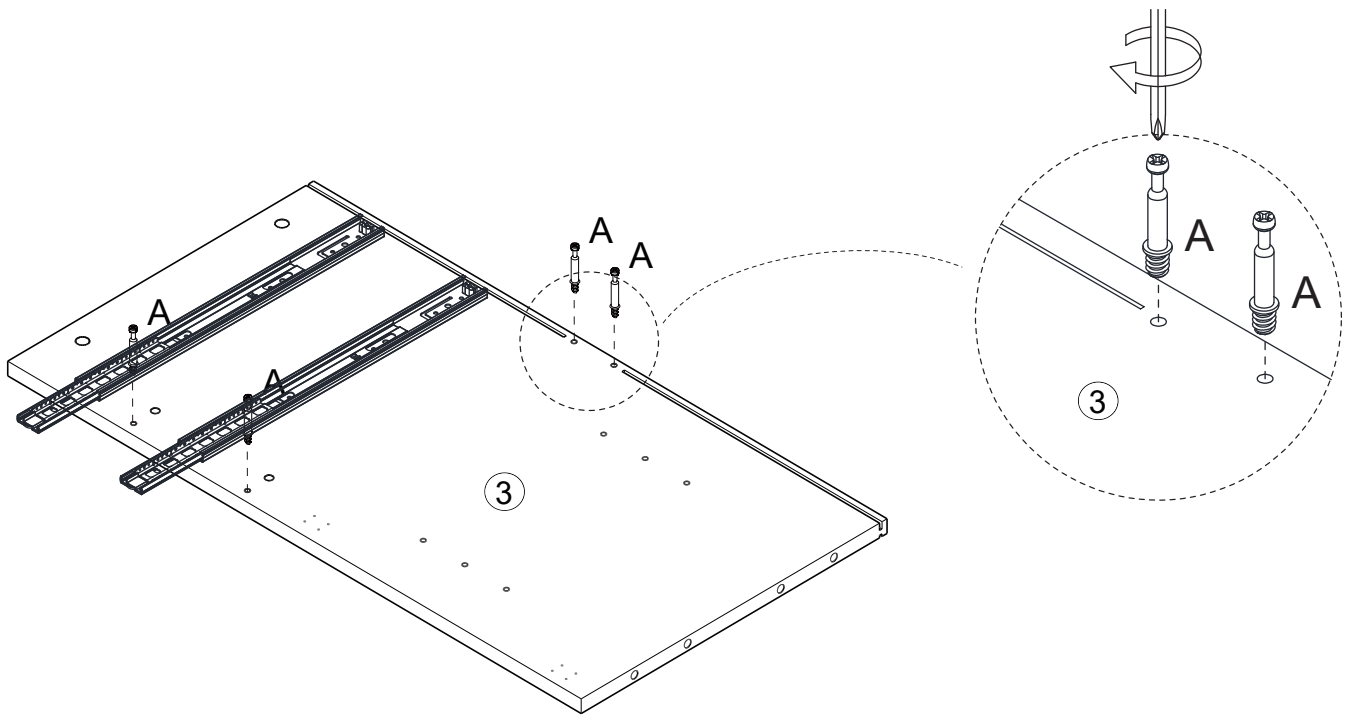
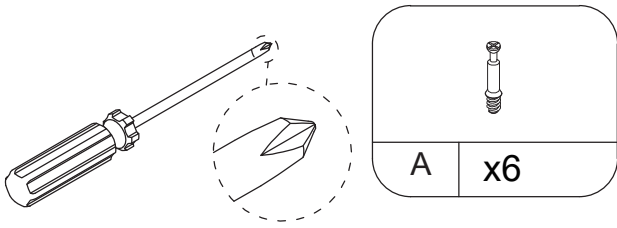
STEP 1



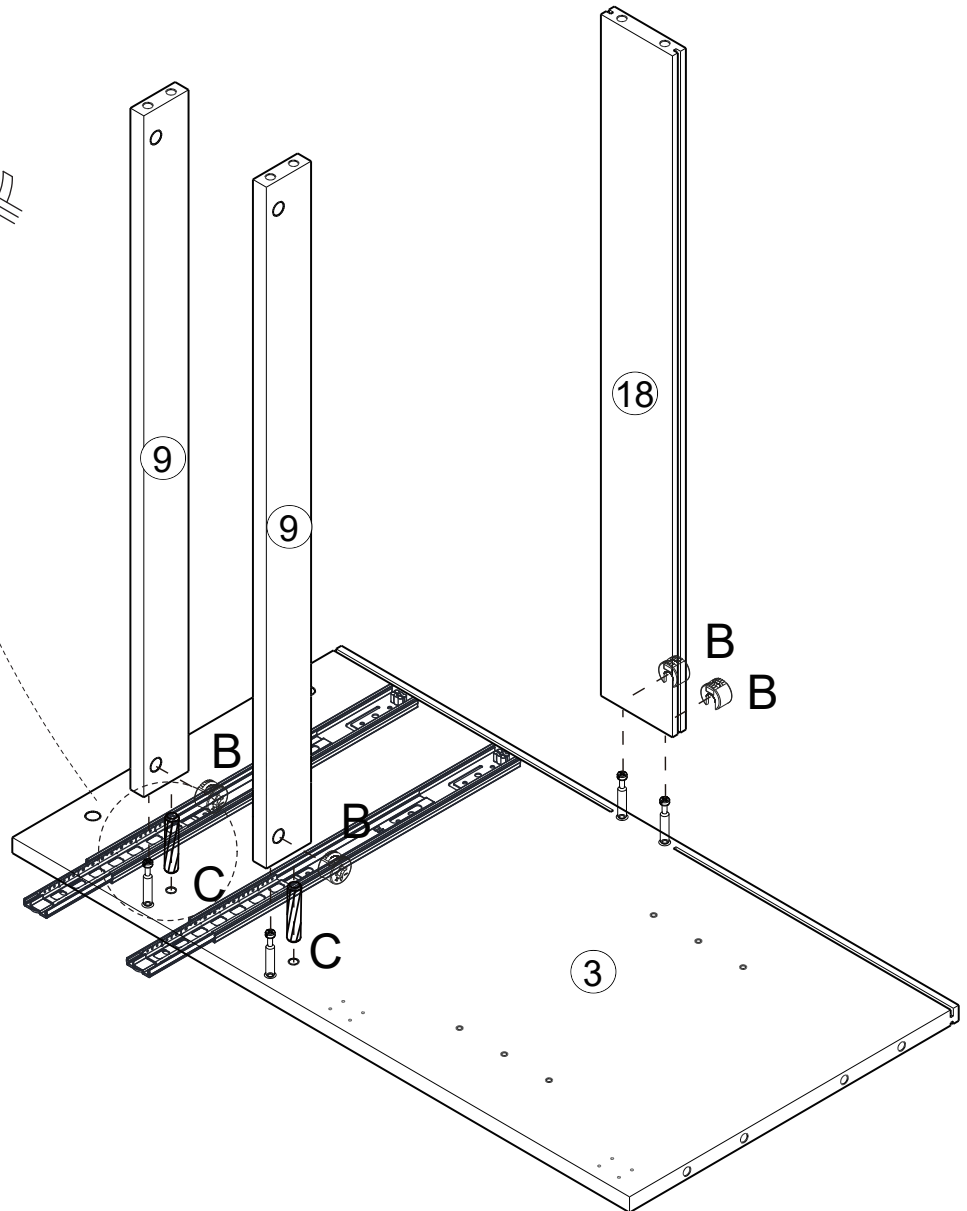
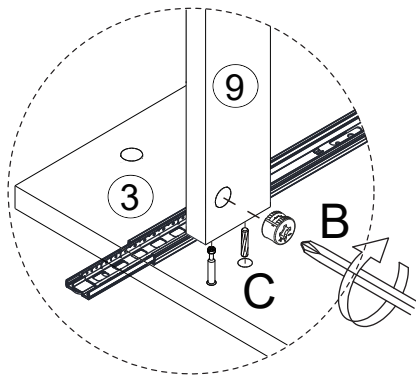
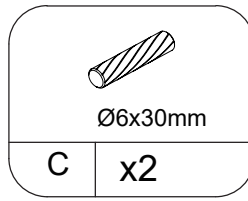
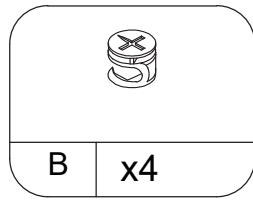
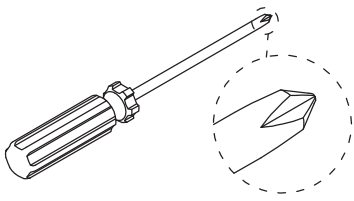
STEP 2



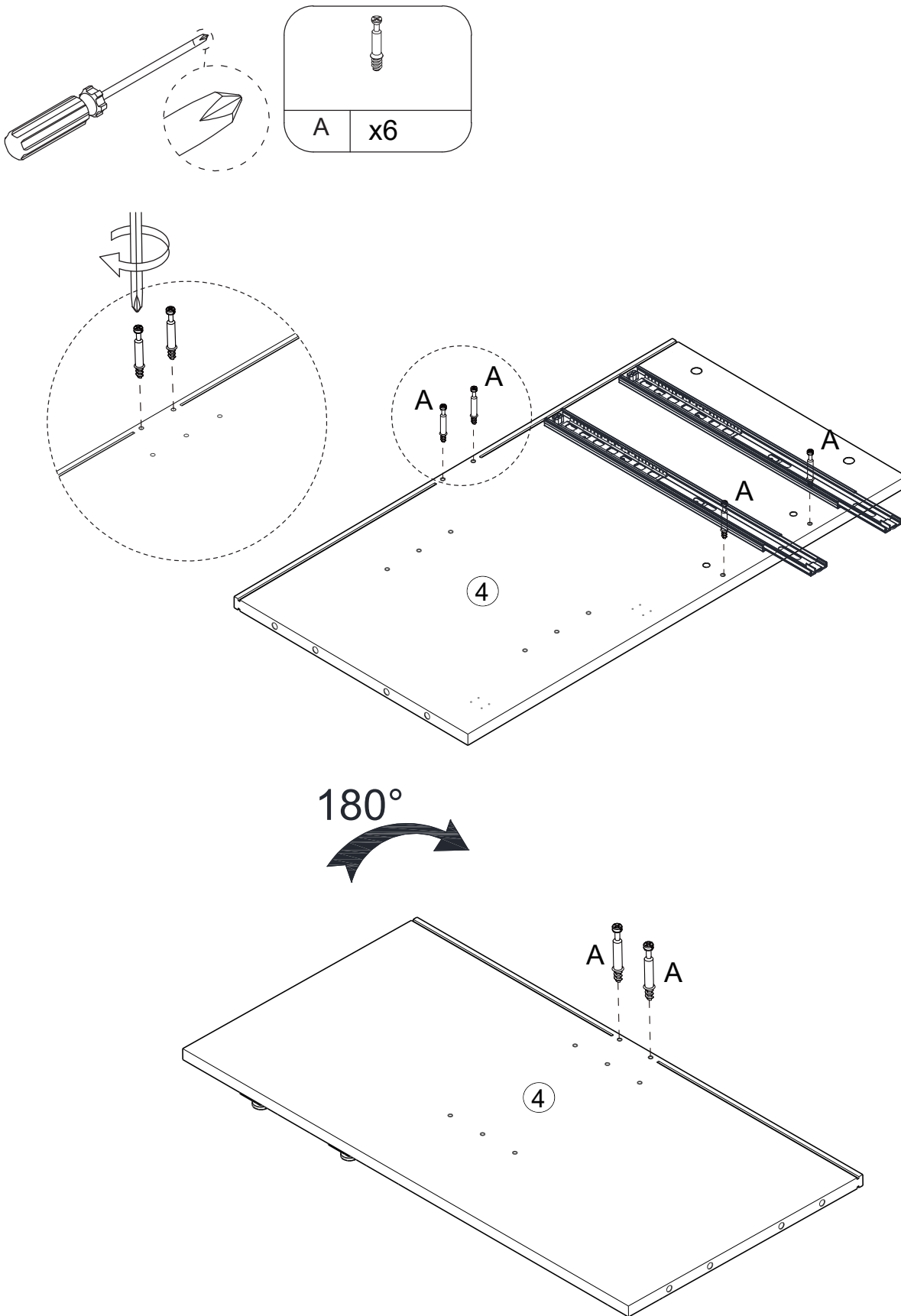
STEP 3



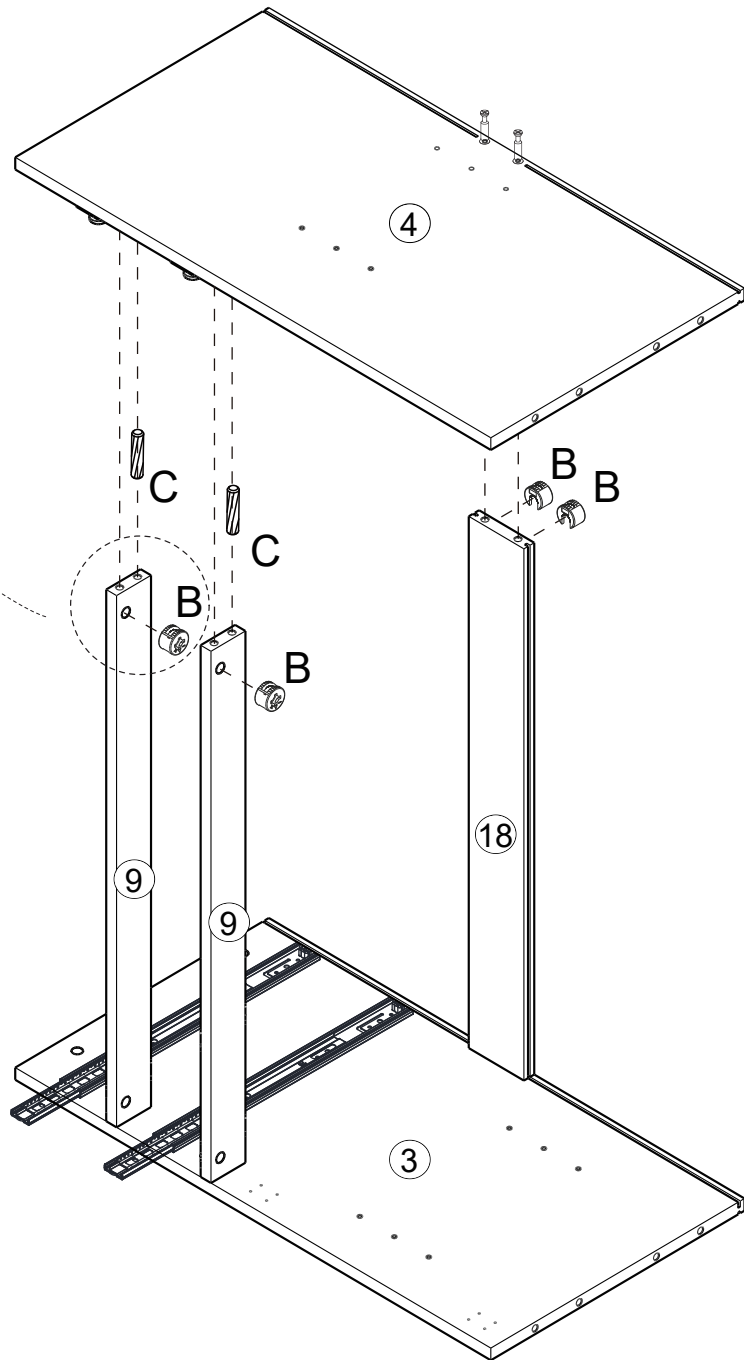
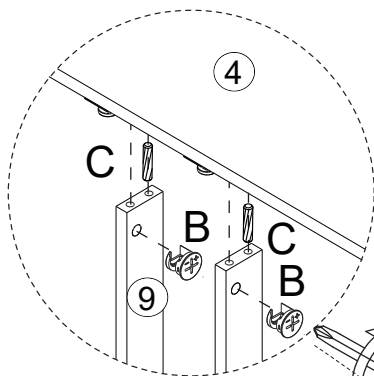
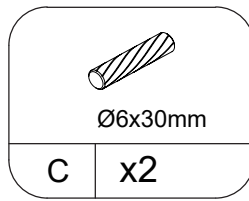
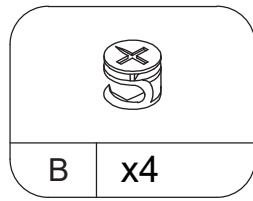
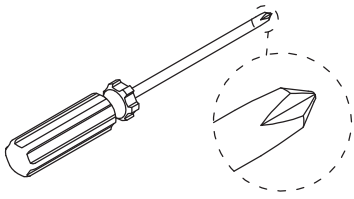
STEP 4



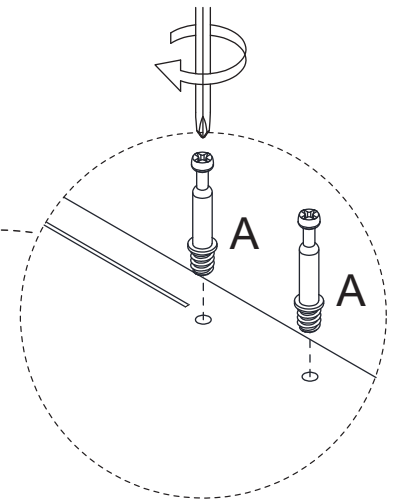
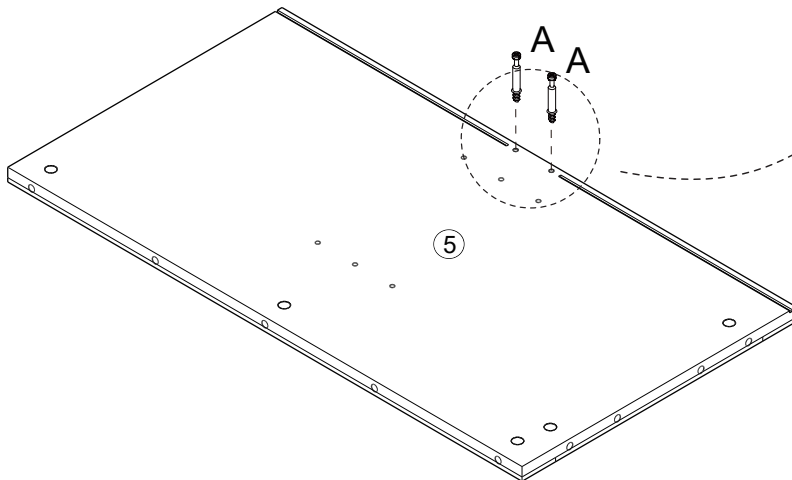
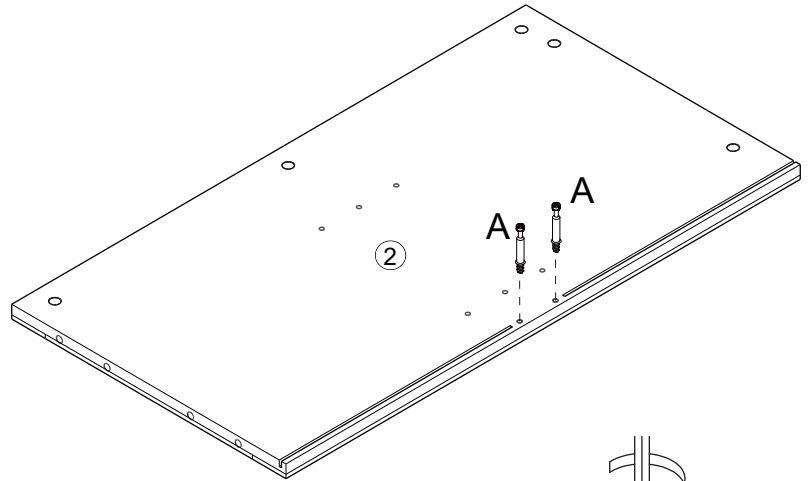
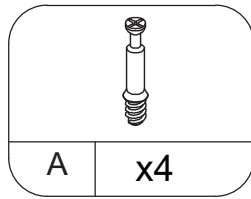
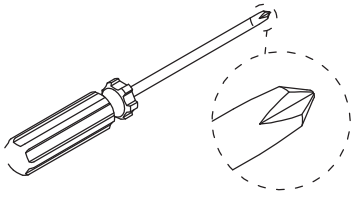
STEP 5



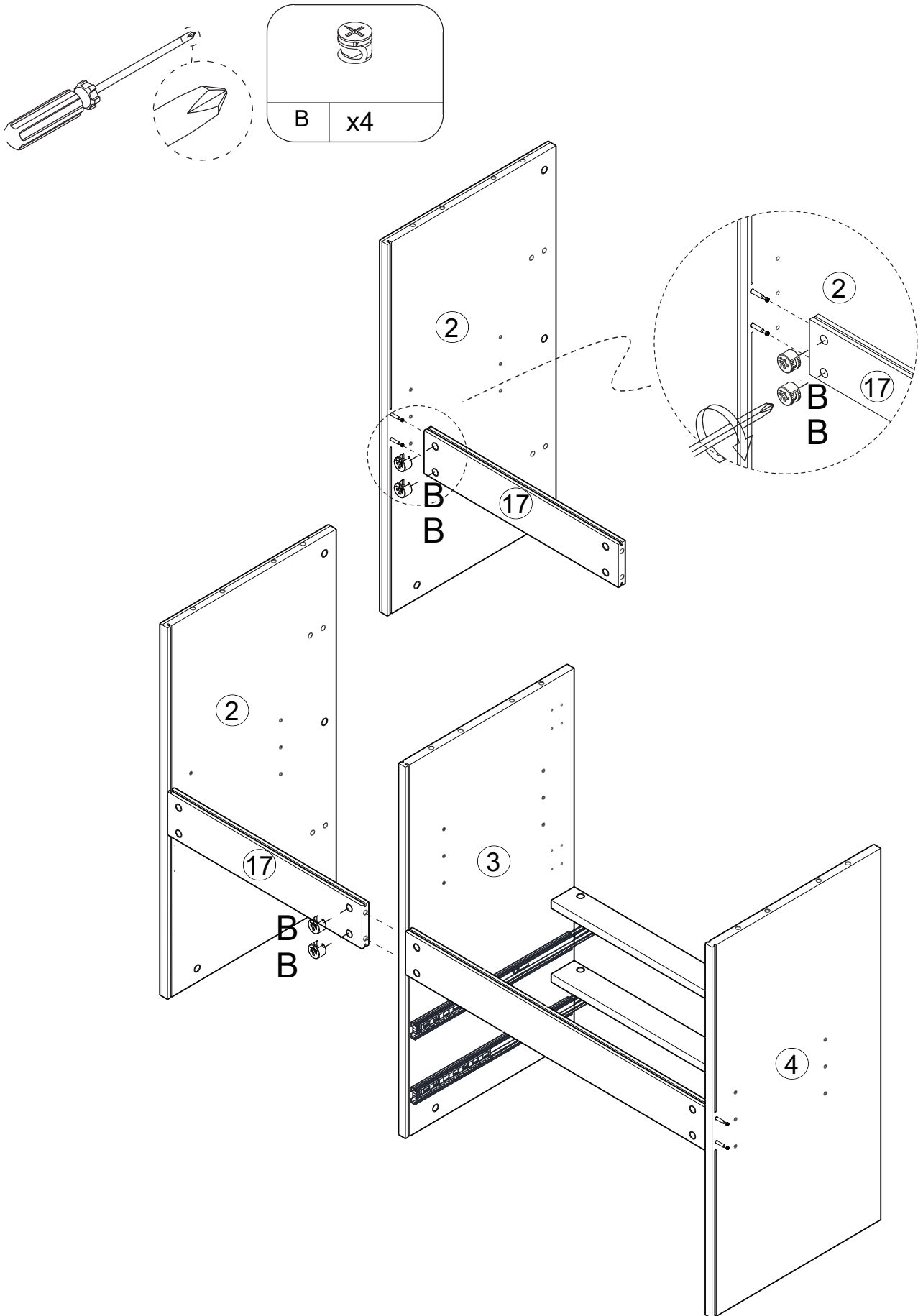
STEP 6



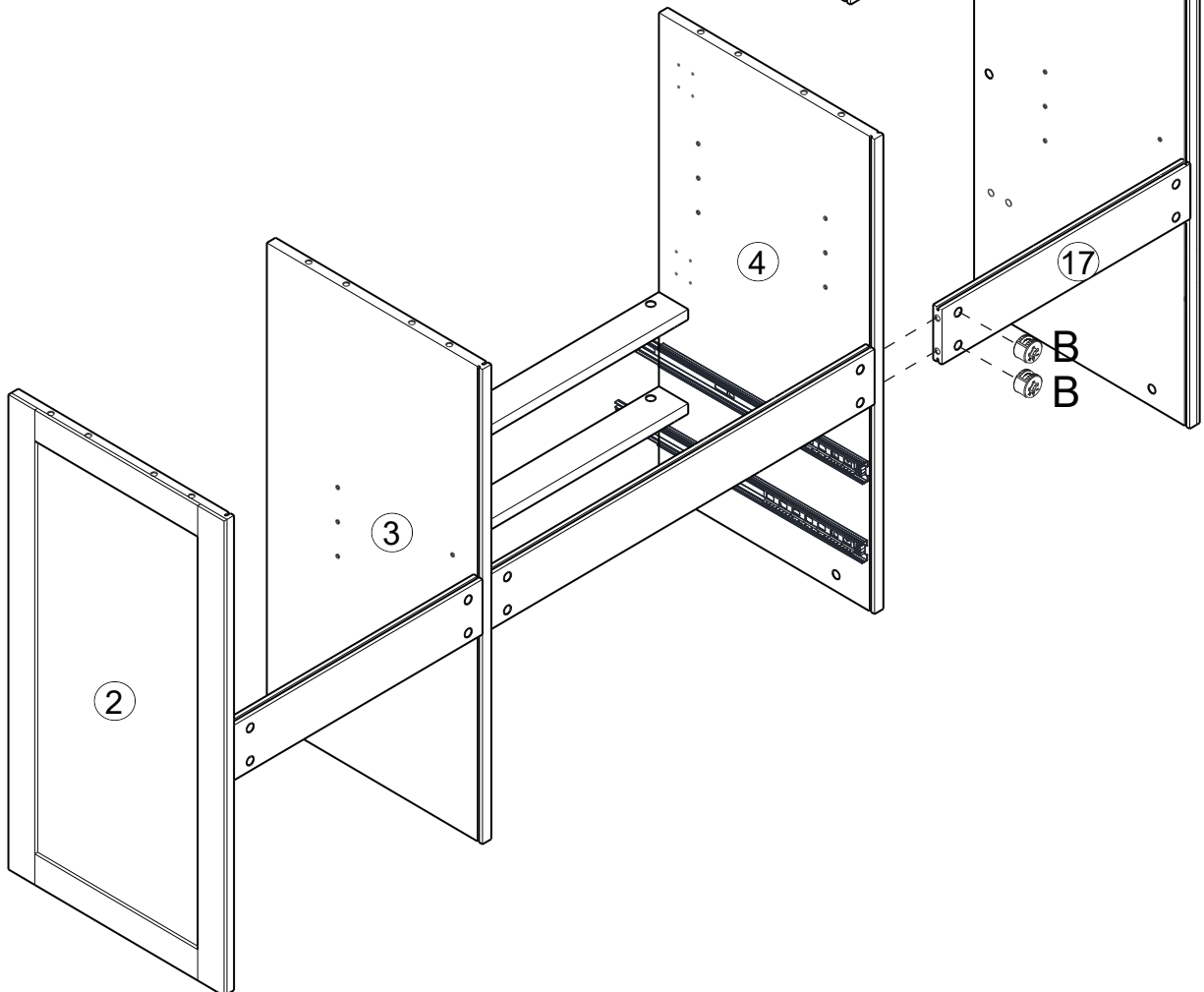
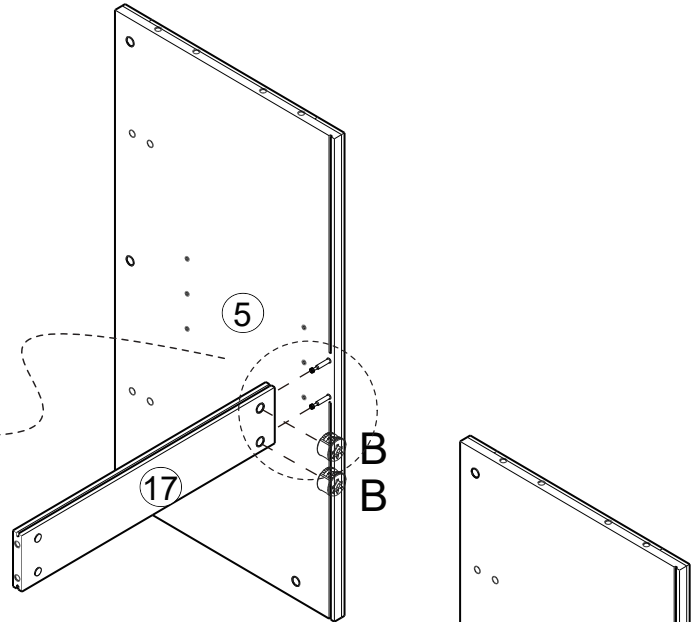
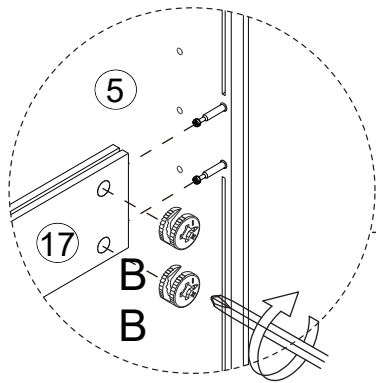
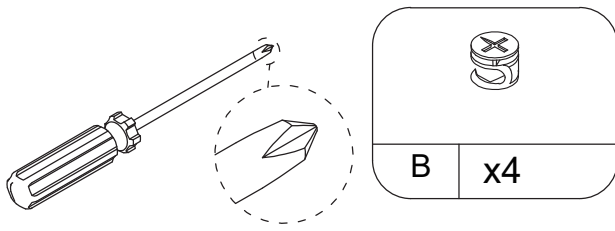
STEP 7



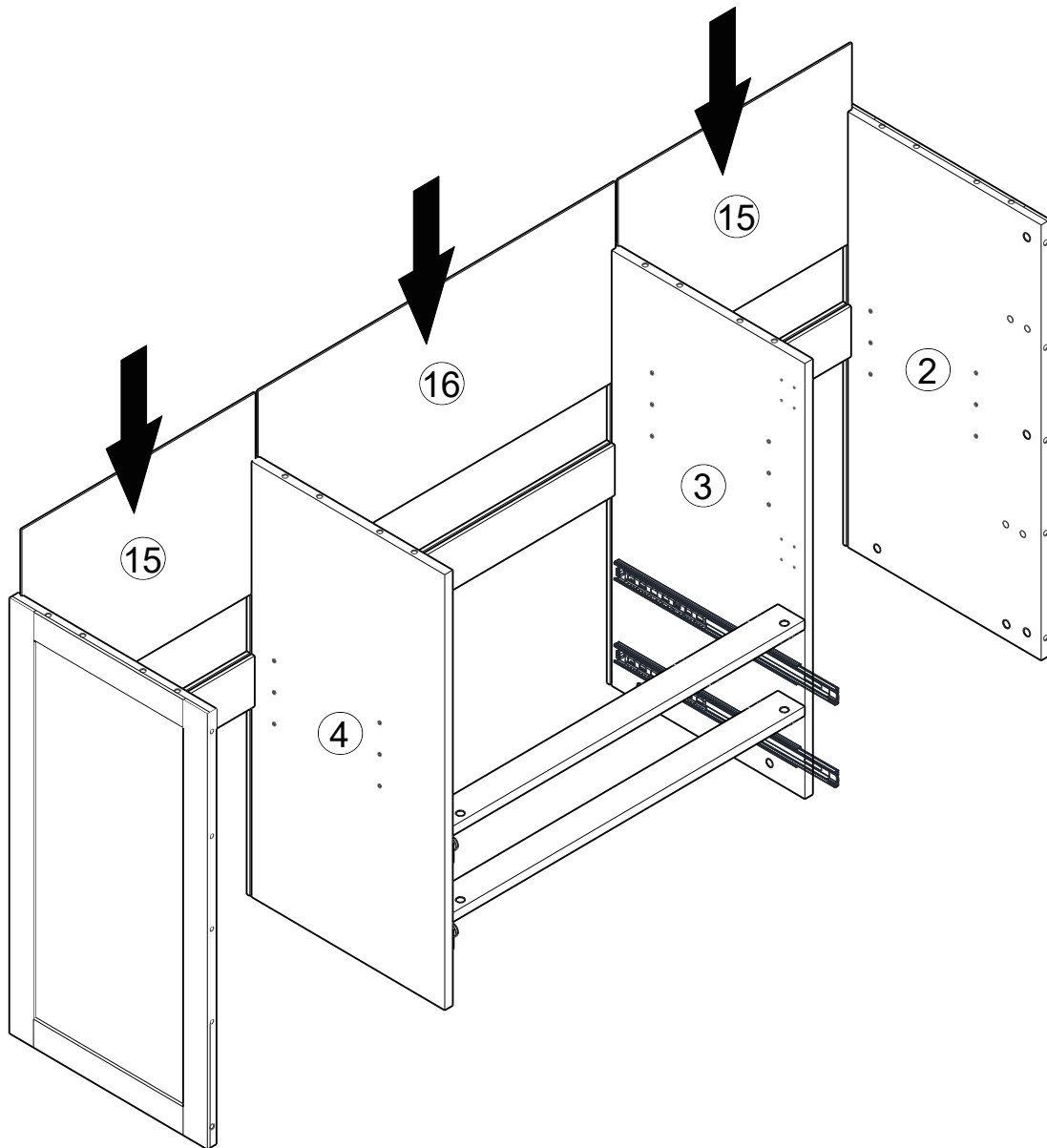
STEP 8



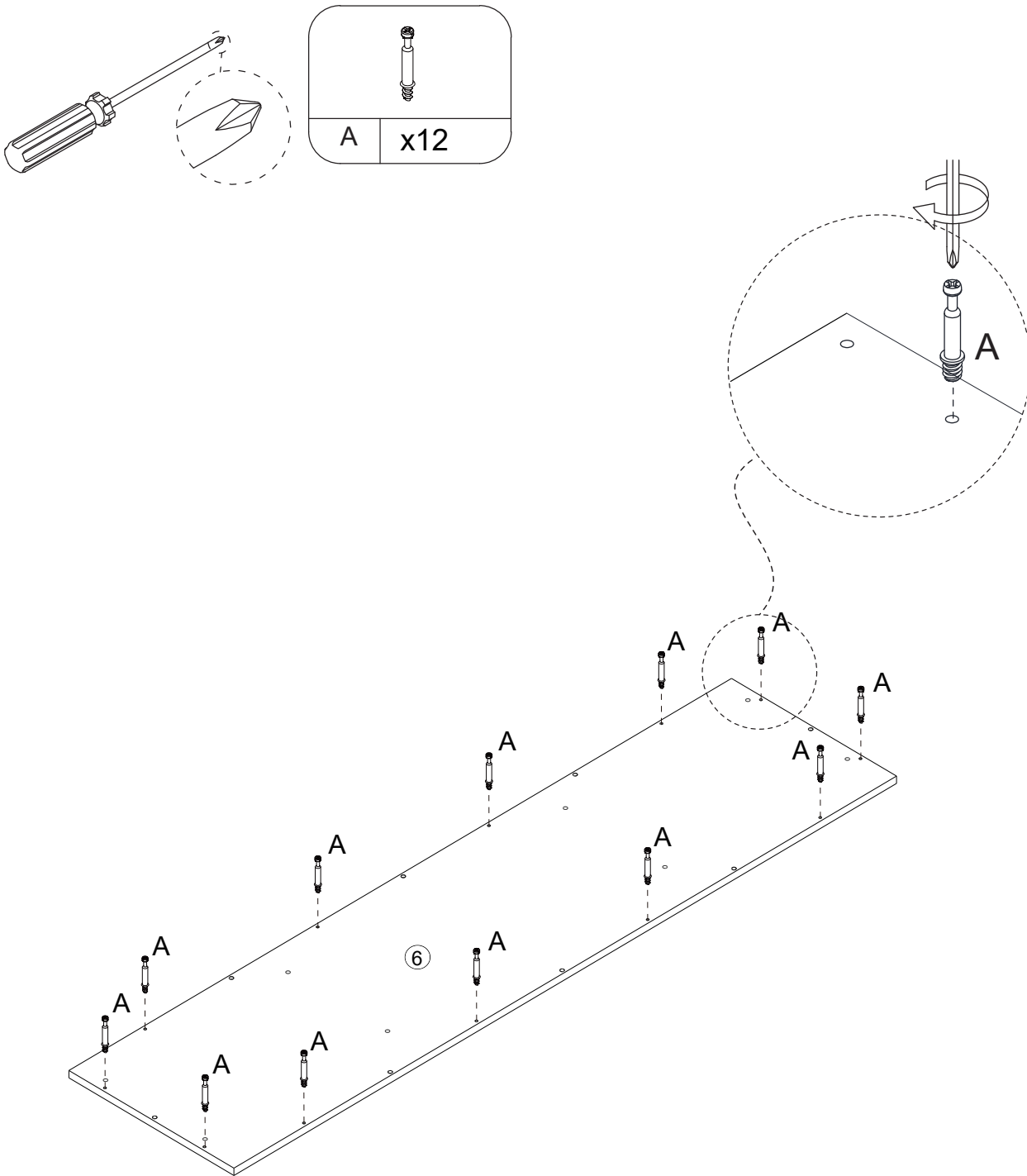
STEP 9



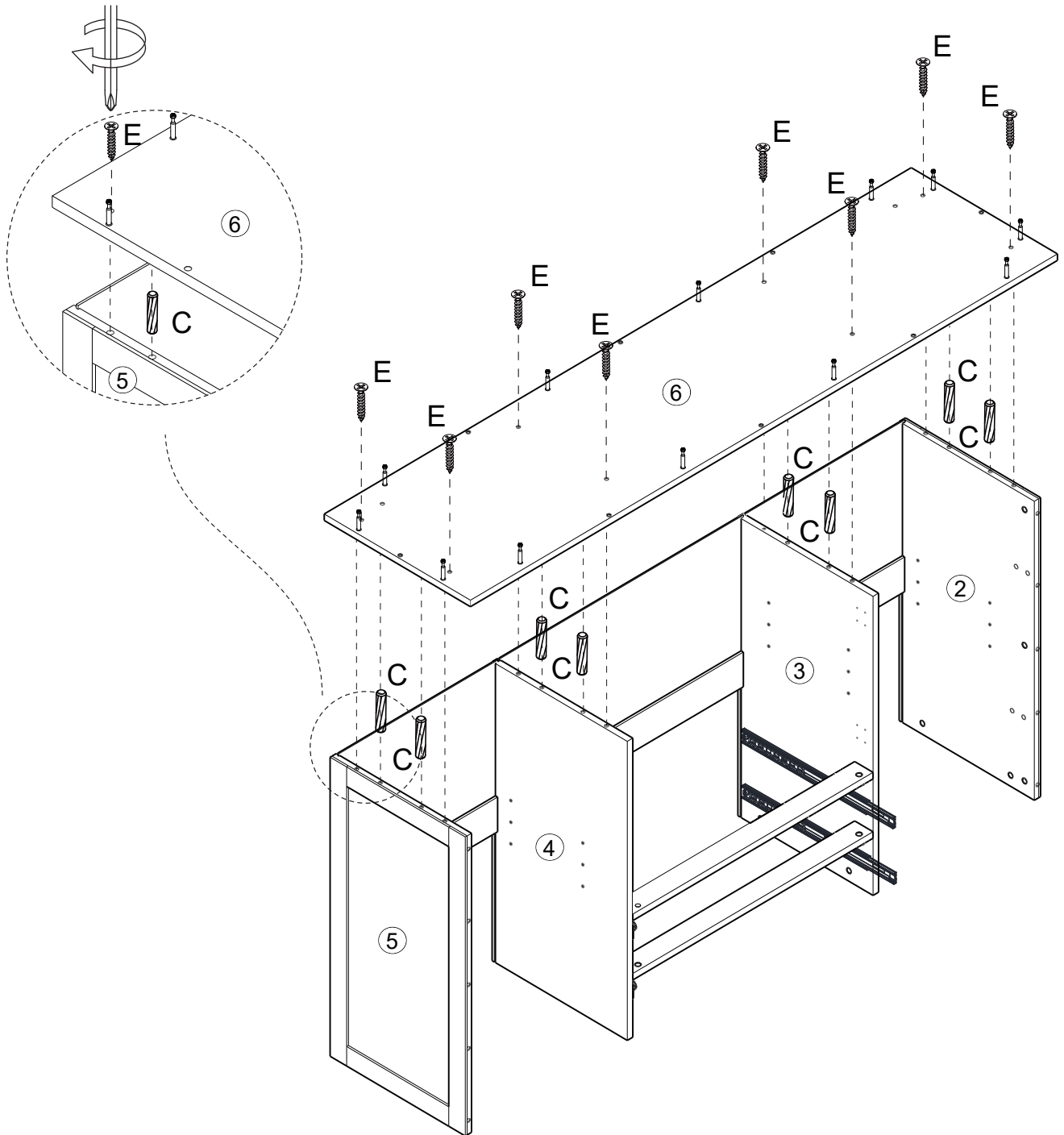
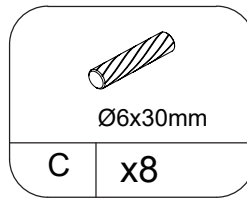
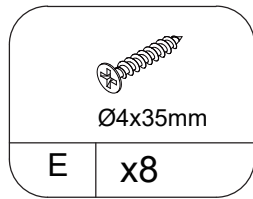
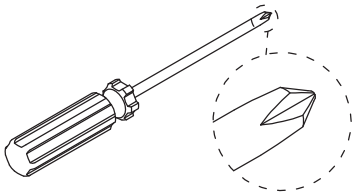
STEP 10



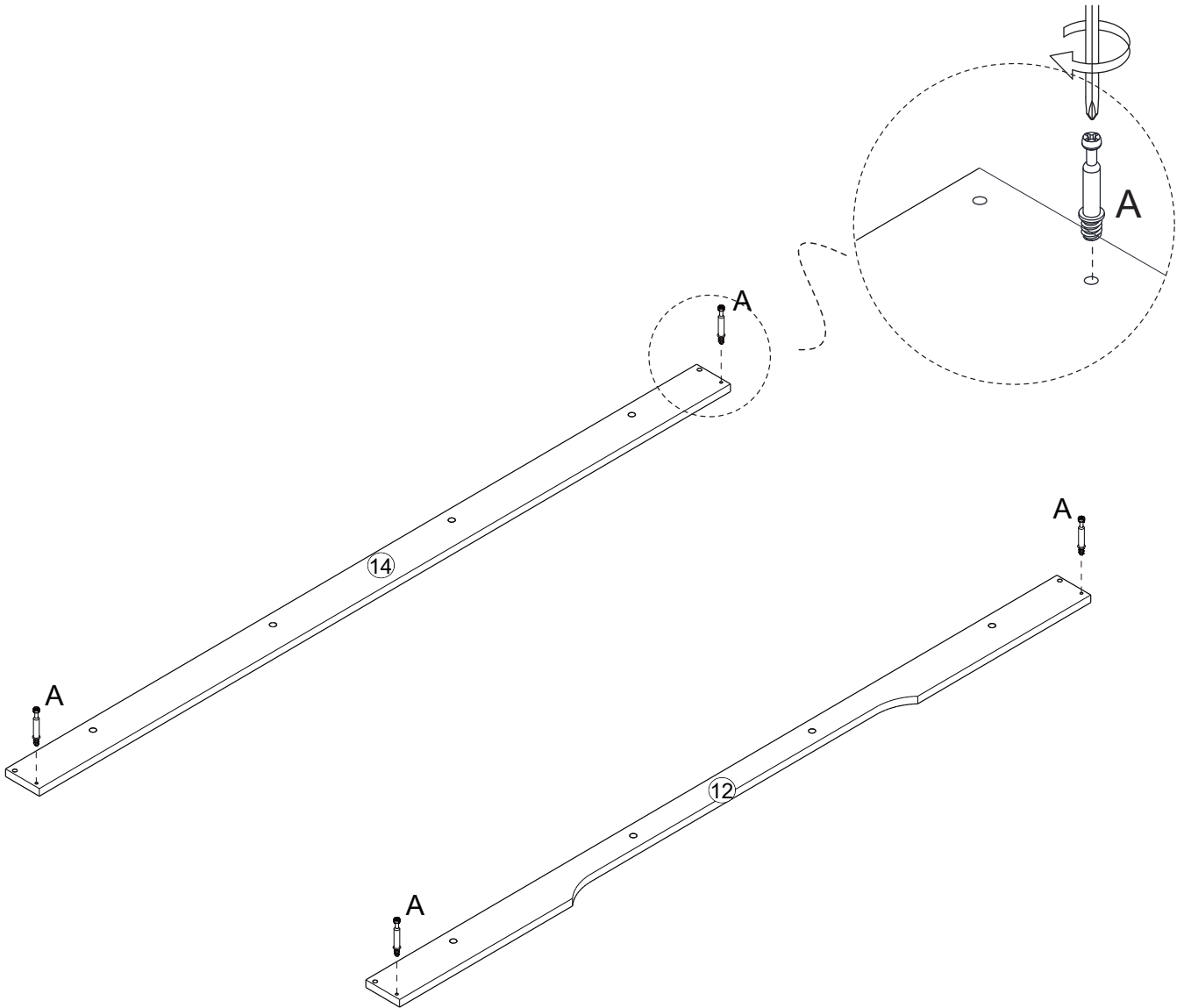
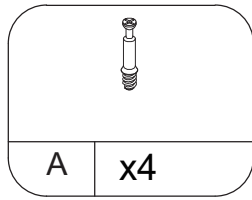
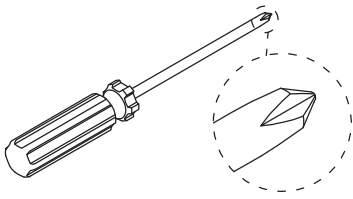
STEP 11



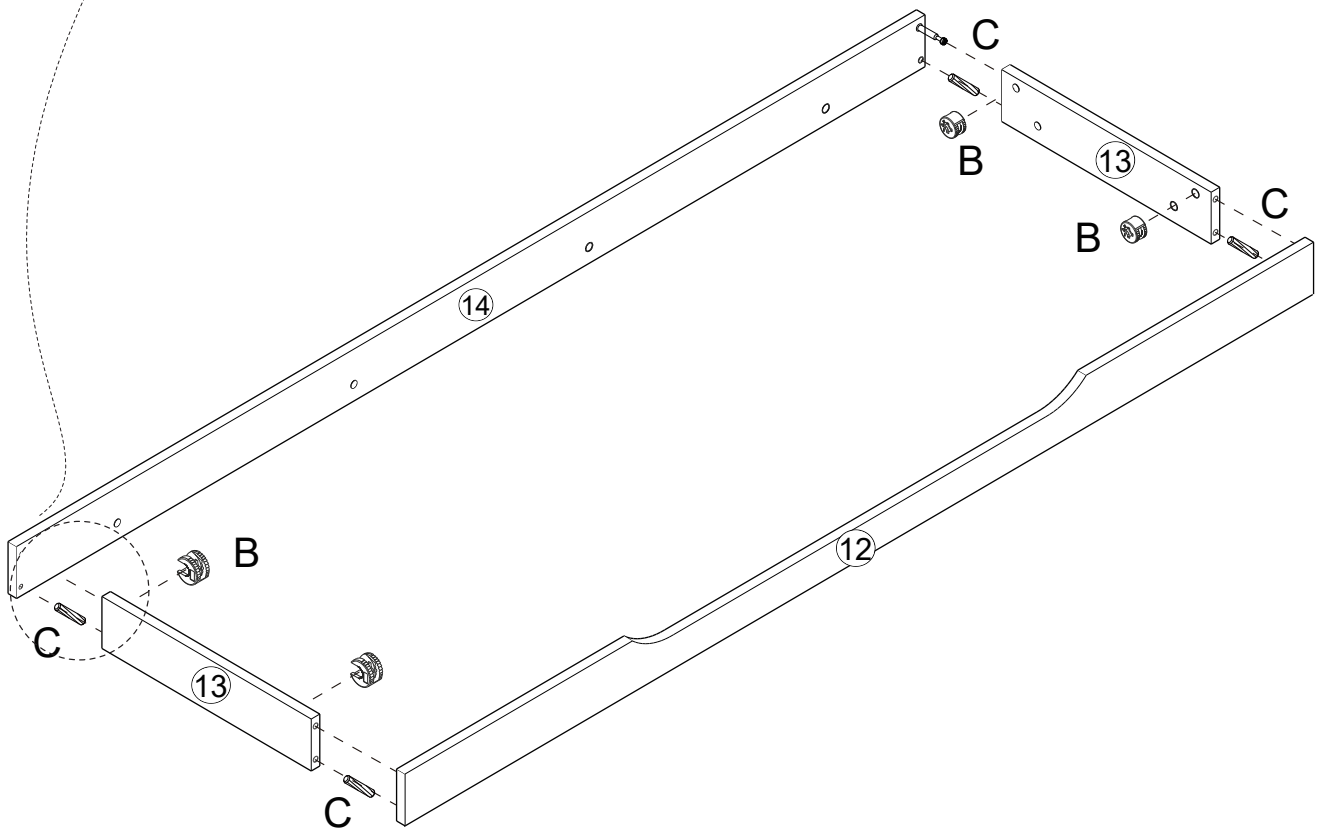
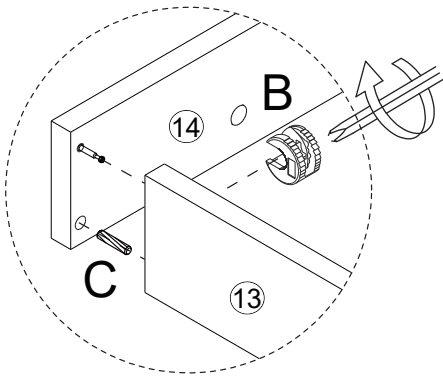
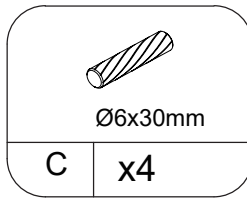
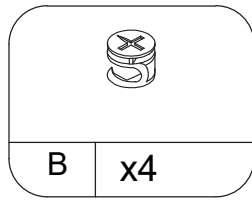
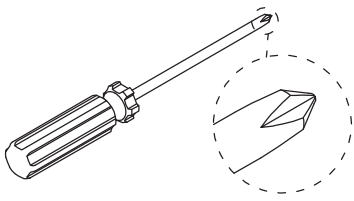
STEP 12



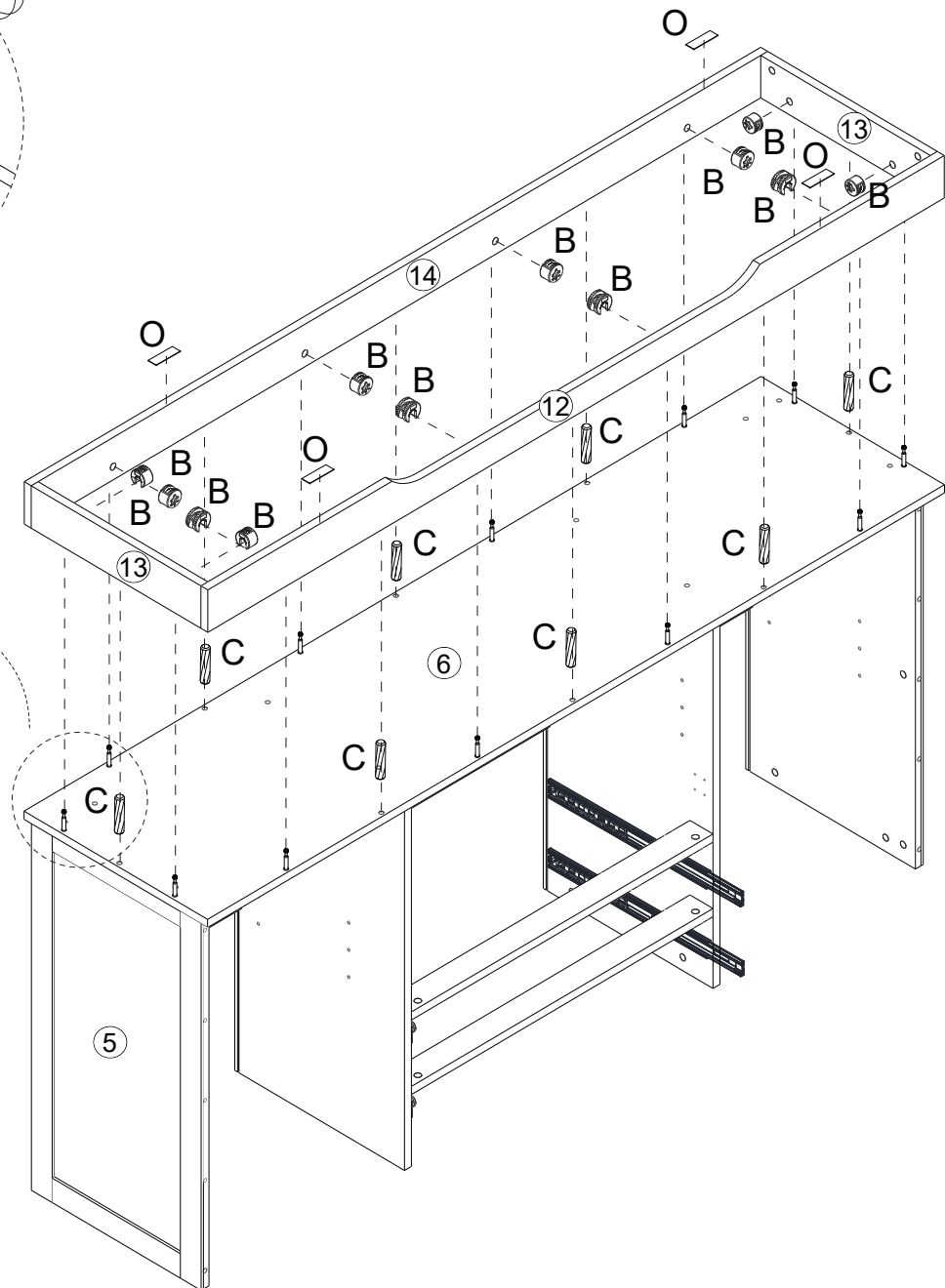
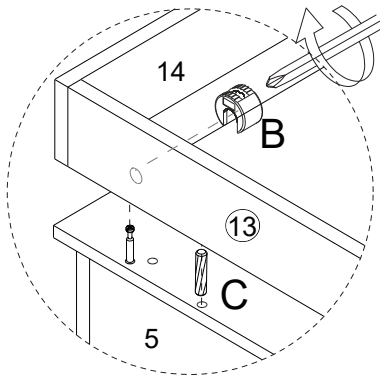
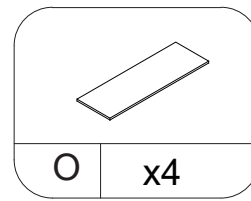
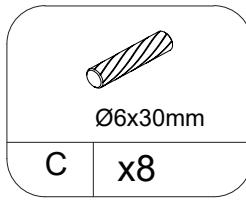
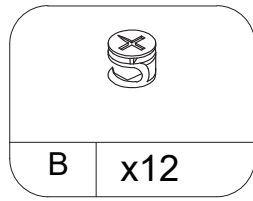
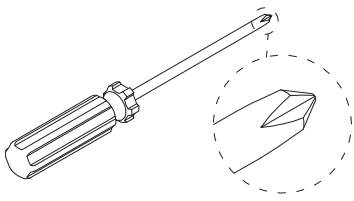
STEP 13



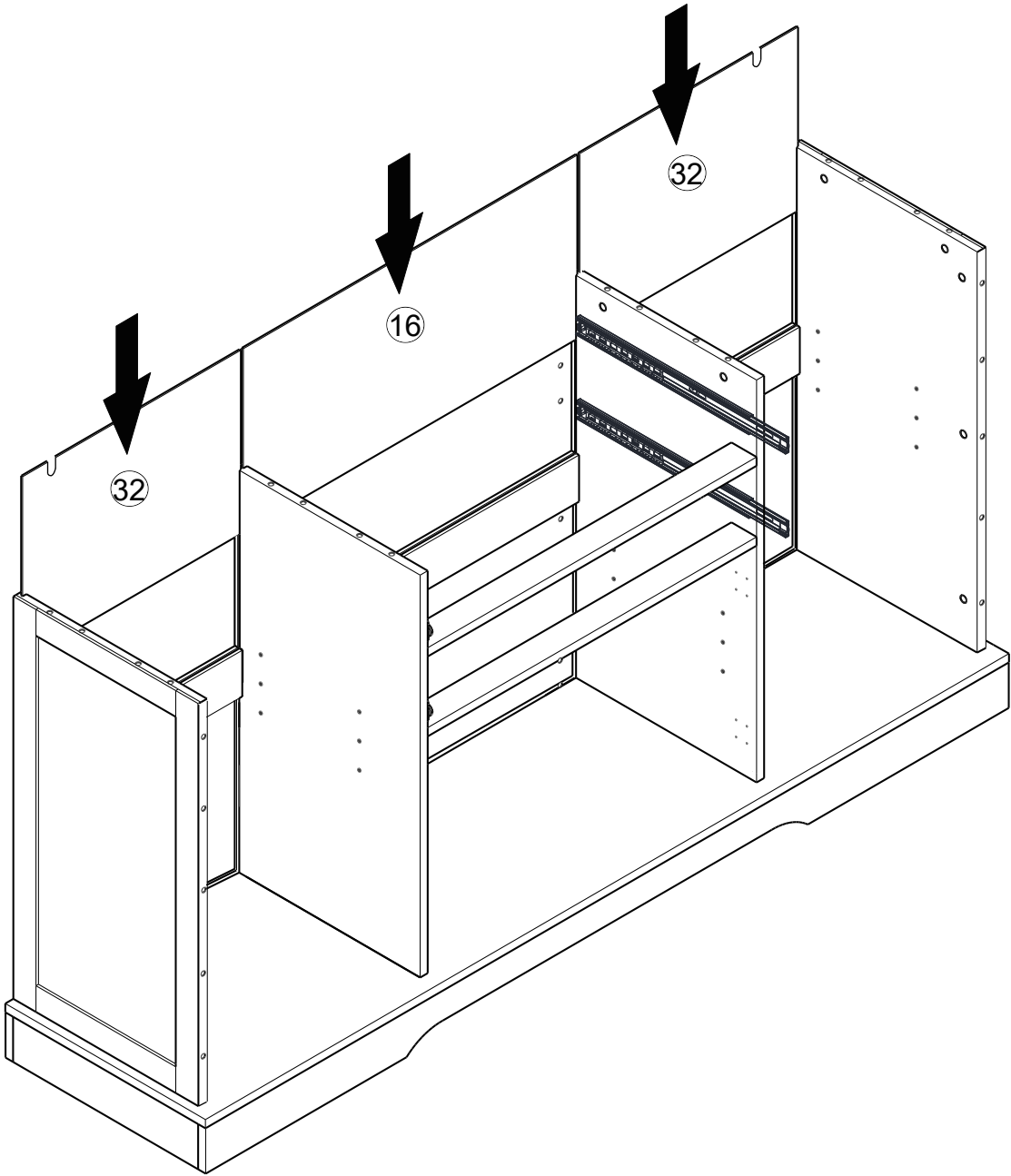
STEP 14



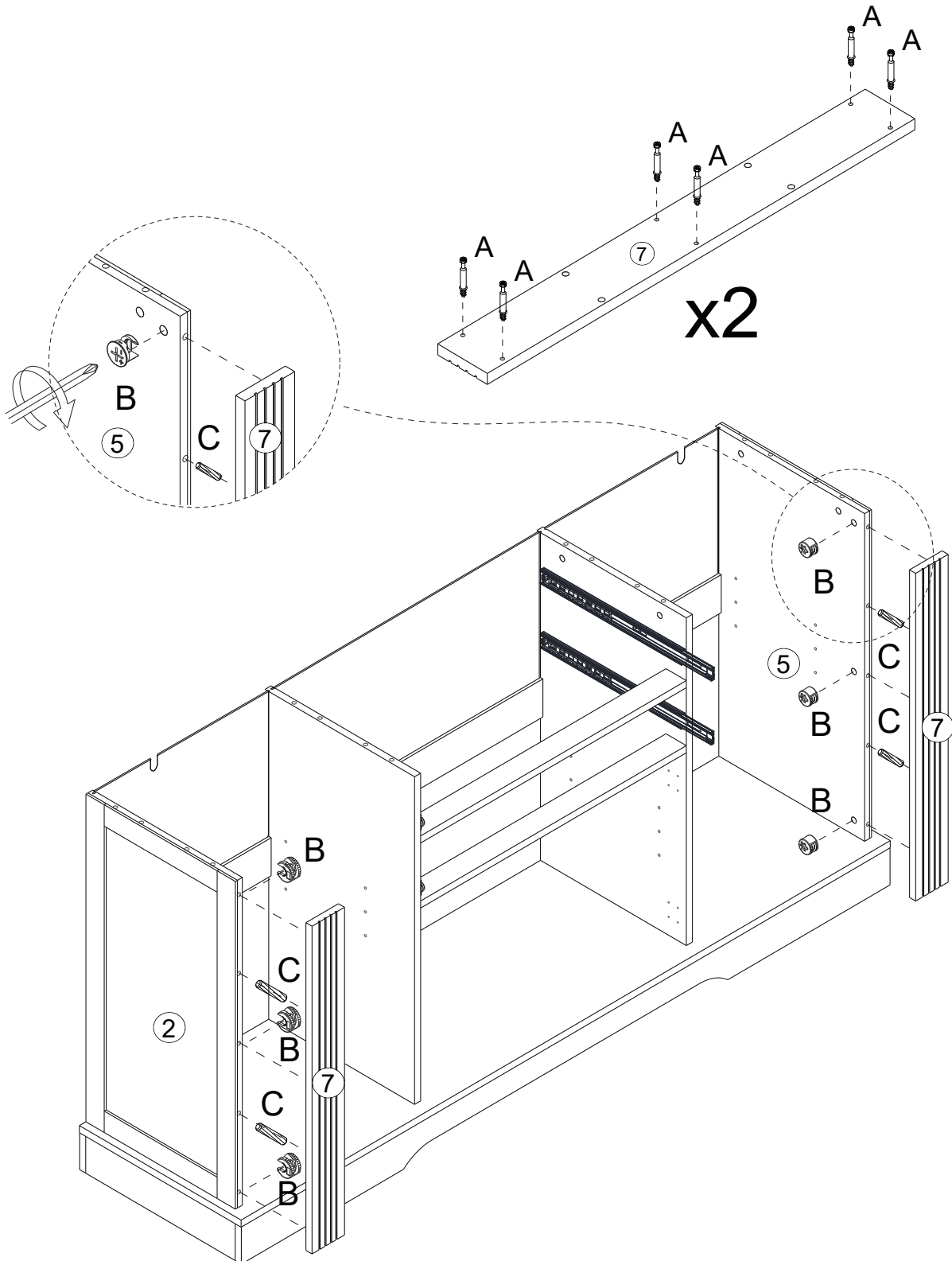
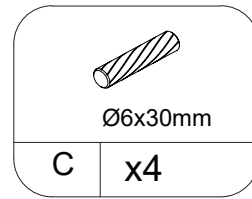
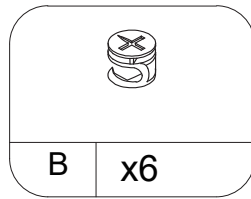
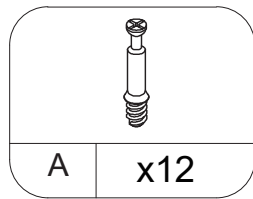
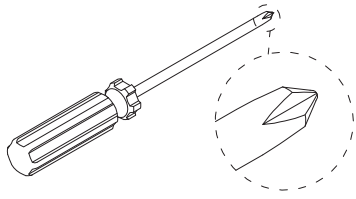
STEP 15



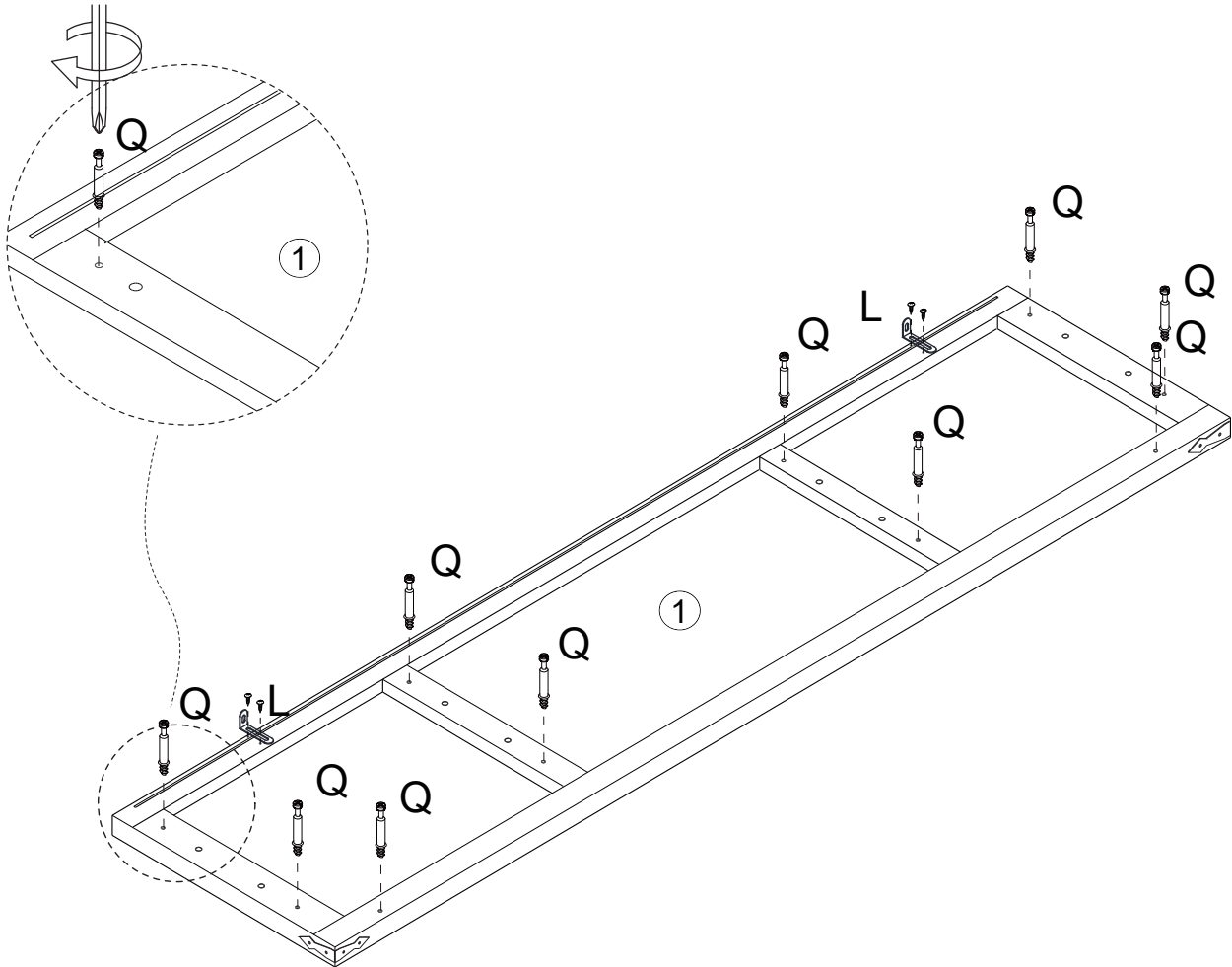
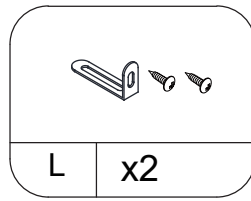
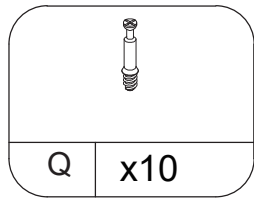
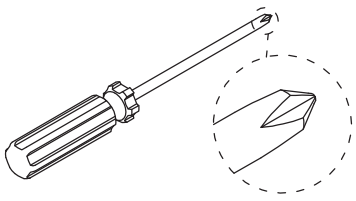
STEP 16



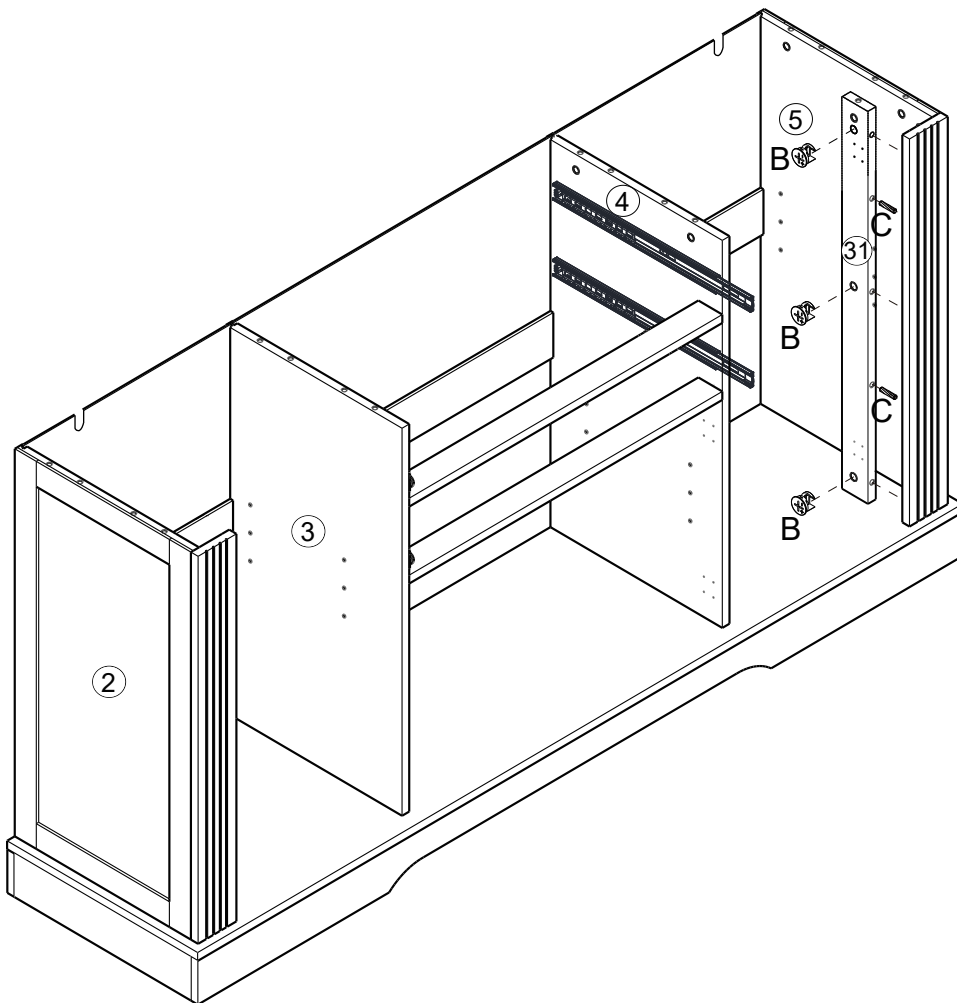
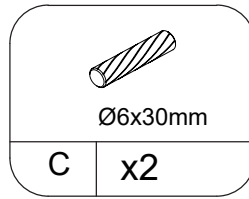
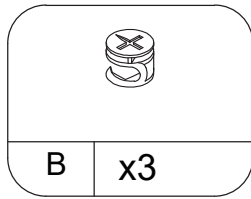
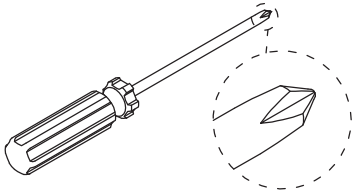
STEP 17



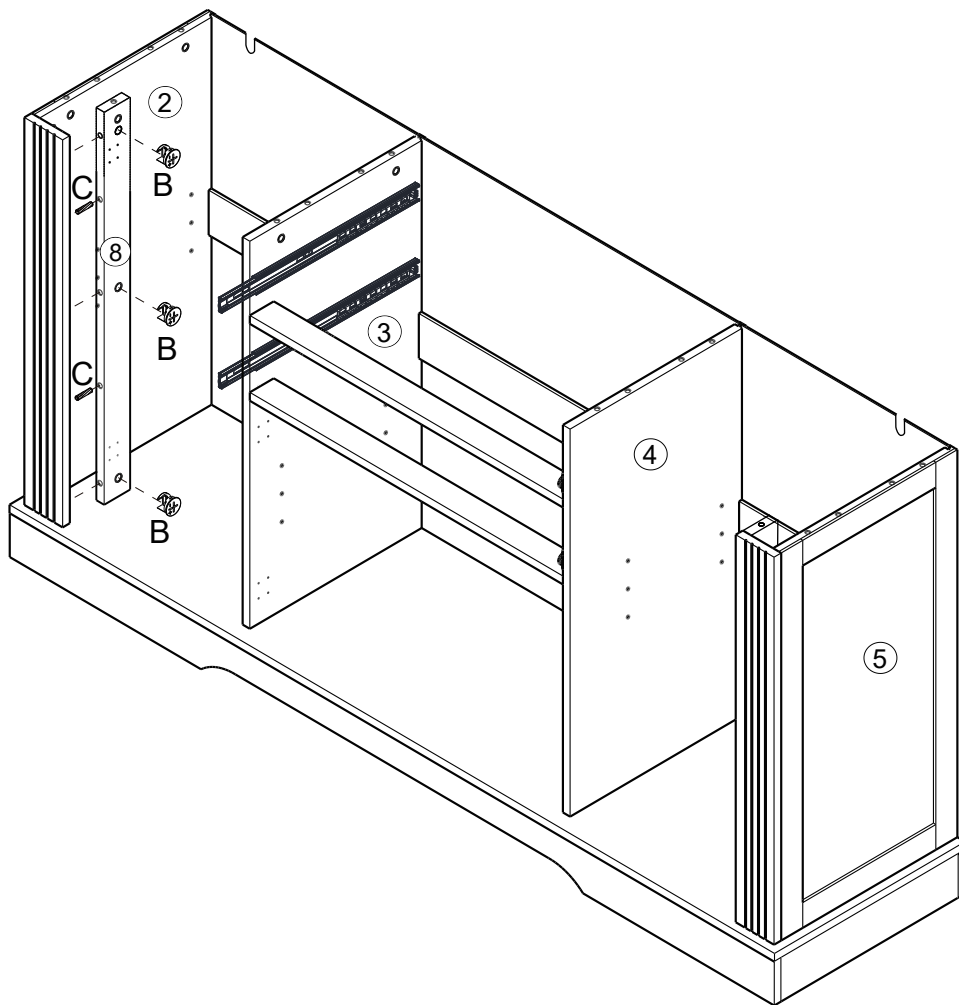
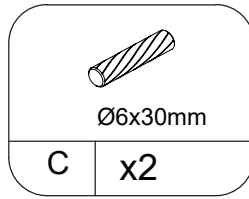
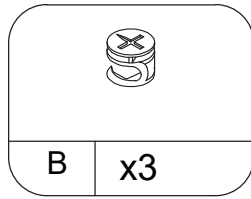
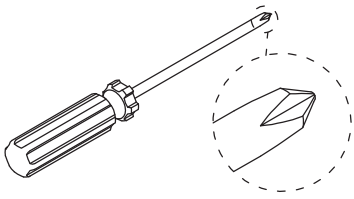
STEP 18



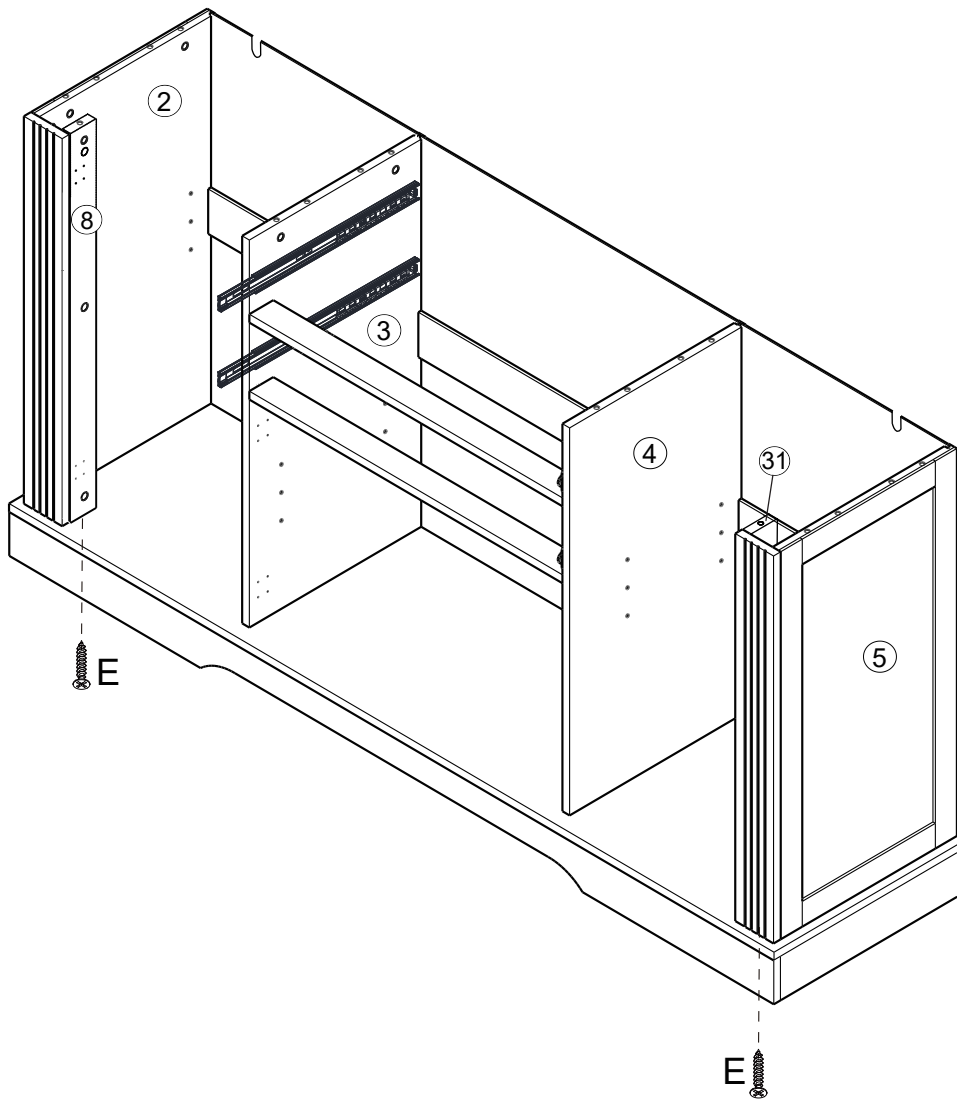
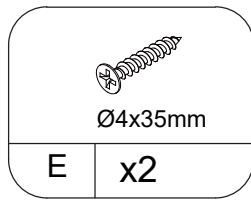
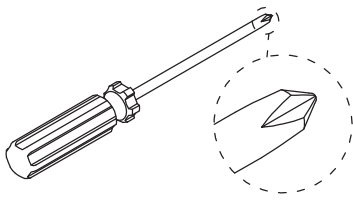
STEP 19



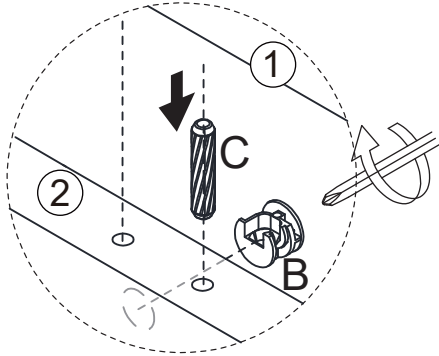
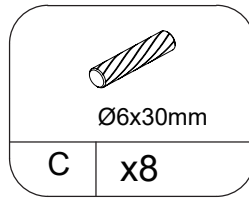
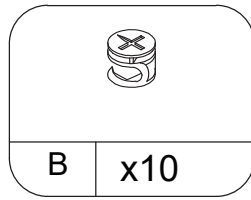
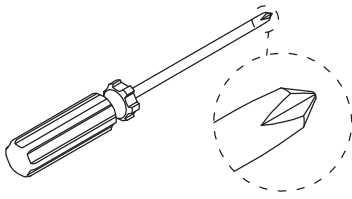
STEP 20



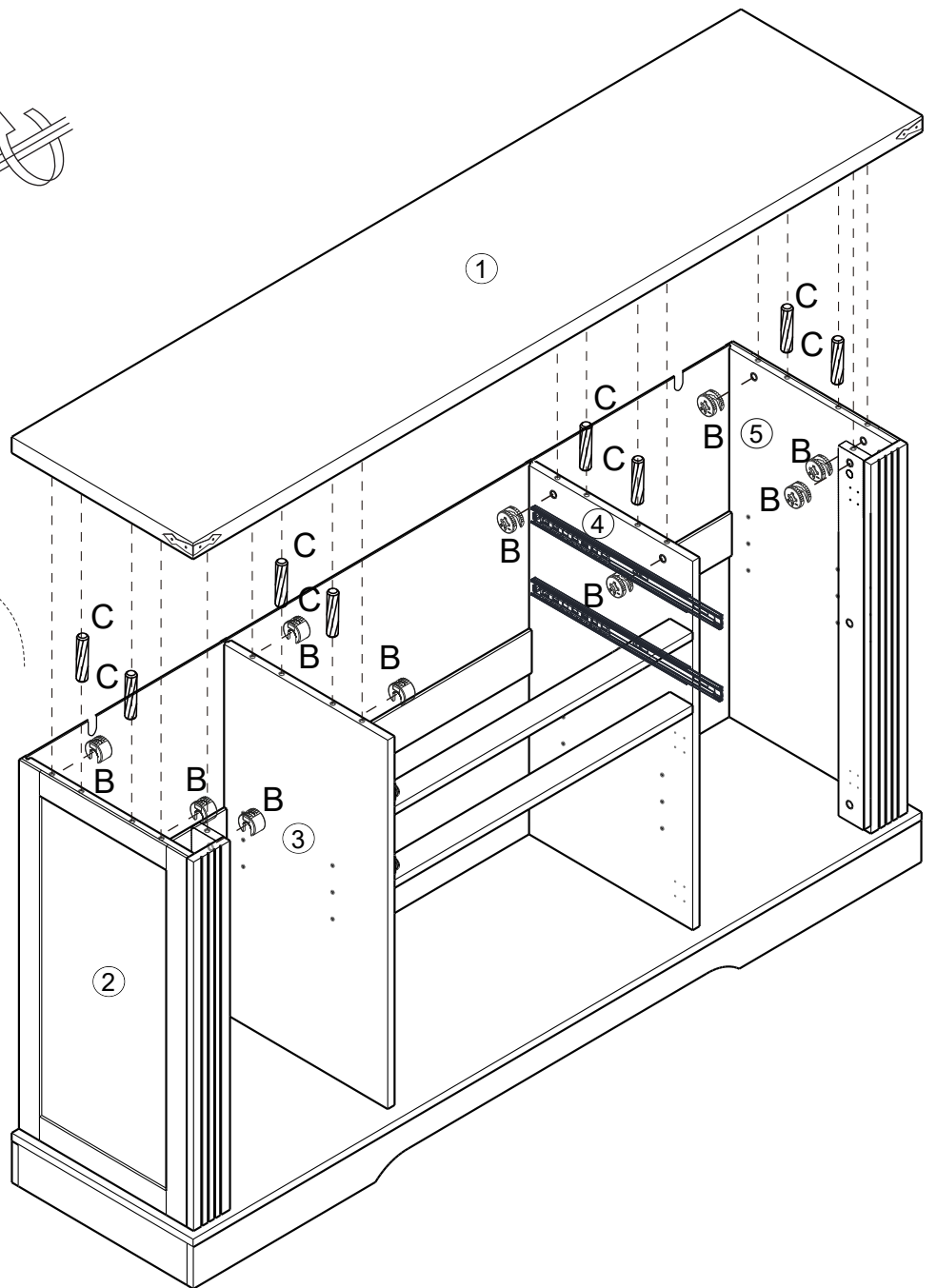
STEP 21



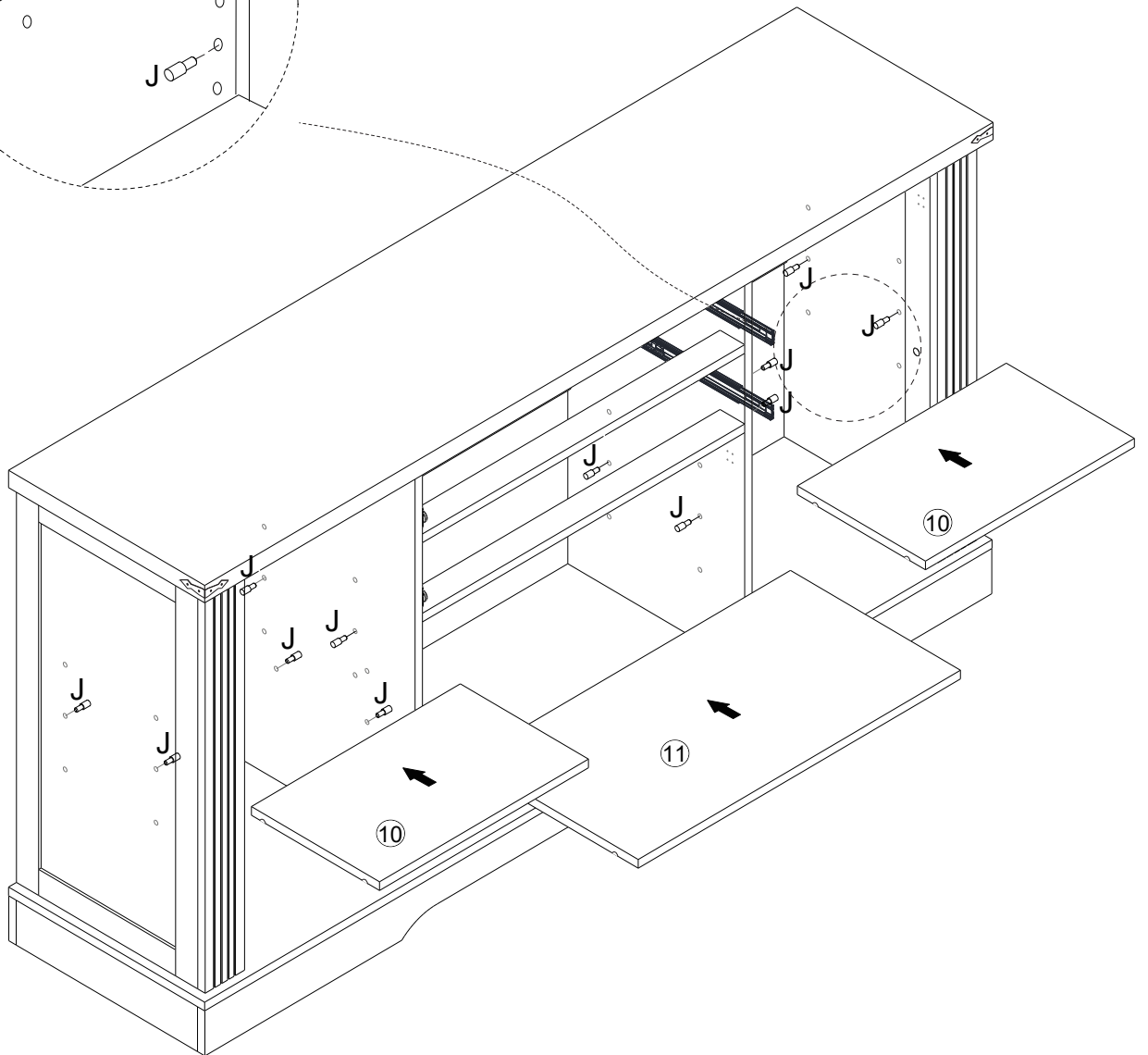
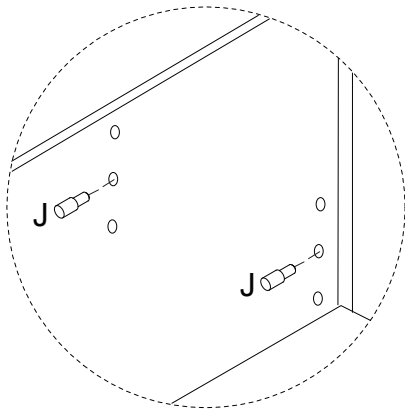
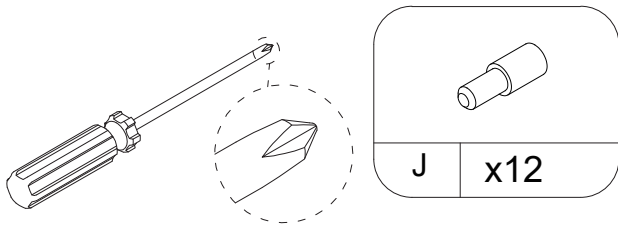
STEP 22



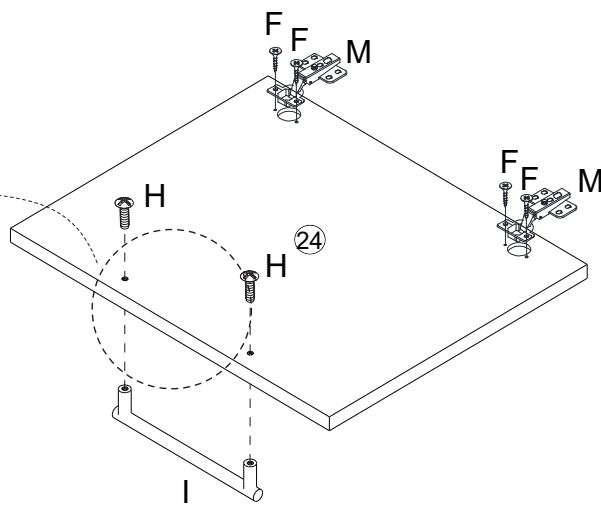
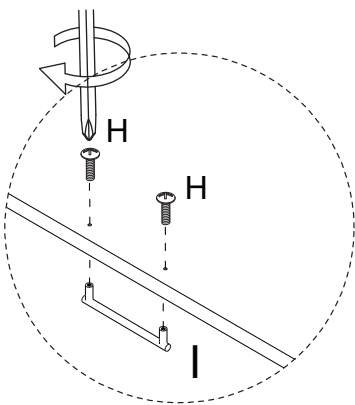
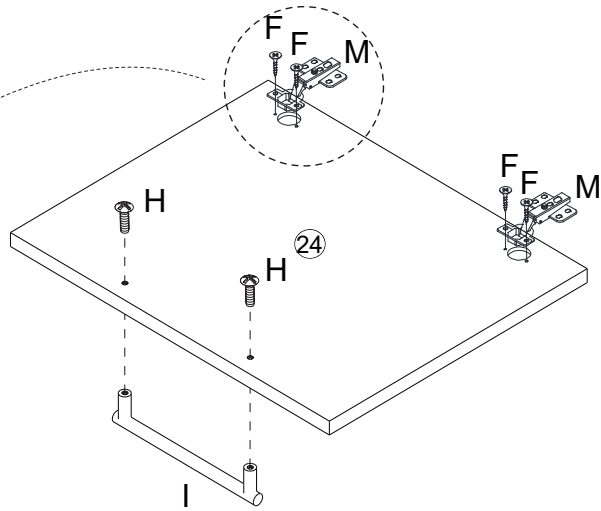
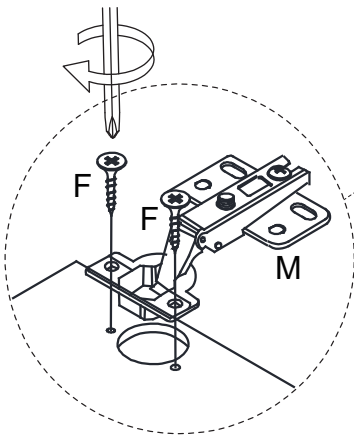
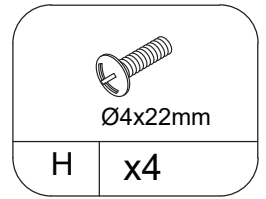
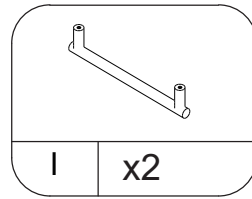
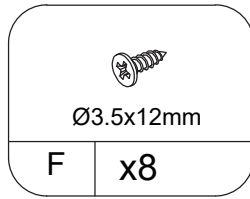
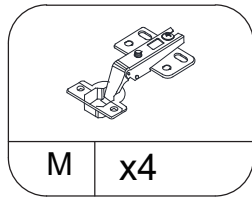
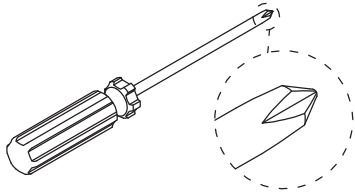
31



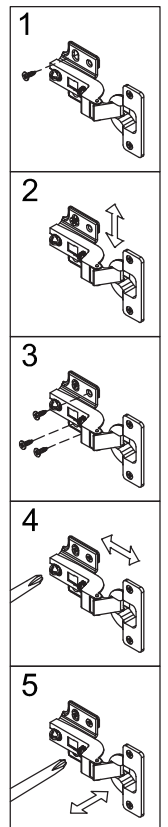
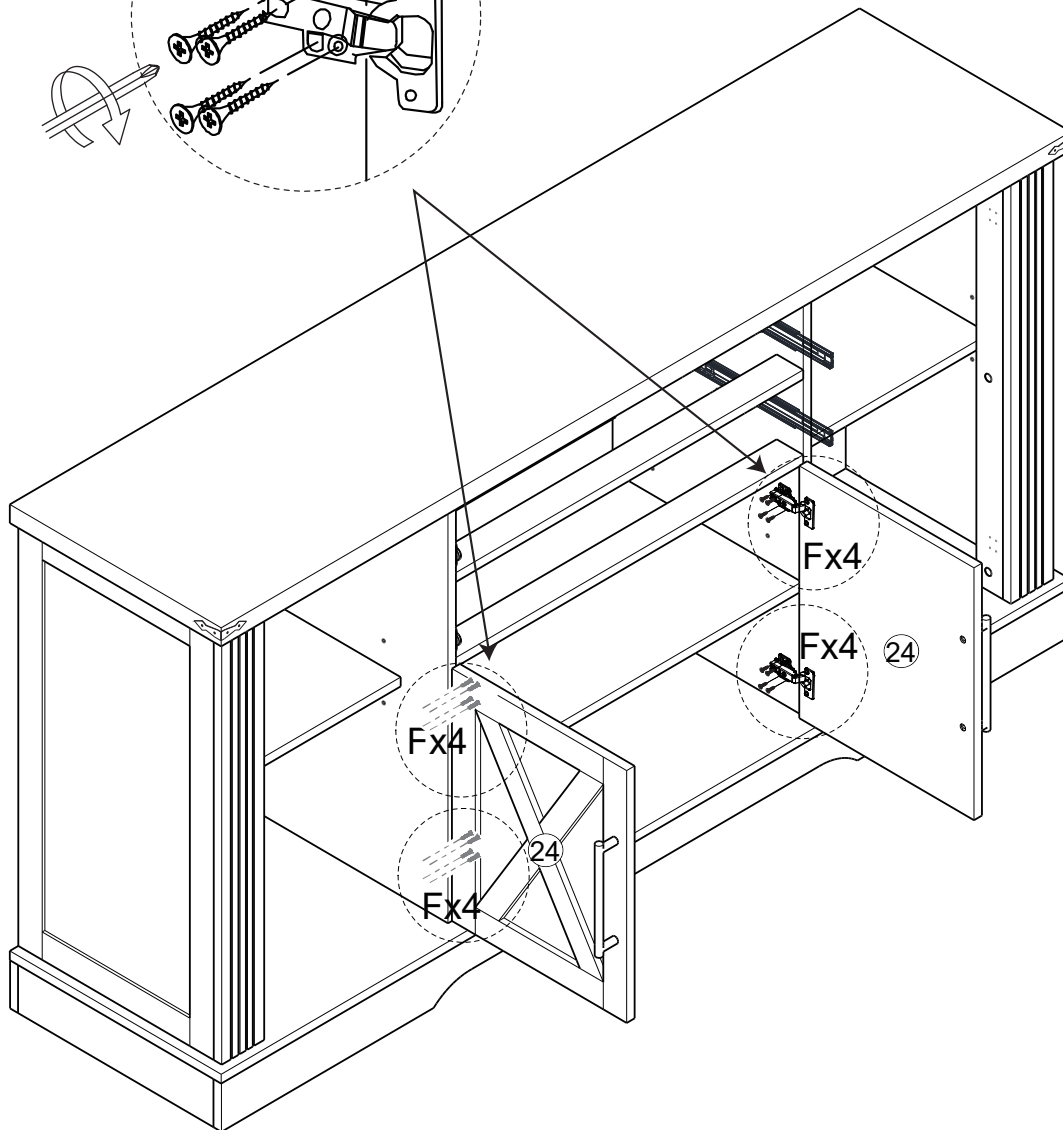
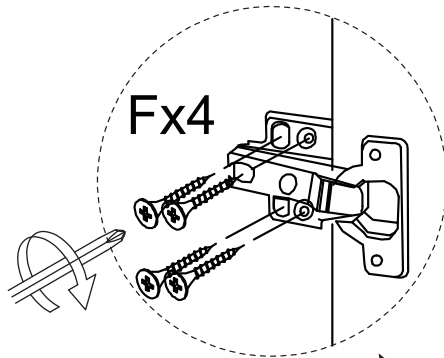
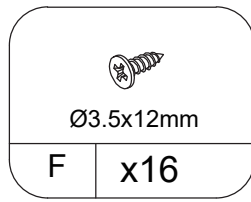
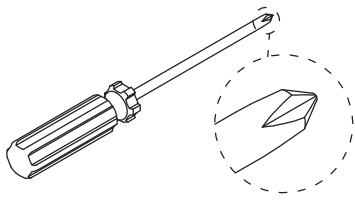
STEP 23



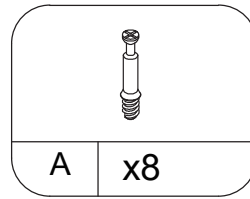
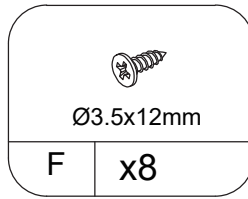
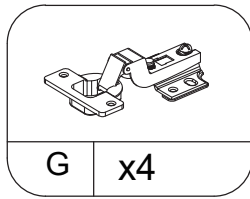
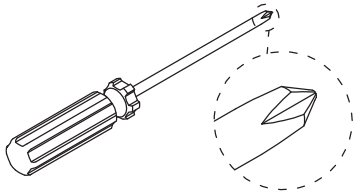
STEP 24



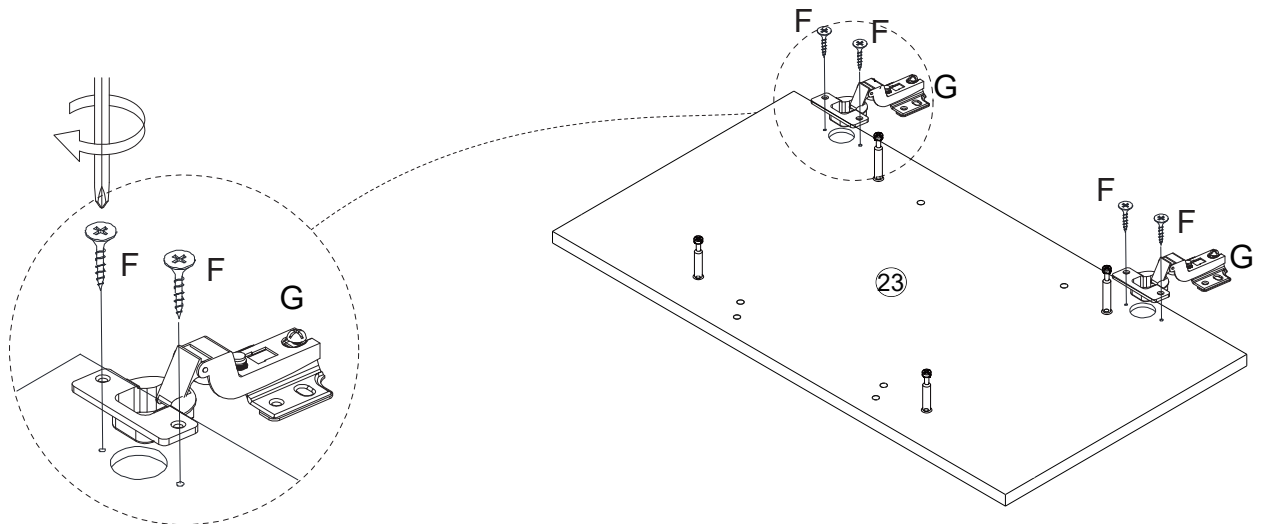
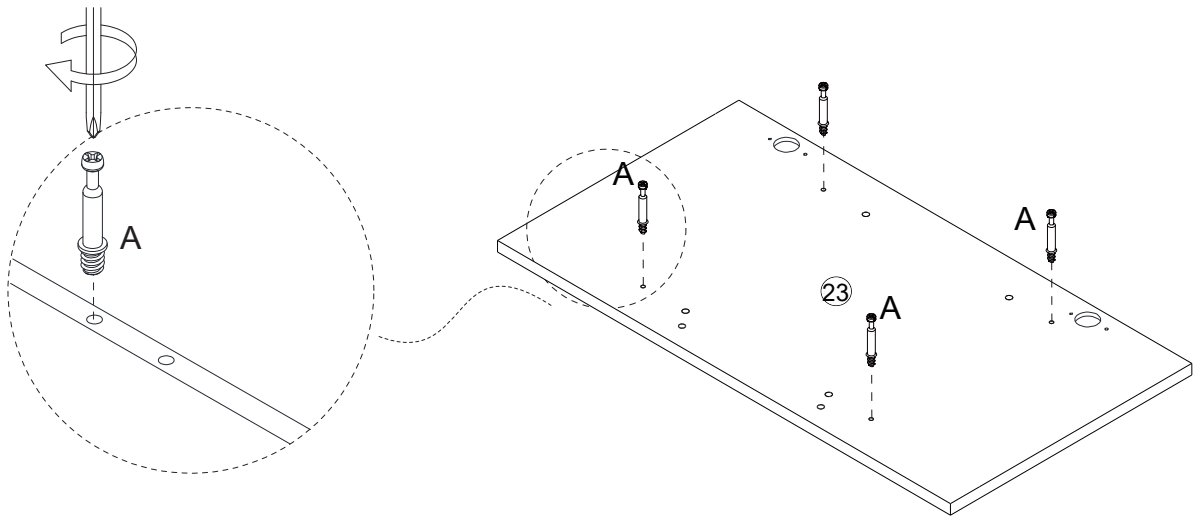
STEP 25



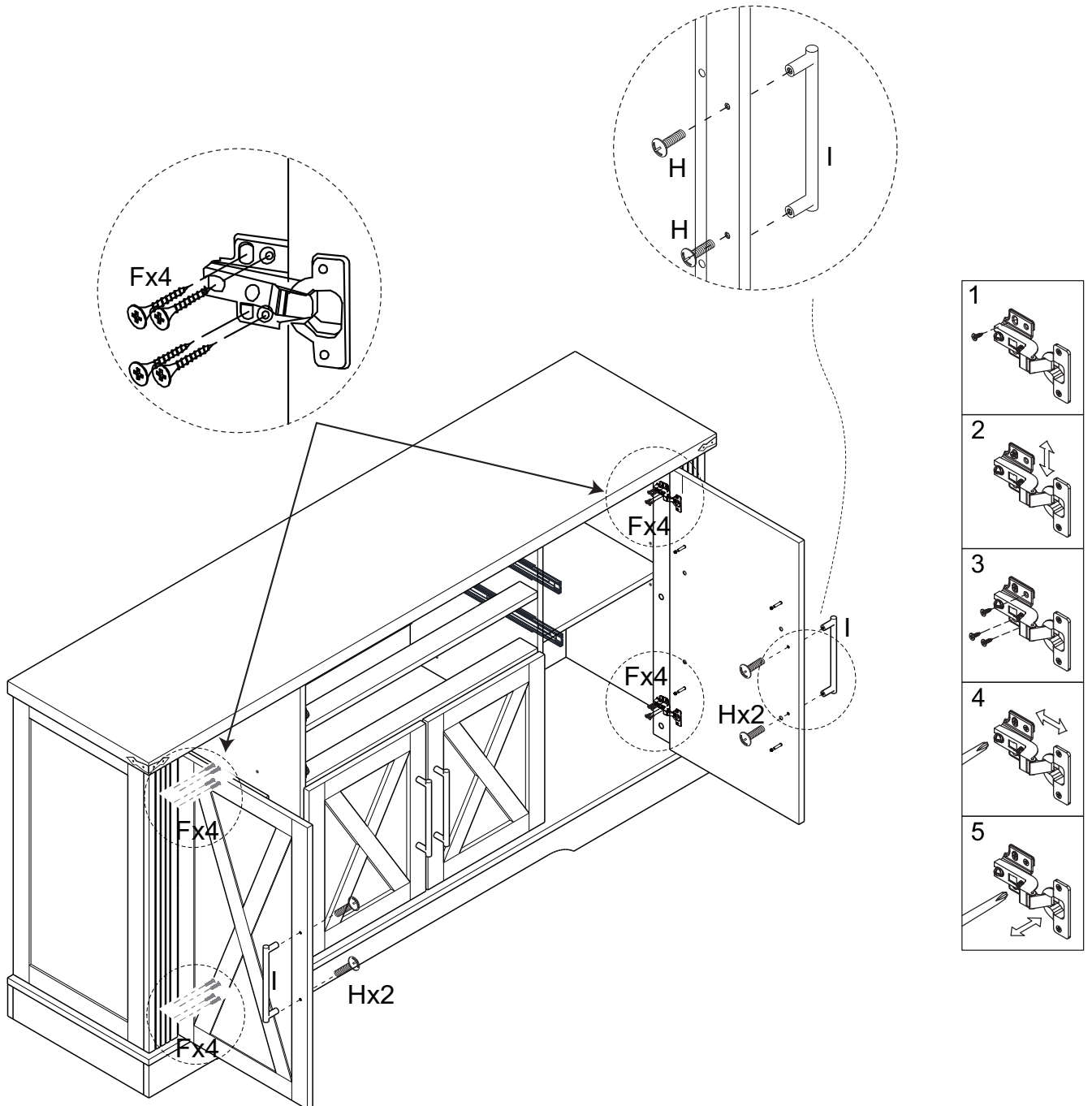
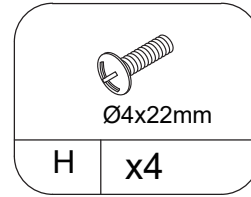
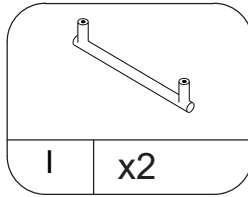
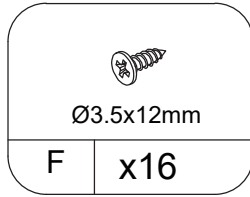
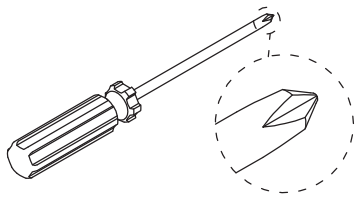
STEP 26



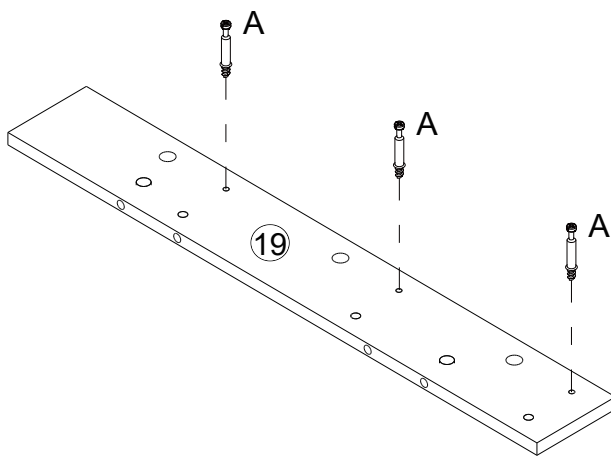
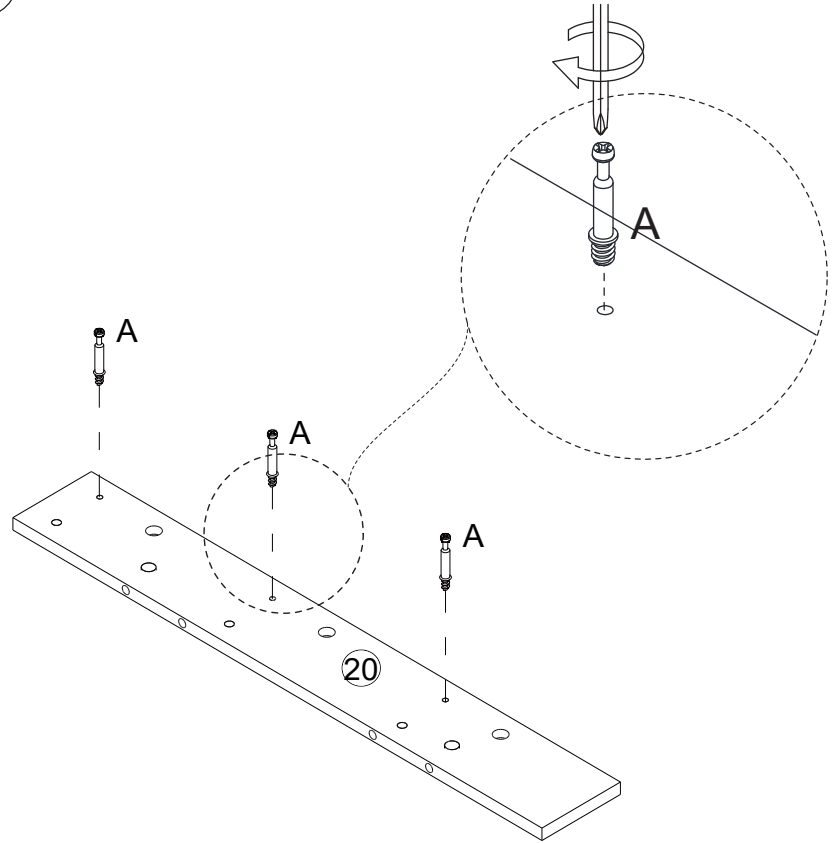
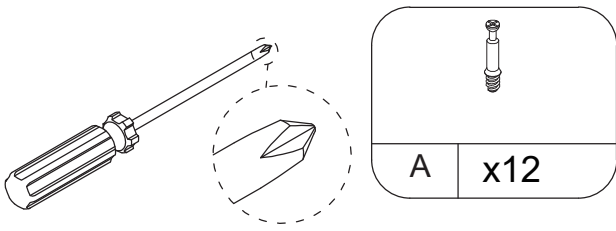
x2



STEP 27

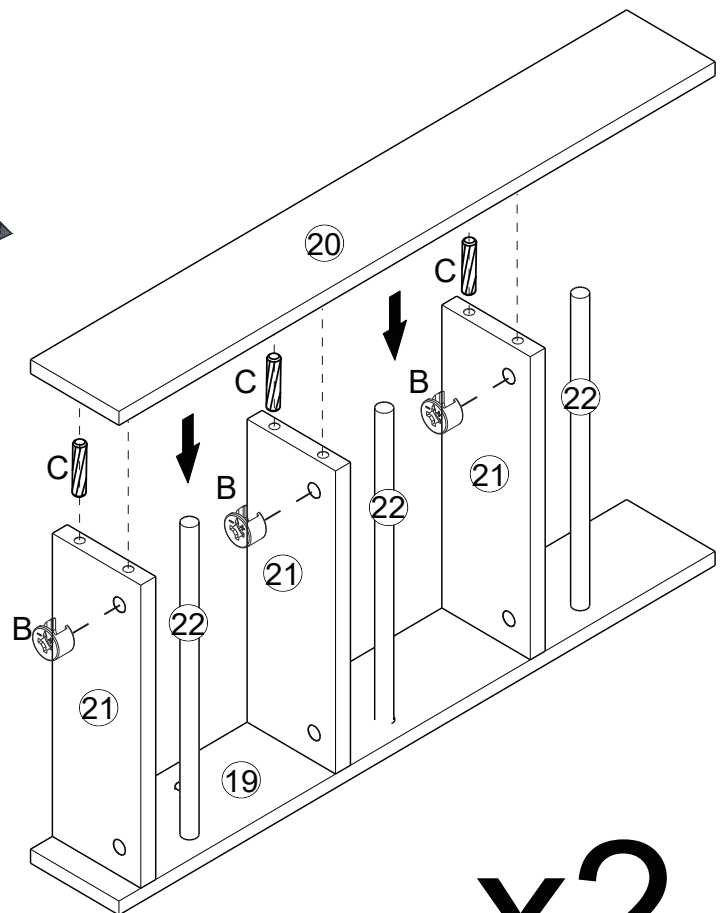
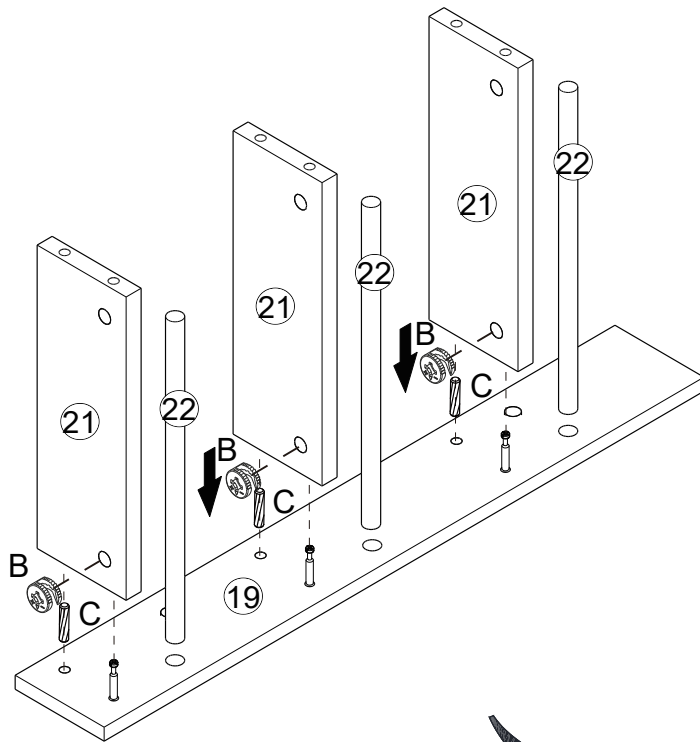
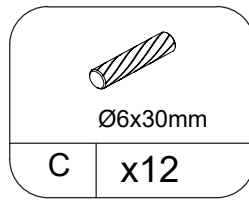
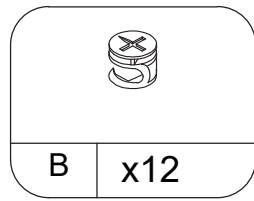
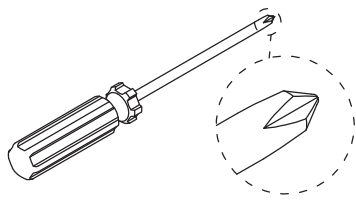


STEP 28



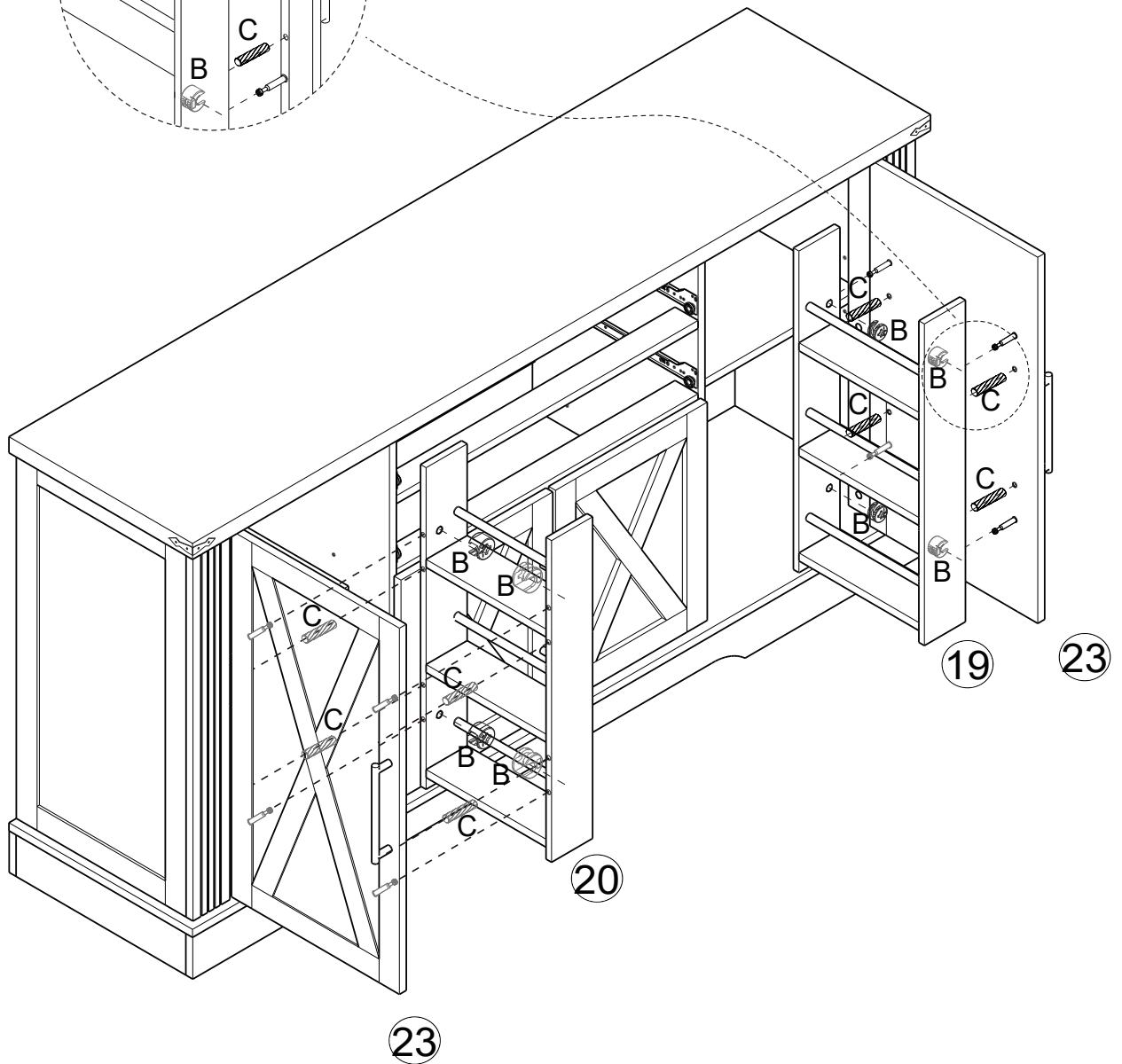
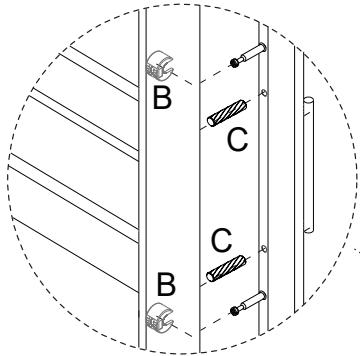
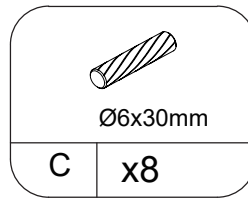
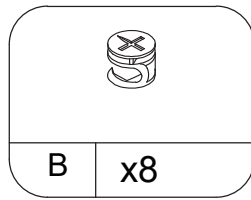
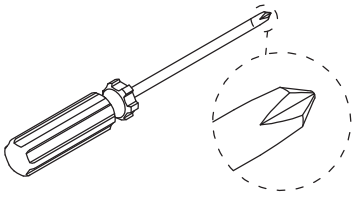
x2

STEP 29

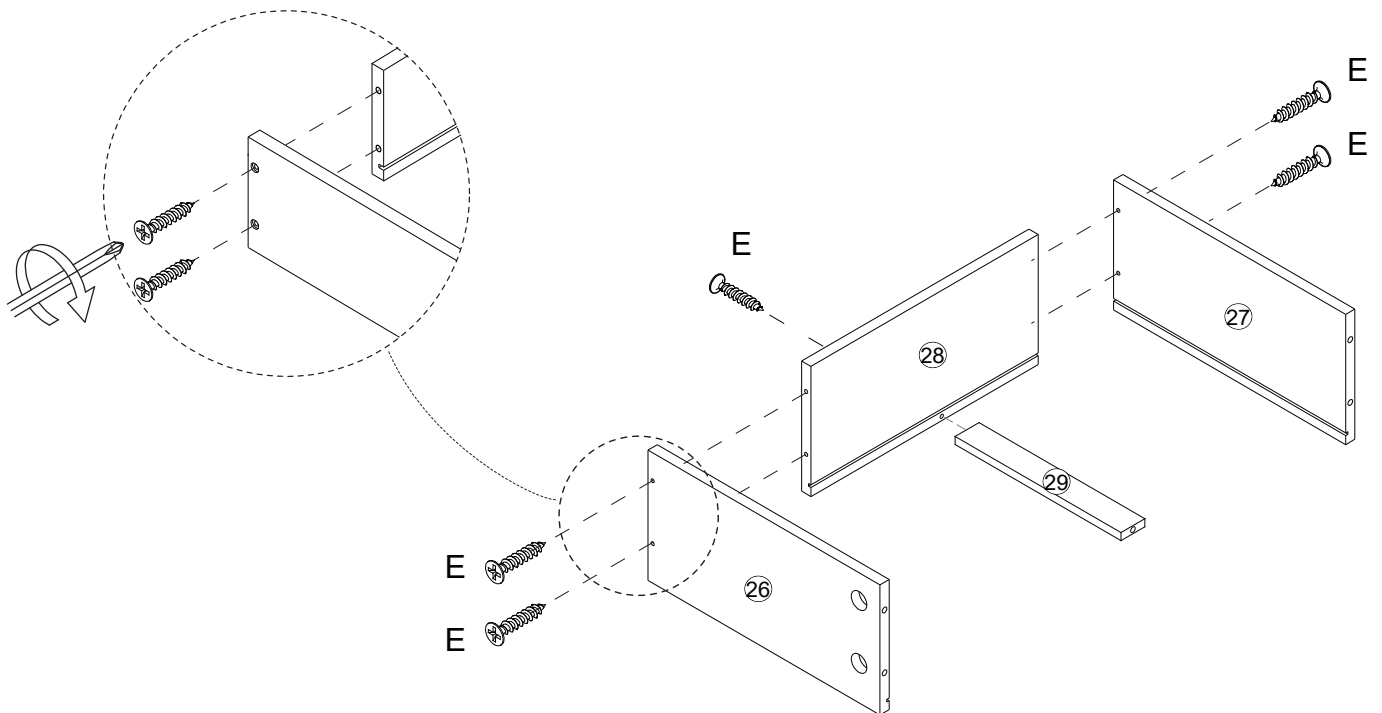
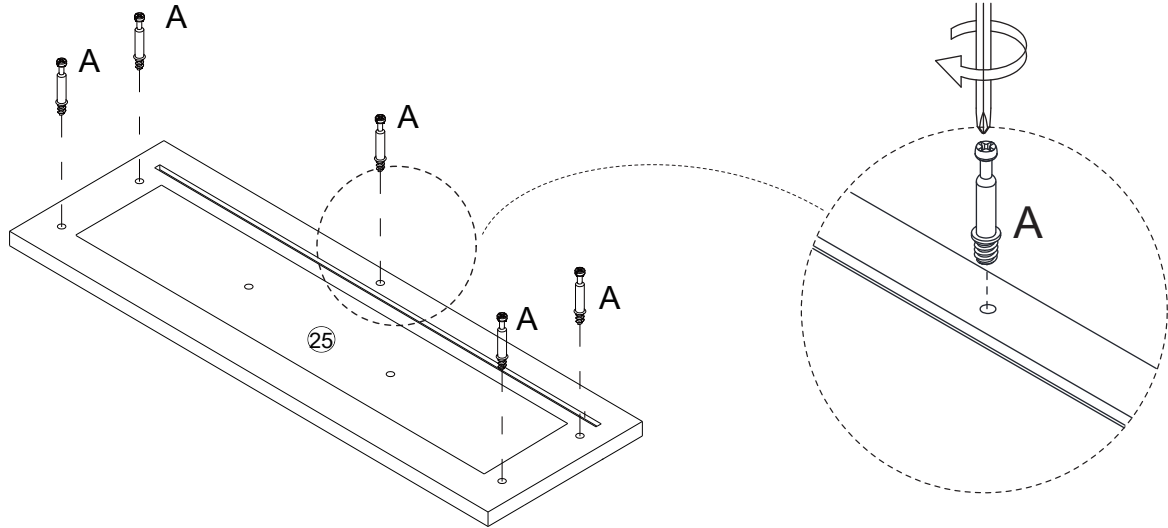
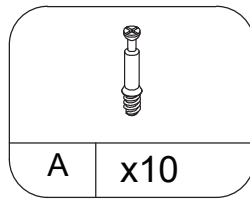
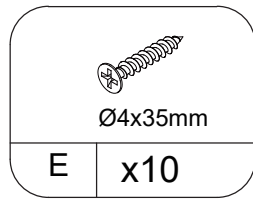
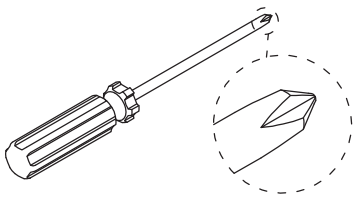


x2

STEP 30

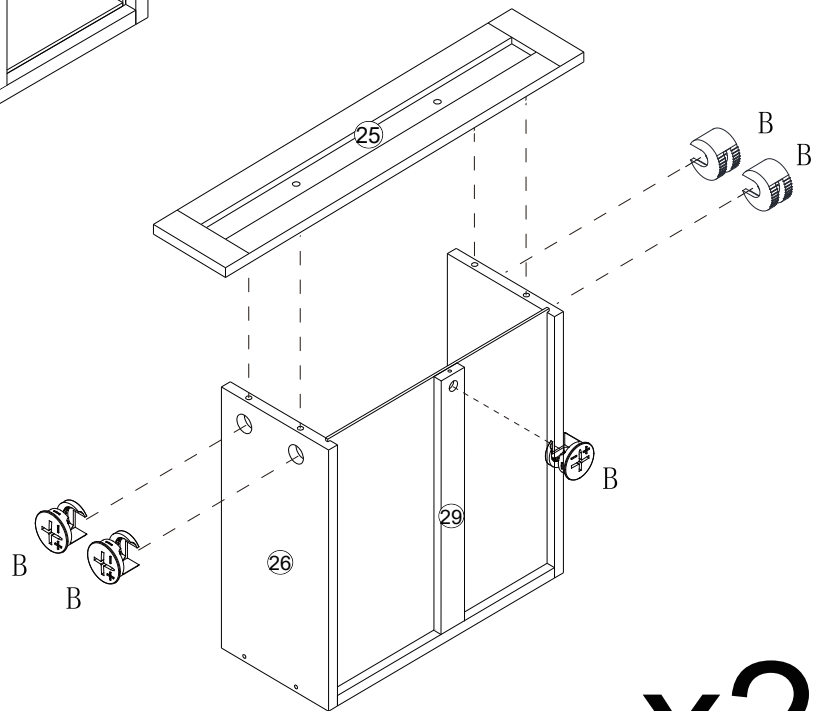
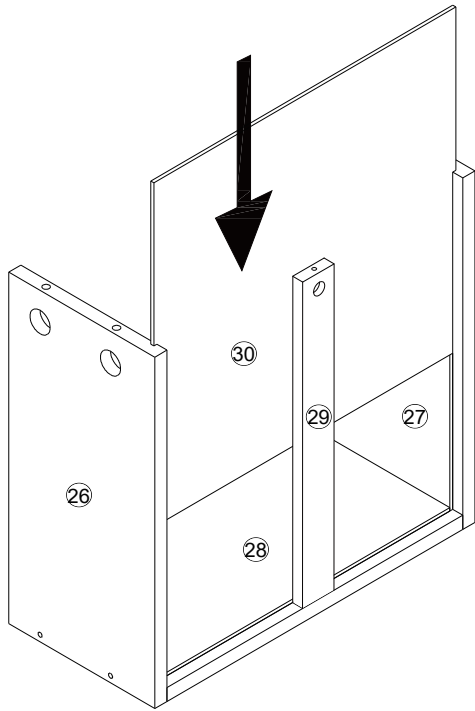
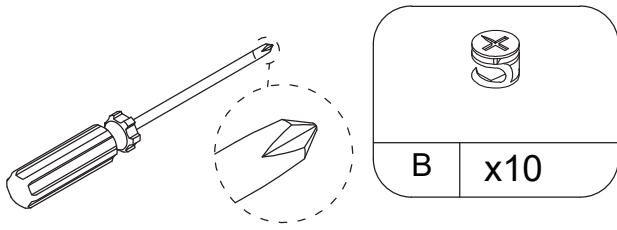


STEP 31



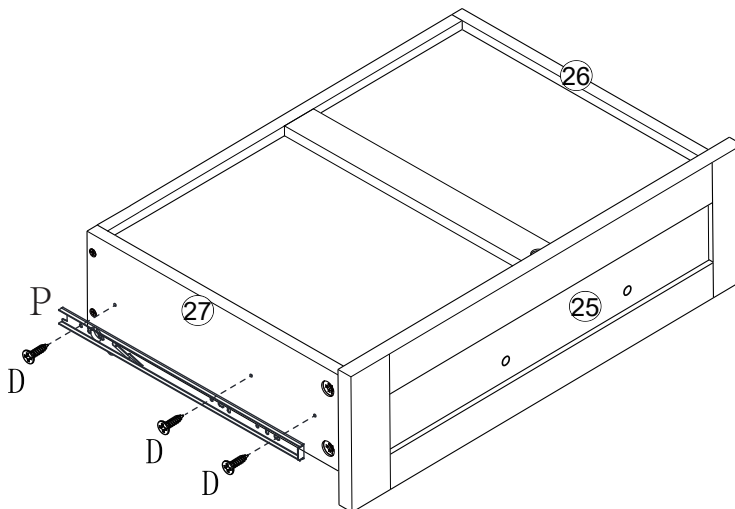
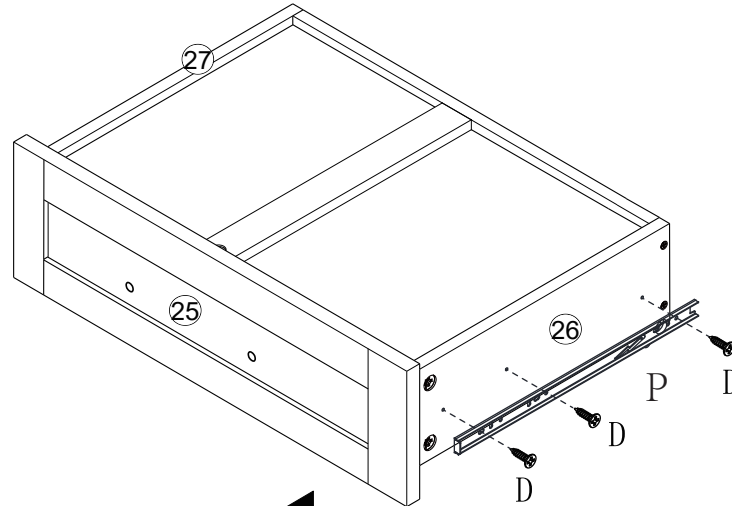
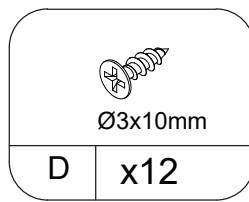
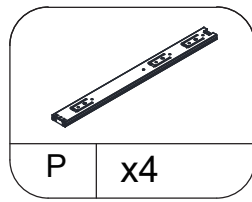
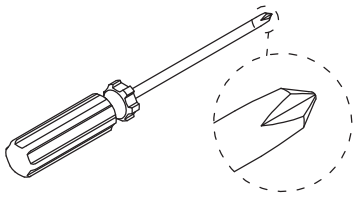
x2

STEP 32



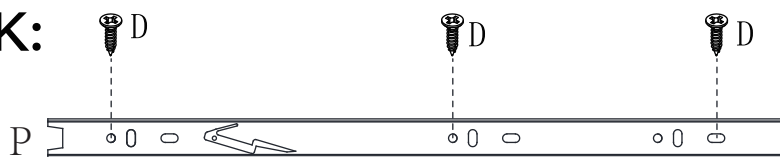
x2

STEP 33

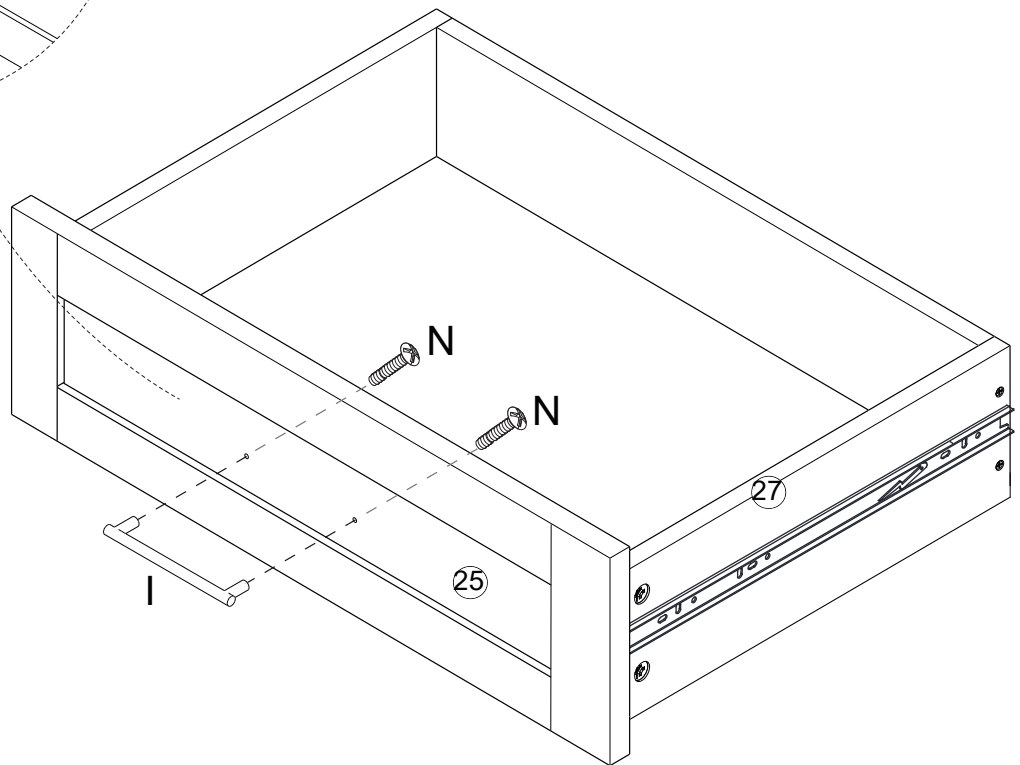
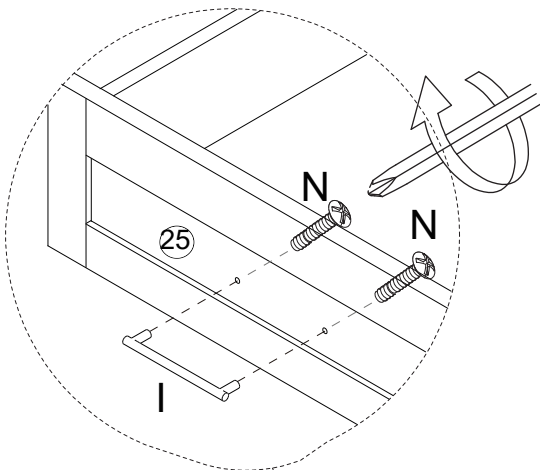
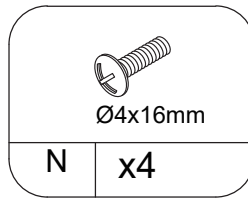
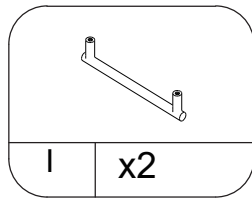
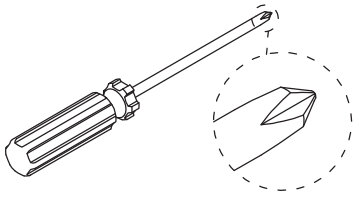


x2

REMARK:

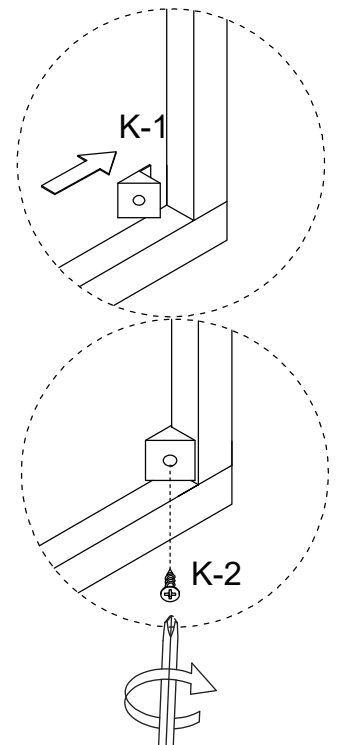
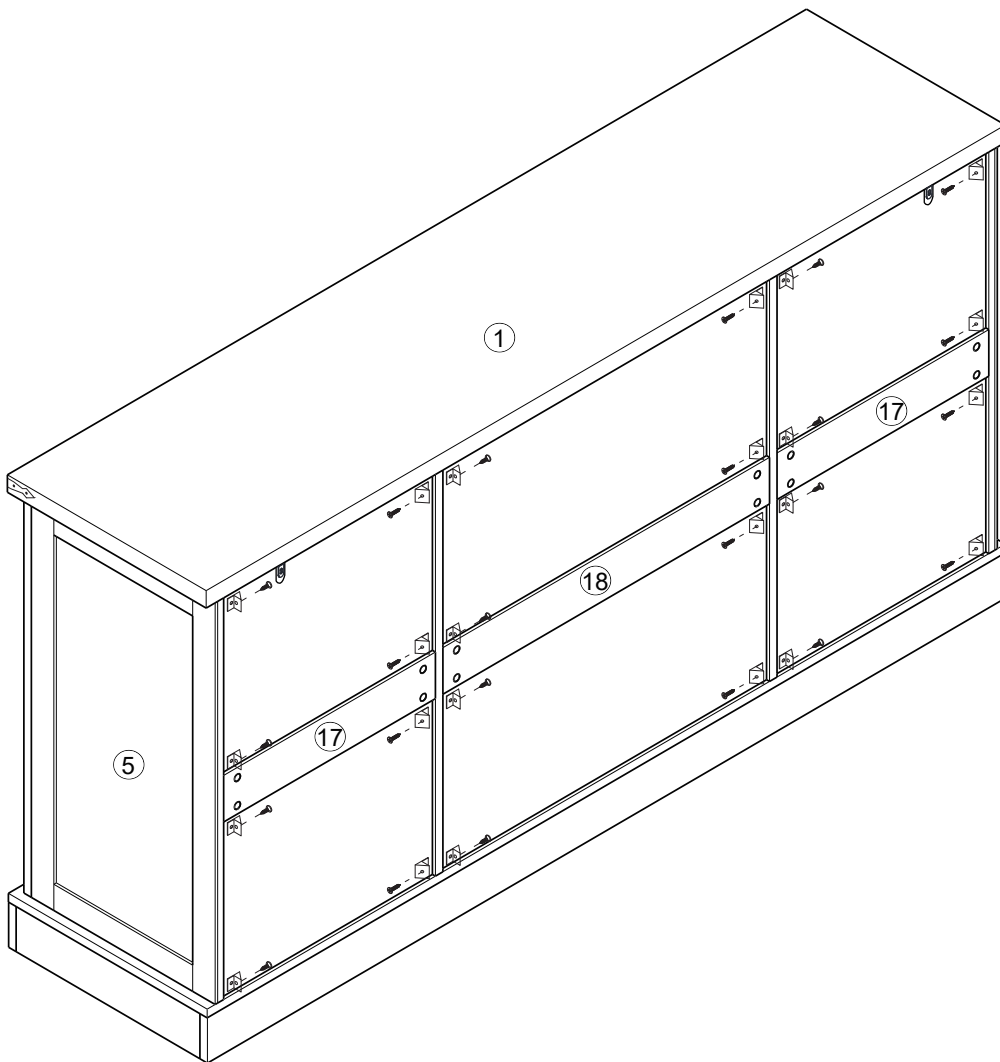
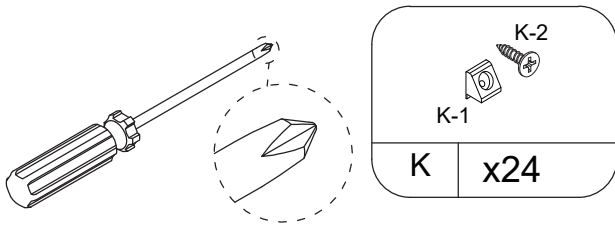


STEP 34

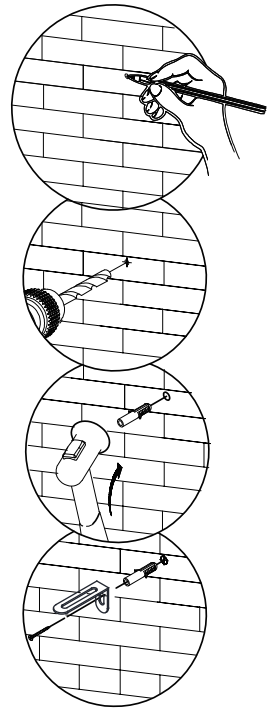
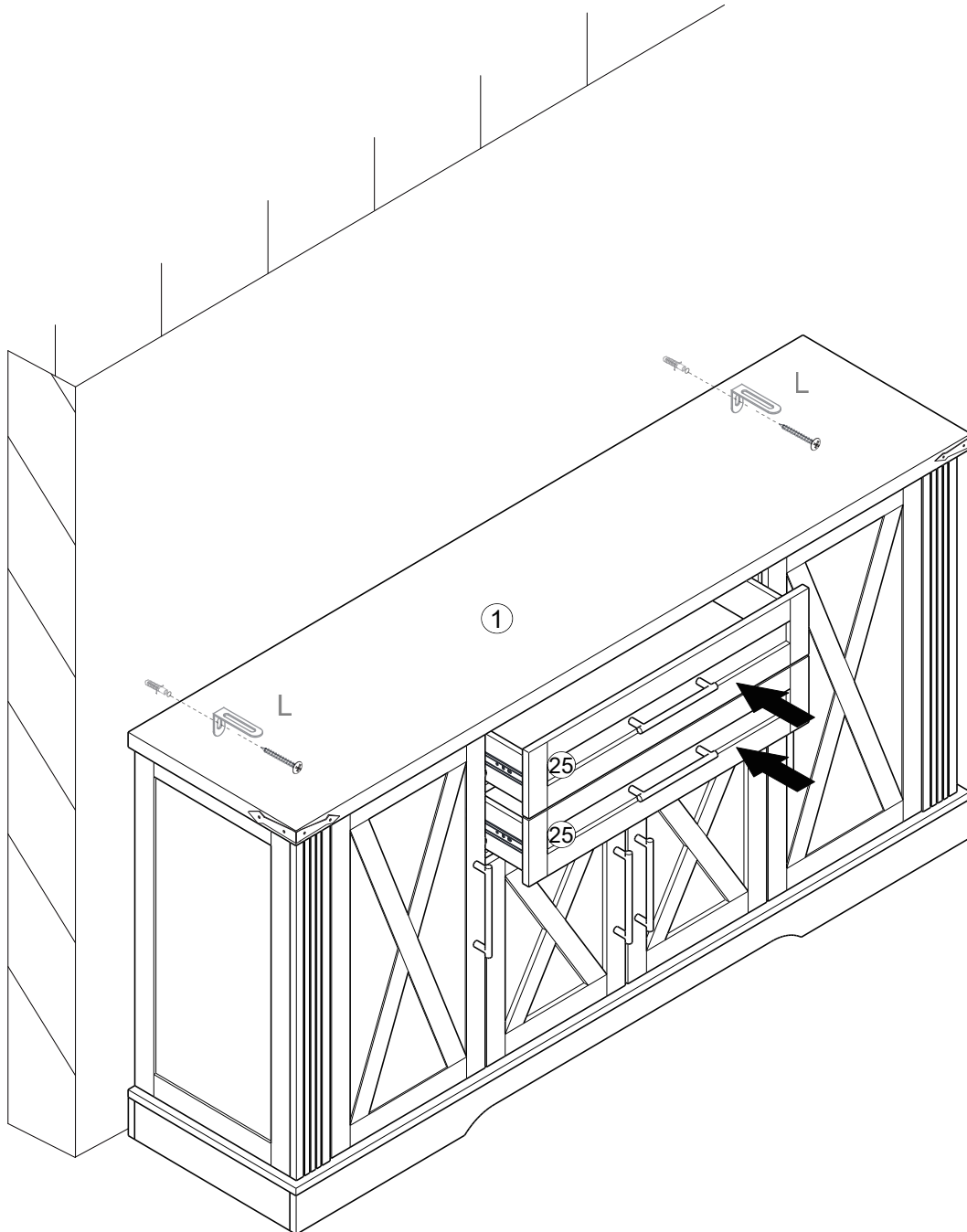
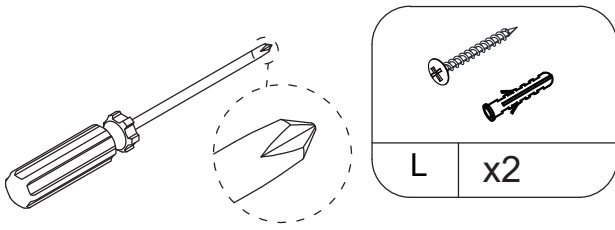


x2

STEP 35



STEP 36



STEP 37

