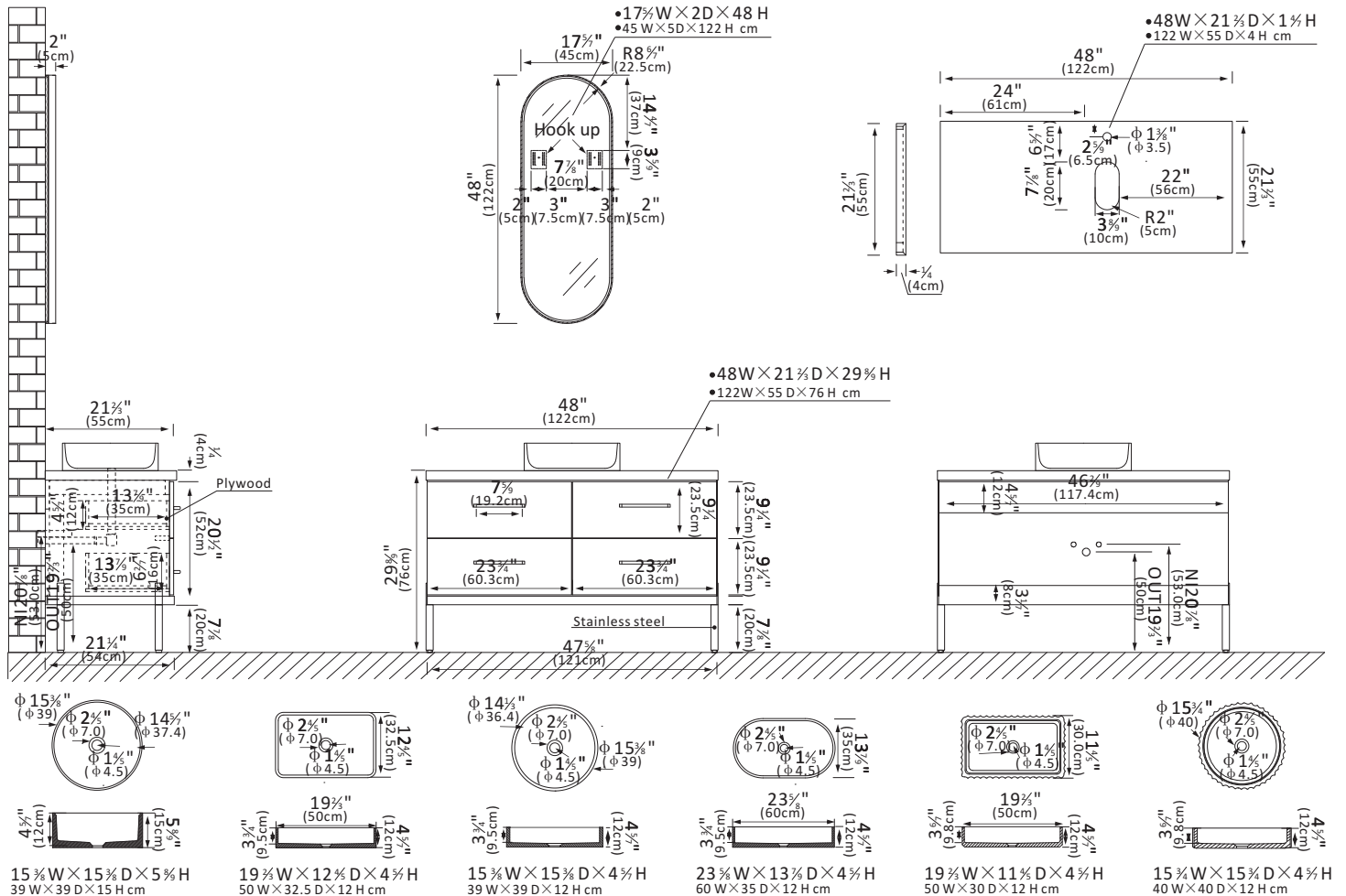


# Vanity Collection



## Features

- Features multi-layer technology and moisture-proof board construction to ensure supreme sturdiness.
  - Available in beautiful North American Oak finish to complement any décor.
  - 4 soft-closing drawers feature a full-extension glide to maximize your storage space.
  - 1.6"-thick, integrated sintered stone in Black offers a clean, elegant look and resists scratches, stains, and cracks.
  - 45-degree chamfered water retaining edges lend a unique aesthetic while helping to prevent drips.
  - Customize the look of your vanity by choosing the unique concrete sink style you prefer (6 matching basins to choose from):
    - (C): Circular Concrete sink
    - (O): Oval Concrete sink
    - (R): Circular Concrete sink
    - (S): Rectangular Concrete sink
    - (A): Rectangular Concrete sink
    - (B): Circular Concrete sink
  - Matte Black-finish hardware lends a touch of modern style and bold contrast.
  - Single, oval aluminum frame mirror complements the vanity and ties it all together. (Mirror Option)
  - Countertop has a pre-drilled, standard 1-3/8" faucet hole for easy plumbing and faucet installation.
  - Freestanding bathroom vanity (without back panel) comes partially assembled for your convenience; Matte Black support feet must be installed.
  - 1-Year Manufacturer Warranty—purchase with 100% peace of mind.
- \* Does not include faucet, overflow, drain assembly, P-trap and backsplash.

\* *Good to Remind: The natural tone and colors of the cabinet and countertop may appear slightly different under various lighting conditions.*