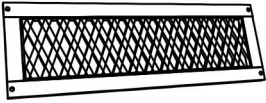





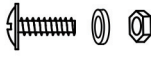


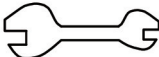
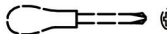

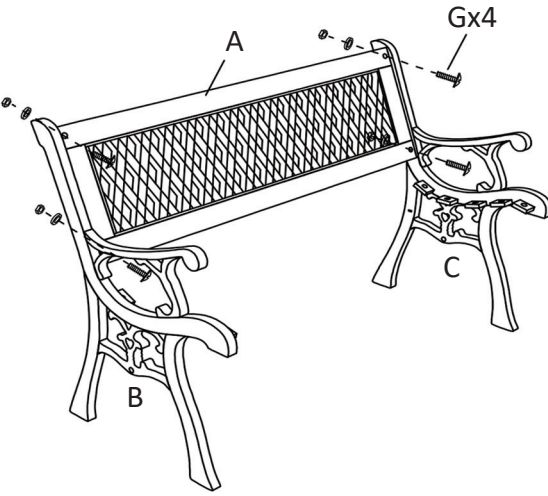
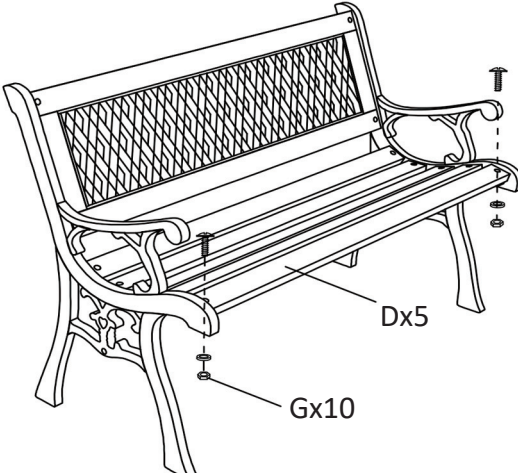
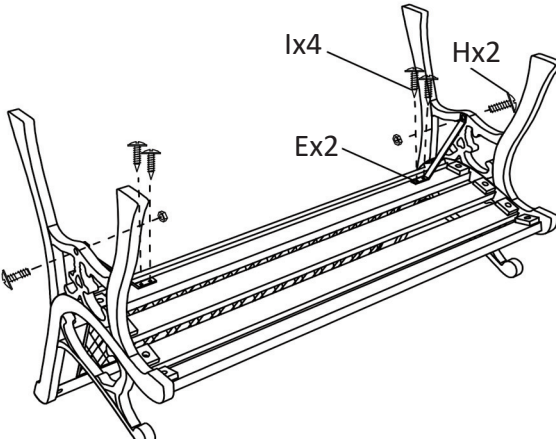


<p>Ax1</p> 	<p>Bx1</p> 	<p>Cx1</p> 	<p>Dx5</p> 
<p>Ex2</p> 	<p>Fx2</p> 	<p>Gx14</p>  <p>M6x $\frac{32}{1.3}$</p>	<p>Hx2</p>  <p>M6x $\frac{20}{0.8}$</p>
<p>Ix16</p>  <p>M4x $\frac{20}{0.8}$</p>			 <p>mm inch x2</p>
<p>1</p> 	<p>2</p> 		
<p>3</p> 	<p>4</p> 