

## NOTICE

\*Please make sure that you have all part indicated and they are in good condition before you begin assembly of this item. Refer to part list and hardware list below for guidance.

\*This item should be assembled on a soft surface to prevent scratching the finish during assembly.

\*This item may require periodic tightening.

\*If you are having difficulty, our friendly Customer Care team is always here to help. Please email [customersupport@safavieh.com](mailto:customersupport@safavieh.com)

## PREPARATION

\*Before beginning assembly of product, make sure all part are present. Compare part with part contents list and hardware contents list.

\*If any part is missing or damaged, do not attempt to assemble the product.

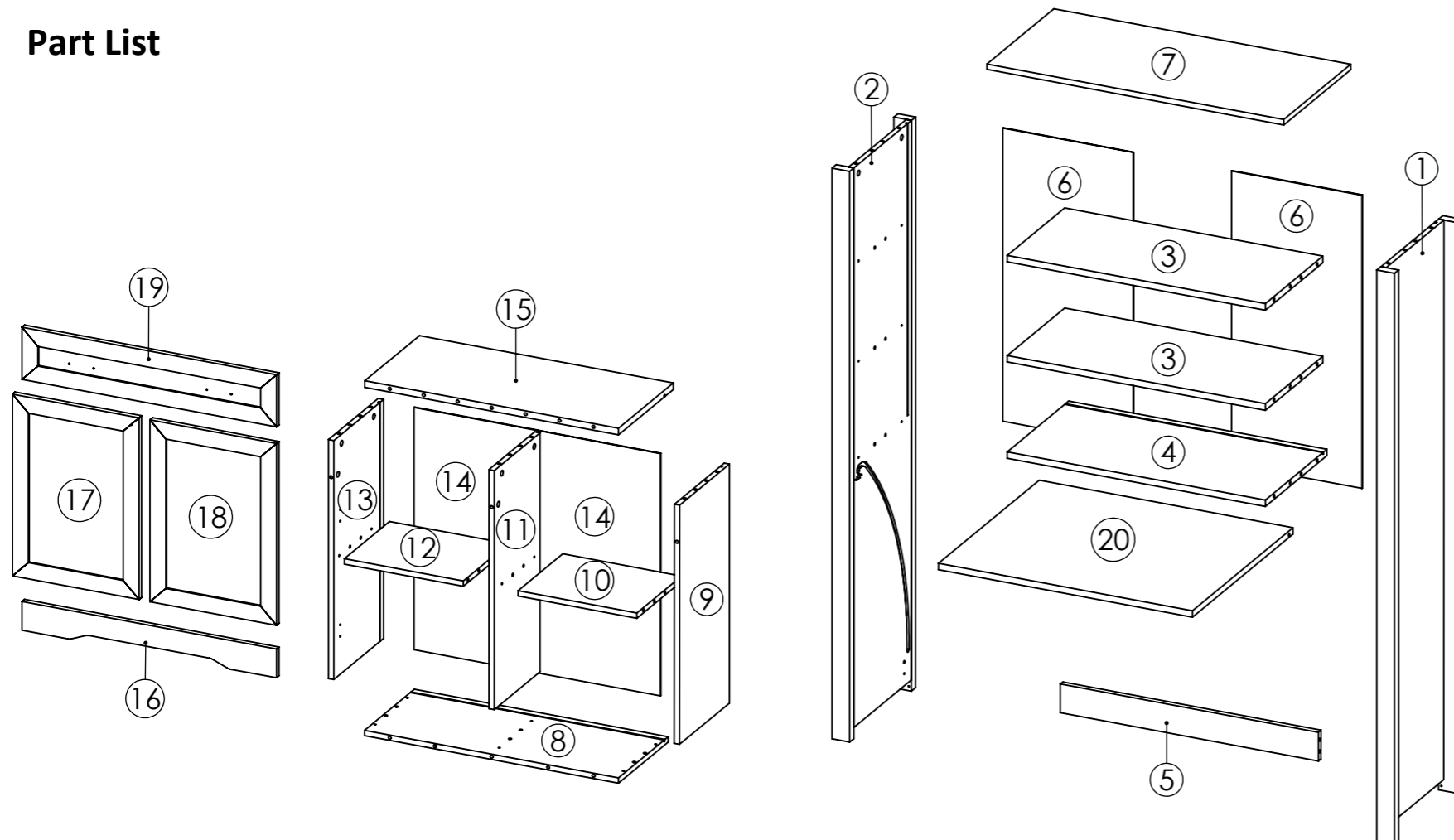
\*Estimated Assembly Time: 60 minutes.

\*Tools Required for Assembly (Not included): Screwdriver

## CARE AND MAINTENANCE

Always use felt pads under all articles to prevent discoloration or softening of the lacquer. Plastic and rubber bases on items can discolor wood. Wipe up spills immediately and avoid common hazards such as hot dishes, harsh solvents and abrasives. Cleaning should be done with a soft lint free cotton cloth dampened with water or furniture polish. On highly used surfaces we recommend applying a quality paste wax which should be used on a regular basis to provide additional protection from scratches and spills. How often you apply the wax depends on how much wear the furniture receives.

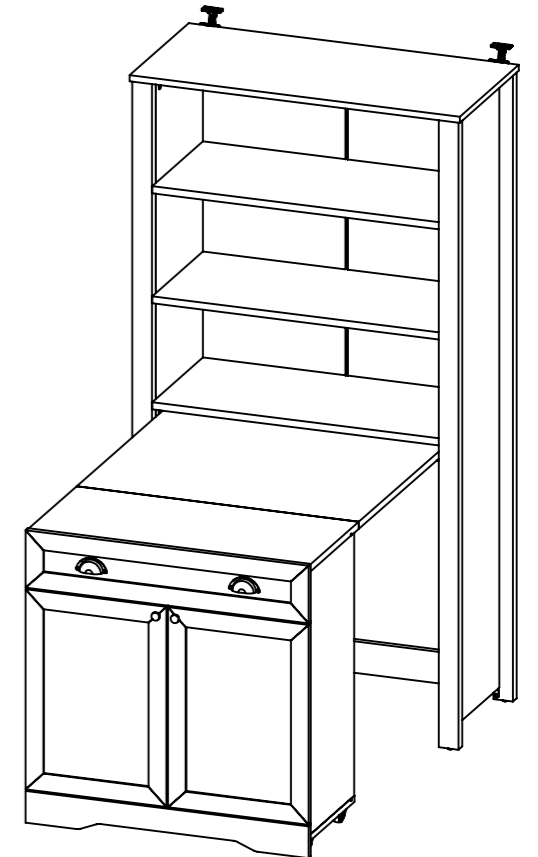
## Part List



 **SAFAVIEH**  
FURNITURE

**Model# ETG3100**

**Product Dimensions: W 33,07" x D 15,67" x H 63,19"**



### **WARNING**

#### **WEIGHT CAPACITY**

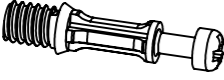
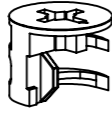

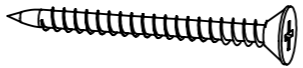




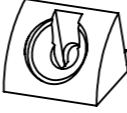





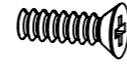
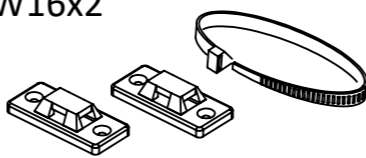
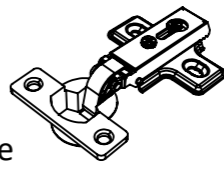


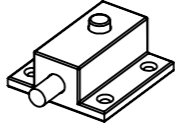
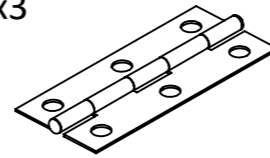
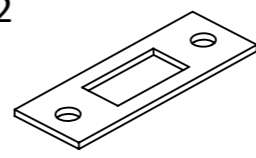


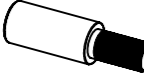
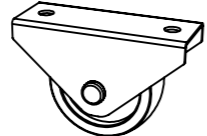


Open Shelf load Limit: 9 lbs of each shelf

Top Table load Limit: 67 lbs

Shelf load Limit: 9 lbs

 <b>WARNING</b>	
	<p>Children have died from furniture tipover. To reduce the risk of furniture tipover:</p> <ul style="list-style-type: none"><li>-ALWAYS install Anti-tip device provided.</li><li>-NEVER put a TV on this product.</li><li>-NEVER allow children to stand, climb or hang on drawers, doors, or shelves.</li><li>-NEVER open more than one drawer at a time.</li><li>-Place heaviest items in the lowest drawers.</li></ul> <p><i>This is a permanent label. Do not remove!</i></p>
	

## Hardware List

HW1x42  Ø6x32 mm	HW2x42  Ø15x12 mm	HW3x43  Ø8x32 mm	HW4x6  Ø6x50 mm	HW5x4  Ø6x15 mm	HW6x12  Ø6x12 mm
HW7x20  Ø4x19 mm	HW8x2  Ø4x22 mm	HW9x20  Ø8x32 mm	HW10x33  Ø20 mm OAK	HW11x4  Washer Ø4 mm	HW12x2  Ø9x11,5 mm
HW13x2 	HW14x2 	HW15x42  ØM5x12 mm	HW16x2 	HW17x4  Straight Hinge	HW18x1  List "H" 804 mm
HW19x1  List "H" 663 mm	HW20x2 	HW21x3 	HW22x2 	HW23x4  Ø3x12 mm	HW24x4  ØM3x2 mm
HW25x2  Ø8x28 mm	HW26x4 	HW27x4  Ø8x35 mm	HW28x4  Ø10x50 mm		

## Part List & HW

Piece	Description	Qty	Carton Call
1	Right Side Panel	1	1 of 2
2	Left Side Panel	1	1 of 2
3	Top Fixed Shelf	2	1 of 2
4	Center Fixed Shelf	1	1 of 2
5	Lower back plint	1	2 of 2
6	Back Panel	2	1 of 2
7	Top Panel	1	2 of 2
8	Box Bottom Panel	1	2 of 2
9	Box Right Side Panel	1	1 of 2
10	Box Right Fixed shelf	1	2 of 2
11	Box Center Panel	1	1 of 2
12	Box Left Fixed shelf	1	2 of 2
13	Box Left Side Panel	1	2 of 2
14	Box Back Panel	2	2 of 2
15	Box Top Panel	1	2 of 2
16	Box Front Plint	1	2 of 2
17	Left Door	1	2 of 2
18	Right Door	1	2 of 2
19	Dummy	1	2 of 2
20	Top Swing	1	2 of 2

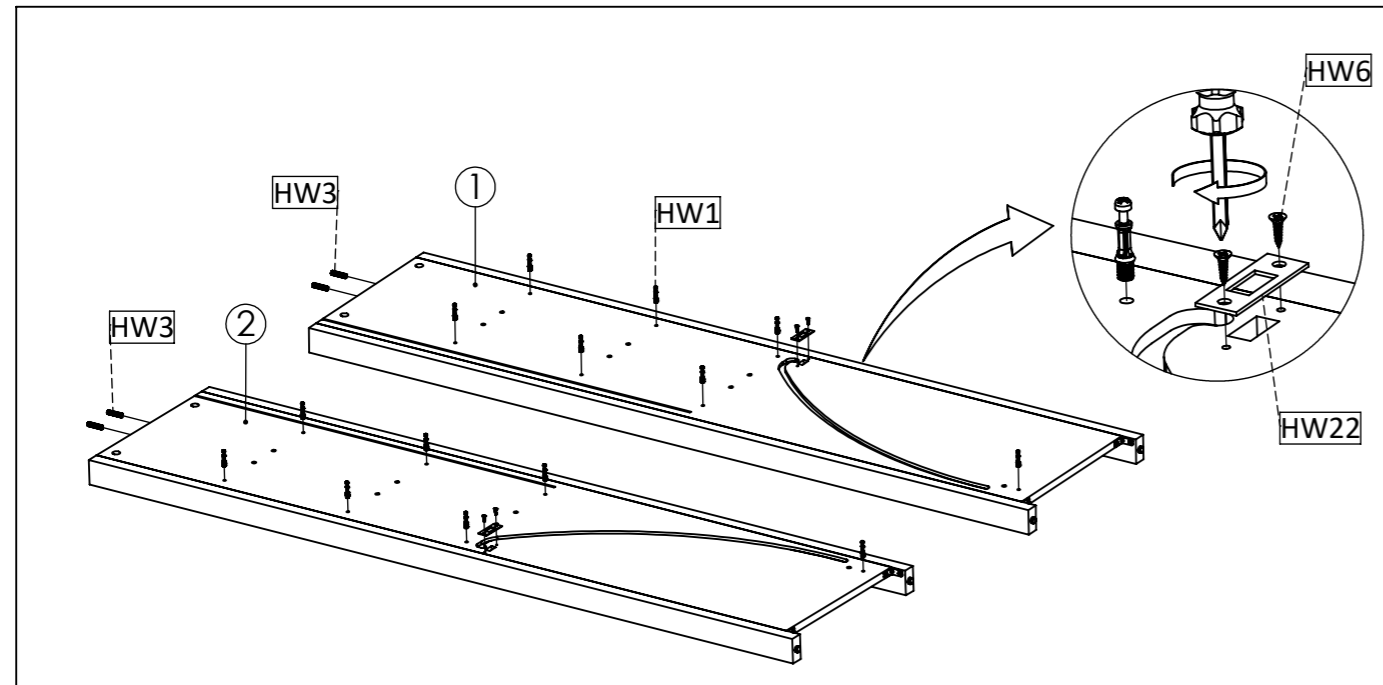
Piece	Description	Qty	Carton Call
HW1	Cambolt	42	1 of 2
HW2	Camlock	42	1 of 2
HW3	Wooden Dowel	43	1 of 2
HW4	Screw M6 x 50 mm	6	1 of 2
HW5	Screw M6 x 15 mm	4	1 of 2
HW6	Screw M6 x 12 mm	12	1 of 2
HW7	Screw M4 x 19 mm	20	1 of 2
HW8	Bolt JP 4 x 22 mm	2	1 of 2
HW9	Plastic Stopper	20	1 of 2
HW10	Cover Cap Sticker	33	1 of 2
HW11	Washer Ø4 mm	4	1 of 2
HW12	Cross Dowel 4x11.5 mm	2	1 of 2
HW13	Handle Knob	2	1 of 2
HW14	Handle Catam	2	1 of 2
HW15	Screw M5 x 12 mm	42	1 of 2
HW16	Anti-Tip	2	1 of 2
HW17	Straight Hinge	4	1 of 2
HW18	List "H" 804 mm	1	1 of 2
HW19	List "H" 663 mm	1	1 of 2
HW20	Grender	2	1 of 2
HW21	Butterfly hinge 3"	3	1 of 2
HW22	Key stopper	2	1 of 2
HW23	Bolt JP M3 x 12 mm	4	1 of 2
HW24	Nut 3 mm	4	1 of 2
HW25	Swing wheel plate	2	1 of 2
HW26	Wheel	4	1 of 2
HW27	Plug M8 x 35 mm	4	1 of 2
HW28	Screw M10 x 50 mm	4	1 of 2

## PREPARATION

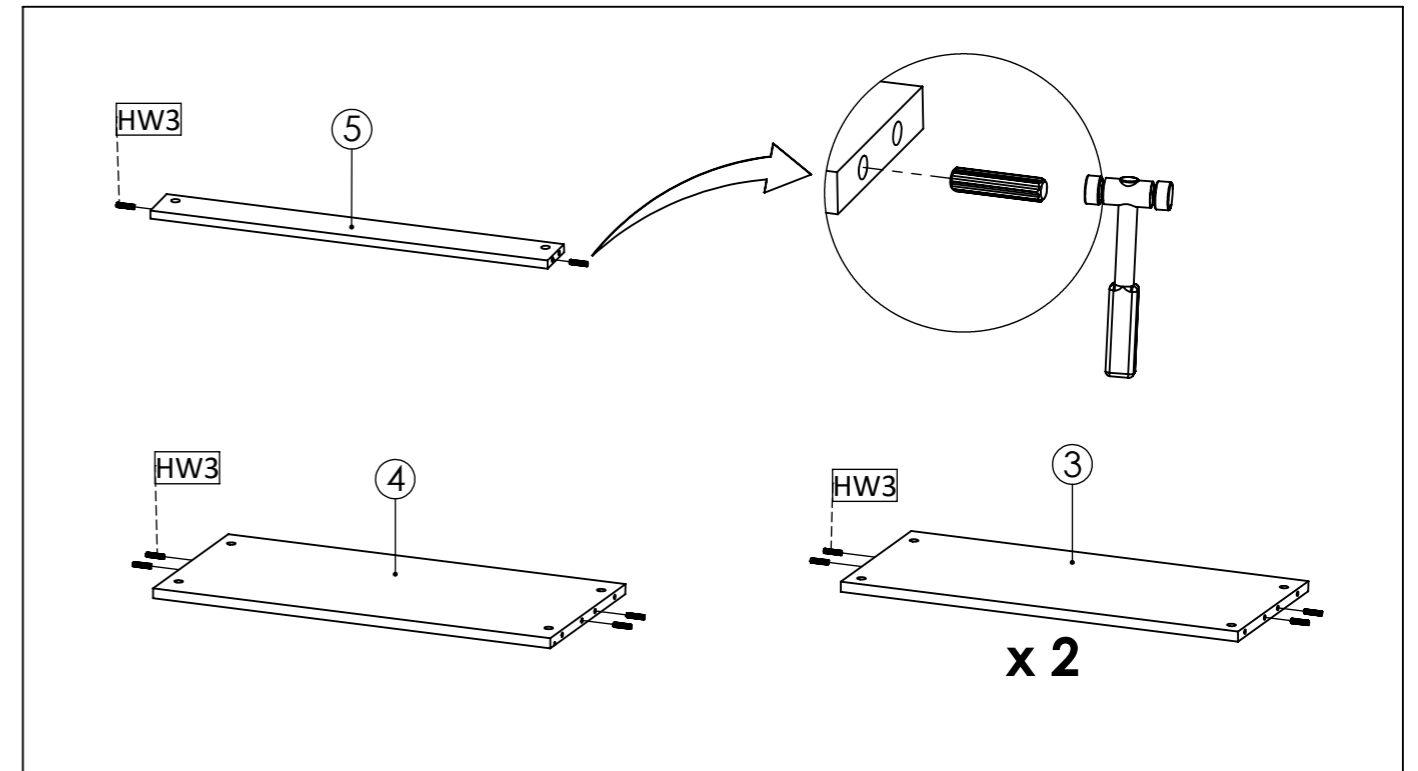
Before beginning assembly of product, make sure all part are present. Compare part with part contents list and hardware contents list.

If any part is missing or damaged, do not attempt to assemble the product.

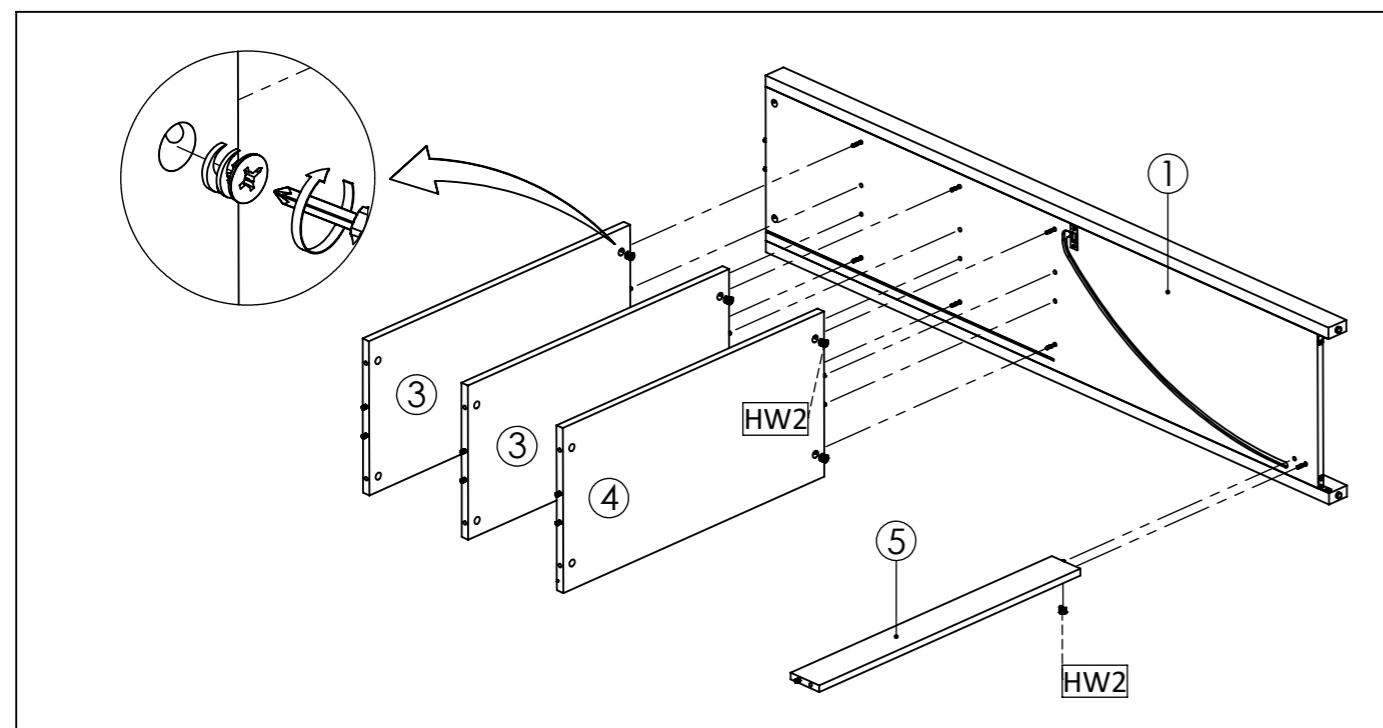
Estimated Assembly Time: 60 minutes.



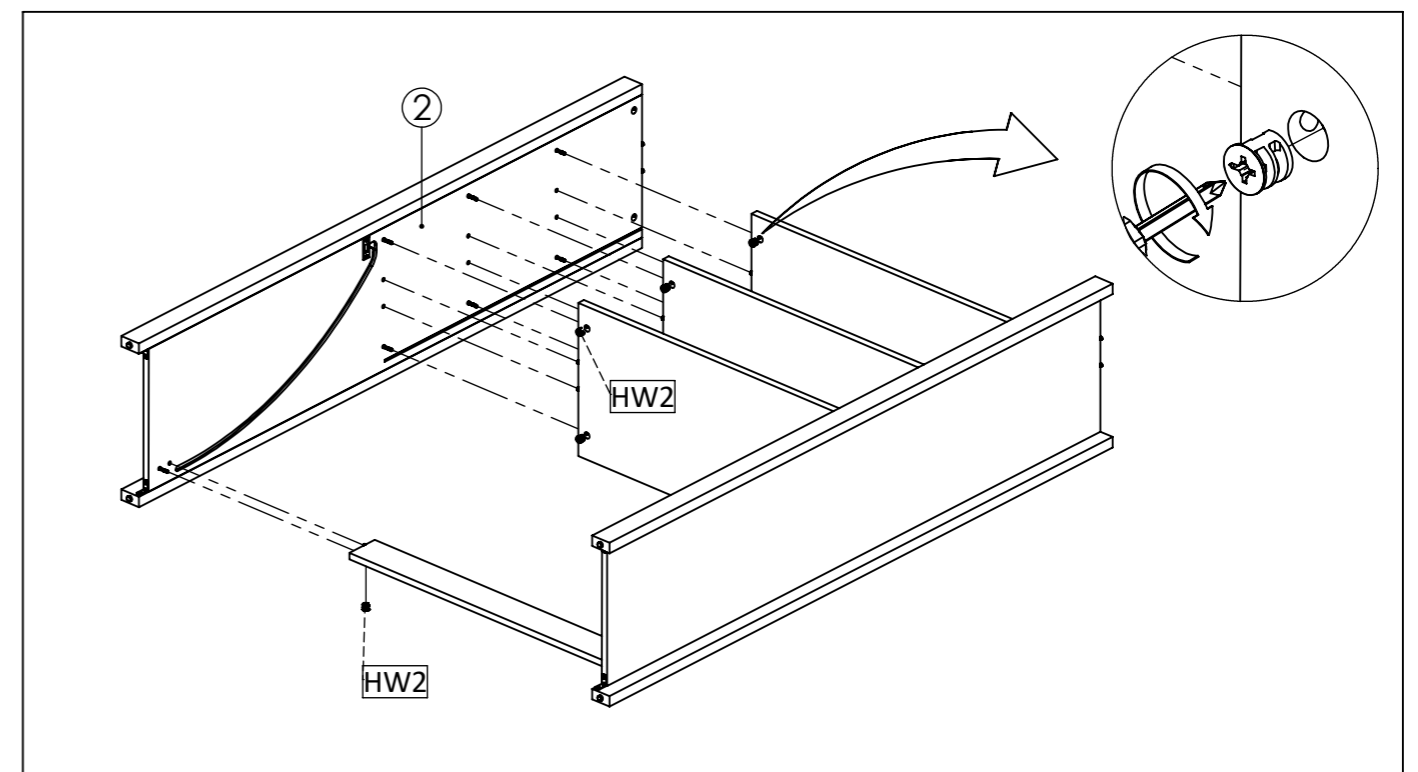
**STEP1:** Insert Cambolt (HW1) And Wooden Dowel (HW3) Into Right Side Panel (1) And Left Side Panel (2)  
Continue with securing part of the Key Stopper (HW2) into position as the above image, using screw M6x12mm (HW6)



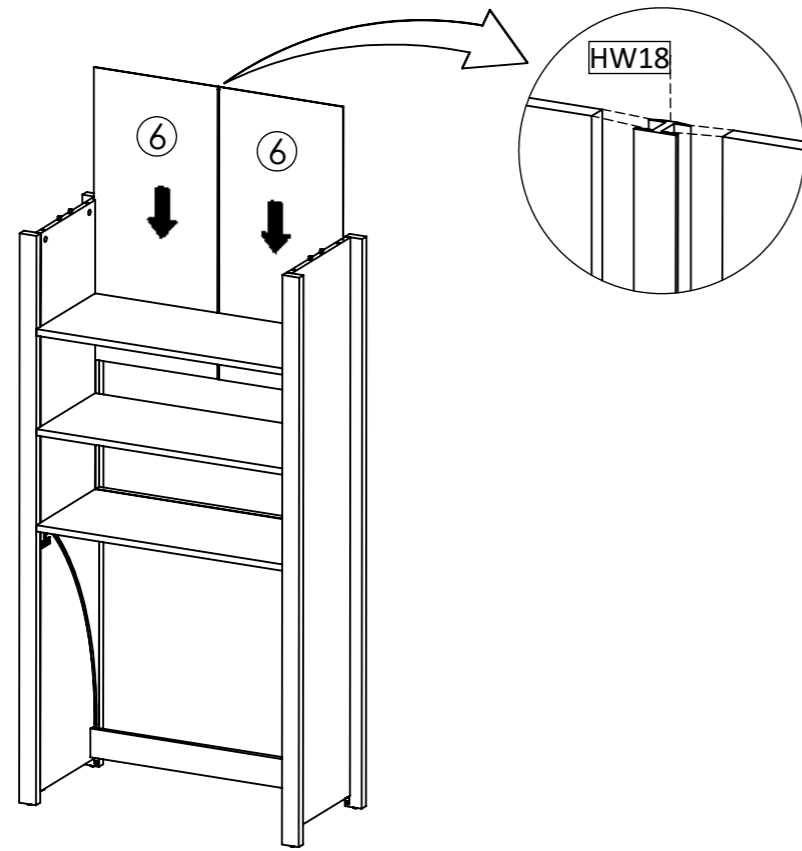
**STEP2:** Insert Wooden Dowel (HW3) into Top Fixed Shelf (3), Center Fixed Shelf (4) And Lower Back Plint (5).



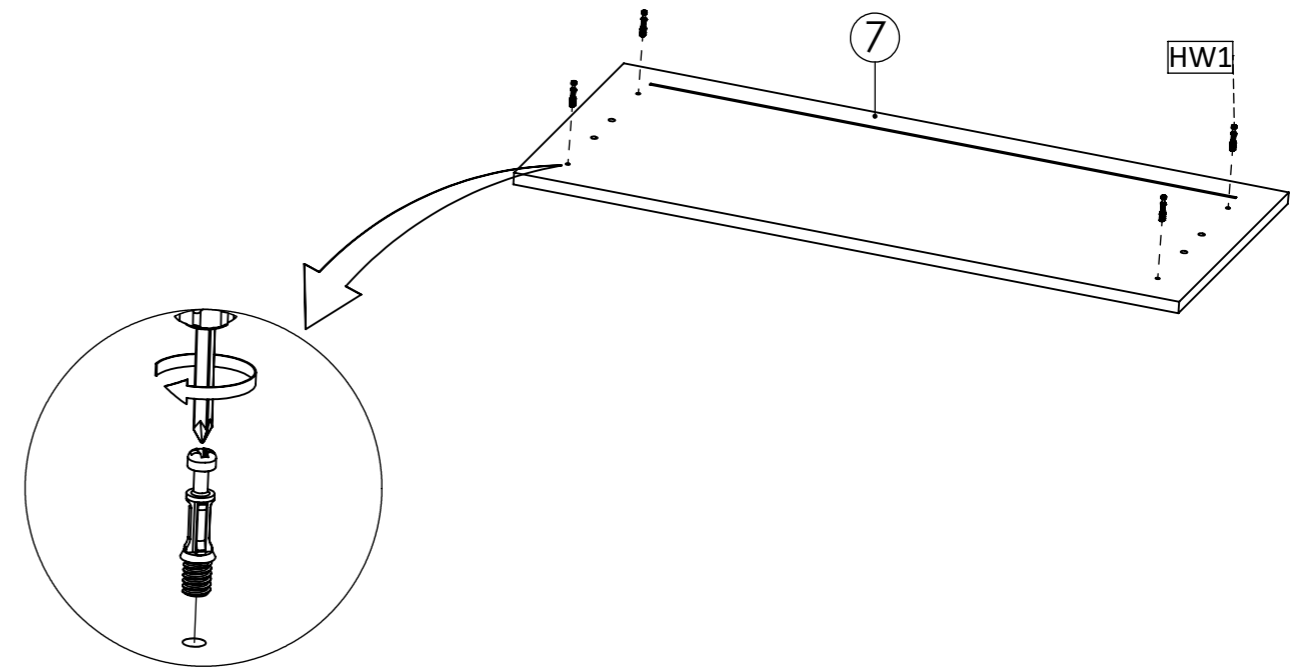
**STEP3:** Attach Top Fixed Shelf (3), Center Fixed Shelf (4) And Lower Back Plint (5) Into Right Side Panel (1).  
Secure with Camlock (HW2) And Tighten It Using Screwdriver.



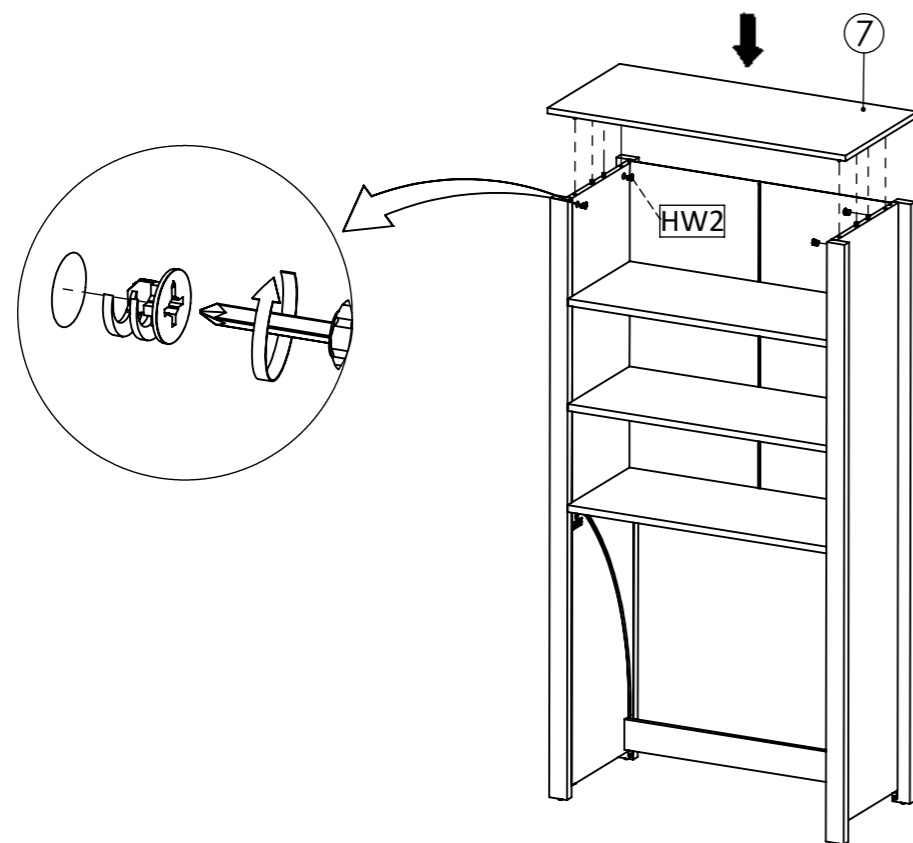
**STEP4:** Insert Right Side Panel (1).  
Secure with Camlock (HW2) And Tighten It Using Screwdriver.



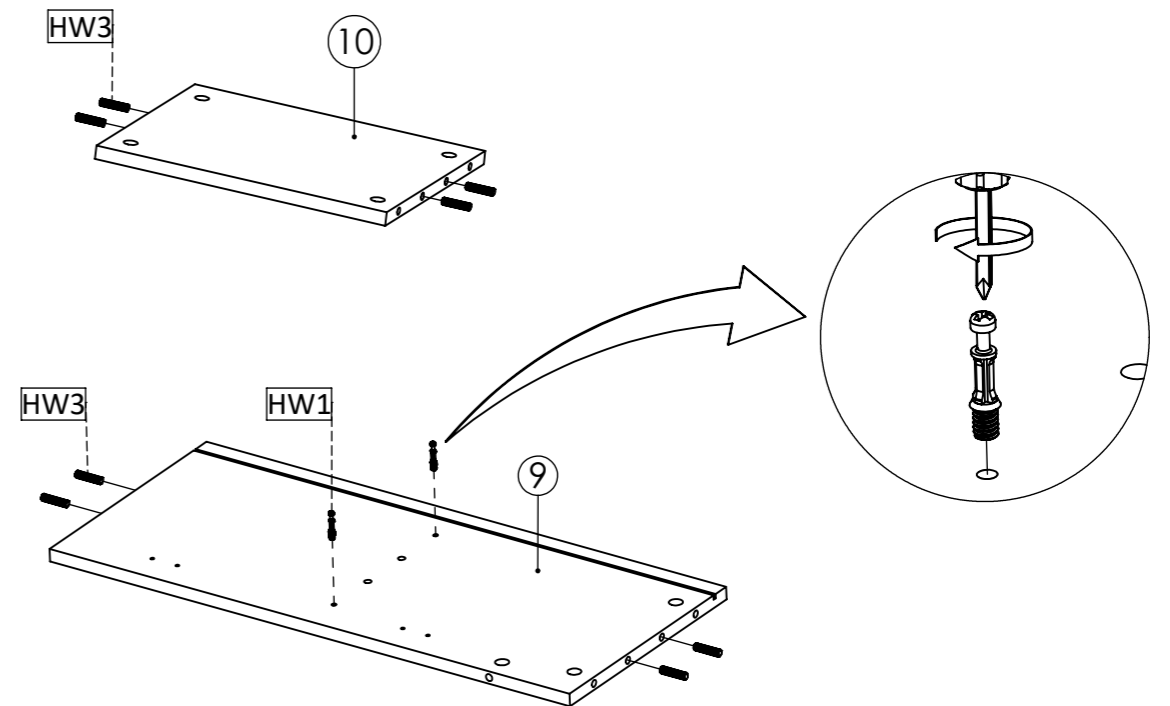
**STEP5:** Insert Back Panel x2 (6), And List "H" (HW18)



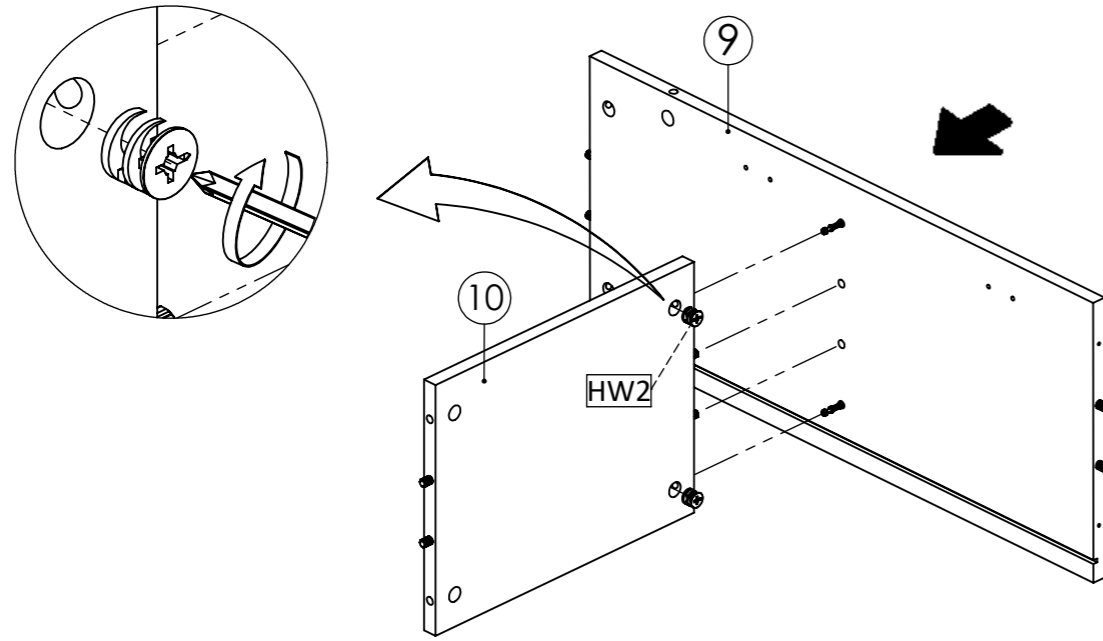
**STEP6:** Insert Cambolt (HW1) Into Top panel (7).



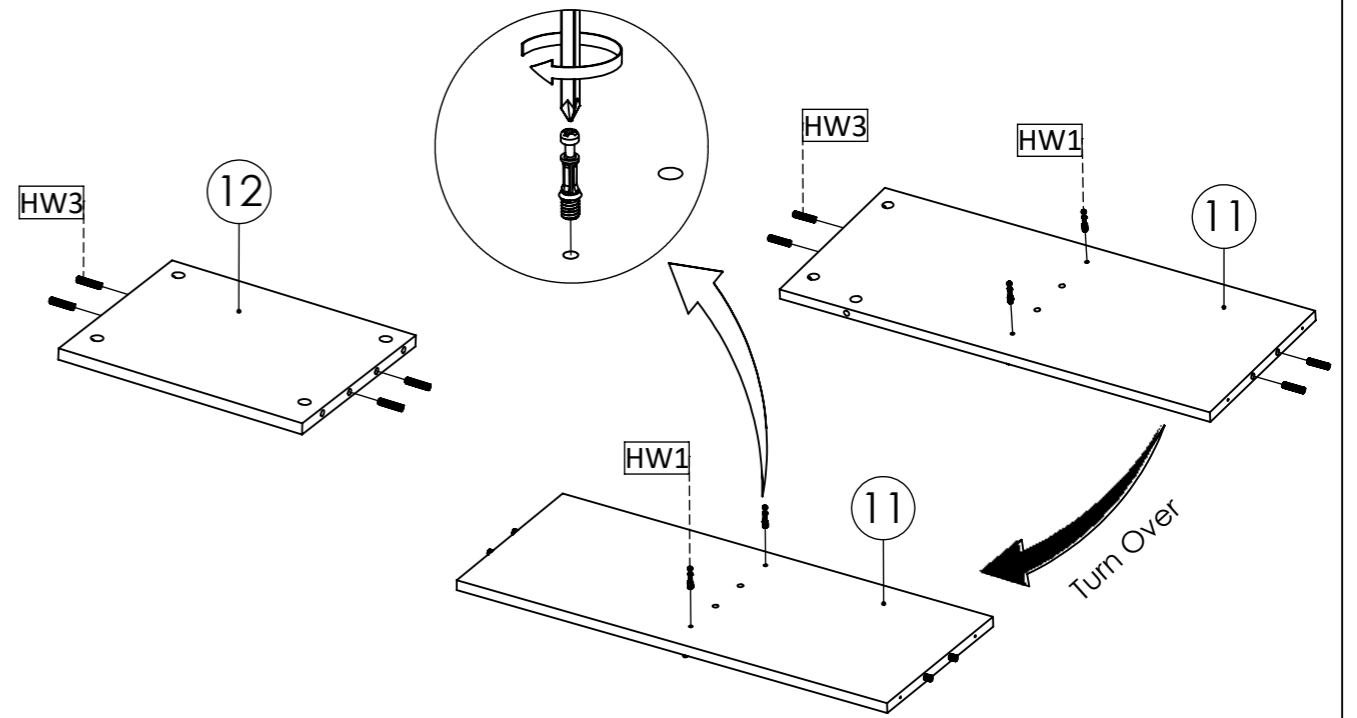
**STEP7:** Insert Top panel (7) Secure with Camlock (HW2), and tighten it using screwdriver.



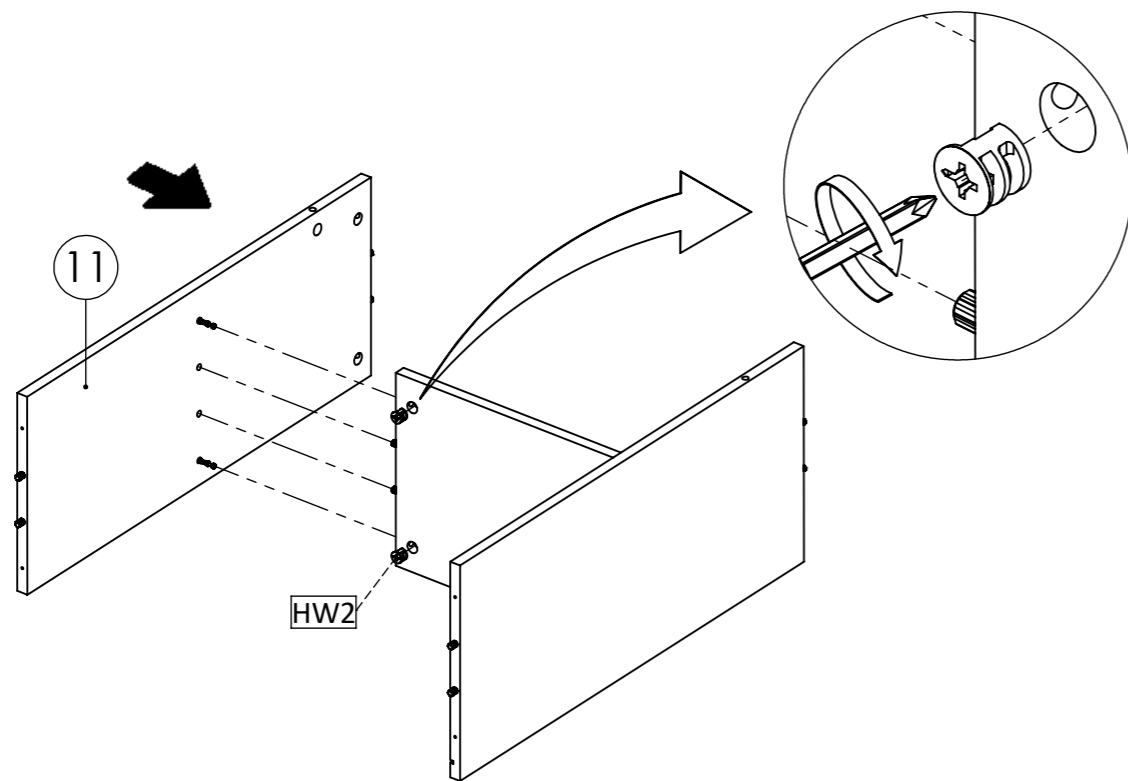
**STEP8:** Insert Cambolt (HW1) Into Box Right Side Panel (9). Insert Wooden Dowel (HW3) Into Box Right Side Panel (9) And Box Right Fixed Shelf (10)



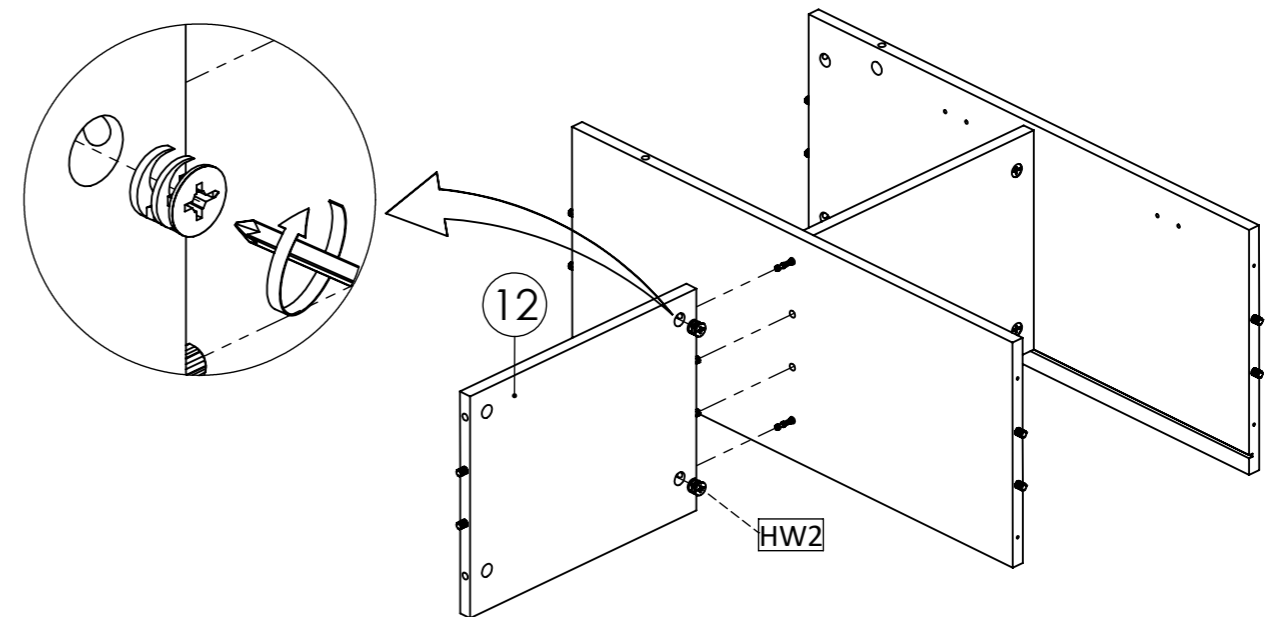
**STEP9:** Attach Box Right Fixed Shelf (10) Into Box Right Side Panel (9). Secure with Camlock (HW2) And Tighten It Using Screwdriver.



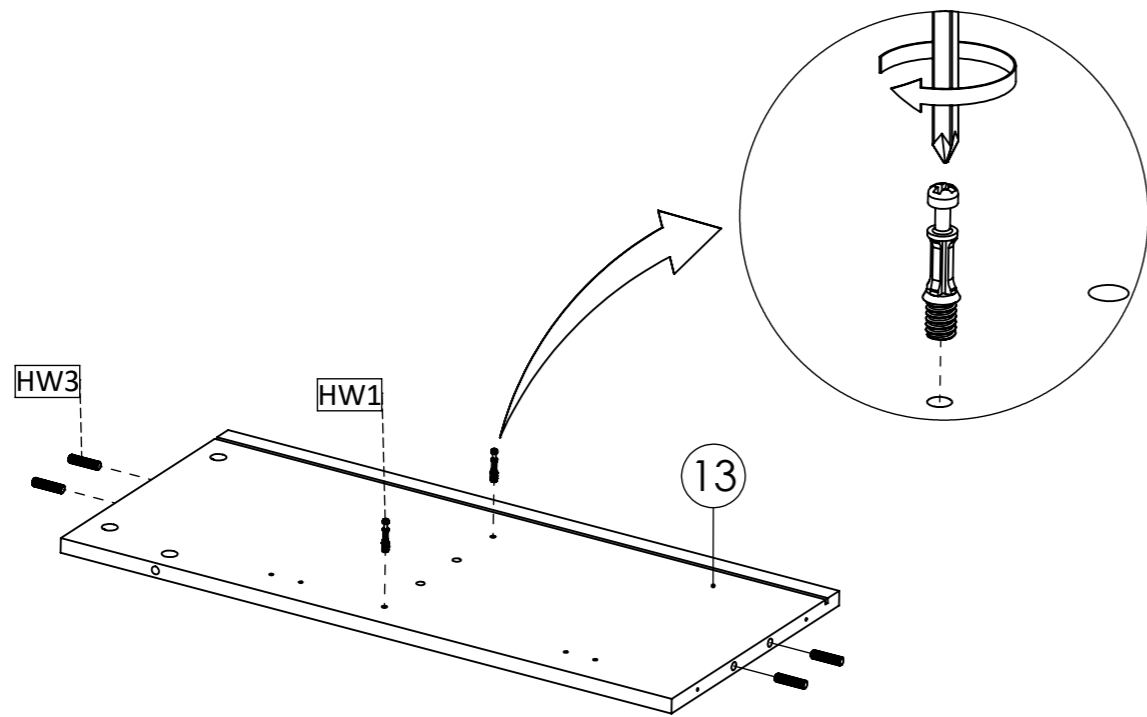
**STEP10:** Insert Cambolt (HW1) Into Box Center Panel (11). Insert Wooden Dowel (HW3) Into Box Center Panel (11) And Box Left Fixed Shelf (12)



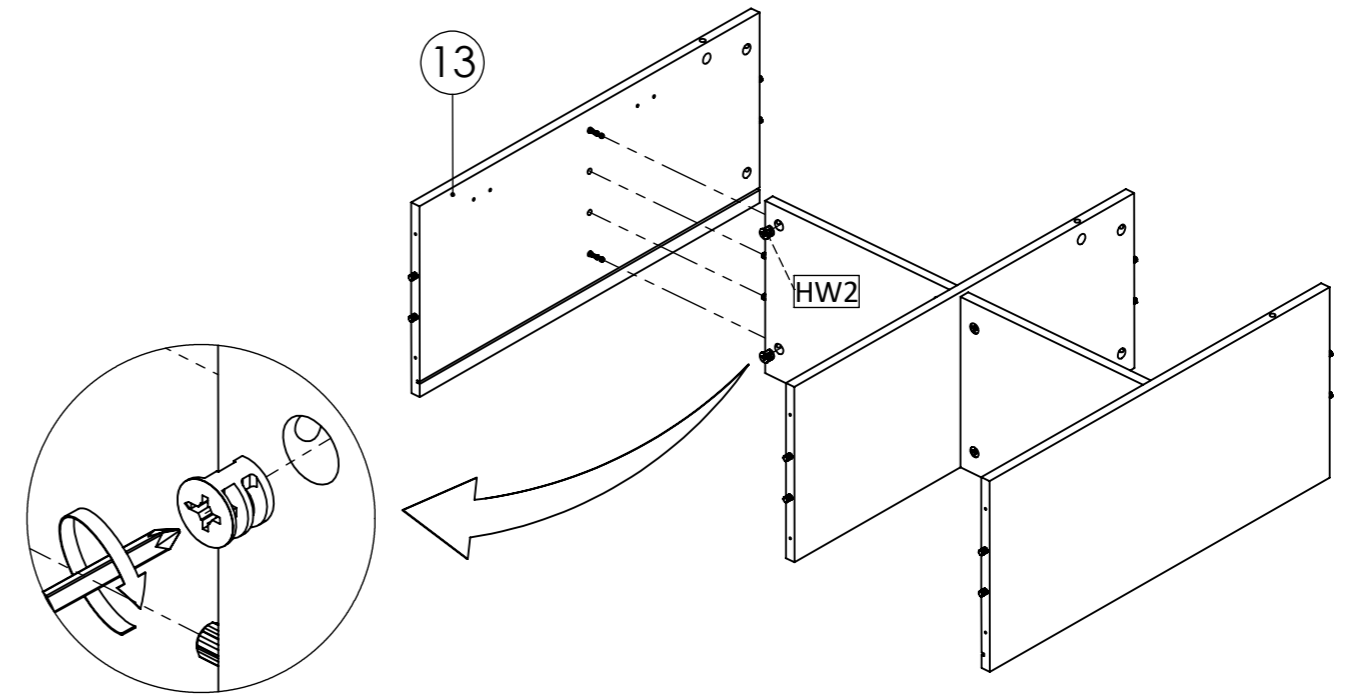
**STEP11:** Insert Box Center Panel (11). Secure with Camlock (HW2) And Tighten It Using Screwdriver.



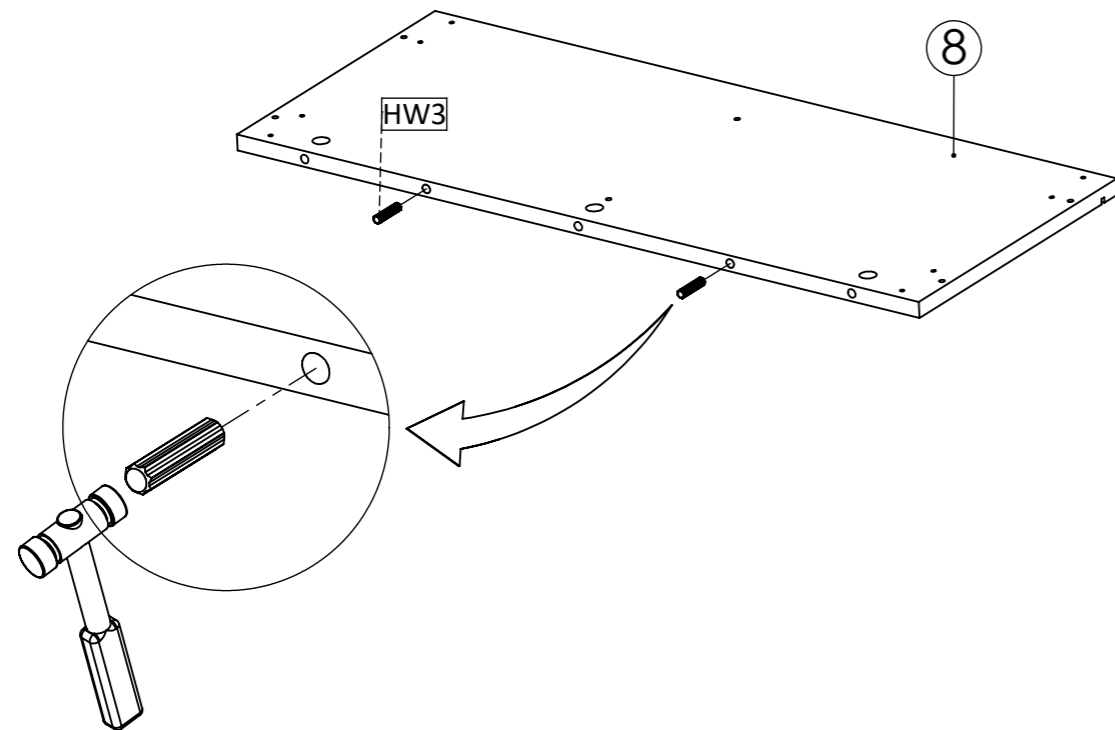
**STEP12:** Insert Box Left Fixed Shelf (12). Secure with Camlock (HW2) And Tighten It Using Screwdriver.



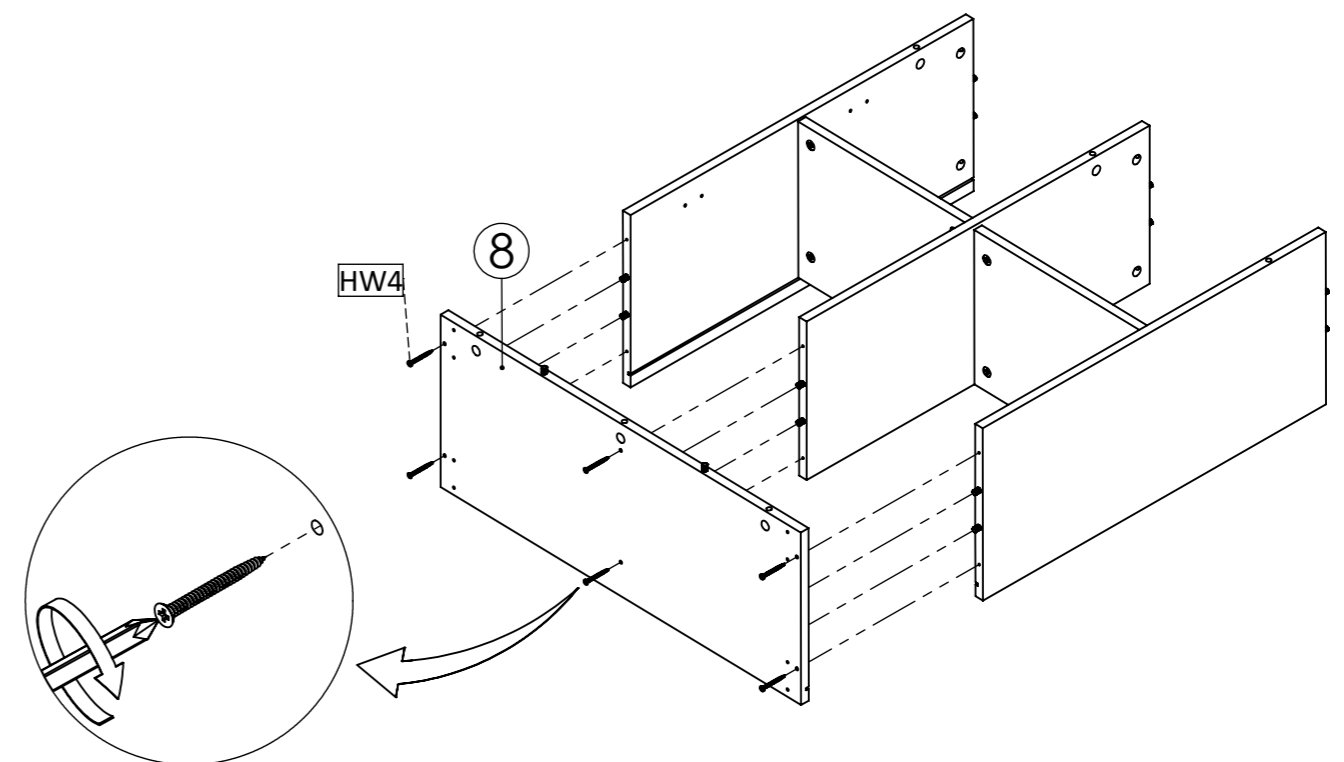
**STEP13:** Insert Cambolt (HW1) Into Box Left Side Panel (13). Insert Wooden Dowel (HW3) Into Box Left Side Panel (13)



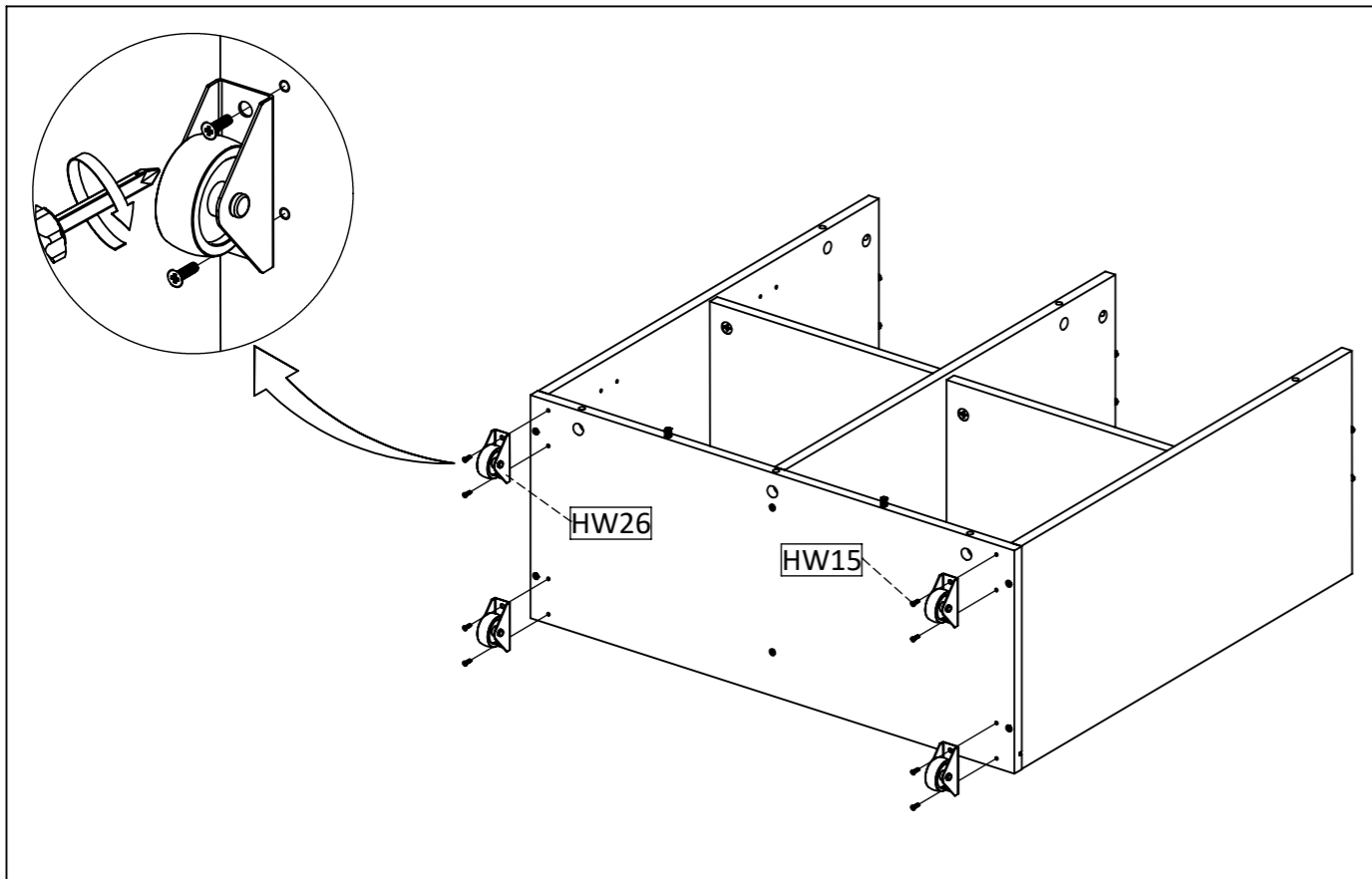
**STEP14:** Insert Box Left Side Panel (13). Secure with Camlock (HW2) And Tighten It Using Screwdriver.



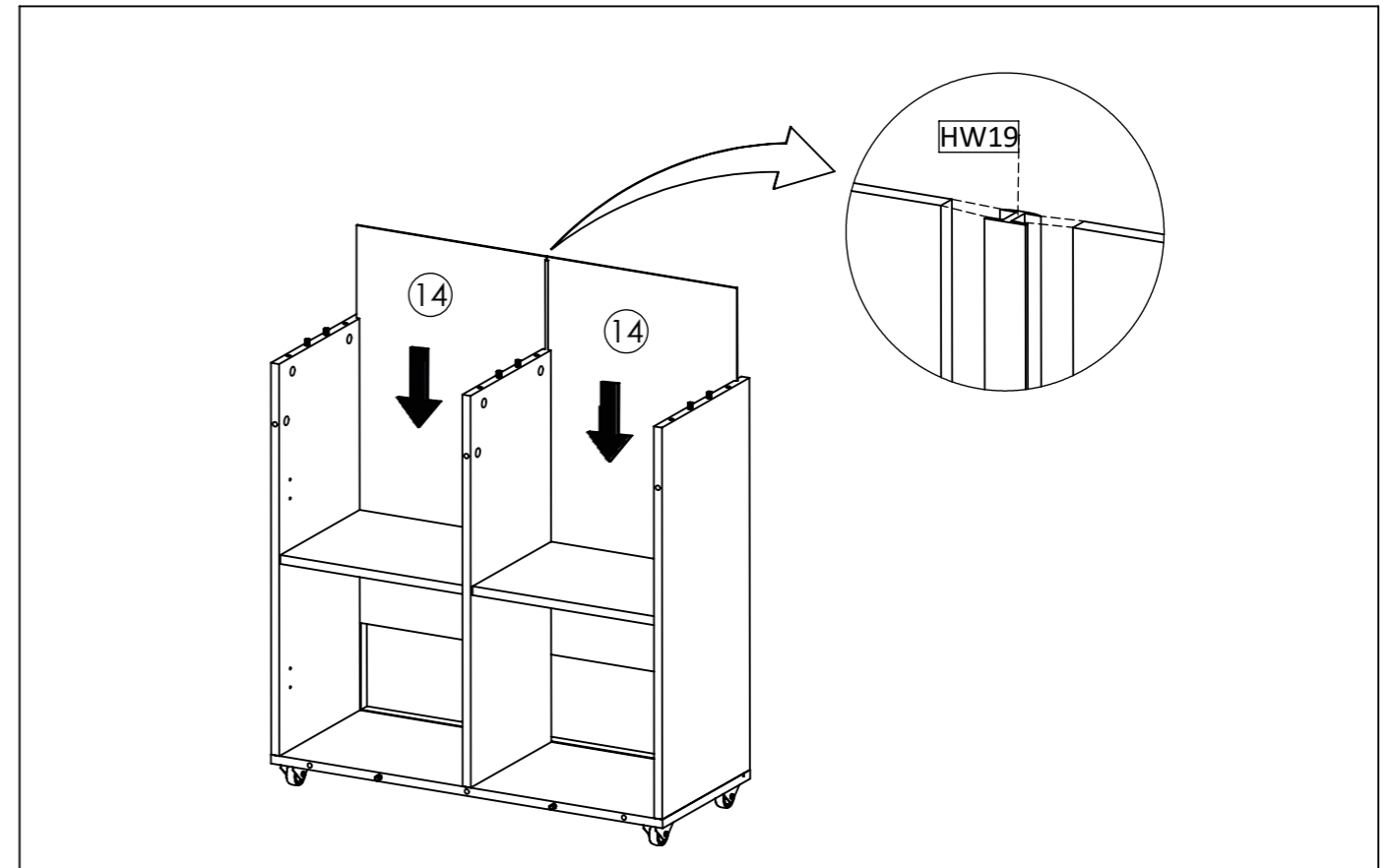
**STEP15:** Insert Wooden Dowel (HW3) Into Box Bottom Panel (8).



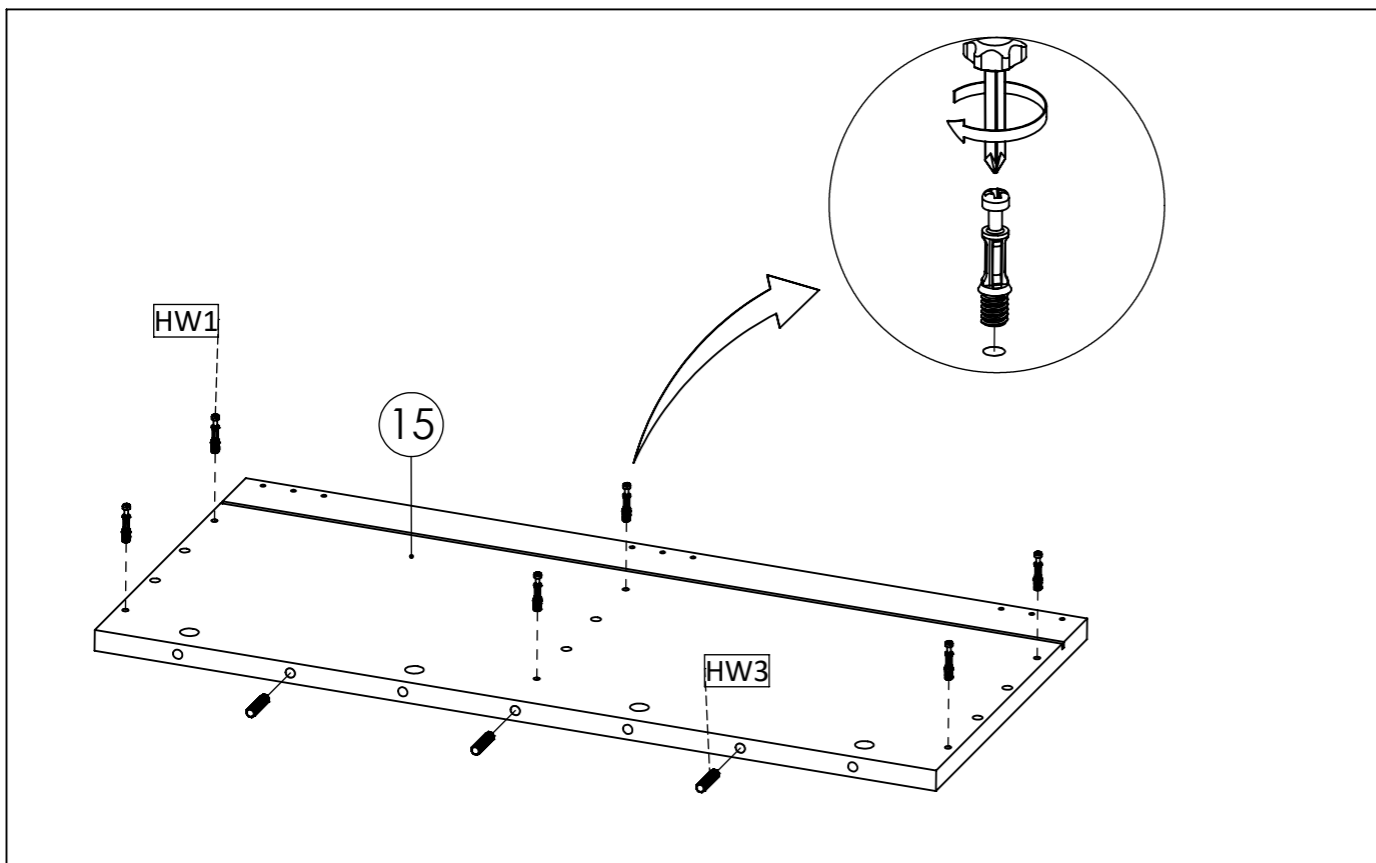
**STEP16:** Insert Box Bottom Panel (8) Secure with Screw M6x50mm (HW4) And Tighten It Using Screwdriver.



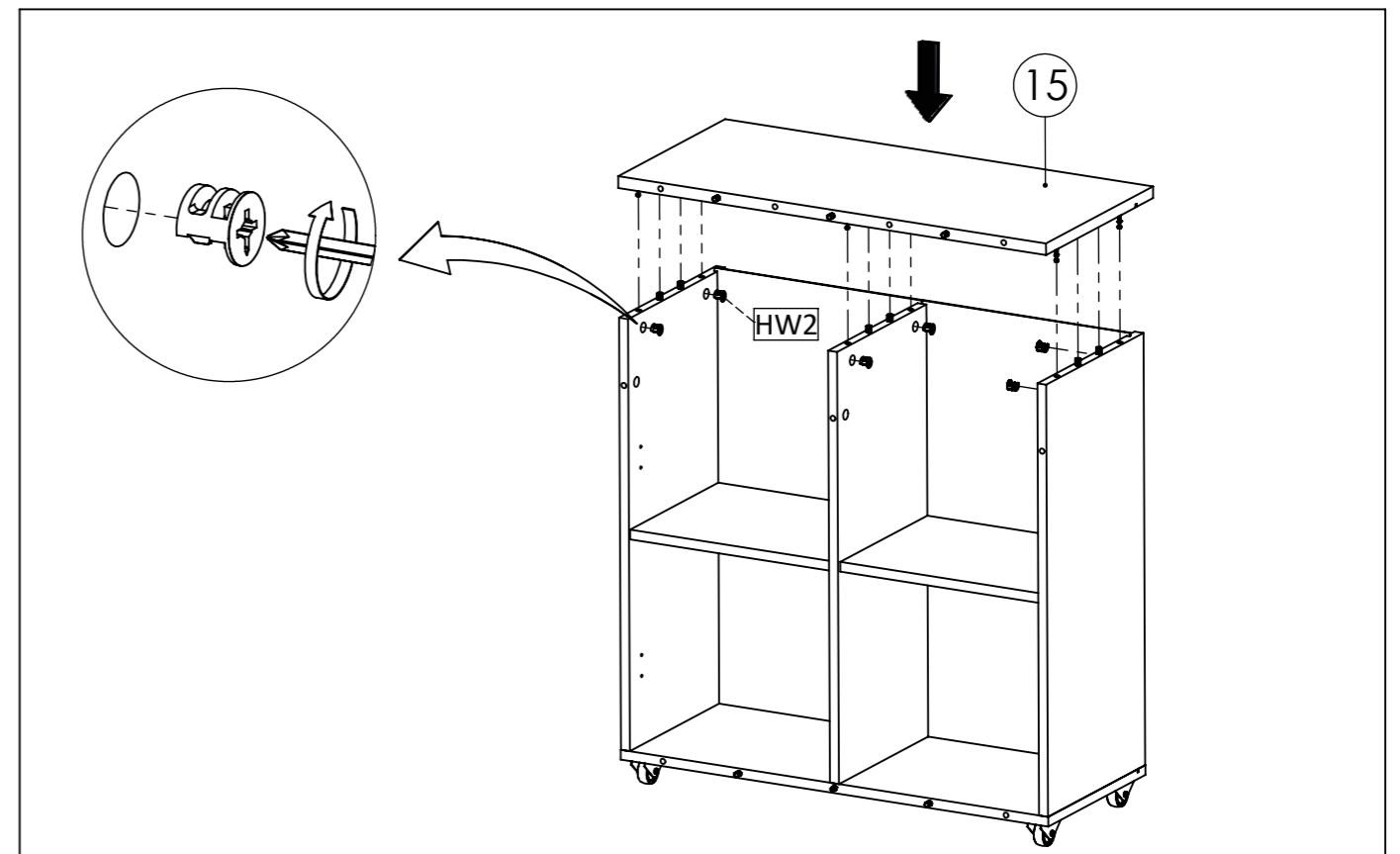
**STEP17:** Insert Wheel (HW26) Secure with Screw M5x12mm (HW15) And Tighten It Using Screwdriver.



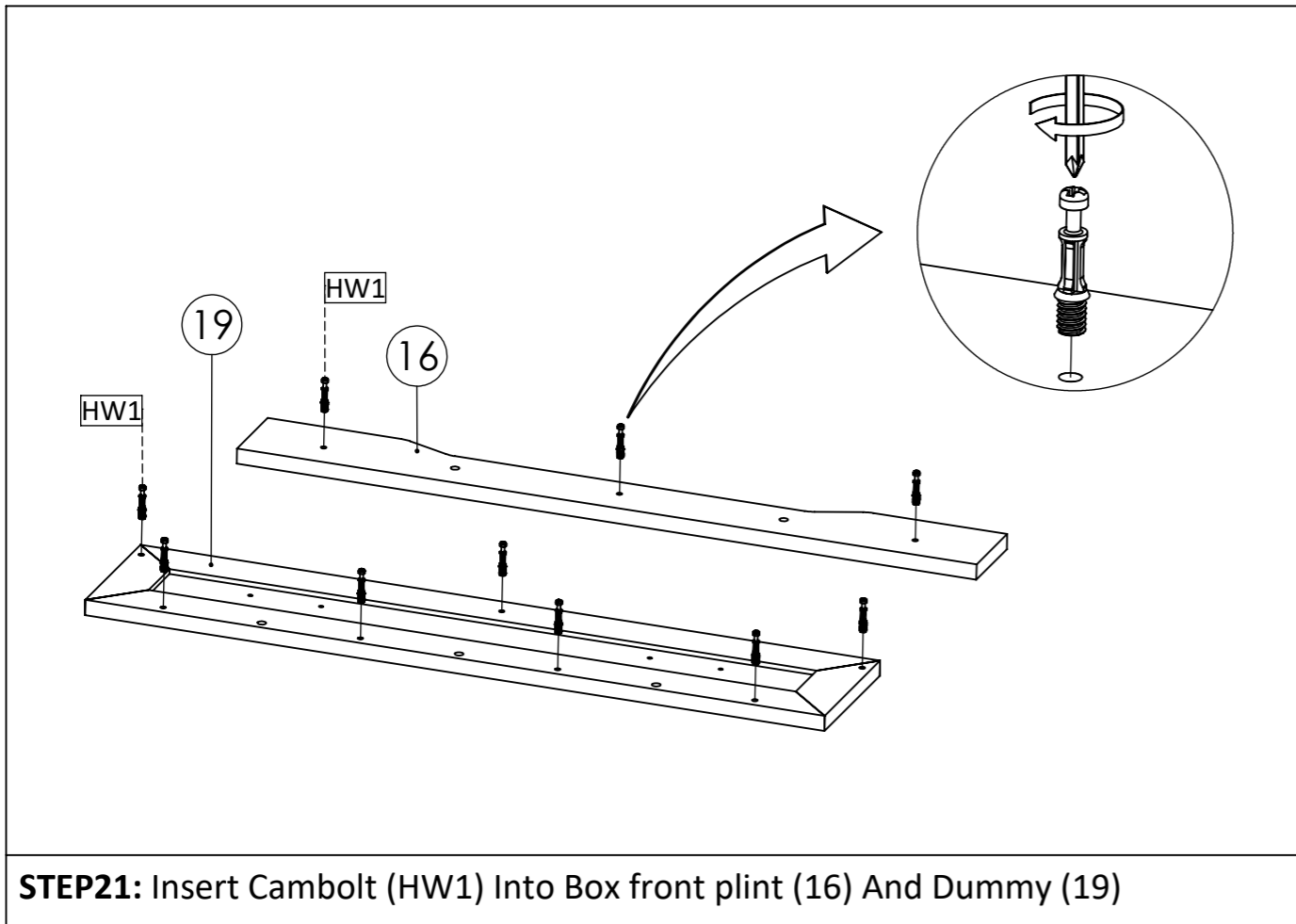
**STEP18:** Insert Box Back Panel x2 (14), And List "H" (HW19)



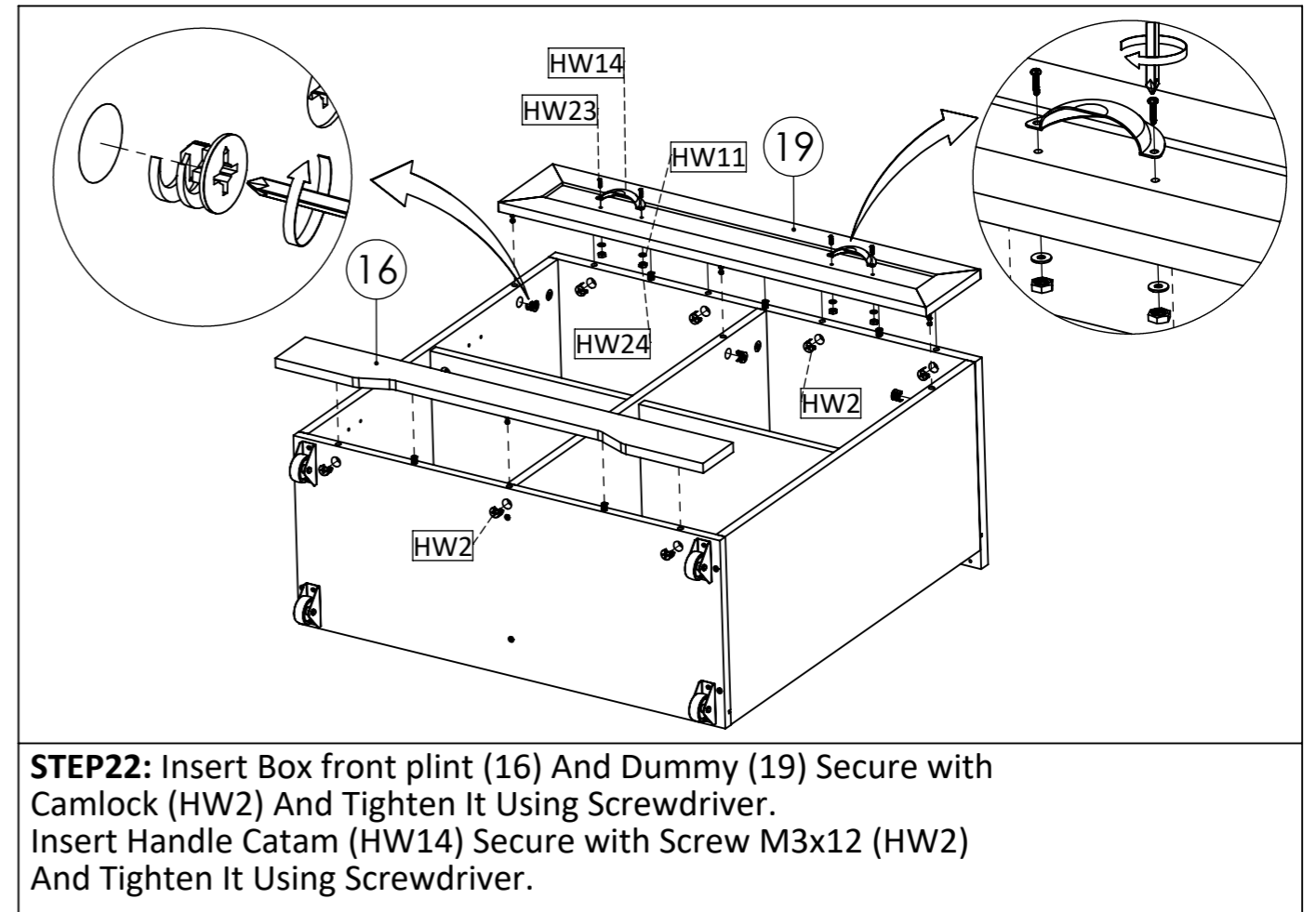
**STEP19:** Insert Cambolt (HW1) Into Box Top Panel (15). Insert Wooden Dowel (HW3) Into Box Top Panel (15).



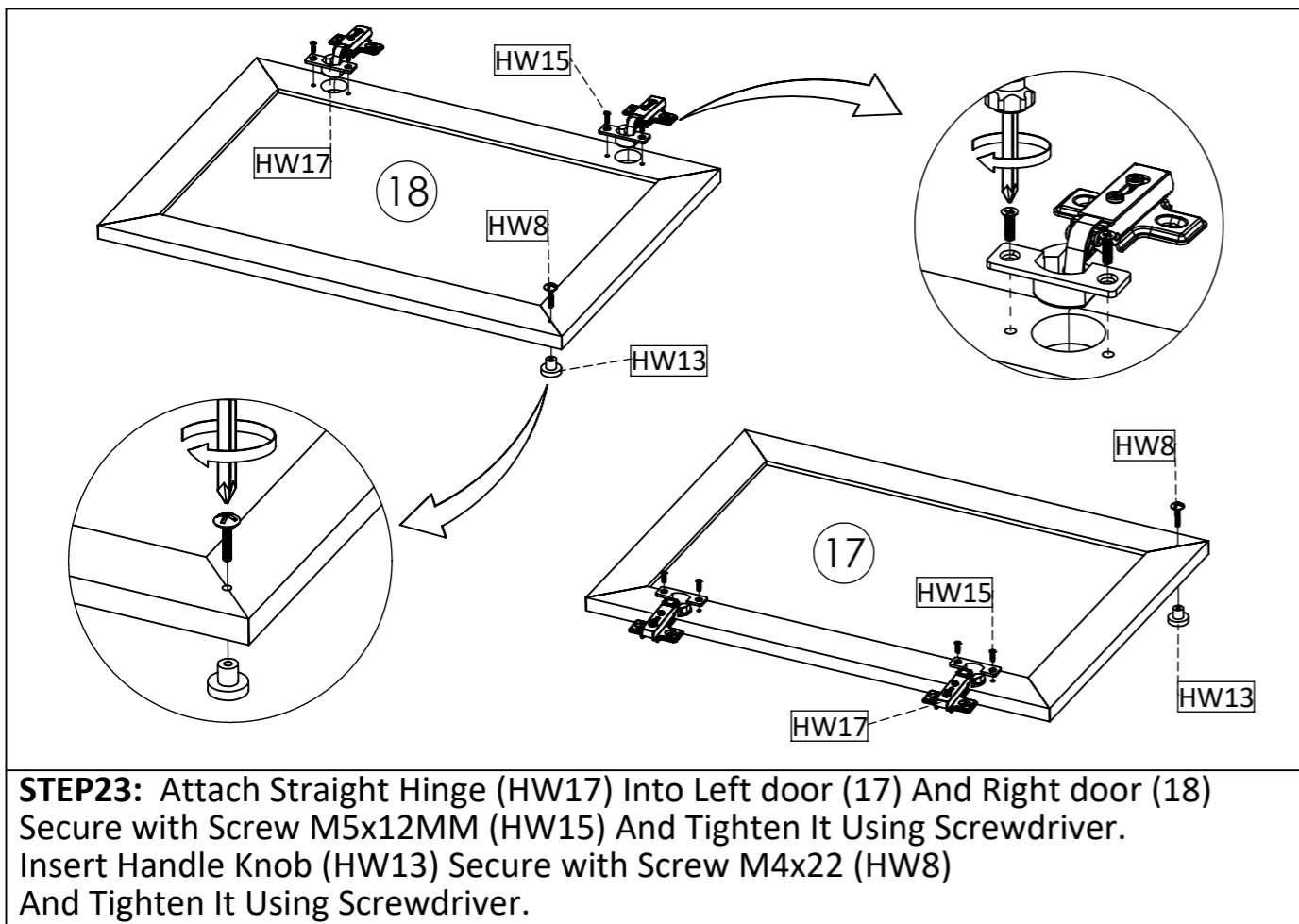
**STEP20:** Insert Box Top panel (15) Secure with Camlock (HW2), and tighten it using screwdriver.



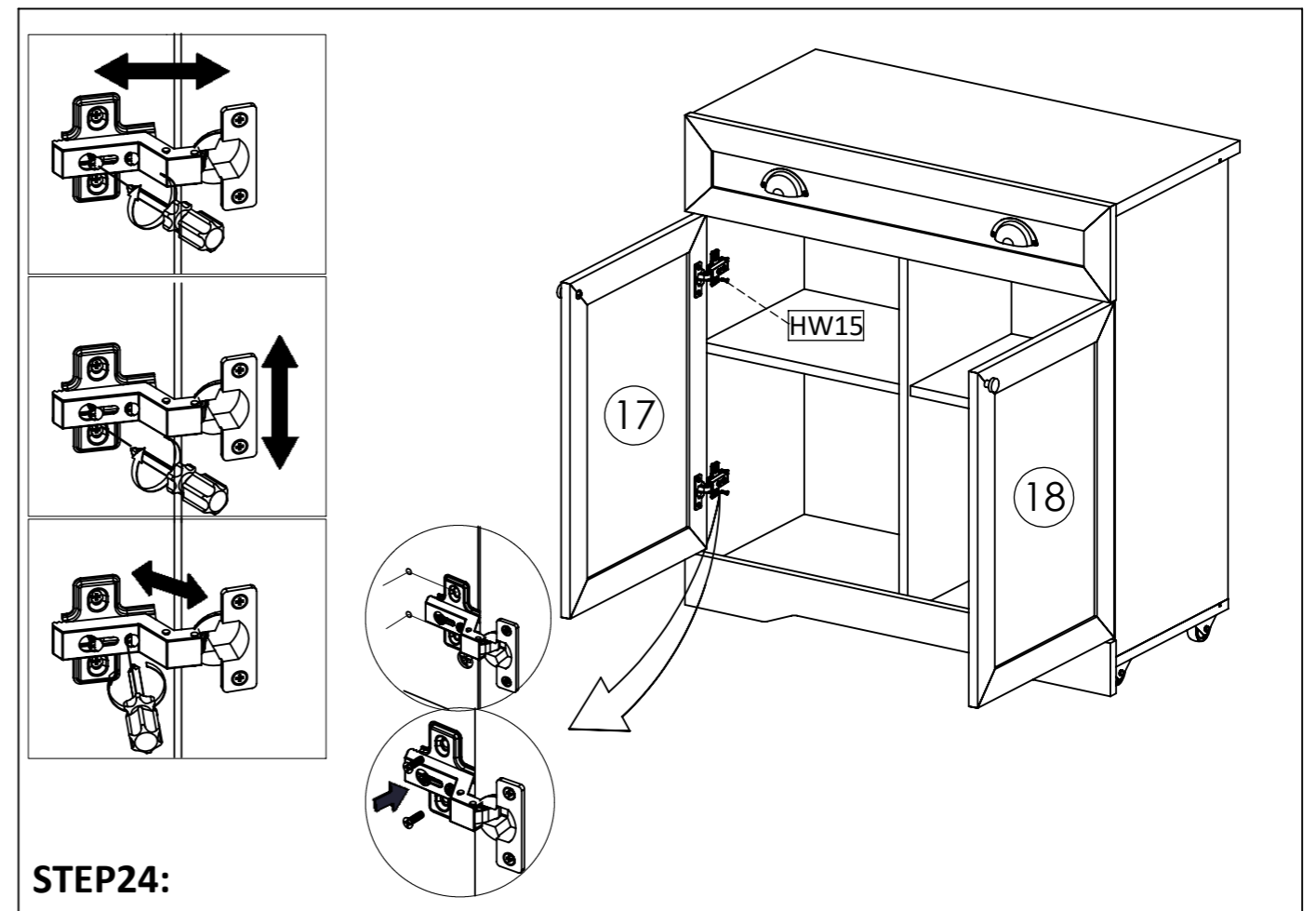
**STEP21:** Insert Cambolt (HW1) Into Box front plint (16) And Dummy (19)



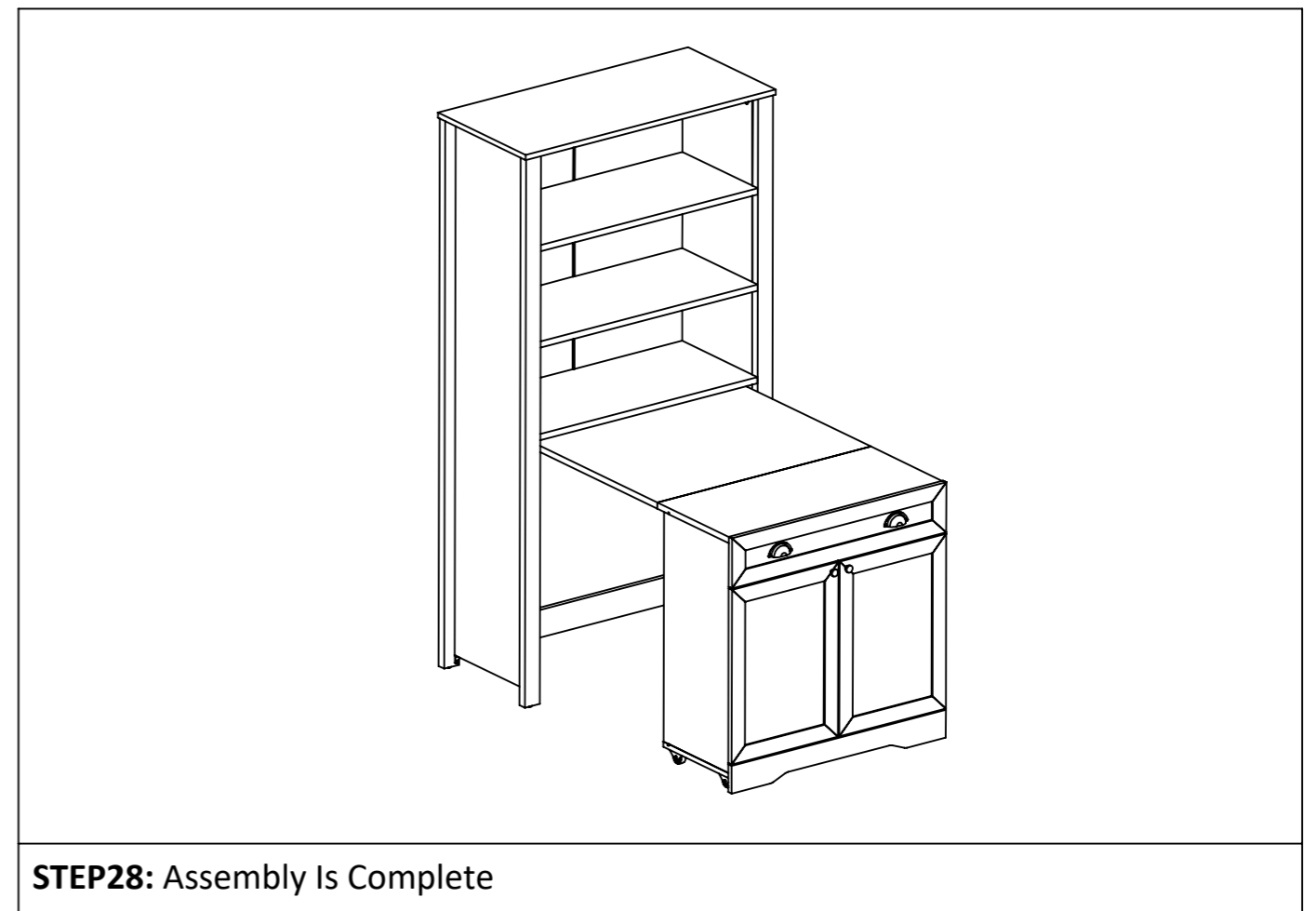
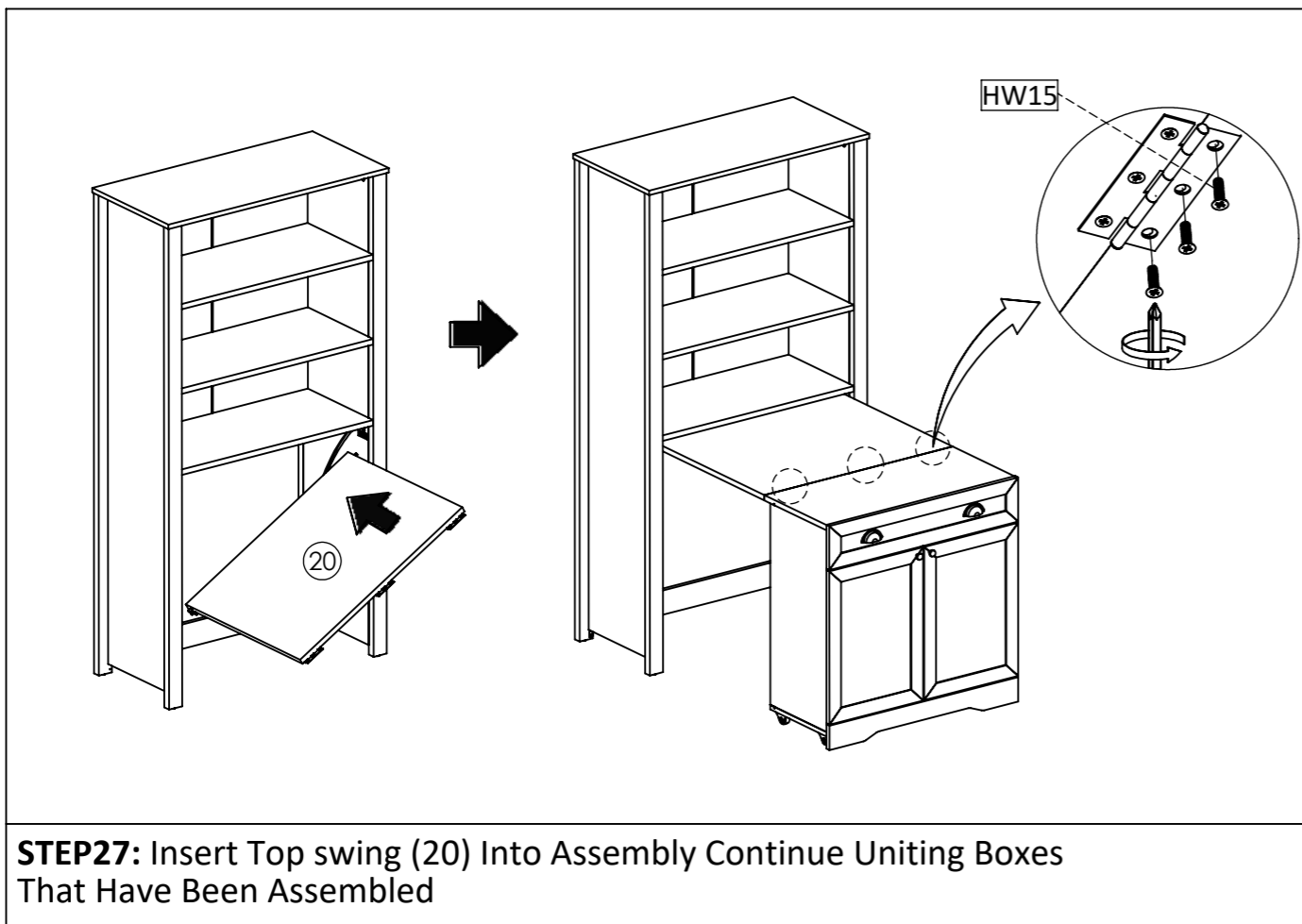
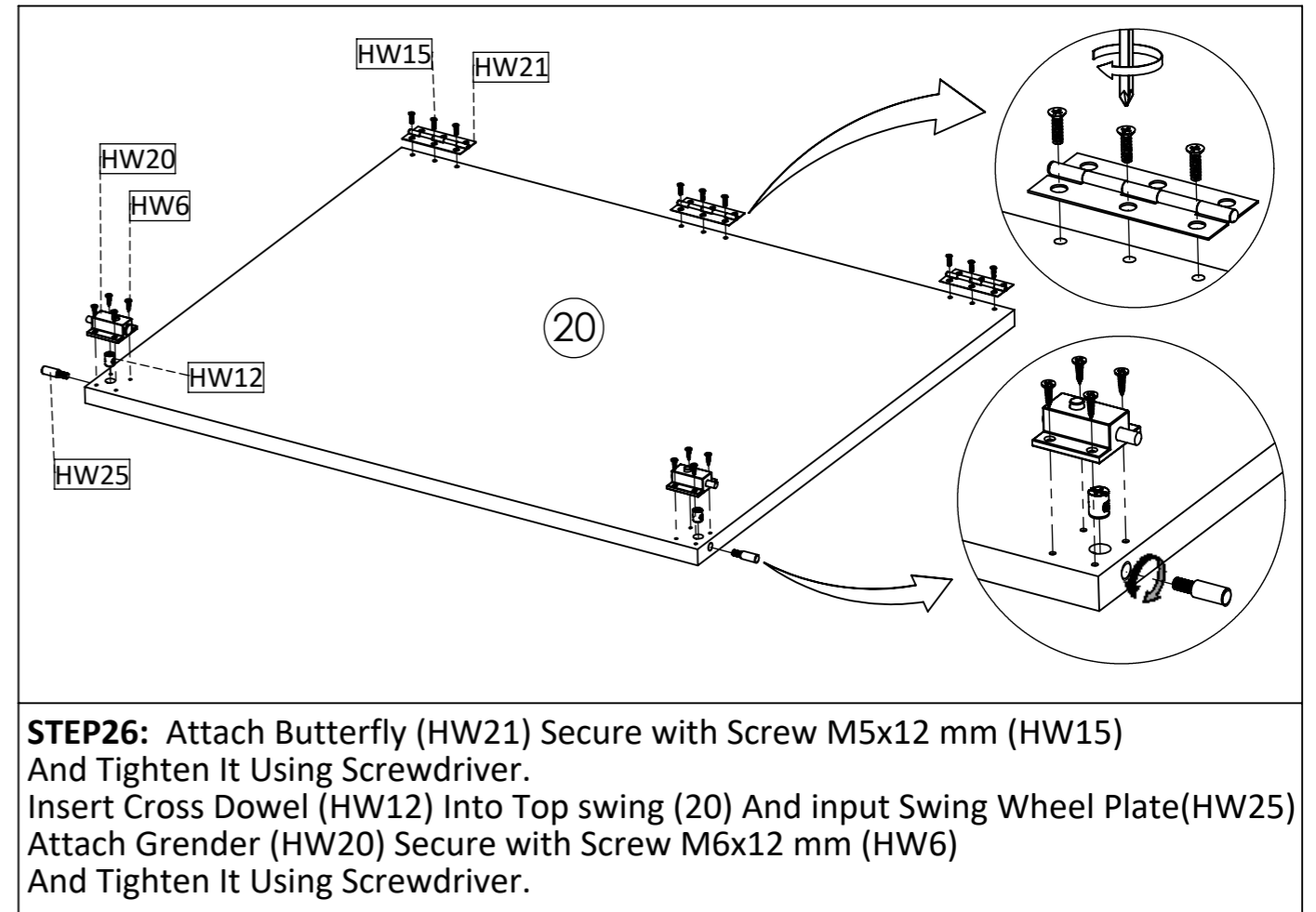
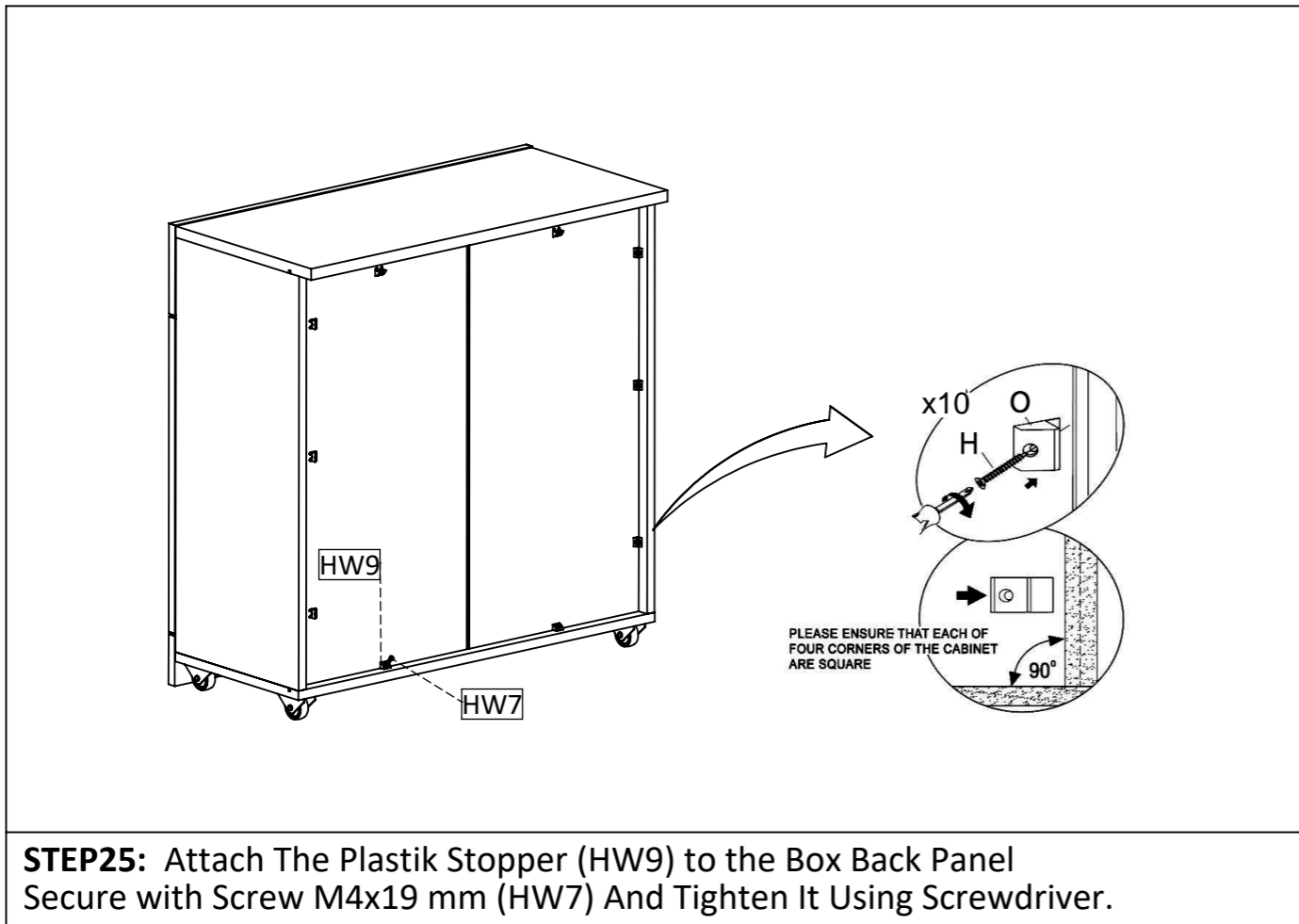
**STEP22:** Insert Box front plint (16) And Dummy (19) Secure with Camlock (HW2) And Tighten It Using Screwdriver.  
Insert Handle Catam (HW14) Secure with Screw M3x12 (HW23) And Tighten It Using Screwdriver.

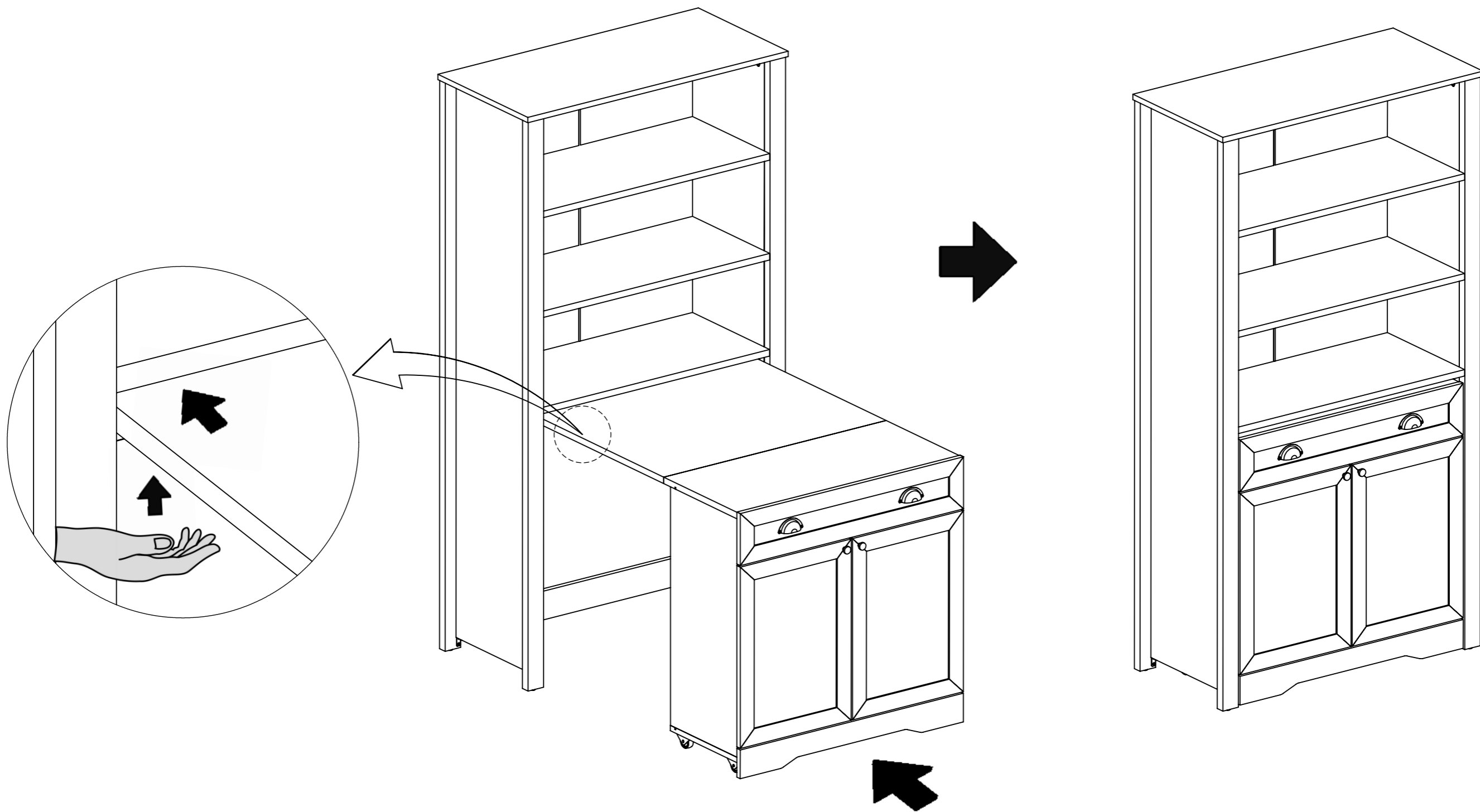


**STEP23:** Attach Straight Hinge (HW17) Into Left door (17) And Right door (18) Secure with Screw M5x12MM (HW15) And Tighten It Using Screwdriver.  
Insert Handle Knob (HW13) Secure with Screw M4x22 (HW8) And Tighten It Using Screwdriver.



**STEP24:**





**STEP29:**

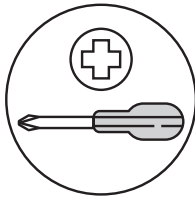
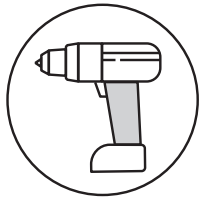


# ANTI-TIP RESTRAINT INSTALLATION

## ! WARNING!

Children have died from furniture tipover.  
To reduce the risk of furniture tipover:

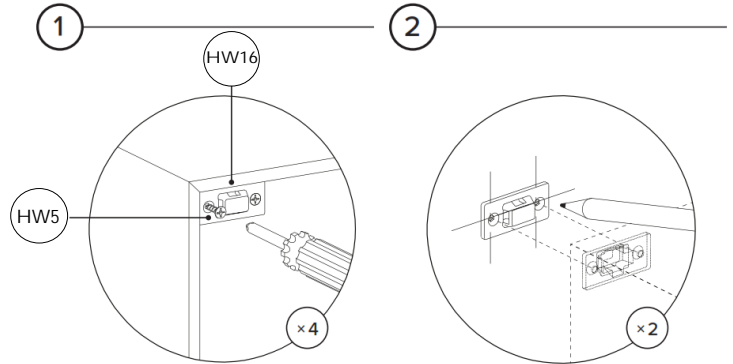
- ALWAYS install tipover restraint provided.
- NEVER allow children to stand, climb or hang on drawers, doors, or shelves.
- NEVER open more than one drawer at a time.
- Place heaviest items in the lower drawers.



**REQUIRED TOOL**  
8MM / 5/16" DRILL BIT

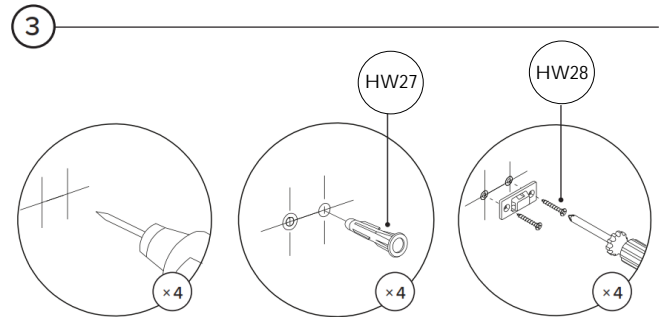
**REQUIRED TOOL**

**!** Hardware (HW14 / HW15) to attach brackets to wall is designed for drywall. To attach this unit to another type of wall, consult with your local hardware store.

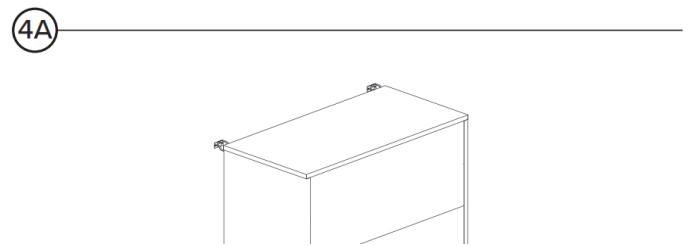


Attach pair of brackets to "Top Panel" of the unit. Note there are no existing pilot holes on the product.

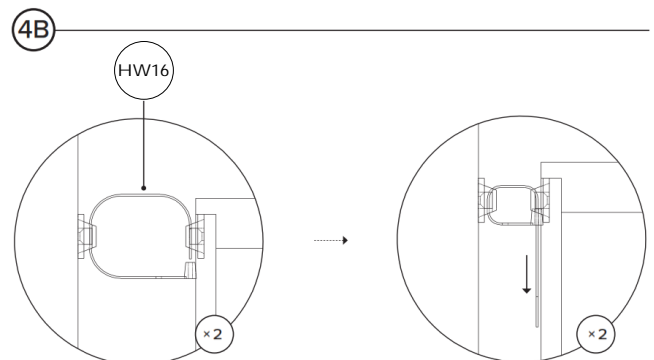
Mark on wall where second pair of brackets should be placed.



Drill holes in wall using 8mm / 5/16" drill bit.

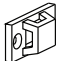

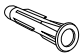
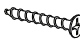



Align brackets on unit with brackets on wall.



Pull strap down until it snap-locks.

### ANTI-TIP RESTRAINT PACK

ID	DESCRIPTION	QTY
HW16	BRACKET 	4
HW5	M6 × 15MM SCREW 	4
HW27	M8 × 35MM PLUG 	4
HW28	M10 × 50MM SCREW 	4
HW16	STRAP 	2