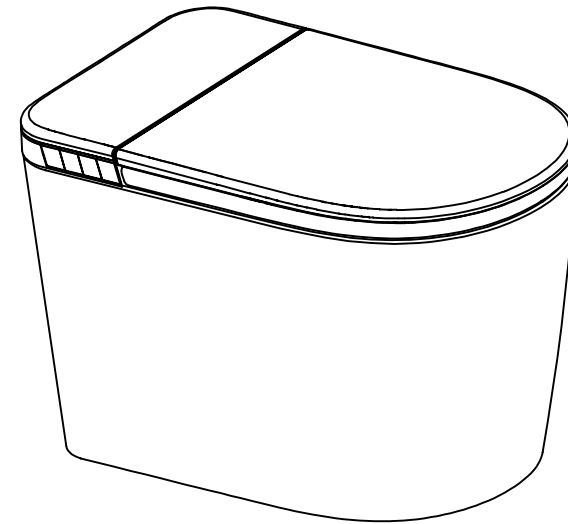


BAYTINA SMART TOILET

INSTRUCTIONS FOR USE AND INSTALLATION



Model: TINA-03 MAX



Foshan Beitina Technology Co.,LTD.

ADD: No. 7, Floor 1, Building 18,
Casa Ceramics and Sanitary wares Mall,
Jihua 4th Road, Chancheng District, Foshan City,
Guangdong Province, China

Made in china

Baytinabathroom@gmail.com

The company reserves the right to interpret this instruction manual. If there are changes to products and technical parameters without further notice, please refer to the latest version of the instruction manual.

PRE-READING INSTRUCTIONS

1. Please read this manual carefully before installation and use;
2. The appearance of the product is subject to the actual.
3. For product functions, please refer to the configuration of the model actually purchased
4. Please keep the instruction manual properly and take it out to read when necessary.

Table of Contents

Installation	Safety precautions.....	01
	Component names.....	04
	Material list.....	05
	Technical drawings.....	05
	Install the toilet.....	06

Use	Preparation before use.....	09
	Function description of side key.....	10
	Instructions for the kick function.....	11
	Description of LED light on display screen.....	12
	Remote control instruction.....	13





Maintenance	daily maintenance.....	16
	1. Maintenance of the main body 2. Maintenance of nozzle 3. Cleaning the filter	
	When not in use for a long time.....	16


Other	Technical specifications.....	17
	Common fault diagnosis and troubleshooting.....	18
	RoHS directive table.....	19
	Energy and water efficiency grade description.....	19

Safety precautions

1. Please read this instruction manual carefully before installation and strictly follow the instructions in the manual for installation.
2. In order to avoid injury and property damage the user and others, please strictly comply with the safety warnings and precautions.

Signs and their meanings

Mark	Explanation
 Note	Indicates that if the instructions in this caution are not followed and the wrong operation is made, personal injury or property damage may result.
 Warning	Indicates that if the instructions in this warning are not followed and the wrong operation is made, it is possible to cause serious injury or death to personnel
 Prohibit	This picture indicates infeasibility, (prohibited).
 Coercion	This figure represents the content that must be [enforced] implemented.

Note	
	<ol style="list-style-type: none"> 1. Please unplug the power cord during a thunderstorm. 2. Do not place the product where it may fall into or be into a bathtub or sink. 3. Do not place the product in water or other liquids. 4. Do not touch products that have already fallen into the water or soaked, and immediately unplug the power cord. 5. Do not stand on the ceramic toilet, and do not strike the ceramic with a heavy object to prevent breakage and leakage 6. It is forbidden to embed the base of the ceramic toilet into a cementitious material (mortar), otherwise, the ceramic toilet may crack due to expansion. 7. It is forbidden to apply strong force or impact, do not stand on the seat ring, lid, or body, and do not place heavy objects. 8. It is to use banana water, gasoline, medicine water, and detergents, insecticides, toilet cleaners, and hard-bristled brushes to clean this product. 9. Do use water sources other than tap water, which may cause problems such as skin inflammation. 10. Do not expose the product to direct sunlight to prevent discoloration and affect remote control reception effect. 11. The seat ring and lid of this product have a slow descent function, please do not press down forcefully to avoid damaging the slow descent. 12. Do not connect the water inlet pipe to the outlet pipe of the water heater, the inlet water temperature is 3-35°C, and exceeding specified range may cause the built-in heating components to malfunction. 13. When using the product, do not lean back on the lid to avoid damaging the product. 14. Do not flush newsprint, sanitary napkins, or menstrual pads into the toilet, as they can easily clog. 15. If the product abnormally or malfunctions, please immediately stop using it, cut off the power supply, and contact customer service in a timely manner. 16. If the model has foam shield function, do not run the foam shield function without installing "foaming agent," otherwise, it may shorten the service life of the foam shield

Note



MUST BE OBEYED

1. When installing, dismantling, repairing and maintaining the product, the power plug must be pulled out and the water supply valve must be closed. Do use below 0°C. If the room temperature is lower than 0°C, the water in the tank must be drained to prevent the tank from cracking due to freezing.
2. If not used for a long time, the power supply must be cut off and the water in the toilet and pipes must be drained. People with physical, sensory, intellectual or lack of experience and common sense (including children) should use this product under the supervision of a specialist. People with heart disease should use it with caution. Do not let children with this product.
3. To prevent damage due to freezing, please implement insulation measures to raise the ambient temperature.

Warning



Lighted cigarettes and other burning materials must not be thrown into the toilet seat, otherwise a fire may be caused.



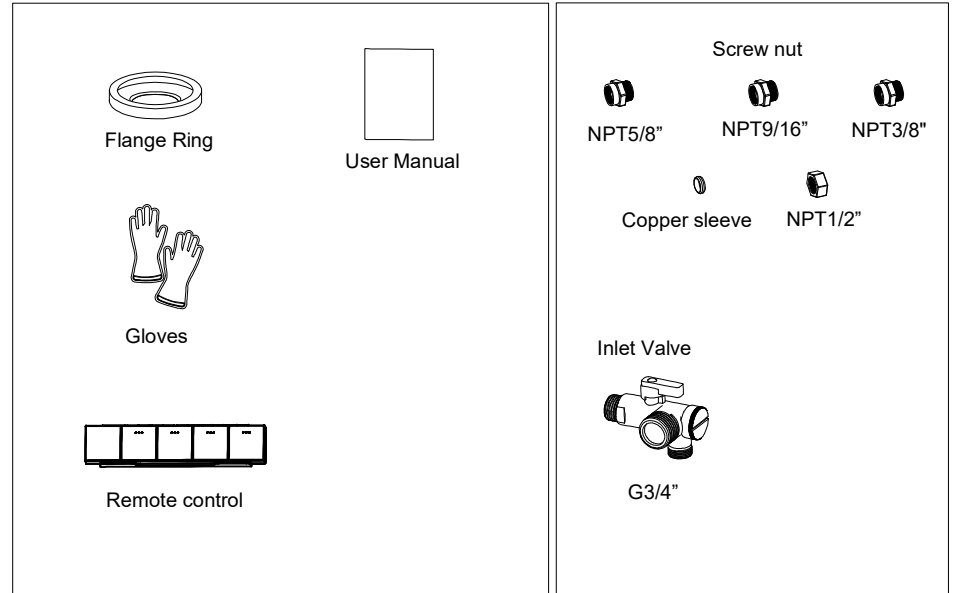
1. Unauthorized disassembly, repair, or modification of the product is strictly prohibited, as it may cause fire or electric shock.
2. It is strictly forbidden to pour water or detergent on the body or power plug, as it may cause fire or electric shock.
3. It is strictly forbidden to touch the plug with wet hands, as it may cause electric shock.
4. It is strictly forbidden to use other electrical appliances on the same outlet.
5. It is strictly forbidden use power extension cords or loose and unstable power outlets, as it may cause fire or electric shock. If the power cord is damaged, it must be replaced by a professional from manufacturer, its service department, or a similar department to avoid danger.
6. This product is an electrical appliance and must not be placed where it is likely to be splashed water. Do not allow urine or other liquids to come into contact with the main body.
7. Do not insert or block the drying outlet with your finger or other objects, it may cause burns, electric shock, or damage.
8. When the product is powered on, it must not be placed on its side or upside down, as it may fire or damage. If the model has a foam shield function, do not store corrosive solutions on the foam shield, as it may cause electric shock or damage.



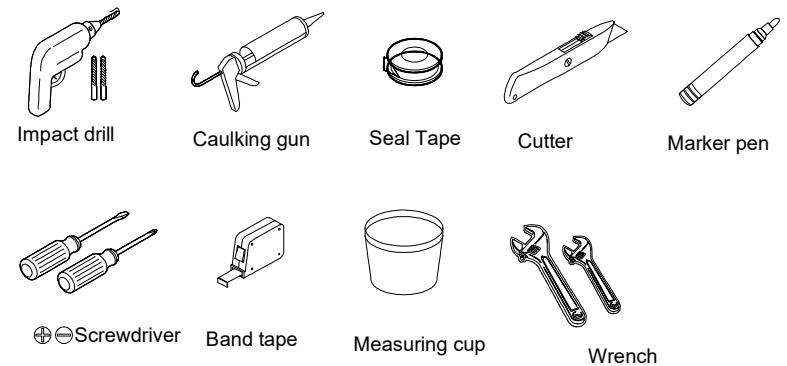
MUST BE OBEYED

1. Do not install or use this product in damp places such as bathrooms.
2. This product must be reliably grounded, and it is necessary to that the AC plug socket grounding wire is reliably connected to the ground, and the grounding wire should use a three-pin plug socket. If it is not sure whether it reliably grounded, please have a qualified electrician or maintenance personnel check and confirm. Please ensure that the power plug socket used by the product is connected according to the national standard (left fire), and it cannot be connected reversely.
3. This product must be connected to a standard socket and wiring with 220V/50Hz, and socket must be equipped with a ground fault circuit breaker or a ground leakage protector or a similar high-sensitivity, fast-type leakage switch (rated sensitivity current below 0mA).
4. The socket position should be installed in a place that is not easy to be sprayed by water, and it is recommended to use a waterproof socket.
5. Installation should use the new flexible pipe components and other parts attached to the appliance, and other old flexible pipe components cannot be reused, otherwise, it may cause leakage, fire electric shock.
6. When the product is moved from a cold or damp place to the room, place it for 2 hours to fully evaporate the condensate in the machine, then start the machine for use, so as not to cause a short circuit of the product.

ACCESSORIES LIST

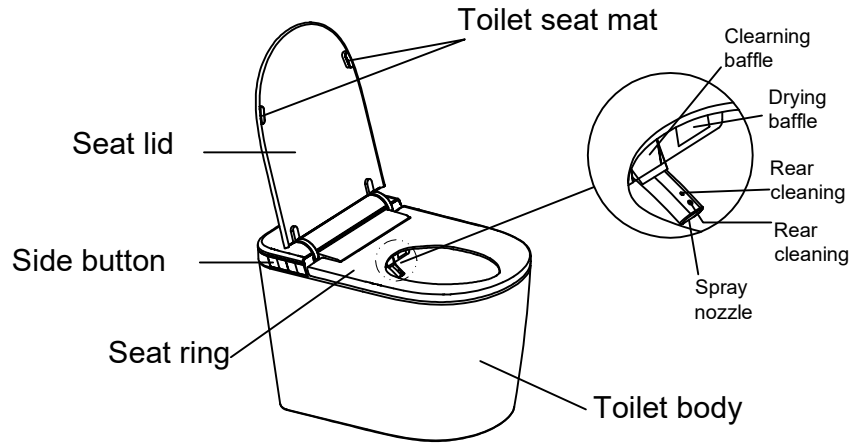


TOOLS PREPARATION

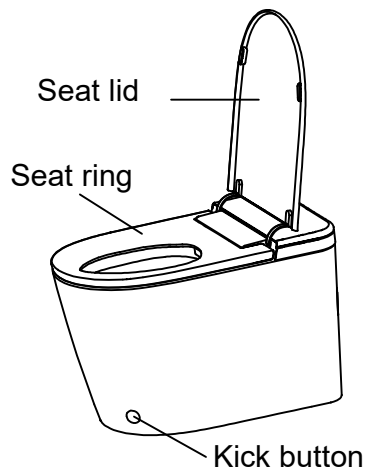


Component names

Product left view



Right view of the product

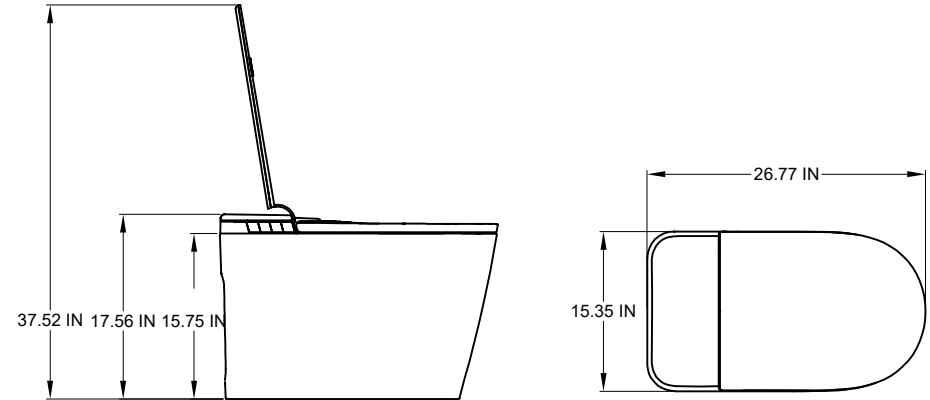


Material list

Host, foam liquid (not included in basic and standard configurations), matching angle valve, 4-to-2-way reducer, sealed flange, battery, instruction manual.

Technical drawing

Unit: in

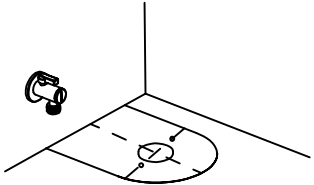


Note: 1. The product appearance diagram in this manual is for reference only, and we reserve the right to modify the product appearance.
2. If there are changes in the product appearance, please refer to the actual product.

Install the toilet

1. Install the matching angle valve

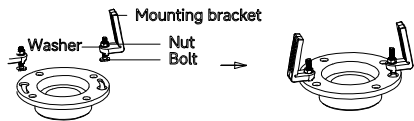
Install the matching angle valve at the appropriate position on the wall.



- ※ Matching elbow valve must be used, otherwise it may cause pipeline blockage.
- ※ If there is an old elbow valve installed on the wall, it should be replaced by a professional to avoid the elbow valve from failing to install due to improper disassembly.

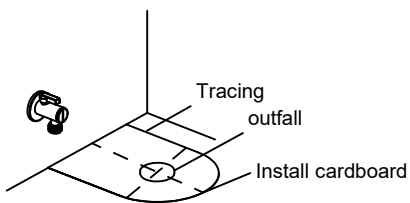
Mounting bracket installation

Assemble the mounting bracket with bolts and then install them to the pre-installed flange plate on the ground and lock tight with nuts.



2. Draw a line

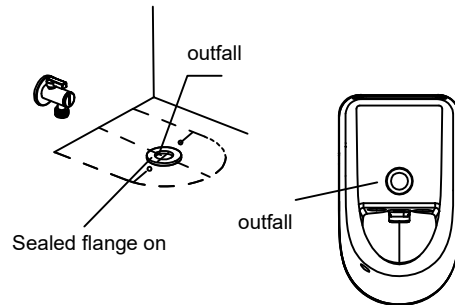
Install the matching angle valve at the appropriate position on the wall.



Align the installation cardboard with the centerline of the drainage port; after outlining the corresponding contour line according to the installation cardboard, remove the installation cardboard

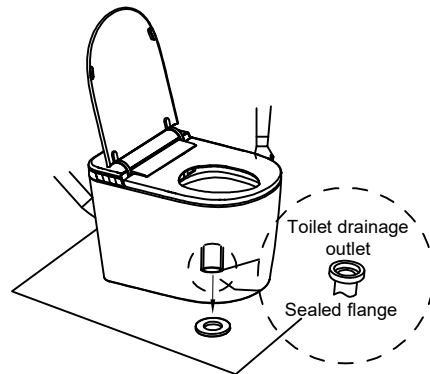
3. Install the sealed flange

Clean the garbage and other dirt at the ground drainage and toilet drainage, and cover the ground drainage with a sealed flange.



4. Install the toilet seat

According to the contour line drawn, install the toilet in the corresponding position, press down hard, so that the ceramic is flush with the ground.

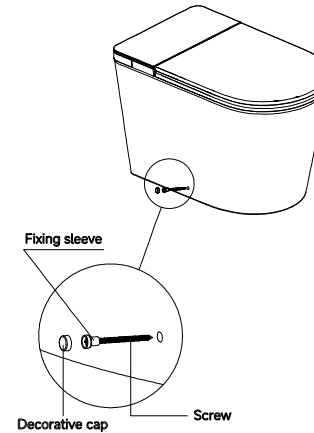


- ※ Please keep the ground clean and dry before installation.
- ※ Since the toilet is heavy, please open the lid and seat ring during installation, and lift it up two people as shown in the picture.

Install the toilet

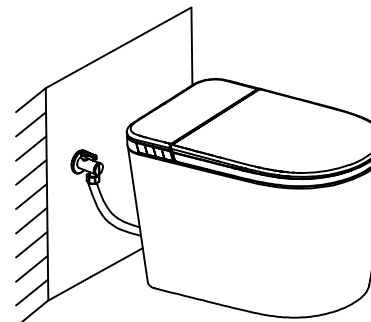
4. Screw installation

Put the screw through the fixing sleeve and then install it through the holes (on both sides of the toilet bowl) to the mounting bracket on the ground. Lock tight. Install the decorative cap on the fixing sleeve.



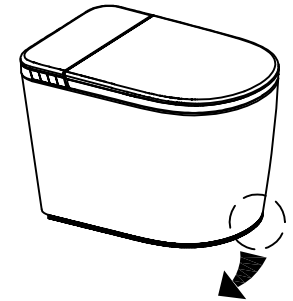
5. Connect the flexible hose and the angle valve

Connect the other end of the supply hose to the angle valve and tighten it.

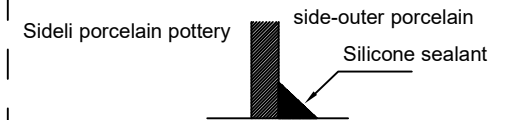


6. Apply silicone sealant

Apply a quality mold-proof silicone sealant around the lower edge of the toilet.



Apply silicone sealant to the outside of the ceramic edge

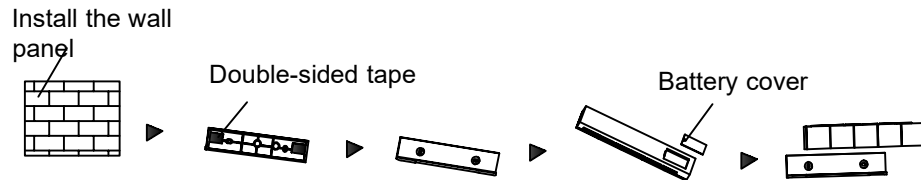


Install the toilet

7. Install the remote control

Adhesive installation

1. Clean and dry the pre-installed area of the remote control hanger on the wall;
2. Tear off the double-sided adhesive sticker on the back of the hanger;
3. Stick to the wall horizontally, tear off the double-sided adhesive sticker on the back of the patch, and glue it on;
4. Install the new battery (AAA) into the remote control and cover the battery cover;
5. Place the remote control in the pylon.



※Tip:

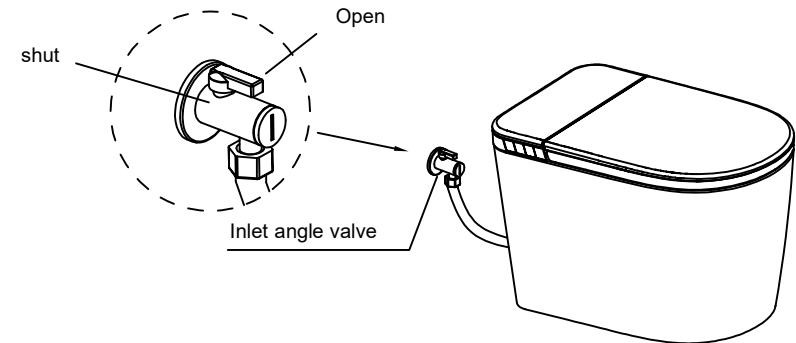
1. When determining the installation position, pay attention to ensure that people can get the remote control when sitting on the seat ring.
2. Please don't install and use the product in wet places such as bathroom, and don't put it in places that are easy to be drenched by water.

Instructions for use before use

1. Open the angle valve

Check the sealing at the threaded connection, ensure no water leakage, counterclockwise open the angle valve, adjust the opening to the maximum.

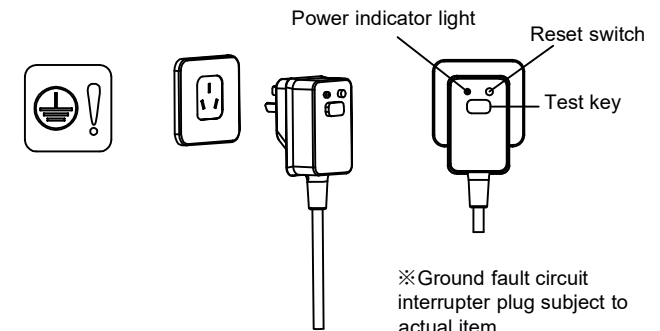
(Note: first time to open, the angle valve handle torque is larger)



2. Power on

The plug with leakage protection of the power line is inserted into the power socket, the reset switch is pressed, and the plug indicator light is on, indicating that it powered on.

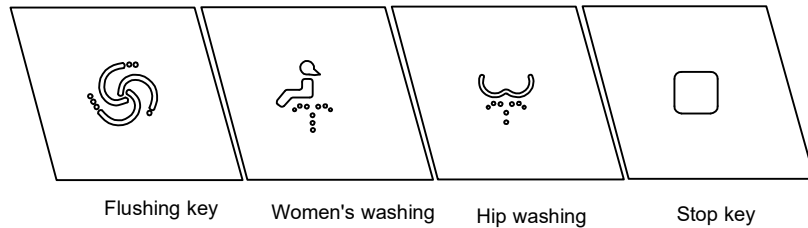
Warm prompt:
press the test button before use,
the reset switch pops up,
the indicator light goes out, indicating
that the leakage protection
function is normal



3. Safety self-inspection

1. The host buzzer beeps once, "di", to start self-checking, during which the display screen keeps flashing.
2. The buzzer beeps again, "di di", indicating that the self-check is completed, the display screen stops flashing and shows the current seat temperature.

Function description of side key



Stop key

1. Press the "Stop" button briefly to stop cleaning (cleaning includes six functions of hip washing/massage washing/moving hip washing/moving hip washing, and subsequent cleaning refers to these six functions), drying and self-cleaning.
2. Press and hold the "Stop" key to turn it off.
3. Connect the external battery when the power is off, and press and hold the "Stop" button to start flushing.

Hip washing

1. Press the "Hip Wash" button for a short time in the seated state to turn on the hip wash.
2. Press the "Hip Wash" button briefly in the hip wash state to switch to mobile hip wash.

Women's washing

1. Press the "Women's Wash" button for a short time in the seated state to start the women's wash.
2. Press the "Woman Wash" button for a short time in the hip wash state to switch to mobile woman wash.

Flushing key

1. Short press to start flushing when leaving the seat.
2. Short press to start drying in the seated state.

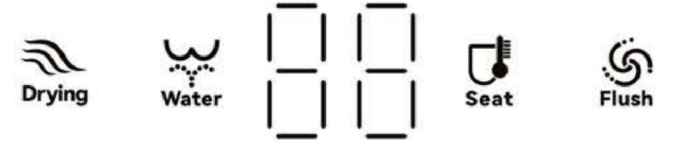
Instructions for the kick function

1. When the radar sensing is triggered, even if the lid is open and the seat ring is closed, the trigger kick will perform a flip ring.
2. When there is no radar sensing trigger, even if the lid and seat ring are both closed, the trigger kick will perform a flip lid (the foot feel does not respond the flip lid process), and then trigger to perform a flip ring; or the foot kick will automatically open the ring and open the lid after continuous triggering for 1.5 (open the lid and then open the ring)
3. When the lid and seat ring are both open, and the seat ring is open <12 seconds, trigger will perform a close ring, and then trigger to perform a close lid
4. When the lid and seat ring are both open and the seat ring is open >2 seconds, the trigger foot feel will perform a close lid and close ring and flush once.

Note:

1. The standard foot-kick function can only trigger flushing.
2. The foot-kick function is invalid in the seated state.

Description of LED light on display screen



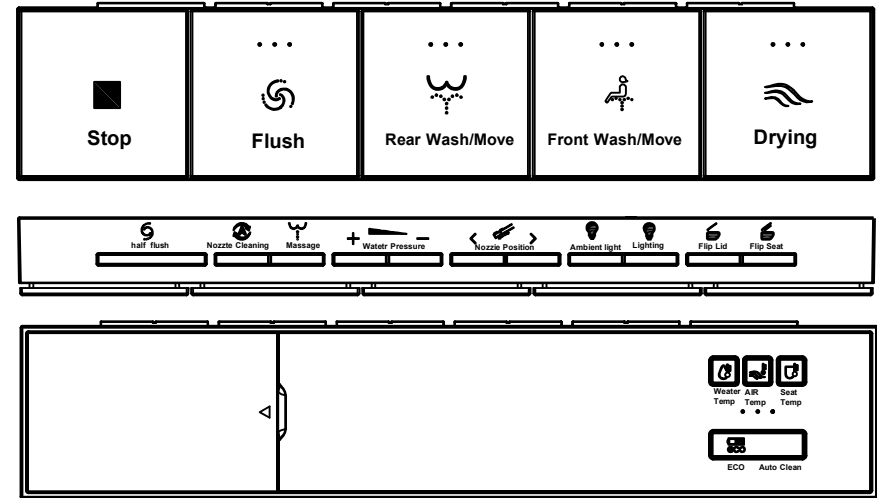
1. During the power-on self-inspection stage, the Drying icon, the Water icon, the seat icon and the Flush icon all flash to display the number 88 and flash. After the self-inspection, all the indicators light up, and the real-time temperature is displayed when the current seat temperature is displayed at the normal temperature.

2. During Drying, the drying icon flashes continuously, the digital icon shows the current air temperature, and the star shows the real-time temperature when it is in normal gear.

3. During cleaning, the national standard of Water flashes continuously, and the digital icon shows the progress of the current water gear, and the real-time degree is displayed when the gear is at room temperature.

4. The Seat icon in the docking lake flashes continuously, and the digital icon shows the current seating temperature, and the real-time temperature is displayed when it is always on (the cleaning/drying function is turned on during docking, and the digital icon shows the corresponding cleaning/drying temperature).

Remote control instruction



Remote control pairing:

After the power-on self-test is completed, long press the side hip wash button, and then briefly press the remote hip wash button.

stop

1. Press the "Stop" button briefly to stop the functions such as cleaning, drying and self-cleaning.
2. Press and hold the "Stop" key to turn it off.

flush

1. Press the "Flush" button briefly to trigger flushing (the flushing interval is 30 seconds, and it cannot be triggered by pressing it again).
 2. Press and hold the "Flush" key to turn on or off the automatic flush function in the air.
 3. Press the "Flush" button shortly within 3 seconds after shutdown to enter the water effect adjustment mode (adjusting the flushing volume). The water effect can be adjusted in four stages, and the size can be adjusted by pressing "spray bar <" and "spray bar >".
 4. Press the "Flush" button for a long time to turn on or off the automatic foam shield function.
- Note: It is invalid to press "Flush" when seated.

Hip washing

1. Press the "Wash" button for a short time in the seated state to start hip washing.
2. Press the "Hip Wash" button briefly again during hip wash to switch to mobile hip wash.
3. Press and hold the "Hip Wash" key to turn on or off the infrared physiotherapy function during cleaning.

Women's washing

1. Press the "Women's Wash" button for a short time in the seated state to start the women's wash.
2. Press the "Women's Wash" button again during the women's wash to switch to mobile women's wash.
3. Press and hold the "Woman Wash" key to restore the factory settings.
4. Press the "Women's Wash" button for 3 seconds to turn on or off the automatic wall moistening function.

Remote control instruction

oven-dry

1. Press the "Drying" button briefly to start drying in the seated state.
2. Press and hold the "Drying" key to turn on or off the urine foam shield function.
3. Press the "Drying" key for 3 seconds to turn on or off the automatic drying function.

Note: The cleaning and drying functions can only be started when the seat is seated.

Xiaochong

Short press the "small punch" key to trigger the small punch function.

Note: It is invalid to press "small punch" in the seated state.

self-cleaning

1. Press the "self-cleaning" button briefly to start the self-cleaning mode 1 (self-cleaning by cyclic expansion of the spray bar).
2. Press the "self-cleaning" key in the state of self-cleaning mode 1 to switch to self-cleaning mode 2 (self-cleaning with fixed spray bar).

massage

Press the "Massage" button for a short time in the seated state to start massage cleaning.

Water pressure+/-

Press the "water pressure+/-"key briefly to adjust the water pressure, and the water pressure gear can be adjusted in four gears.

Spray bar </>

1. Press the "spray bar </>" key in the cleaning state to adjust the telescopic position of the spray bar, and the position of the spray bar can be adjusted in four steps.
2. Press "spray bar >" briefly to manually turn on the deodorization function.
3. Turn off the machine for 3 seconds. Press the "spray lever <" button for a short time to adjust the flip strength gear, with 14 gears in total. Press it once to raise the gear to the highest gear, and then press it back to the first gear.
4. Turn off the machine for 3 seconds, and press the "spray bar >" button for a short time to adjust the turnover intensity gear, with 14 gears in total. Each time you press it, you can raise one gear to the highest gear and then press it back to the first gear.

illuminate

1. Short press the "Lighting" key to turn on or off the night light and the atmosphere light.
2. Press the "Lighting" button within 3 seconds after shutdown to turn on or off the automatic flushing function before drying.

rebuild

1. Press the "flip" button to open or close the toilet cover.
2. Press the "Close the Cover" button within 3 seconds after power off to enter the radar distance adjustment mode, which can be adjusted in three gears, and press the "Spray Bar </>.Add and subtract gears.

Remote control instruction

Turn around

1. Press the "flip" key to open or close the seat ring.
2. Press the "flip over" button within 3 seconds of shutdown to turn on or off the automatic ring-dropping, cover-dropping and flushing function. Note: 1. It is impossible to open the seat ring and close the toilet cover when seated.
2. When both the toilet cover and the seat ring are closed, the toilet cover and the seat ring will be opened by short pressing the "flip" key.
3. When both the toilet cover and the seat ring are open, the toilet cover and the seat ring will be closed by short pressing the "flip" key.

water temperature

1. Press the "Water Temperature" key briefly to adjust the water temperature gear, and the water temperature gear can be adjusted in six gears.
2. Press and hold the "water temperature" key to start hot and cold cleaning.

Note: hot and cold cleaning can only be switched during the cleaning process (water temperature is changed circularly during the hot and cold cleaning process: 30C water temperature for 15 seconds and 38 C water temperature for 15 seconds).

Seat temperature

Press the "seat temperature" button briefly to adjust the seat temperature gear, and the seat temperature gear can be adjusted in six gears.

Energy Saving Press the "Energy Saving" button to switch the temperature control mode. One sound is the normal mode; The second tone is energy-saving mode. The factory defaults to energy-saving mode.

Wind temperature

1. Press the "air temperature" key briefly to adjust the air temperature gear, and the air temperature gear can be adjusted in six gears.
2. Press the "air temperature" button within 3 seconds after shutdown to turn on or off the automatic deodorization function of the seat.

energy conservation

Press the "energy saving" key briefly to switch the temperature control mode. One sound is the normal mode; The second tone is energy-saving mode. The factory defaults to energy-saving mode.

Automatic cleaning

Press the "Automatic Cleaning" button briefly to start automatic cleaning.

Fully automatic cleaning: start hip washing, then switch to mobile hip washing, automatically flush after cleaning, and finally automatically start drying.

Tips

1. Please sit back as far as possible when sitting on the seat ring, so that the washing position will be easy to align and there will be no water splashing.
2. In the process of spraying, if a person stands up, spraying will continue for 1-2 seconds. Please press the stop button before standing up.

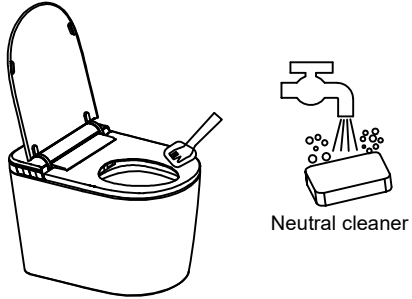
daily maintenance

1. Maintenance of the entity

Please wipe the dirty parts with a soft cloth that has been wrung out.

Precautions:

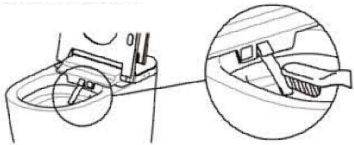
1. Please turn off the power before maintenance.
2. Please turn on the power again after wiping.



Neutral cleaner

2. Maintenance of nozzles

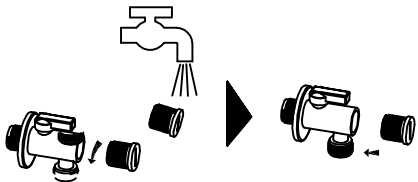
1. When leaving the seat, the knob rotates clockwise to start the nozzle cleaning function.
2. After the nozzle extends automatically, please wipe it with a soft rag or a soft brush (neutral cleaning). Do not pull or push the spray bar inward, so as not to damage the spray bar or the motor.
3. After cleaning, short press the knob or rotate the knob clockwise again to automatically retract the spray bar.



3. Cleaning and filtering

※ It is recommended to clean the filter screen every four to six months. (The specific cleaning cycle depends on the water quality)

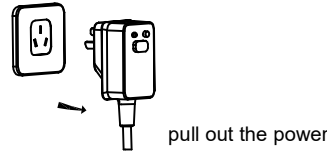
1. Unscrew the nut and remove the clean filter screen.
2. Install the filter screen and tighten the nut.



When not in use for a long time

Especially in winter, when you are away from home for a long time, please be sure to drain the water from the tank and pipes to prevent freezing.

1. Shut the inlet ball valve, pull out the power plug.

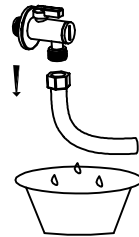


2. After connecting the external battery, press and hold the side button "Stop Key" to drain the water.



Note: The power must be cut off before draining the water inside the toilet.

3. Unscrew the water inlet hose and drain the water inside.



4. Close the toilet lid
- ※ For safety reasons, it is recommended to pour antifreeze into the standing water in the toilet.


※ Warm Tip: When you use the toilet again, please be sure to turn on the water and electricity again.

Technical specifications

Mainframe	Rated voltage	110V/50Hz
	Rated power	105W (Flushing cycle) Seat ring heating process starts flushing, average power of flushing process)
	whole machine waterproof	IPX4
	Power cord	Length about 1.6 meters
Toilet seat	Discharge water volume (gallon)	1.27 gal / 0.87 gal
	Flushing method	Jet siphon
	Outer diameter of discharge port	≤100mm
	Water pressure range	0.1MPa--0.8MPa
Cleaning device	mode of heating	Instant heating type
	heating power	1550W
	Warm water temperature	6-speed adjustment
	Cleaning flow	4-speed adjustment
	Cleaning mode	Hip washing/mobile cleaning, women washing/mobile cleaning, massage cleaning, hot and cold cleaning, automatic cleaning.
	Spray washing position	4-speed adjustment
	Hydraulic pressure protection	Pressure stabilizing device, automatic pressure relief device
	Antifouling device	Nozzle automatic cleaning device and filter device
	security apparatus	Temperature fuse, water temperature sensor, grounding protection, temperature controller, over-temperature protection and leakage protection plug.
Drying device	Wind temperature	6-speed adjustment
	heating power	300W
	security apparatus	Temperature fuse, thermostat, leakage protection plug
Seat ring insulation	surface temperature	6-speed adjustment
	heating power	45W
	Cryogenic burns prevention	After using for a period of time, the seat temperature will automatically and slowly drop to a low level.
	security apparatus	Landing sensor, temperature sensor, temperature fuse, thermostat, leakage protection plug
Intimate setting	Night light setting	Always off, always on
	Automatic flushing function	Can realize the function of flushing the toilet after defecation.
	Power-off flushing function	In case of power failure, flush by manually flushing the button on the side.
	Foot sensing function	The automatic flip function can be realized.
	Flip function	The function of splash prevention and odor isolation can be realized.
Antibacterial site		race
Product execution standard		GB 4706.1-2005、GB 4706.53-2008 GB/T6952-2015、GB 38448-2019

This product meets the cleanliness rate requirements in the GB/T23131-2019 standard. The best cleaning rate test method for this product: adjust the position of the spray rod to the front, adjust the water pressure gear to the maximum gear, and turn on the mobile cleaning function at the same time.

Common fault diagnosis and troubleshooting

Phenomenon	reason	Processing
No water spraying	The water supply pipe is bent causing a blockage	Exclude the water inlet hose from bending
	Angle valve closed	Open the angle valve
	Water supply cut off	Waiting for water to come
Weak water spraying intensity	The inlet pipe is partially blocked due to bending	Eliminate bending of inlet hose
	Angle valve is not fully opened	Fully open the angle valve
	The inlet screen is blocked	Cleaning the water inlet screen
Water is not hot	The water temperature is set to normal temperature	Reset the water temperature gear
Seat temperature is not hot	Seat temperature setting for room temperature setting	Reset the seat temperature gear
	In standby or power-saving mode	Switch to functional mode 3 minutes before use
The wind temperature is not hot	The air temperature is set at normal temperature	Reset the air temperature gear
No wind	In standby mode	Switch to function mode and use the heating function
Spray bar does not retract	cut off power	Push the spray bar back gently and wait for the call
	Be stuck by a foreign body	Remove foreign bodies
Remove foreign bodies	cut off power	Waiting for an incoming call
	Unsettled sensor	Sit upright and sit in the sensing area
Remote control failure	The positive and negative terminals of the remote control battery are reversed	Reinstall the battery and align it with the positive and negative poles
	The battery of the remote controller is low	Replace a new battery
Deodorization function is not working properly	The user did not touch the sensor on the seat ring	Adjust to touch the sensor on the seat ring
	After leaving the seat ring, the deodorizing function continues to work	After the user leaves the seat ring, the deodorization function will continue to work for a period of time to eliminate the odor, which is normal
 Note	If the fault still cannot be eliminated after the above treatment, the power supply should be cut off, and the service provider should be contacted to have a professional repair it.	
	If the residual current device frequently trips, it indicates that there is a leakage in the product. Please cut off the power supply and contact the service provider to have it by a professional.	

RoHS directive table

Part name	Harmful substances					
	Lead(Pb)	Mercury (Hg)	Cadmium (Cd)	Hexavalent chromium (Cr(vi))	Polybrominated Biphenyls (PBBs)	Polybrominated diphenyl ethers (PBDE)
Power cord	x	0	0	0	0	0
Circuit board	x	0	0	0	0	0
Seat occupancy sensor	x	0	0	0	0	0
Temperature sensor	x	0	0	0	0	0
Temperature protector	0	0	x	0	0	0
grounding plate	x	0	0	0	0	0
Water inlet hose	x	0	0	0	0	0
Expansion bolt	x	0	0	0	0	0
Angle valve	x	0	0	0	0	0
Voltage regulator component	x	0	0	0	0	0
Motor components	x	0	0	0	0	0

0: indicates that the content of the harmful substance in all homogeneous materials of this part is below the limit requirements specified in GB/T 2657.
x: indicates that the content of the harmful substance in at least one homogeneous material of this part exceeds the limit requirements specified in GB/T 2657.

Energy and water efficiency grade description

The energy and water efficiency grades of our company's smart toilet products meet the requirements of GB38448 "Energy and Water Efficiency Limits andes for Smart Toilets",

The energy and water efficiency grade indicators for smart toilets are as follows:

Energy and water efficiency grade of smart toilet seat			Level 1	Level 2	Level 3
Energy efficiency grade index	Unit cycle energy consumption/(kw-h)	With seat warming function	≤0.030	≤0.040	≤0.060
		Without seat heating function	≤0.010	≤0.020	≤0.030
Water efficiency grade index	Average water consumption for smart toilet cleaning / L		≤0.30	≤0.50	≤0.70
	Average water consumption for smart toilet flush / L		≤3.8	≤4.6	≤5.4
	Dual-flush smart toilet flush full water consumption / L		≤4.8	≤6.0	≤6.8

Note 1: "*" applies to integrated smart toilets.

Note 2: The average water consumption of a half flush of a dual-flush smart toilet each water efficiency grade shall not exceed 70% of its maximum allowable full flush water consumption.

(Note: The energy and water efficiency grades of the product you purchased are based on the energy and water efficiency grades marked on the product or packaging.)

Product Warranty Card

Thank you for purchasing our company's products. In order to protect your rights, our company guarantees the following:

Please contact the place of purchase or our company's after-sales service if you find any quality issues with the product.

Product name	Smart toilet	Product model	
Purchase Date		Serial number	
Customer name		Warranty period	
Contact address			
Repair records	Faults and handling situations	Maintenance date	Maintenance personnel

User retention link

Product guarantee related matters

*Please fill in the content in the product guarantee book carefully and keep it properly when purchasing this product.

*During the warranty period, if there is fault mentioned in the instructions for use, precautions, labels, etc., which occurs under normal use, our company will repair it for you free of charge.

*For the that occur within the warranty period and belong to the scope of paid maintenance services, maintenance fees will be charged as appropriate. Water tank accessories do not implement GB/T695 and GB/T26730 standards.

*The area where the toilet is installed should be equipped with a floor drain.

Paid repair service

*Damage and failure due to improper use or misuse after installation.

*Failure due to unauthorized disassembly or modification.

*Damage and failure to fire, typhoon, flood, earthquake, lightning and other natural calamities and abnormal voltage.

*Moving installation as per the customer's request.

Consumable items have reached the end of their service life. (e.g. bubble liquid, spare battery, etc.)

*The product has been repaired by nonauthorized technicians.

*Damage and failure caused by use in places other than general households (e.g. public places).

Please fill in the warranty card information completely, tear off the "User Receipt Coupon" and send it back to the company, otherwise you will not enjoy the warranty!

User name		Contact phone	
Contact address			
Buy a shop		Purchase Date	
Product model		Satisfaction	<input type="checkbox"/> Satisfied <input type="checkbox"/> Average <input type="checkbox"/> Dissatisfied
Serial number		Customer signature	

Customer receipt coupon