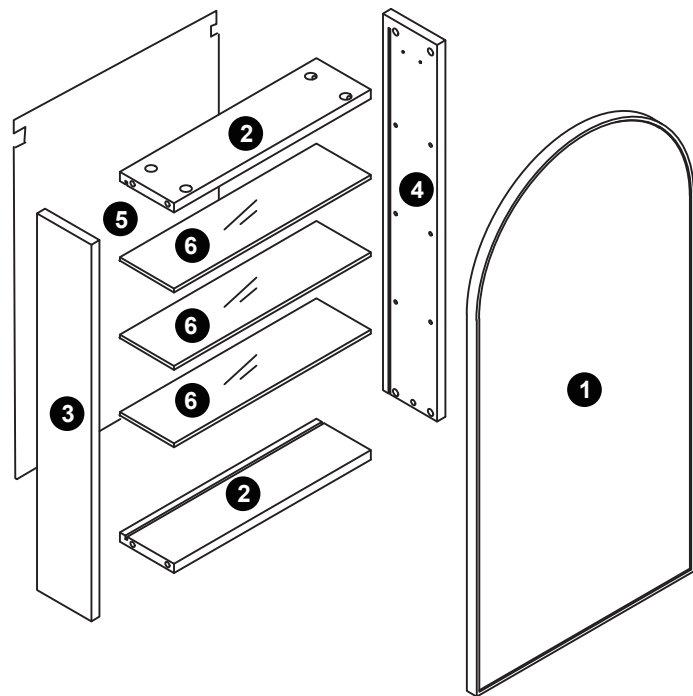
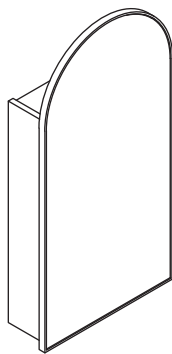


Part List

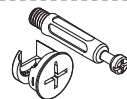


Open the package, and put the item on the mat with care. Please install it carefully to ensure your fingers will not be scratched.



Hardware List

A



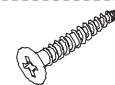
× (8+2)

C



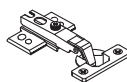
×16

D



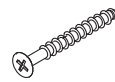
×4

E



×2

F



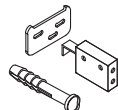
×4

G



×12

H



×2

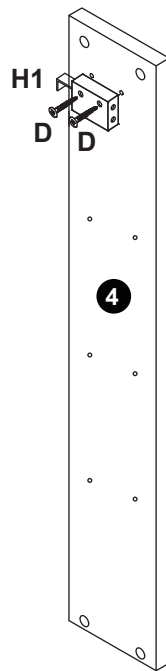
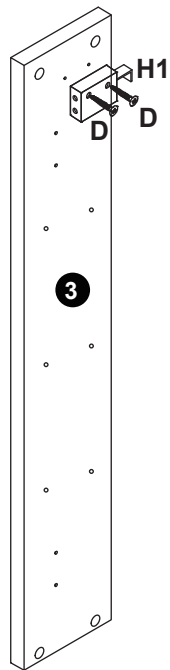
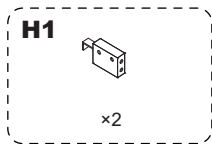
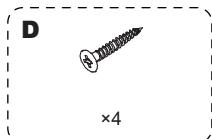
L



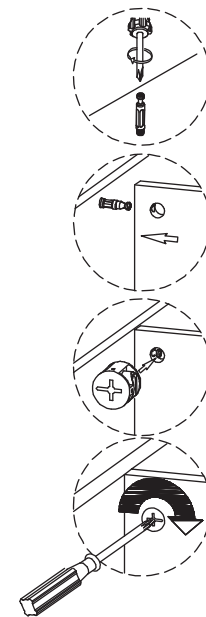
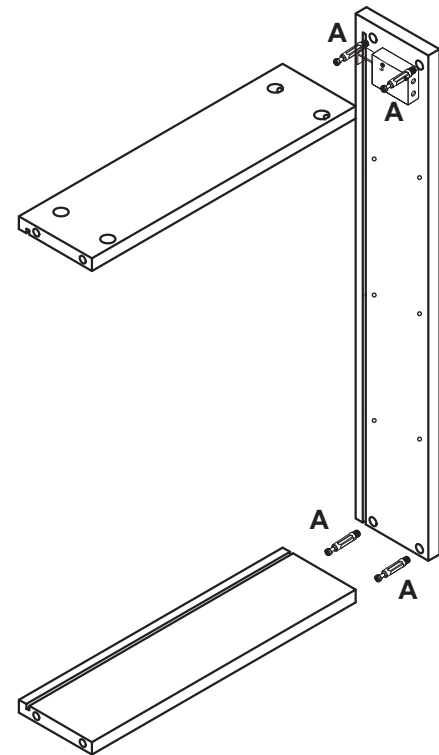
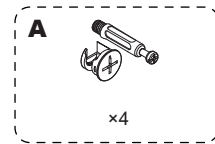
×4

Start...

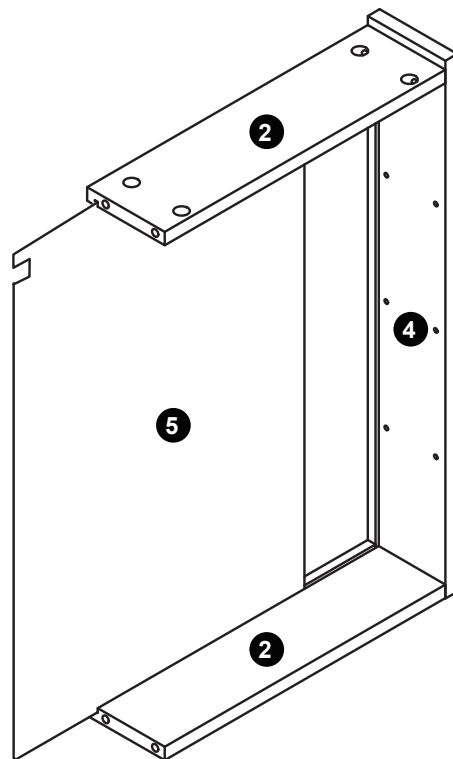
| Step1



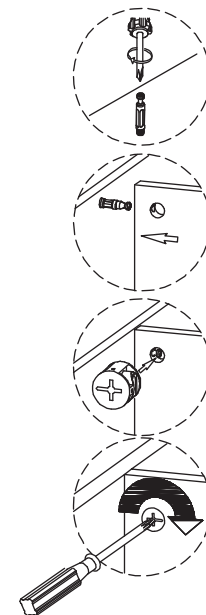
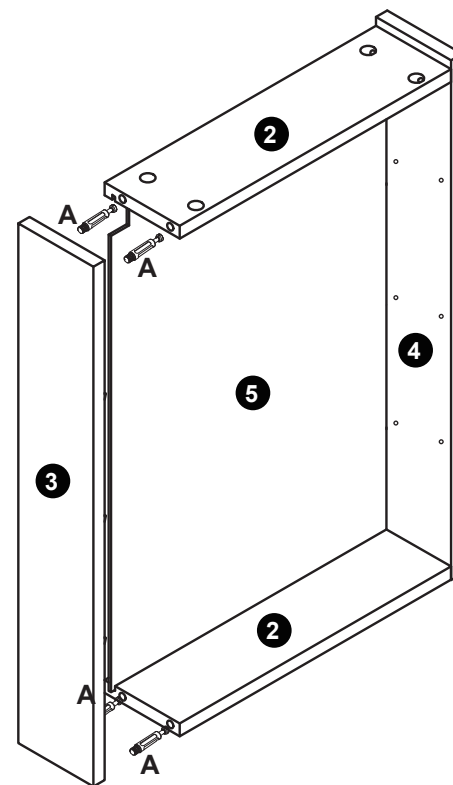
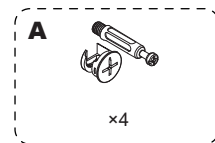
| Step2



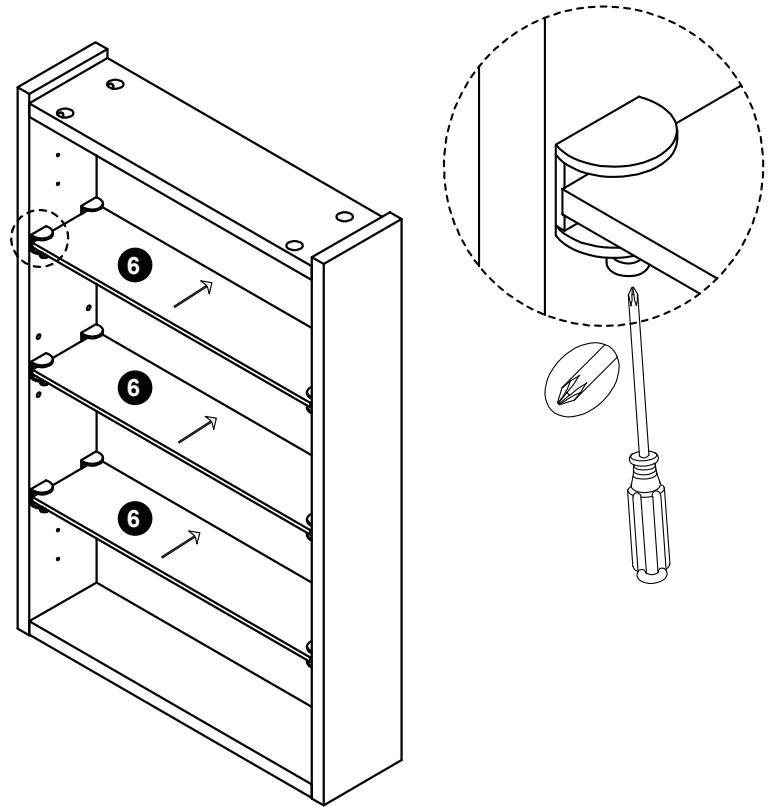
| Step3



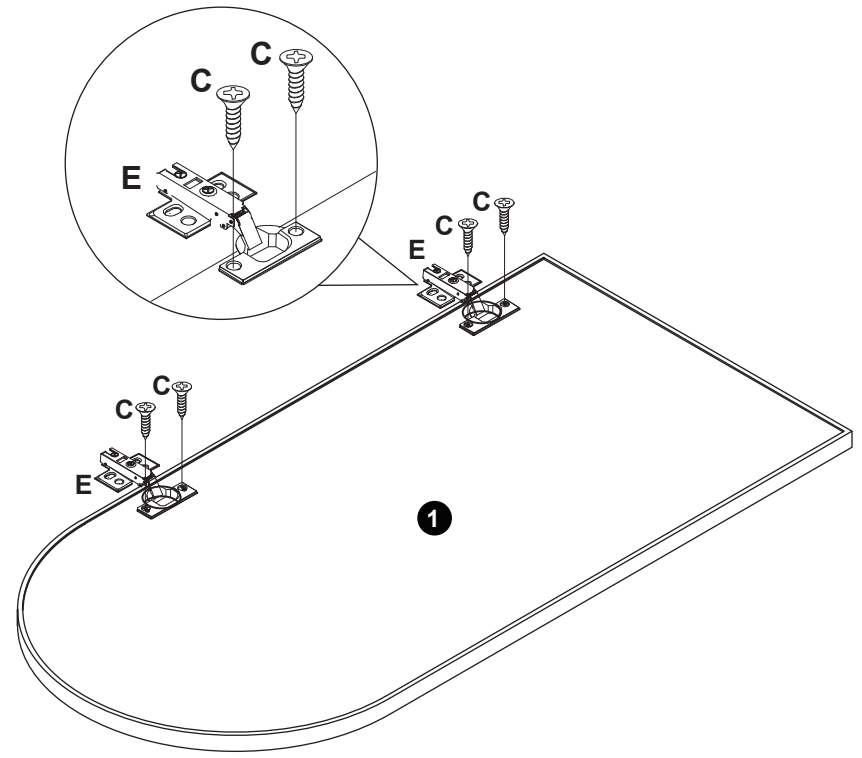
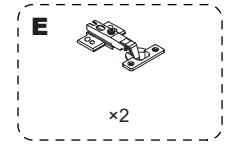
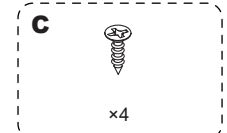
| Step4



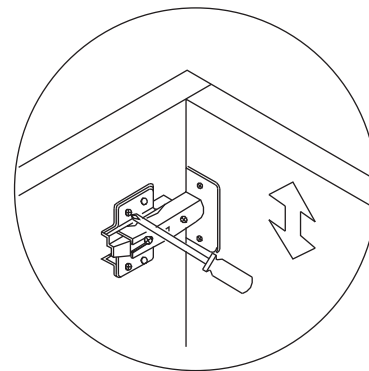
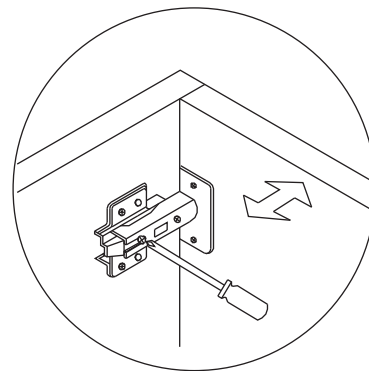
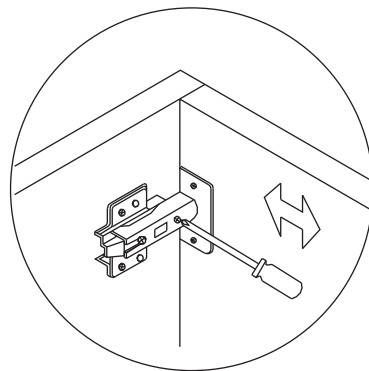
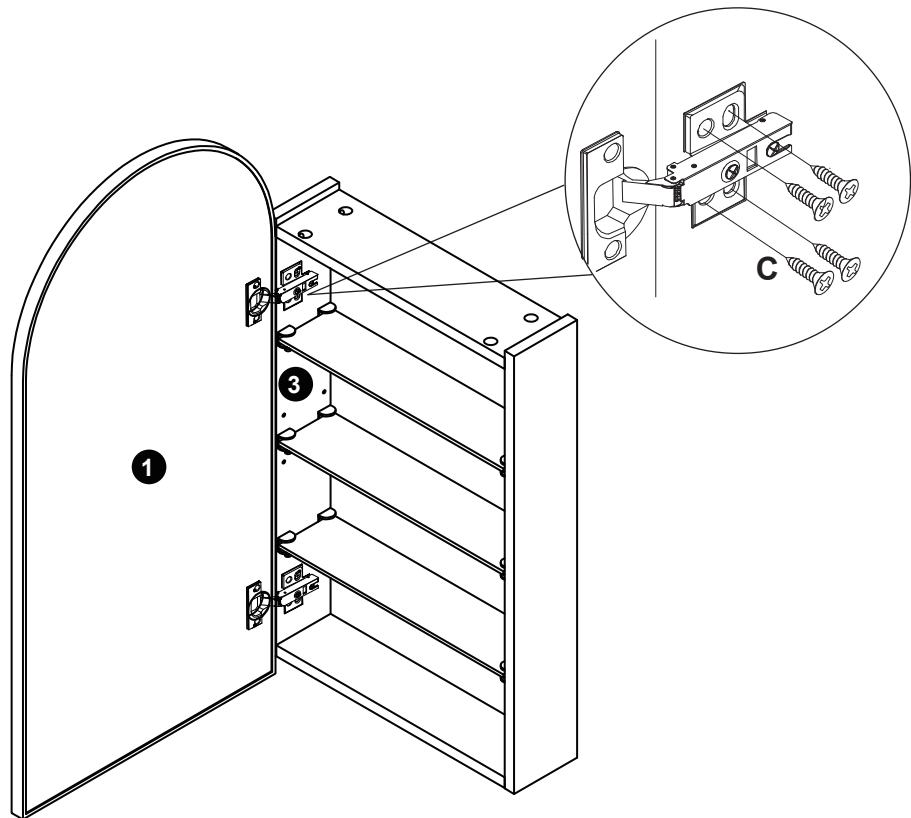
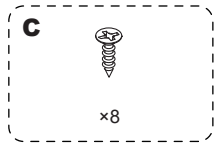
| Step5



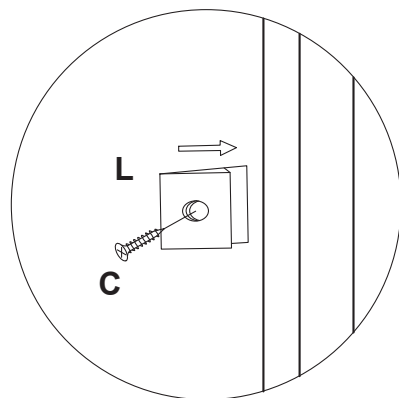
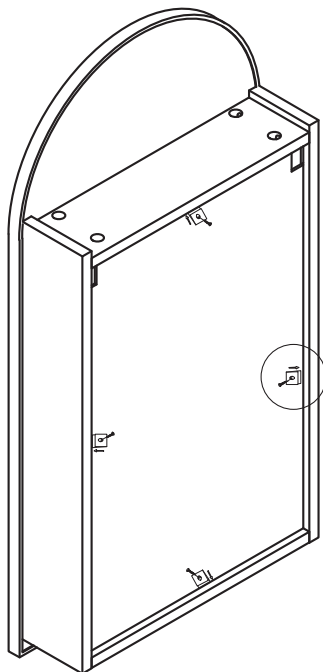
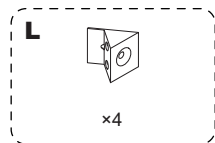
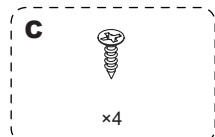
| Step6



| Step 7



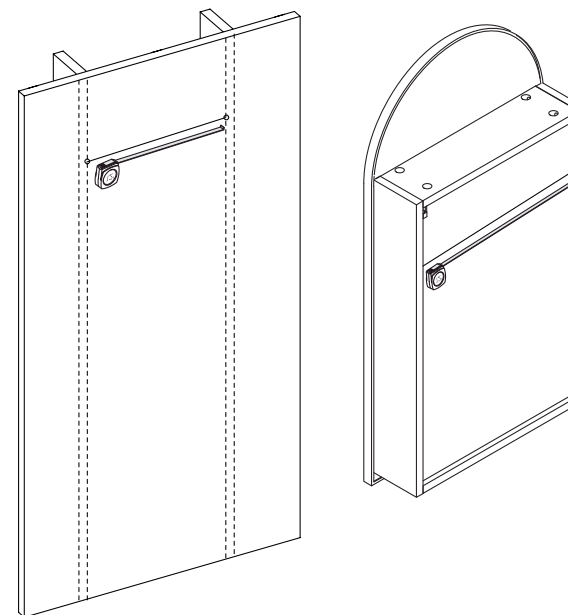
| Step8



Wall Mounting

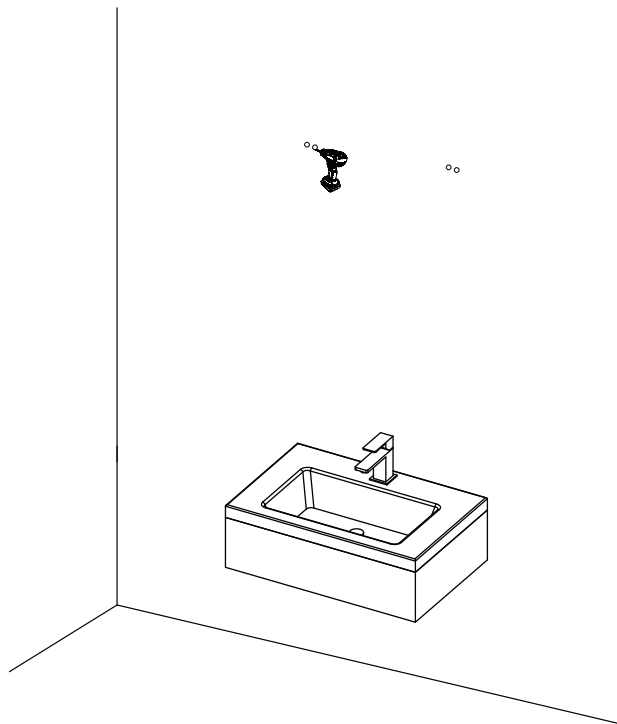
| Step1

Mark the mounting holes on the wall.



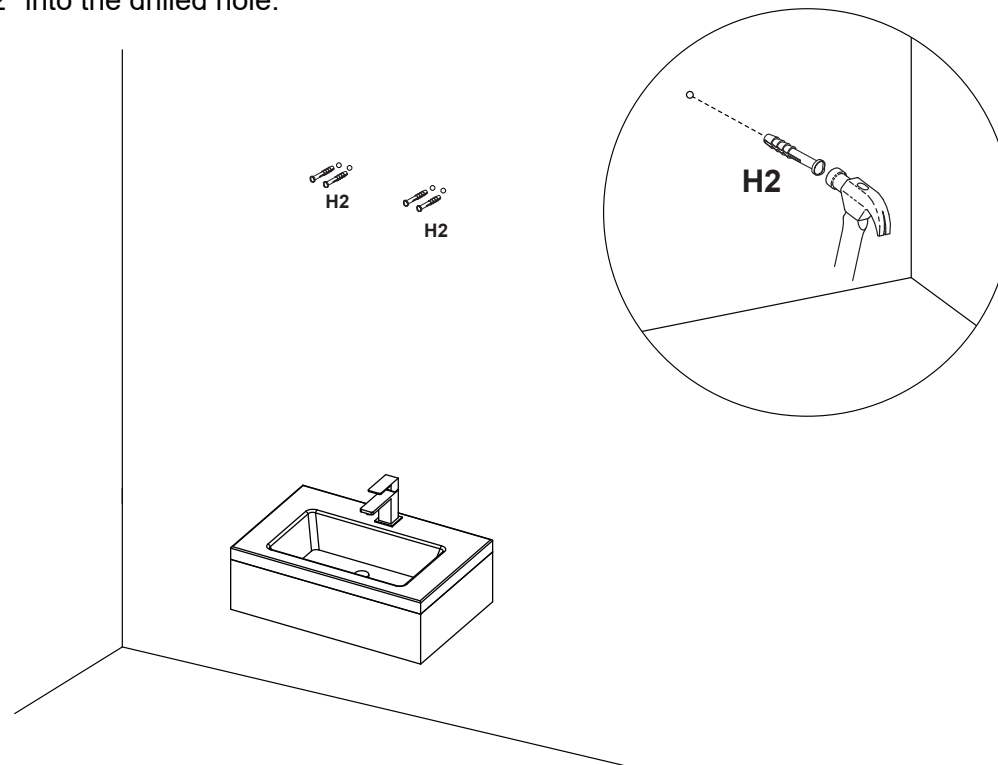
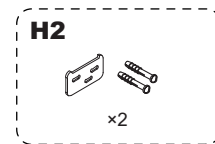
| Step2

Drill holes in marked places.



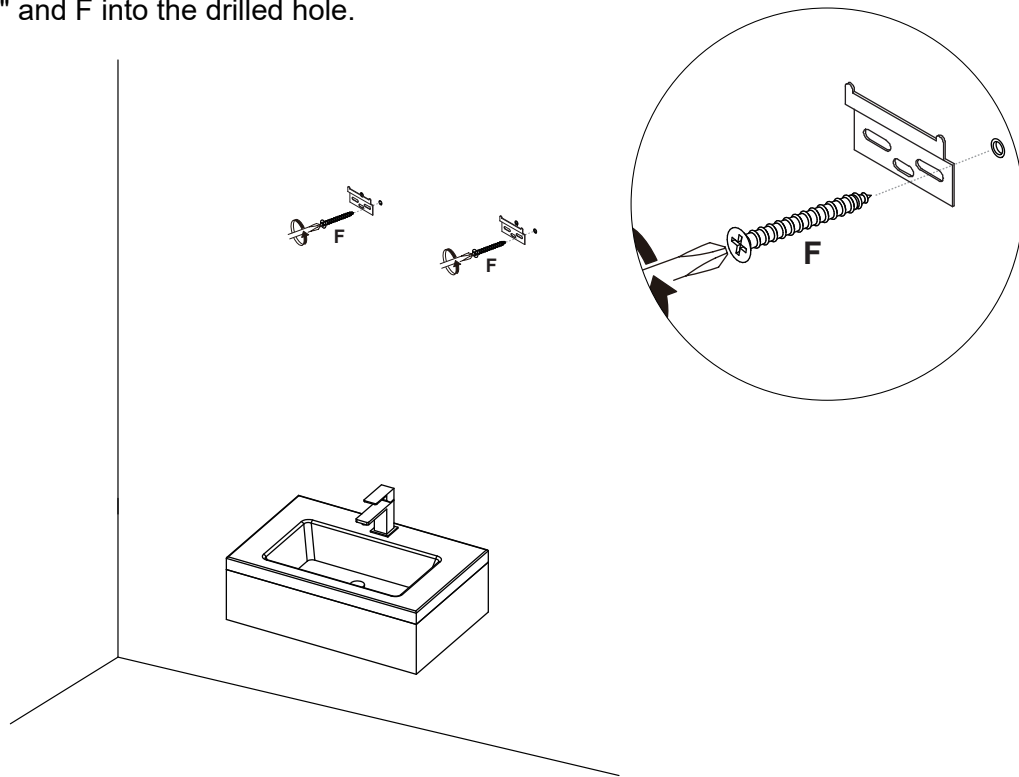
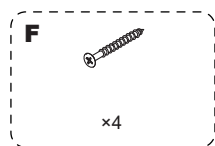
| Step3

Hammer the "H2" into the drilled hole.



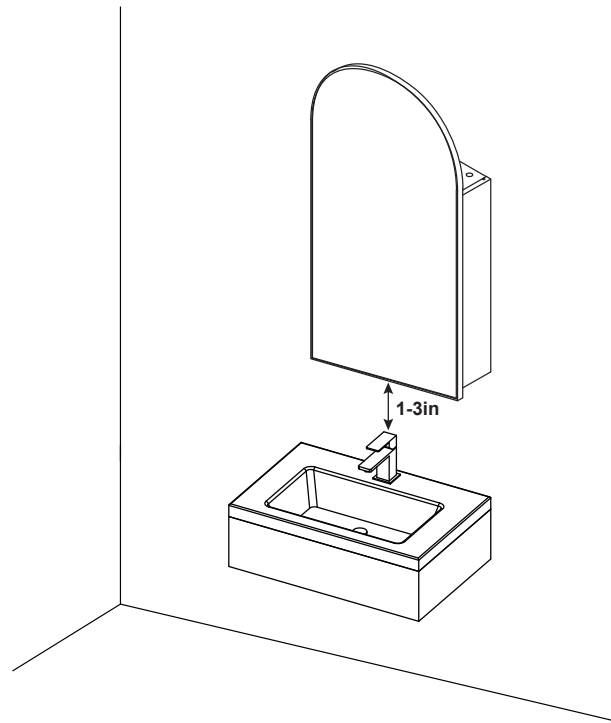
| Step4

Hammer the "H2" and F into the drilled hole.



| Step5

Hang the medicine cabinet on the wall.



⚠ If the cabinet does not fit the wall after the hanger is installed, adjust the two cross screws on the back of the hanger. please refer to last page details.

