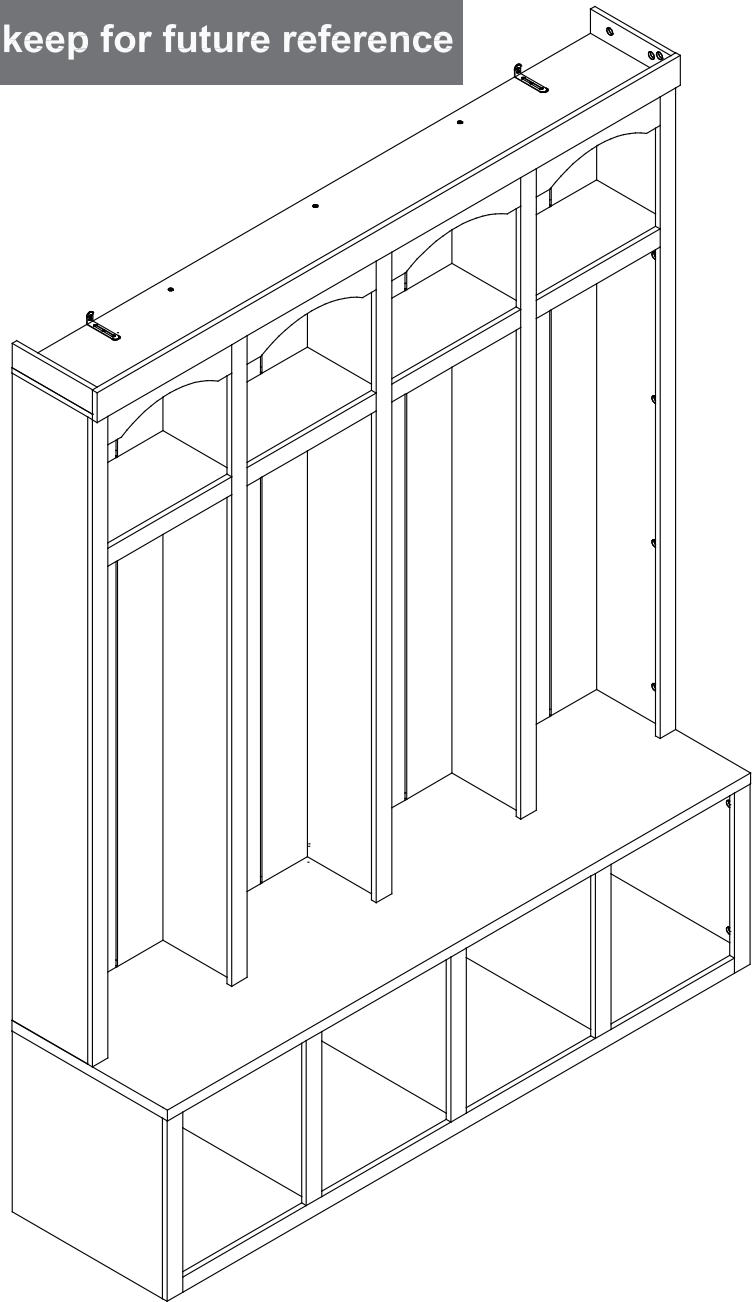


Hall Tree

Assembly Instructions - Please keep for future reference



Dimensions

Width- 59.05inch

Depth-15.75inch

Height-77.2inch



WARNING



This product is NOT a Clothing Storage Unit (CSU).
DO NOT use it for clothing storage.
Improper use may cause furniture tipover.

Important – Please read these instructions fully before starting assembly



Safety and Care Advice

Important – Please read these instructions fully before starting assembly

- Check you have all the components and tools listed on the following pages.
- Remove all fittings from the plastic bags and separate them into their groups.
- Keep children and animals away from the work area, small parts could choke if swallowed.
- Make sure you have enough space to layout the parts before starting.

- During assembly do not stand or put weight on the product, this could cause damage.
- Assemble the item as close to its final position (in the same room) as possible.
- Assemble on a soft level surface to avoid damaging the unit or your floor.
- Parts of the assembly will be easier with 2 people.



power drill is set on a low torque setting.

- To reduce the likelihood of damaging your product please ensure that your

Care and maintenance

- Only clean using a damp cloth and mild detergent, do not use bleach or abrasive cleaners.
- From time to time check that there are no loose screws on this unit.
- This product should not be discarded with household waste. Take to your local authority waste disposal centre.

Handy Hints

- Assemble all parts and bolts loosely during assembly, only once the product is complete should you fully tighten the bolts
- Regularly check and ensure That all bolts and fittings are tightend properly.

WARNING
In order to help prevent overturning – please follow these instructions

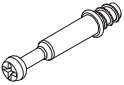


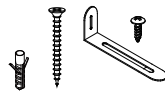

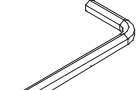
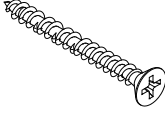
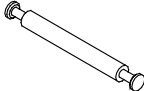


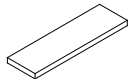
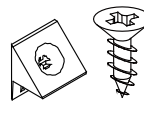
To help prevent product toppling over please follow the below steps:-

- Use the anti tip stap or wall fixing method provided (if applicable)
- Do not allow children to climb or hang on the furniture
- Do not open more than one drawer at a time
- Do not place heavy items in the top drawers
- Do not place heavy items on top of the furniture, unless the furniture has been designed for this purpose

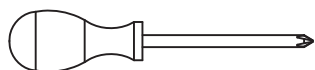
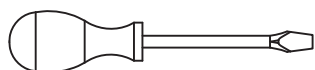
Components - Fittings

Please check you have all the panels listed below

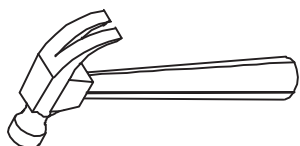
Note: The quantities below are the correct amount to complete the assembly. In some cases more fittings may be supplied than are required.

<p>(A) </p> <p>Cam Bolt x 103+2</p>	<p>(B) </p> <p>6*30mm Dowel x 102+2</p>	<p>(C) </p> <p>Cam lock x 127+2</p>	<p>(D) </p> <p>Anti-tipping Device x2</p>
<p>(E) </p> <p>Perfect fit x 50</p>	<p>(F) </p> <p>Allen key x 1</p>	<p>(G) </p> <p>4*50mm Screw x 10+1</p>	<p>(H) </p> <p>x 12set</p>
<p>(I) </p> <p>3*16mm Hook x 4set</p>	<p>(J) </p> <p>4*40mm Screw x 24+2</p>	<p>(K) </p> <p>Foot pad x10</p>	<p>(L) </p> <p>3.5*14mm Back panel clip x 30set</p>

Tools required Not Included



Phillips screwdriver
(medium & large)



Using Camlocks

Step 1

Connect the male camlock as directed in the assembly instructions using a screwdriver.

1

DO NOT OVER TIGHTEN.
NE PAS SERRER EXCESSIVEMENT.



Step 2

Push the male camlock into the entry hole.

2

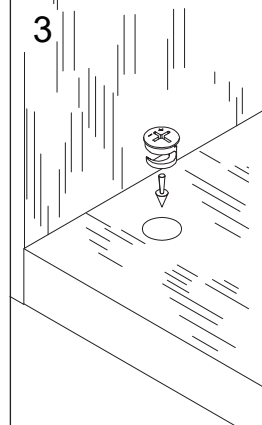


Step 3

Insert the female camlock as shown in the instruction.

Note: ensure that the arrow on the top of the camlock points towards the entry hole for the male camlock.

3



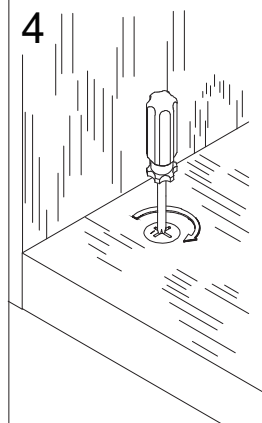
Step 4

Turn the female camlock clockwise with a screwdriver.

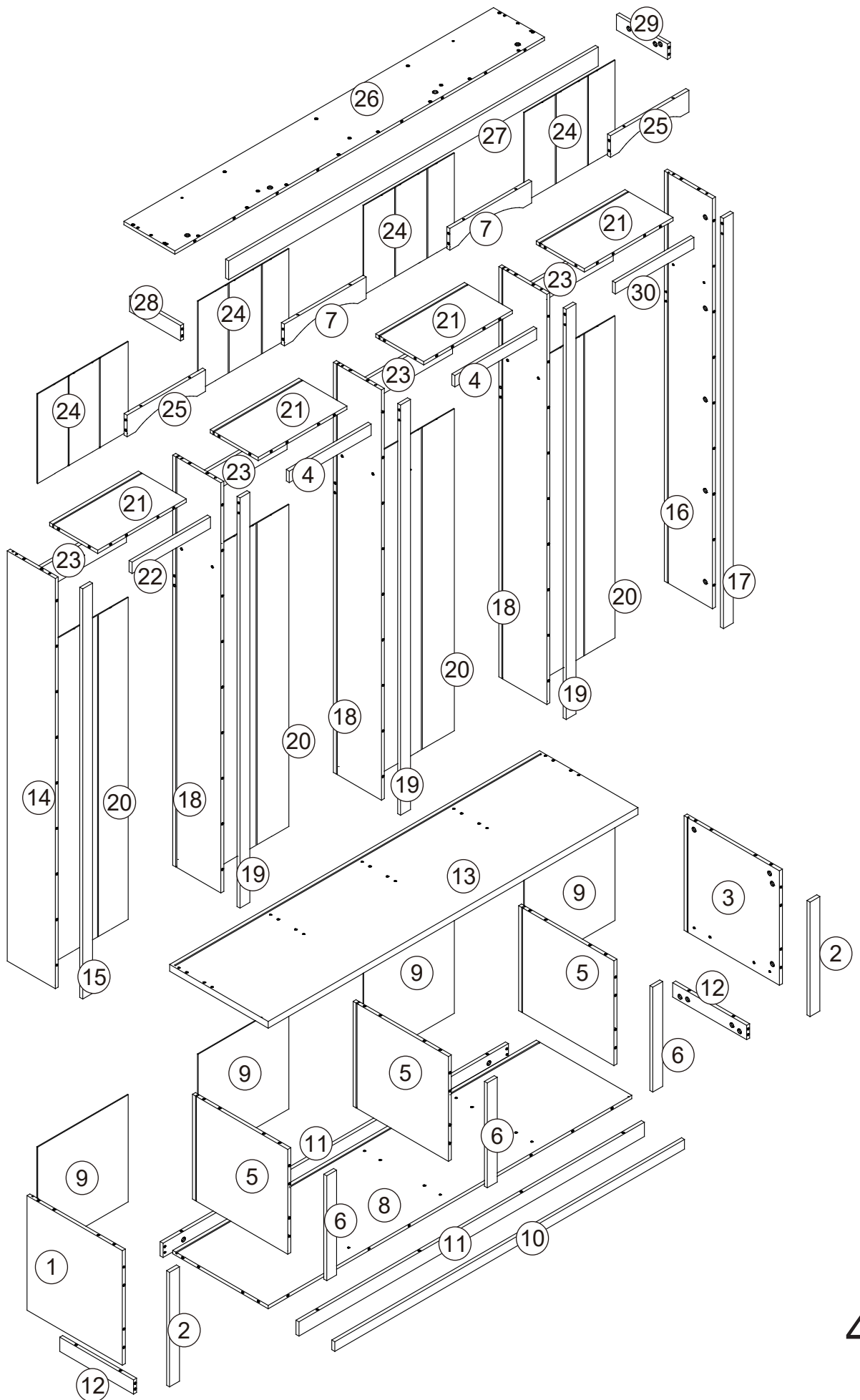
You should feel a click when the camlock is locked in place.

The joint is now secure.

4



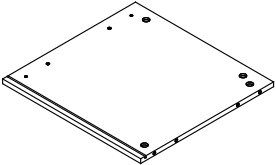
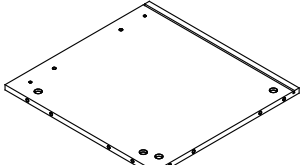
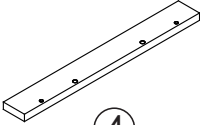
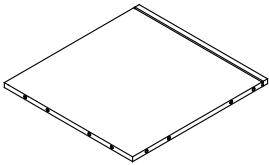
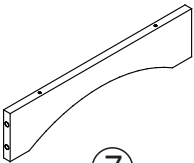
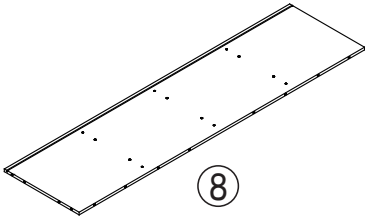
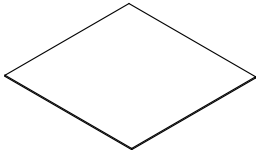
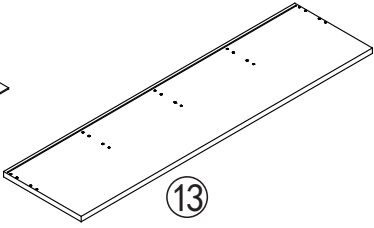
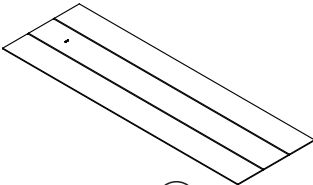
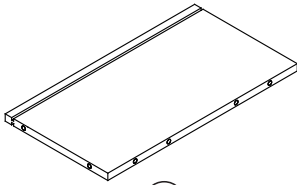
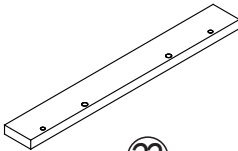
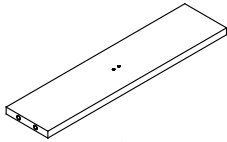
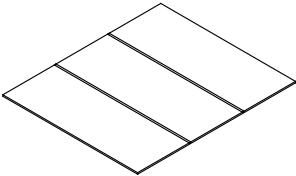
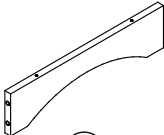
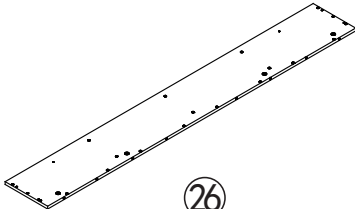
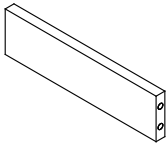
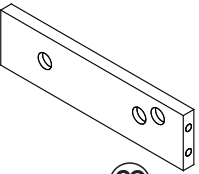
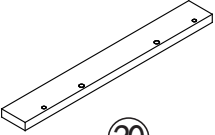

Assembly Instructions



PART LIST

This product comes in 2 box.

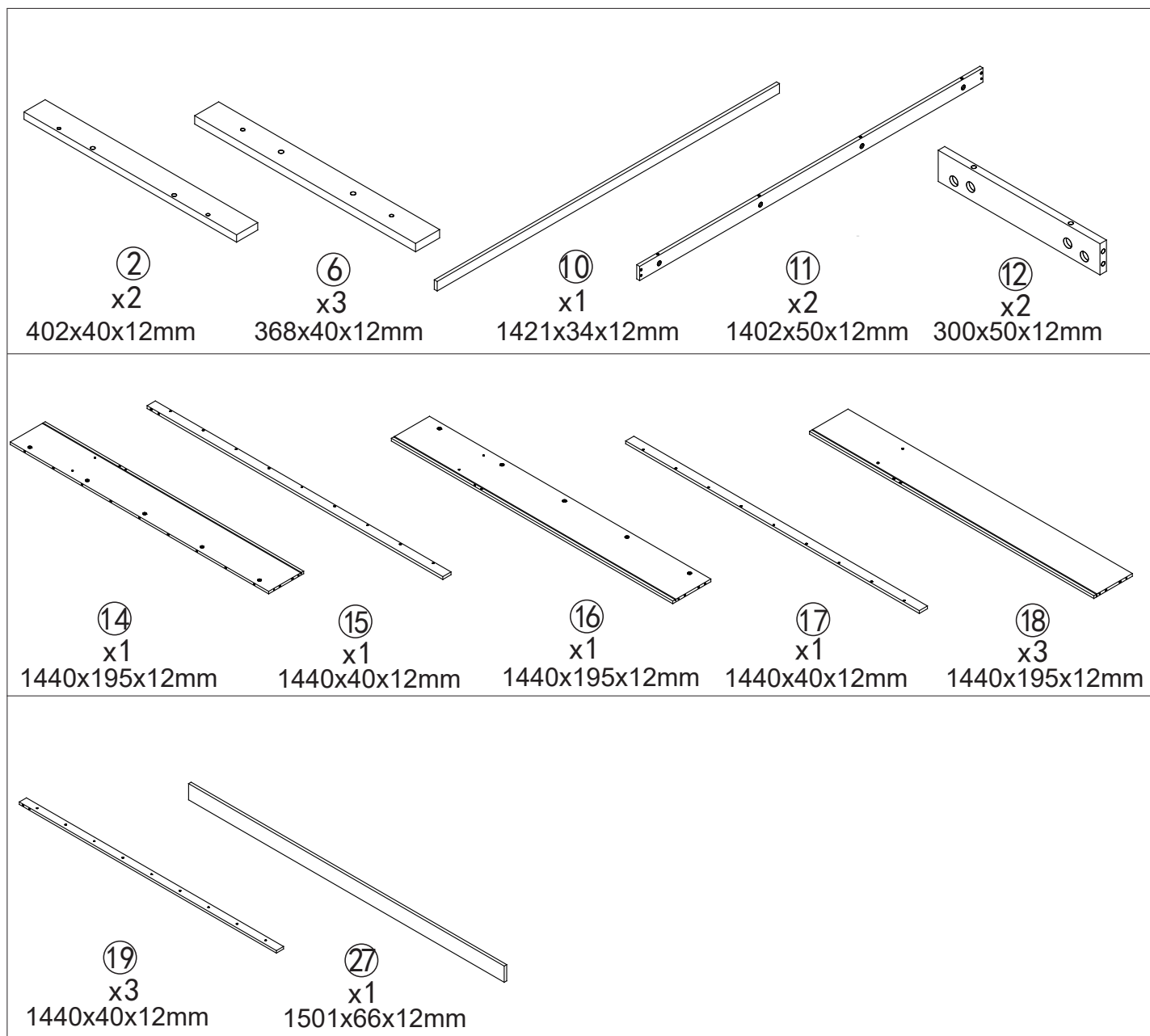
N893P446554

 ① x1 402x387x12mm	 ③ x1 402x387x12mm	 ④ x2 332x40x12mm	 ⑤ x3 368x387x12mm
 ⑦ x2 332x76x12mm	 ⑧ x1 1476x487x12mm	 ⑨ x4 376x367x3mm	 ⑬ x1 1502x400x24mm
 ⑳ x4 1129x367x3mm	 ㉑ x4 360x195x12mm	 ㉒ x1 318x40x12mm	 ㉓ x4 360x84x12mm
 ㉔ x4 313x367x3mm	 ㉕ x2 318x76x12mm	 ㉖ x1 1501x207x12mm	 ㉘ x1 207x54x12mm
 ㉙ x1 207x54x12mm	 ㉚ x1 318x40x12mm	 Hardware kit x1	

PART LIST

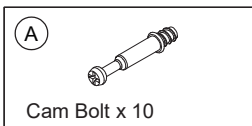
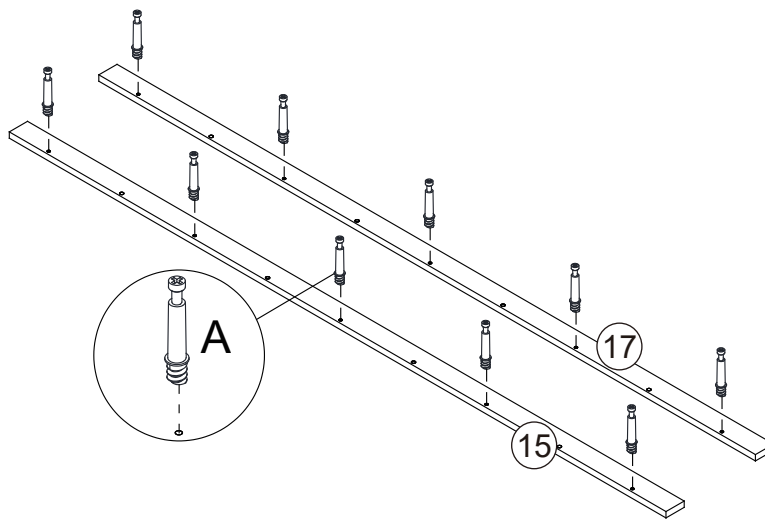
This product comes in 2 box.

N893P446555

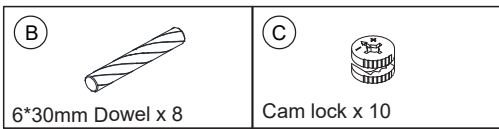
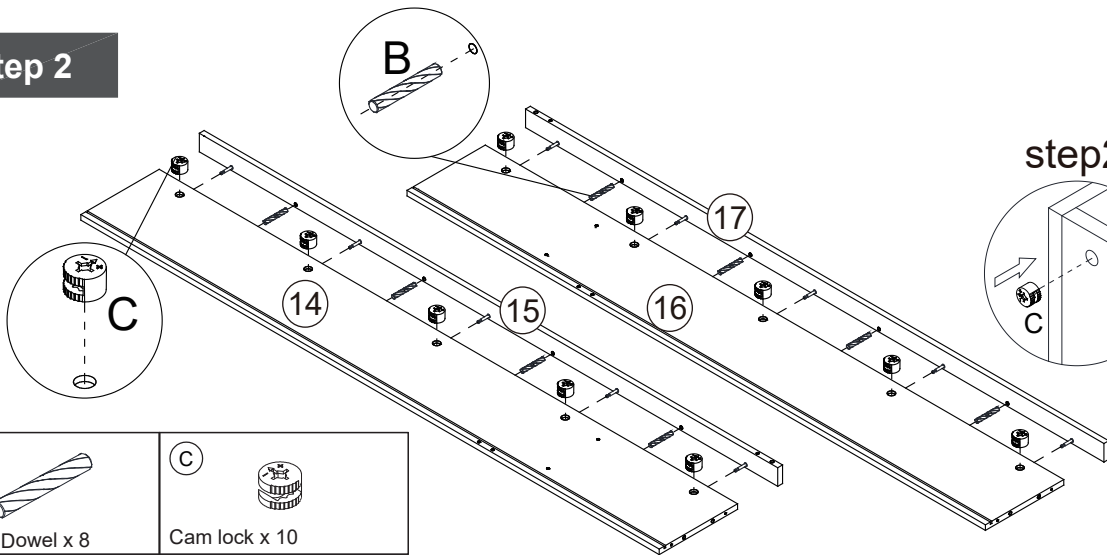


Assembly Instructions

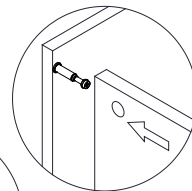
Step 1



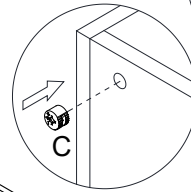
Step 2



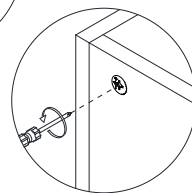
step1



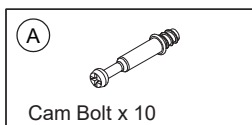
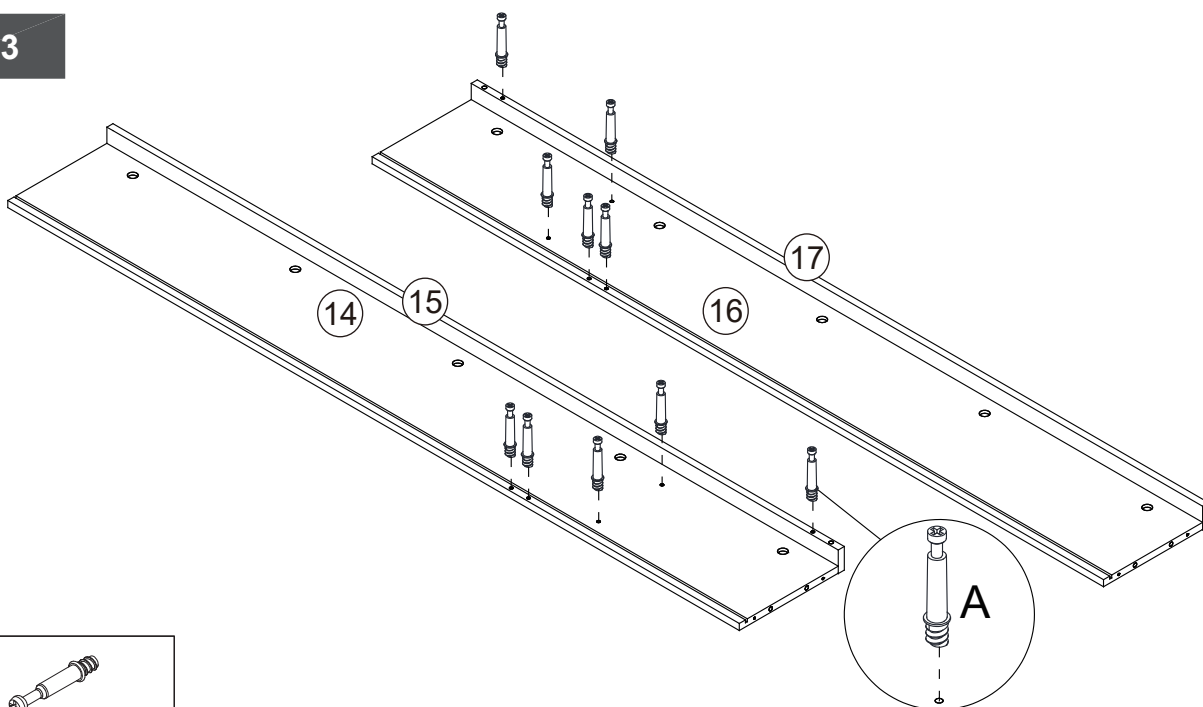
step2



step3



Step 3



Assembly Instructions

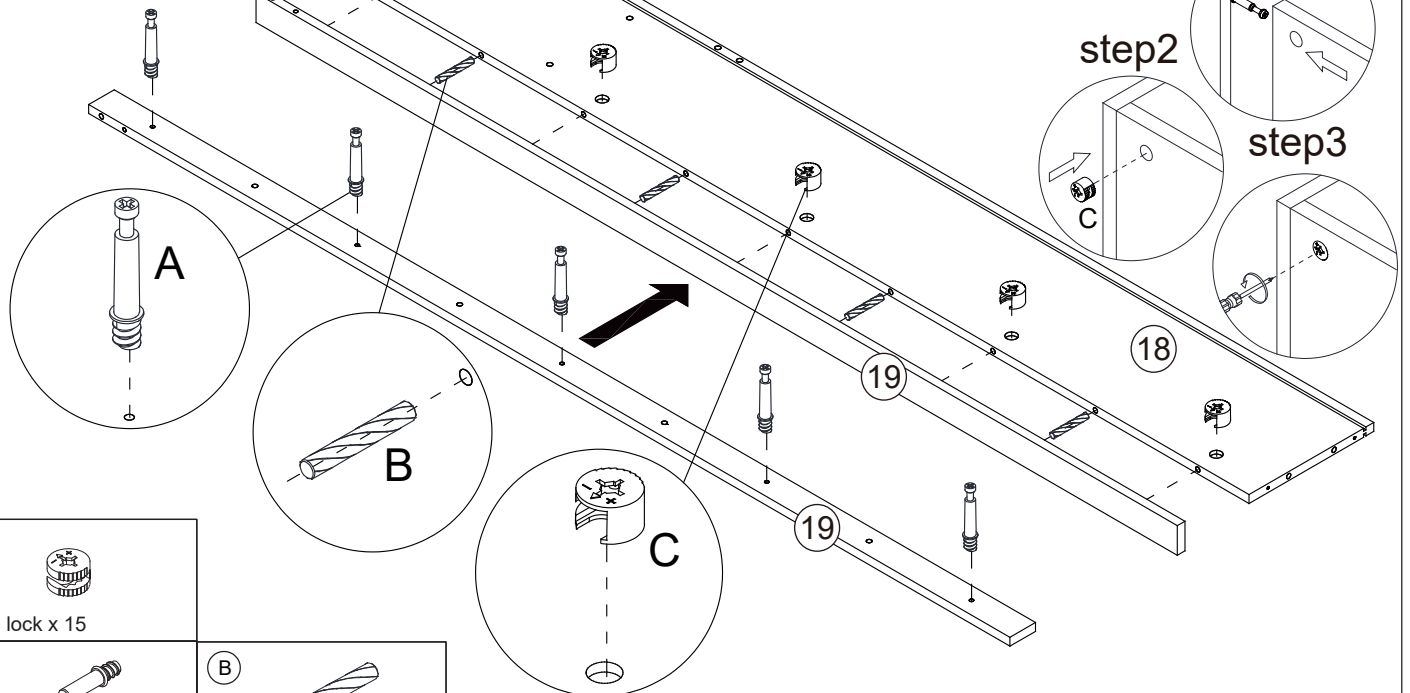
Step 4

x3

step1

step2

step3



C



Cam lock x 15

A



Cam Bolt x 15

B

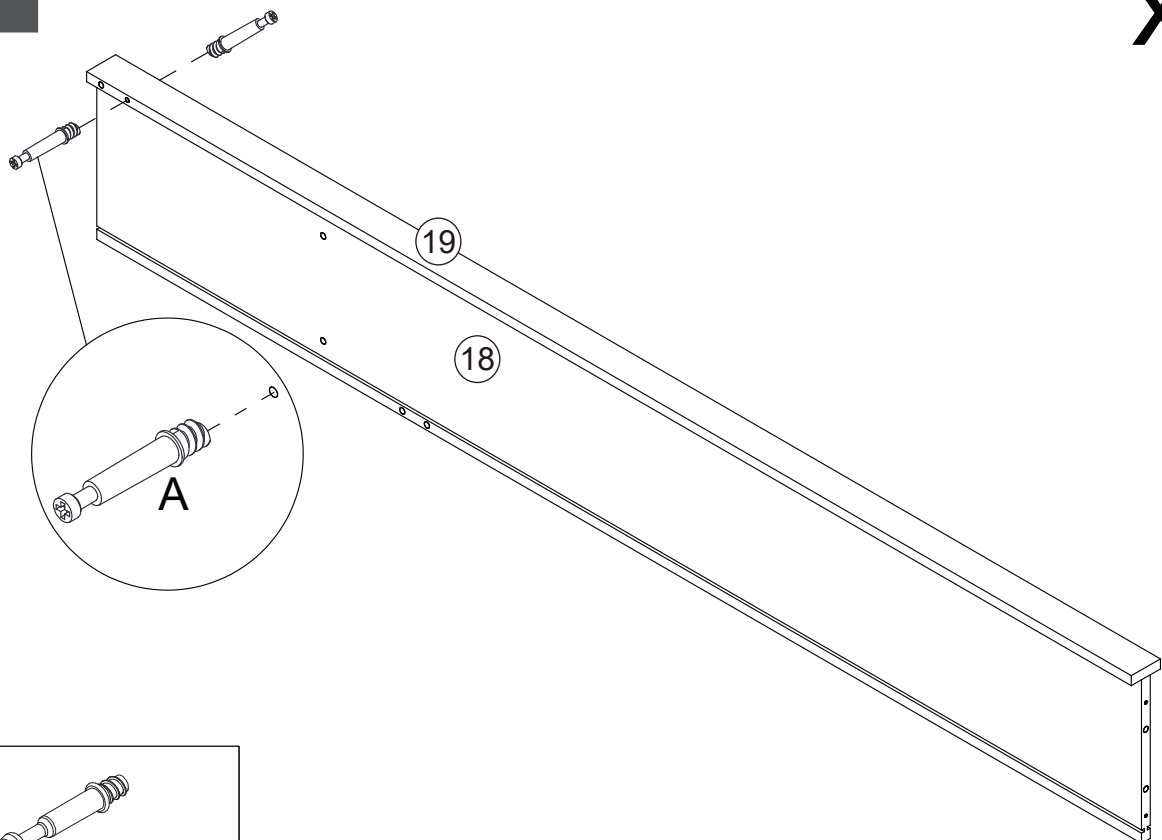


6*30mm Dowel x 12

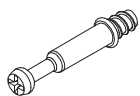


Step 5

x3



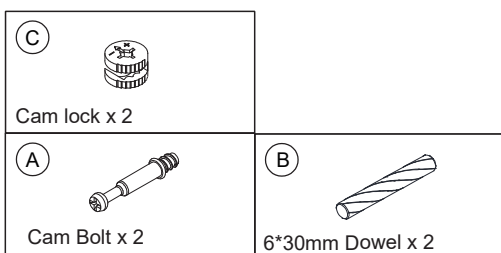
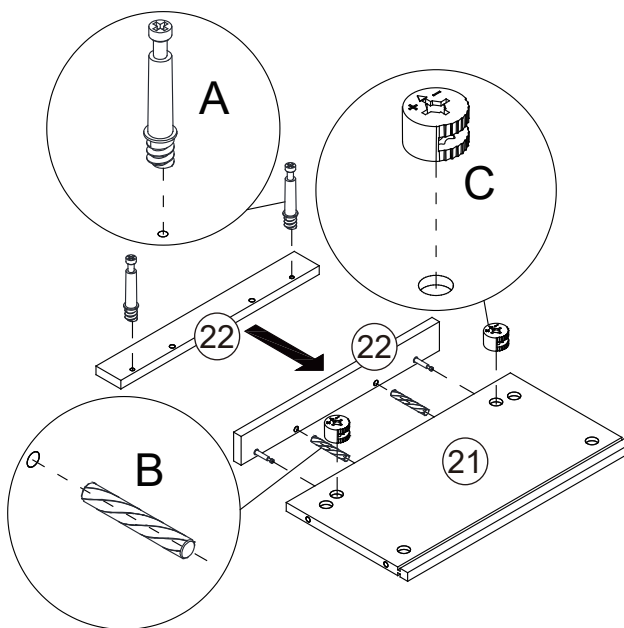
A



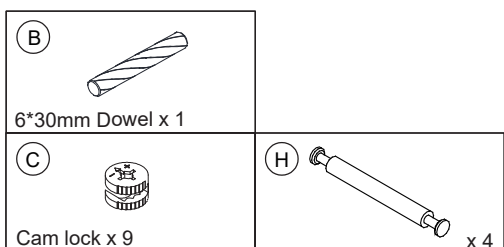
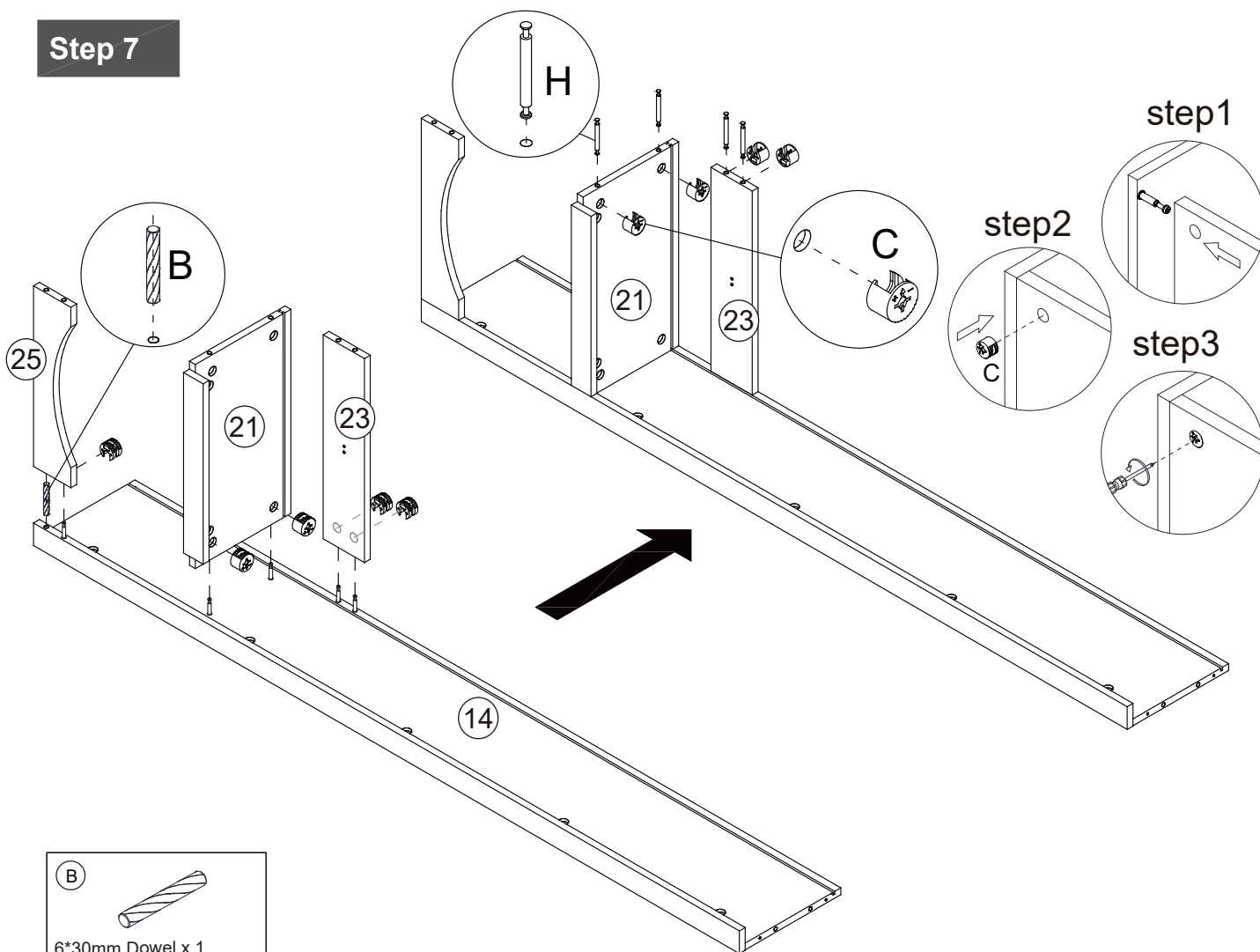
Cam Bolt x 6

Assembly Instructions

Step 6

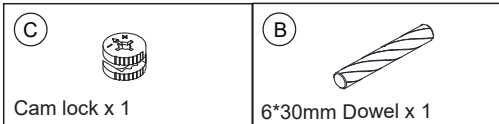
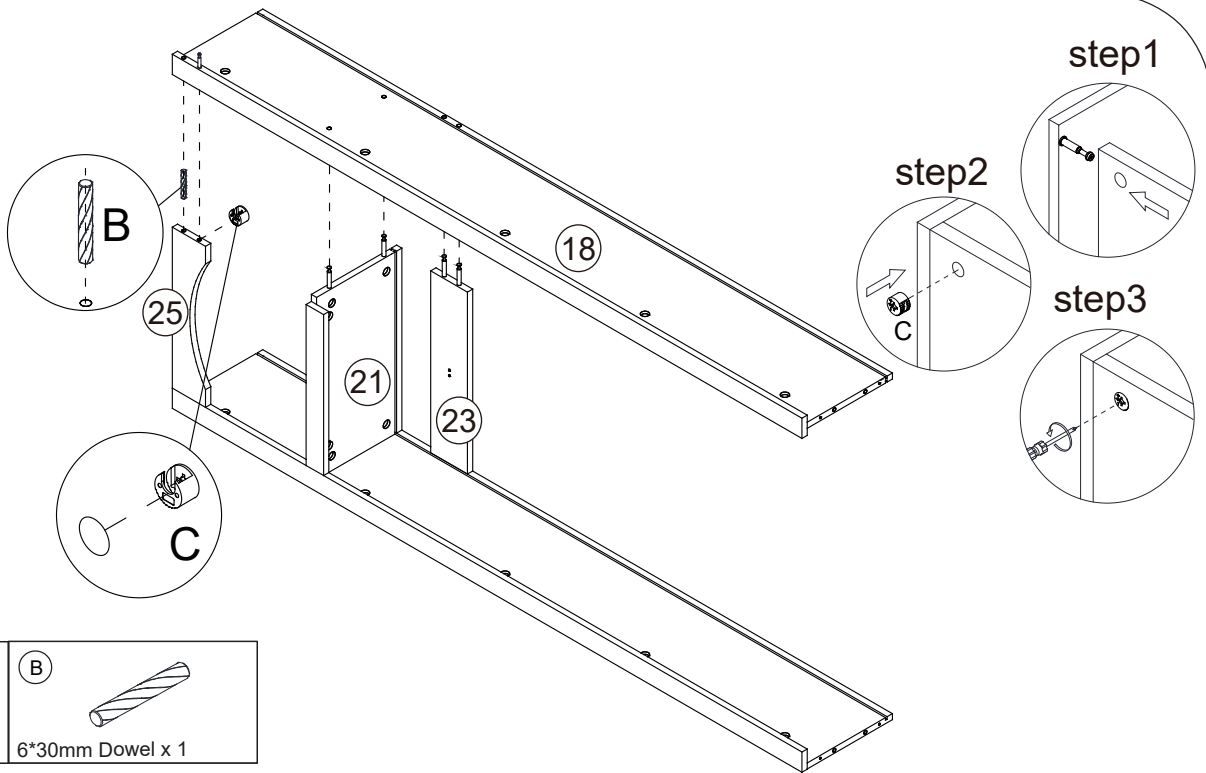


Step 7

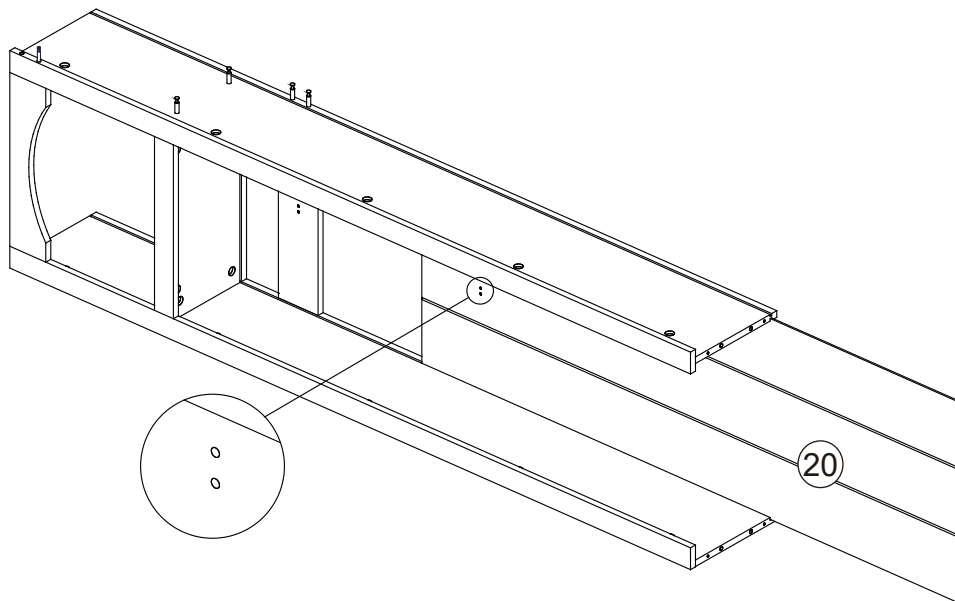


Assembly Instructions

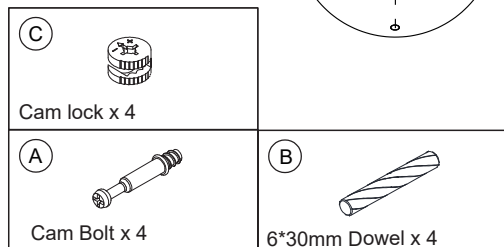
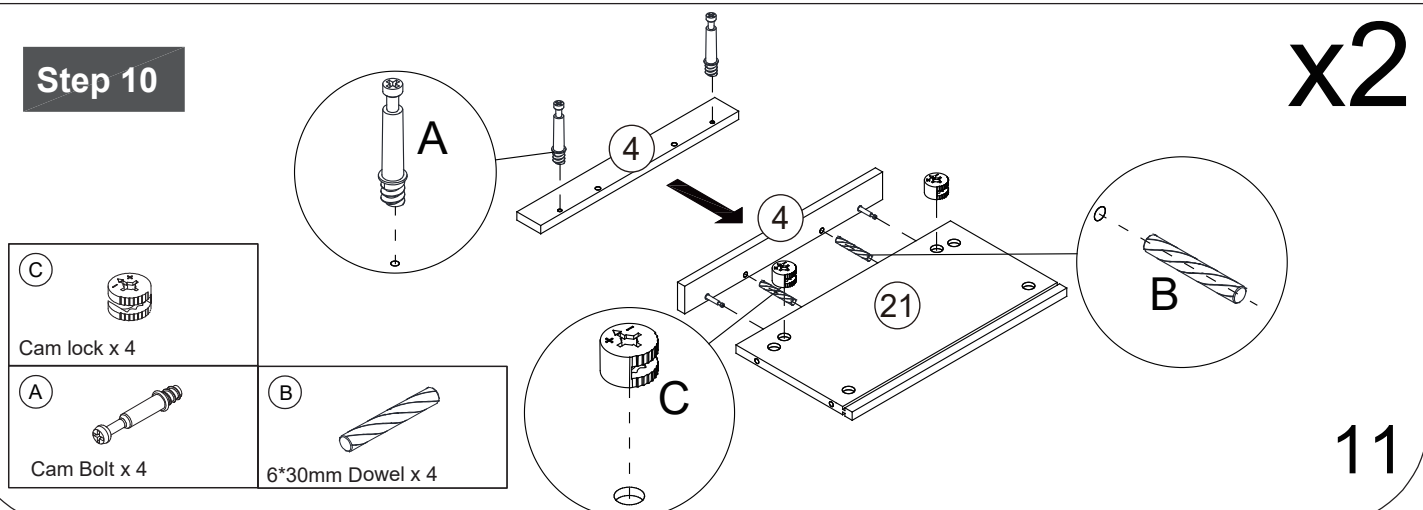
Step 8



Step 9

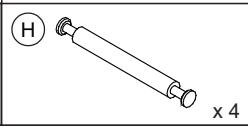
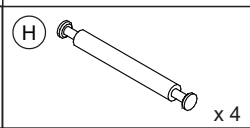
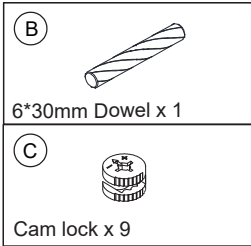
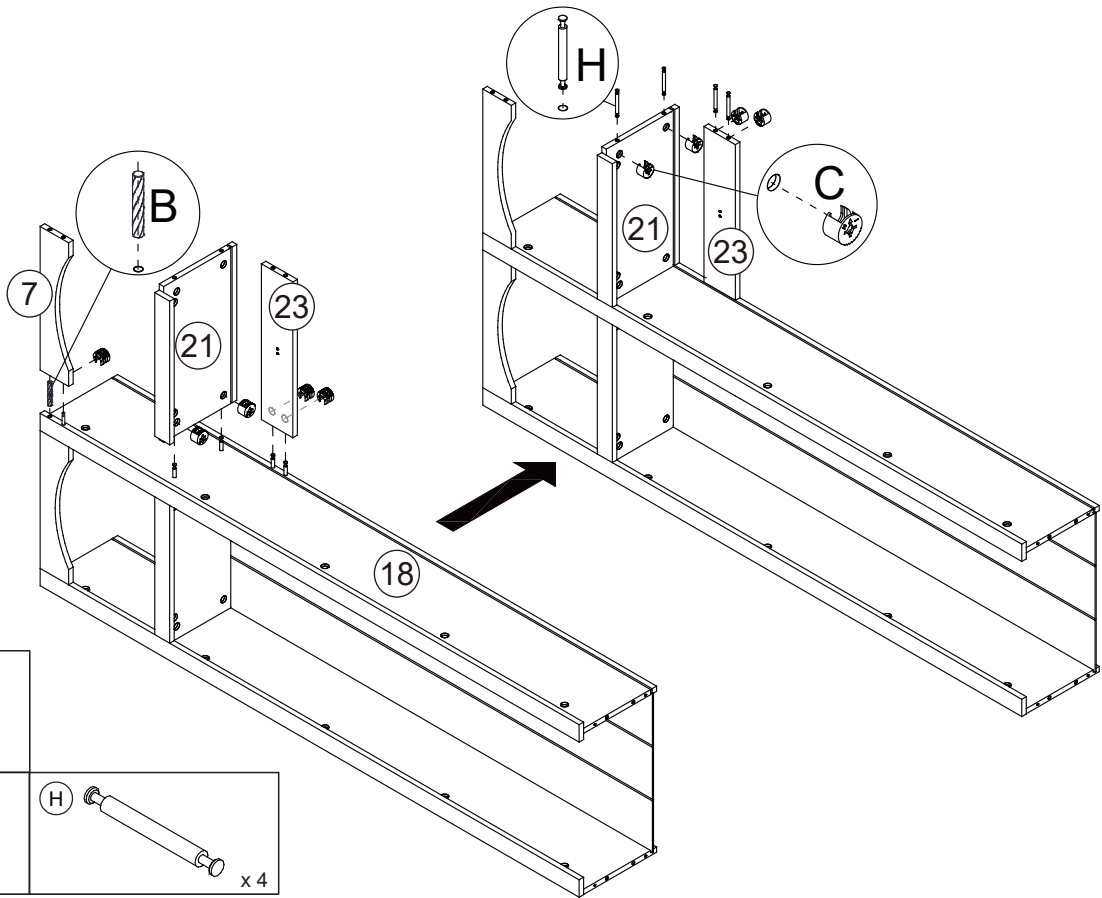


Step 10

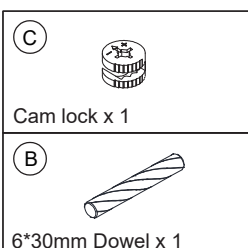
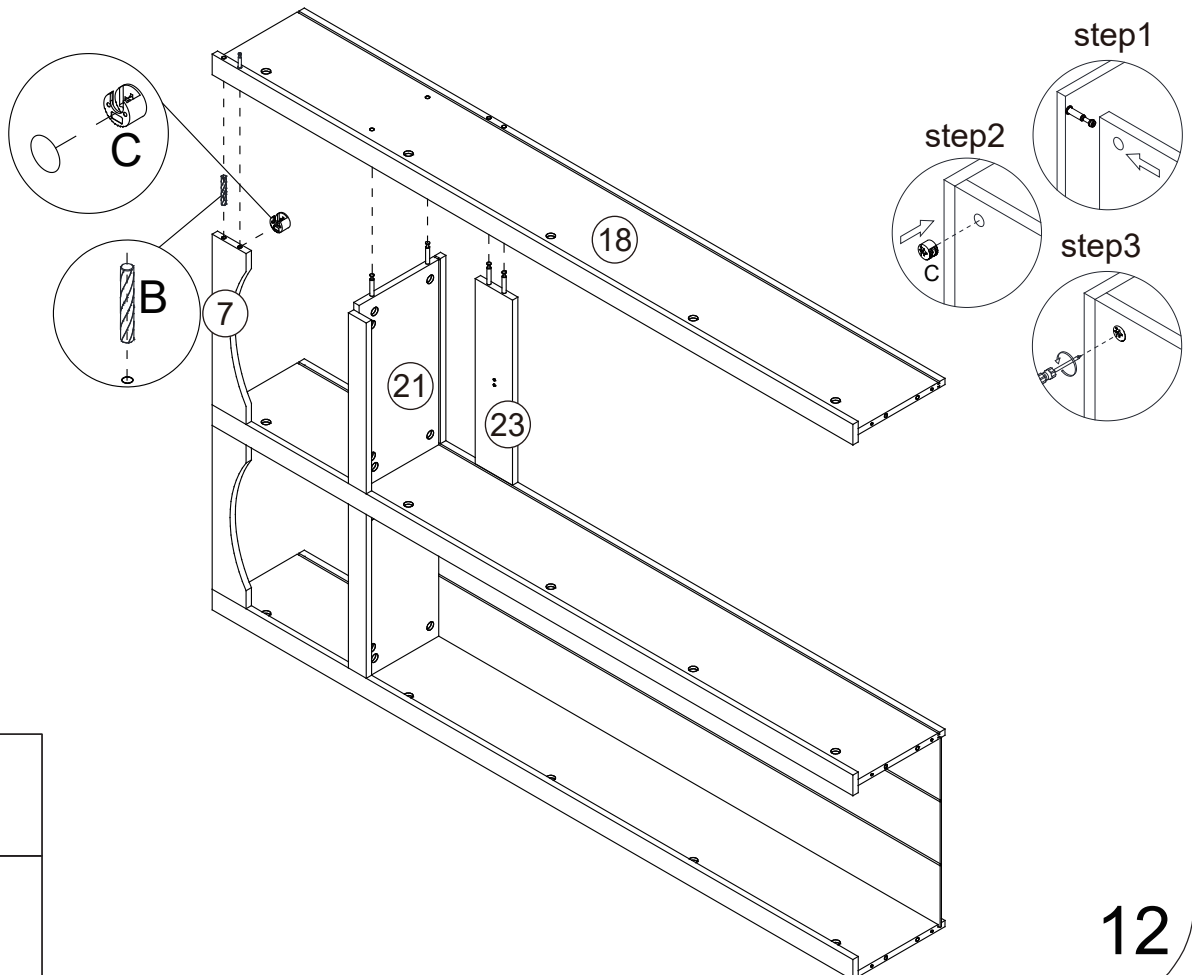


Assembly Instructions

Step 11

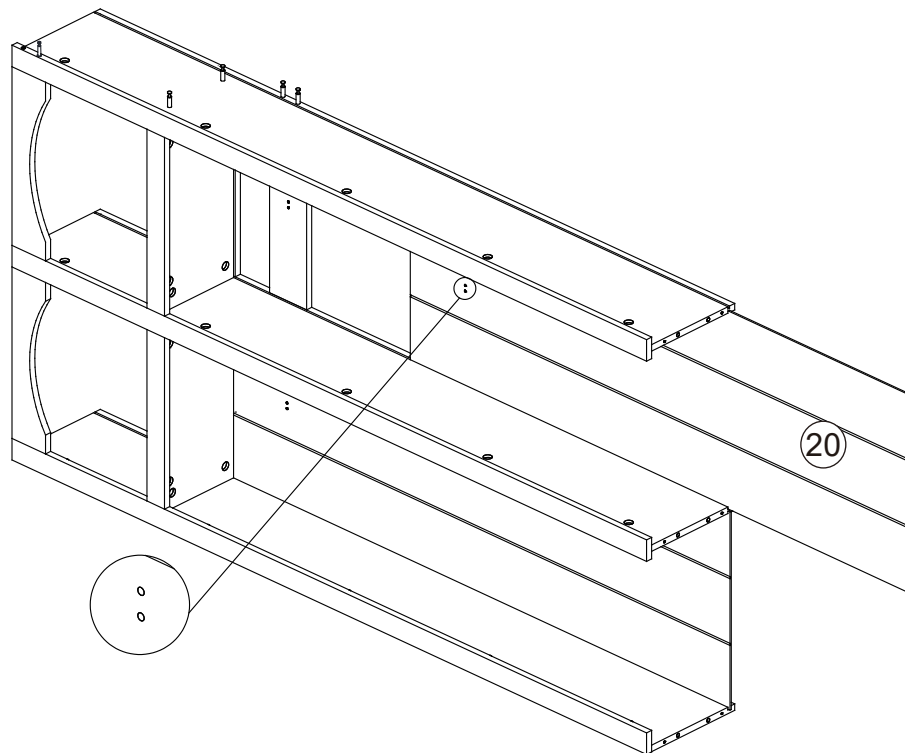


Step 12

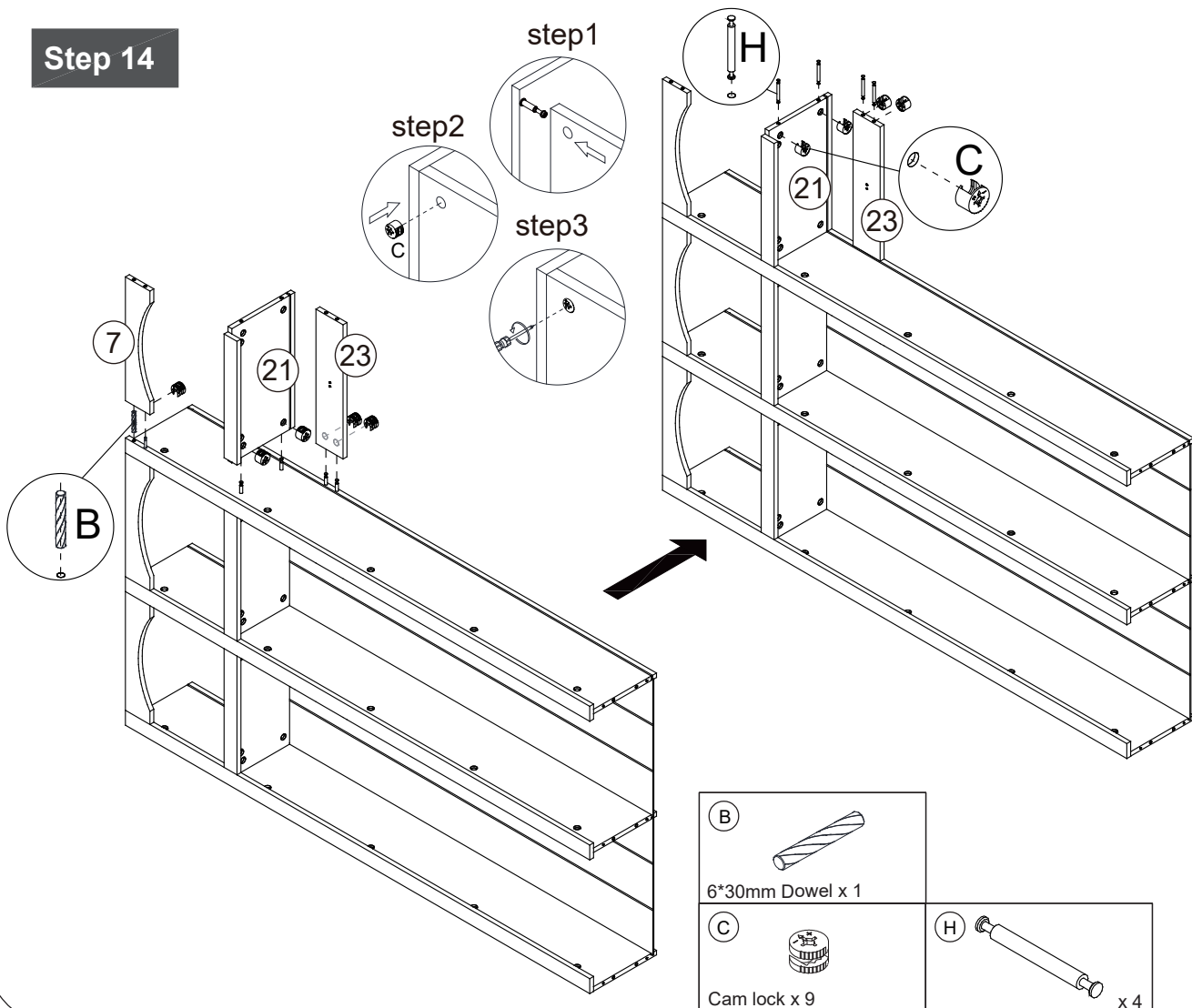


Assembly Instructions

Step 13

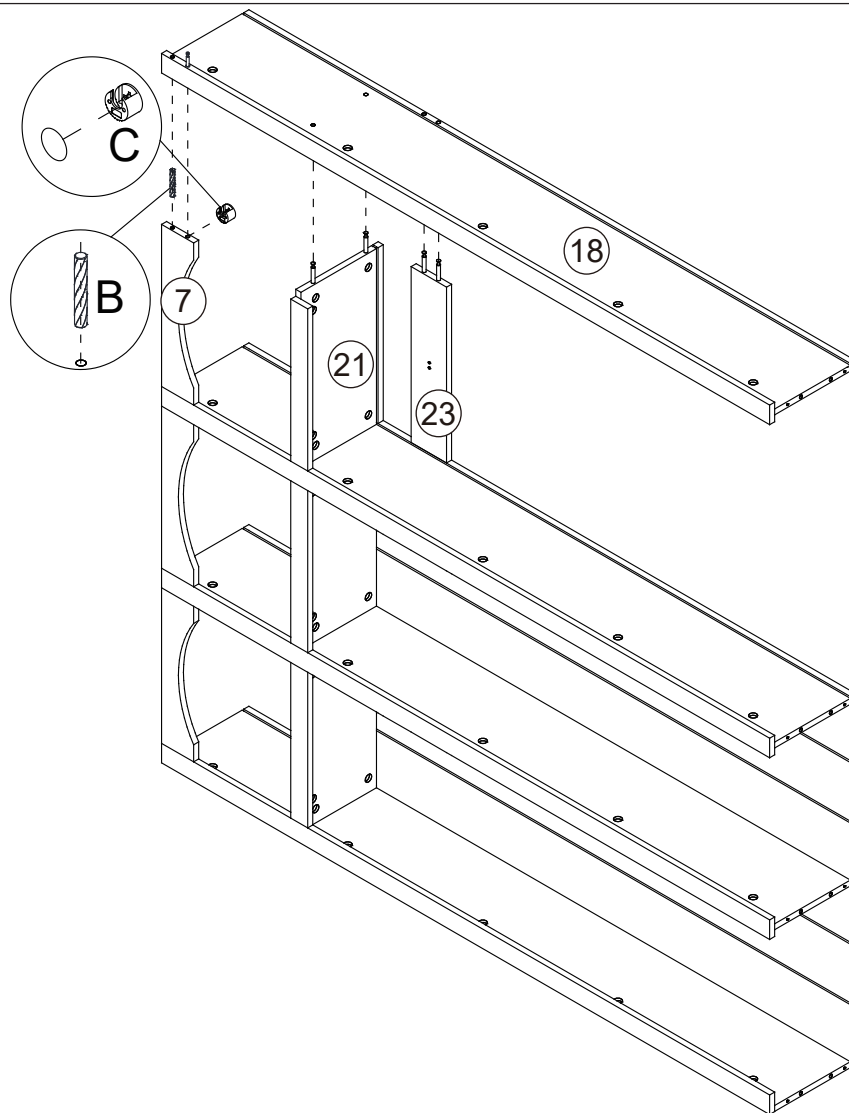




Step 14



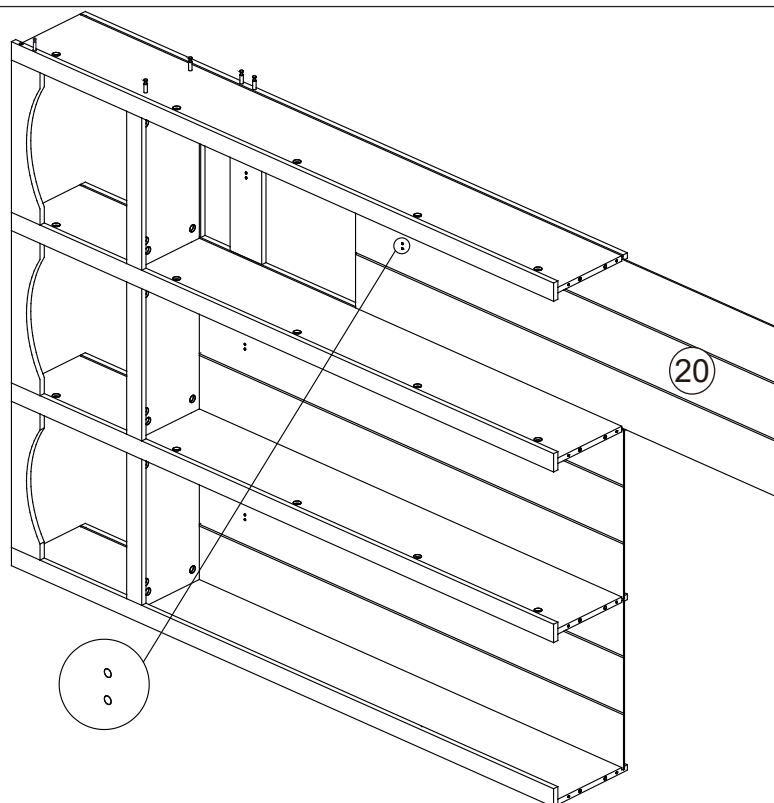
Assembly Instructions

Step 15



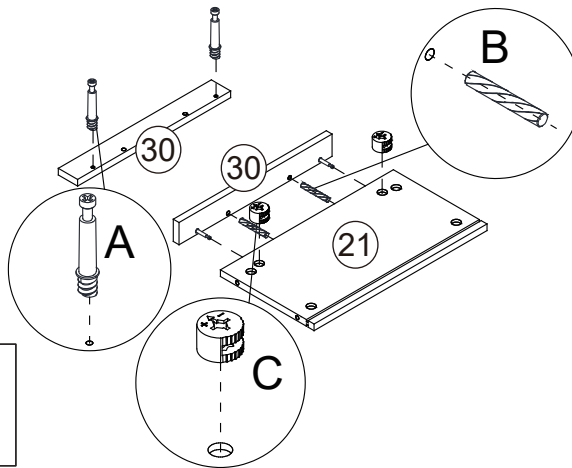
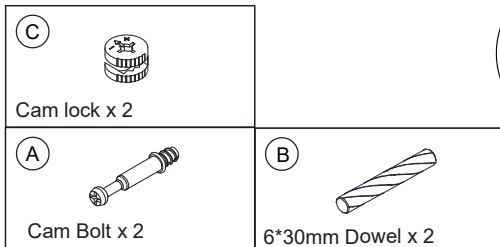
- (C)  Cam lock x 1
- (B)  6*30mm Dowel x 1

Step 16

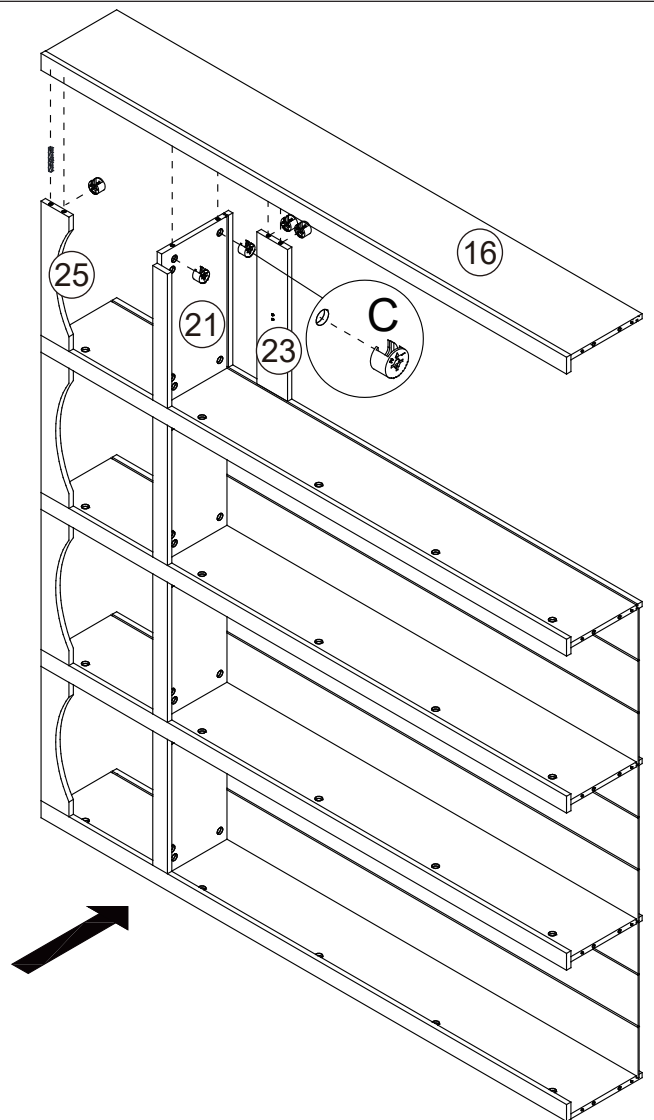
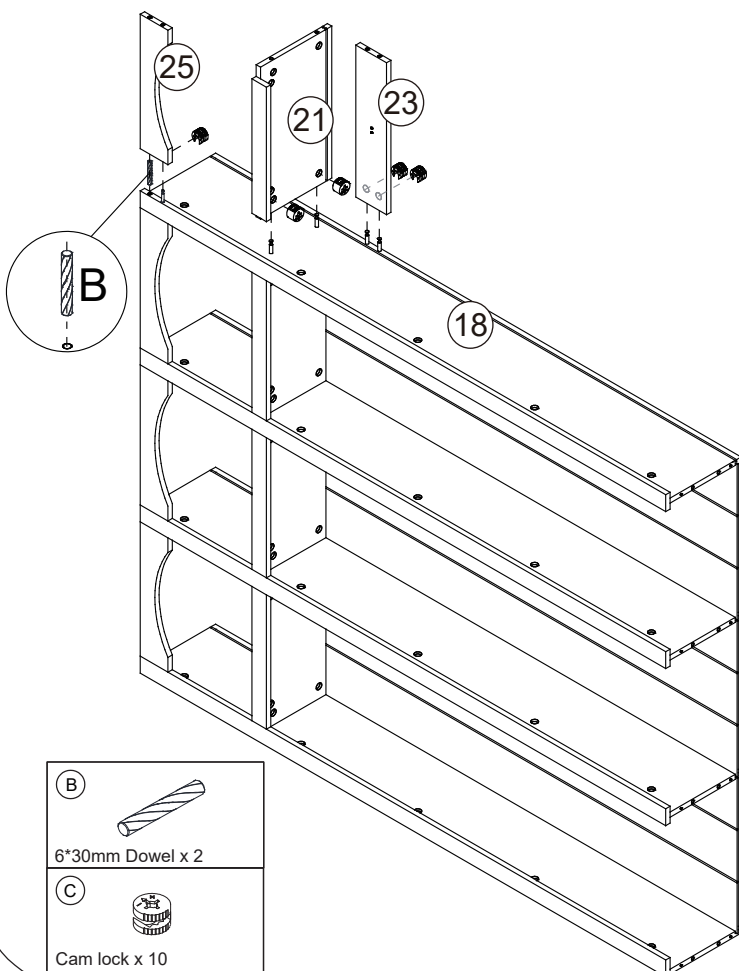
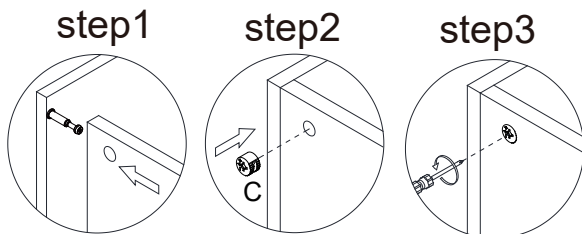


Assembly Instructions

Step 17

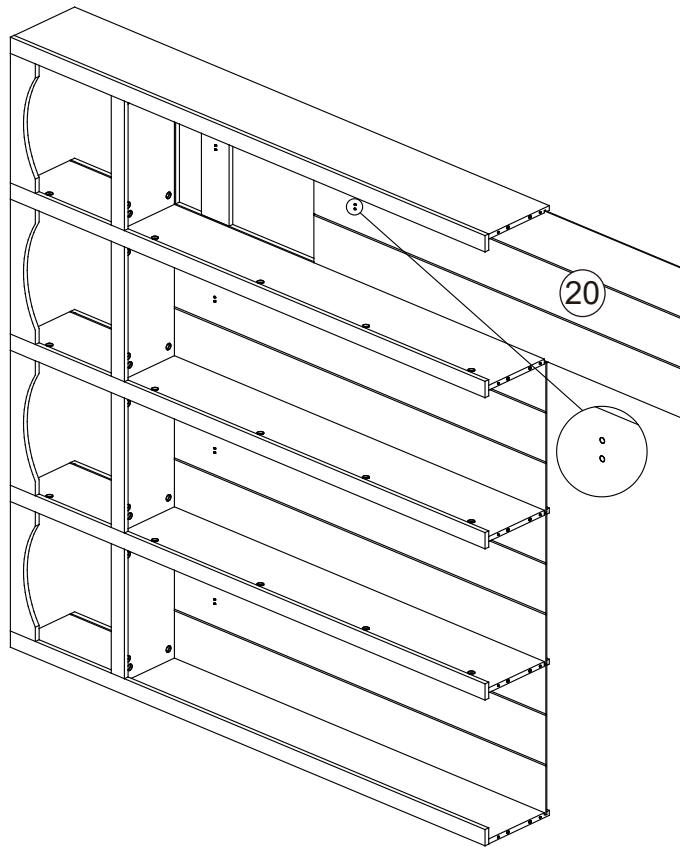


Step 18

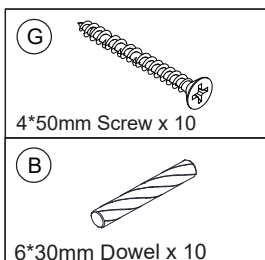
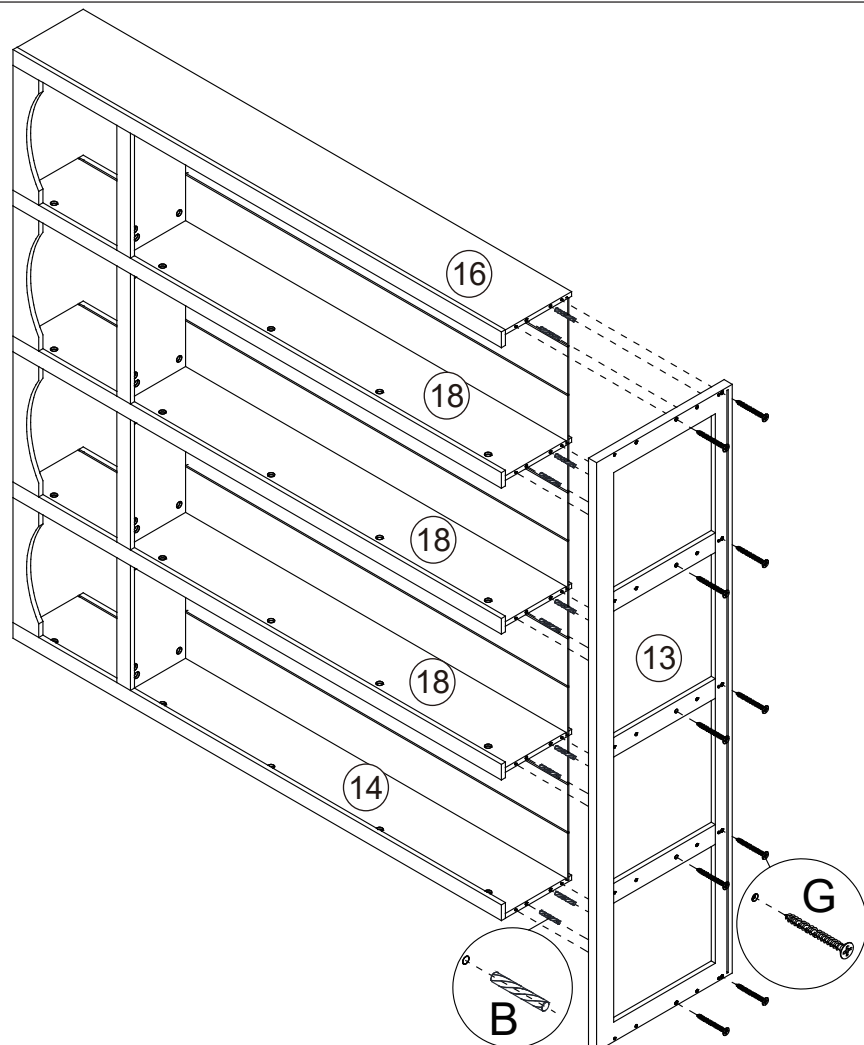


Assembly Instructions

Step 19

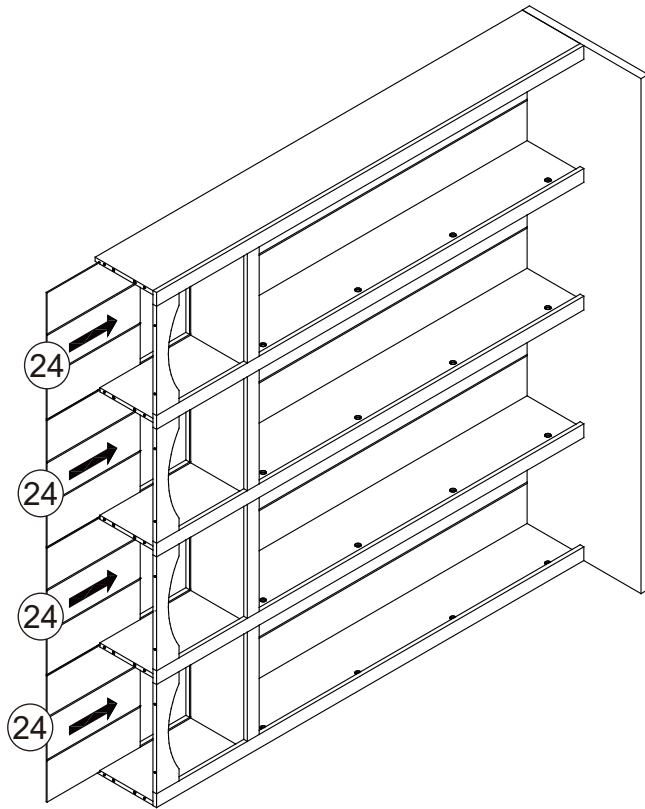


Step 20

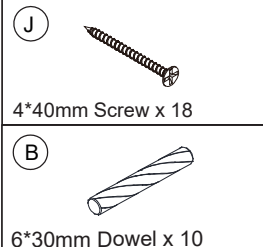
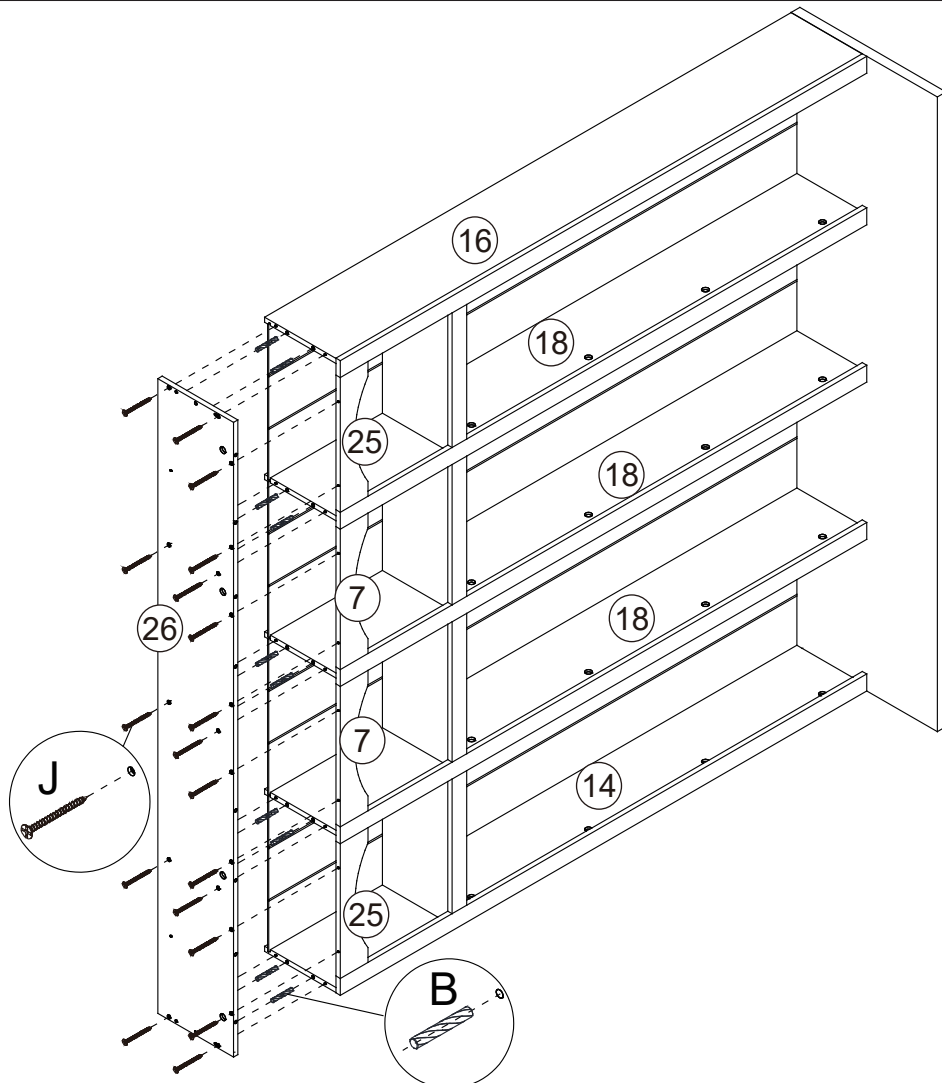


Assembly Instructions

Step 21

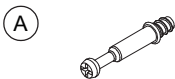
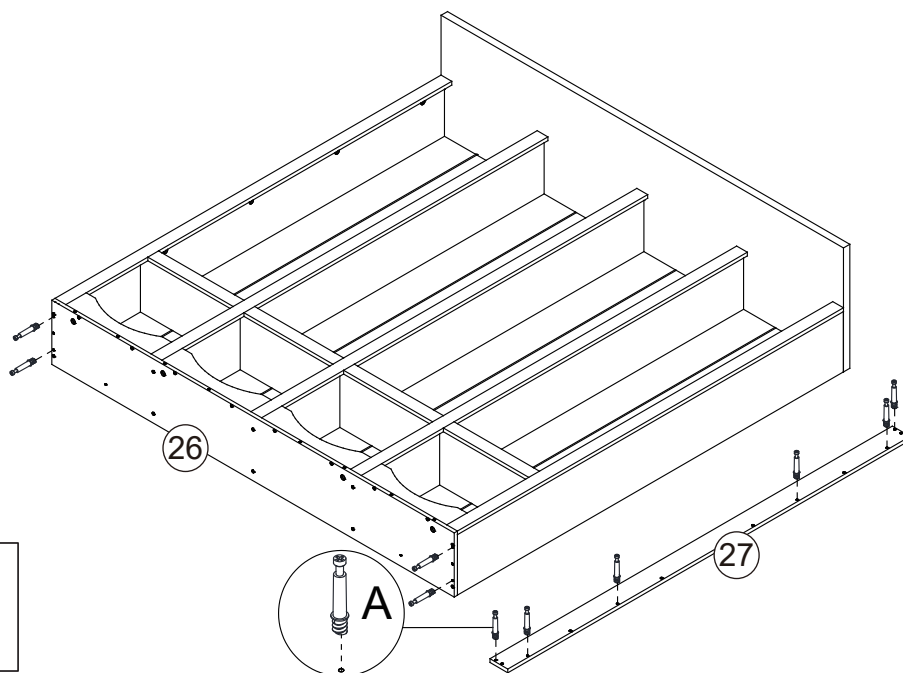


Step 22



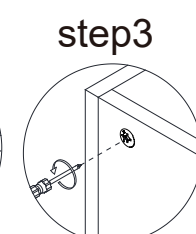
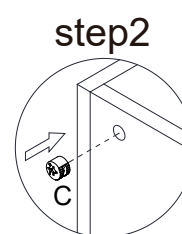
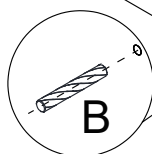
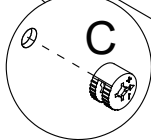
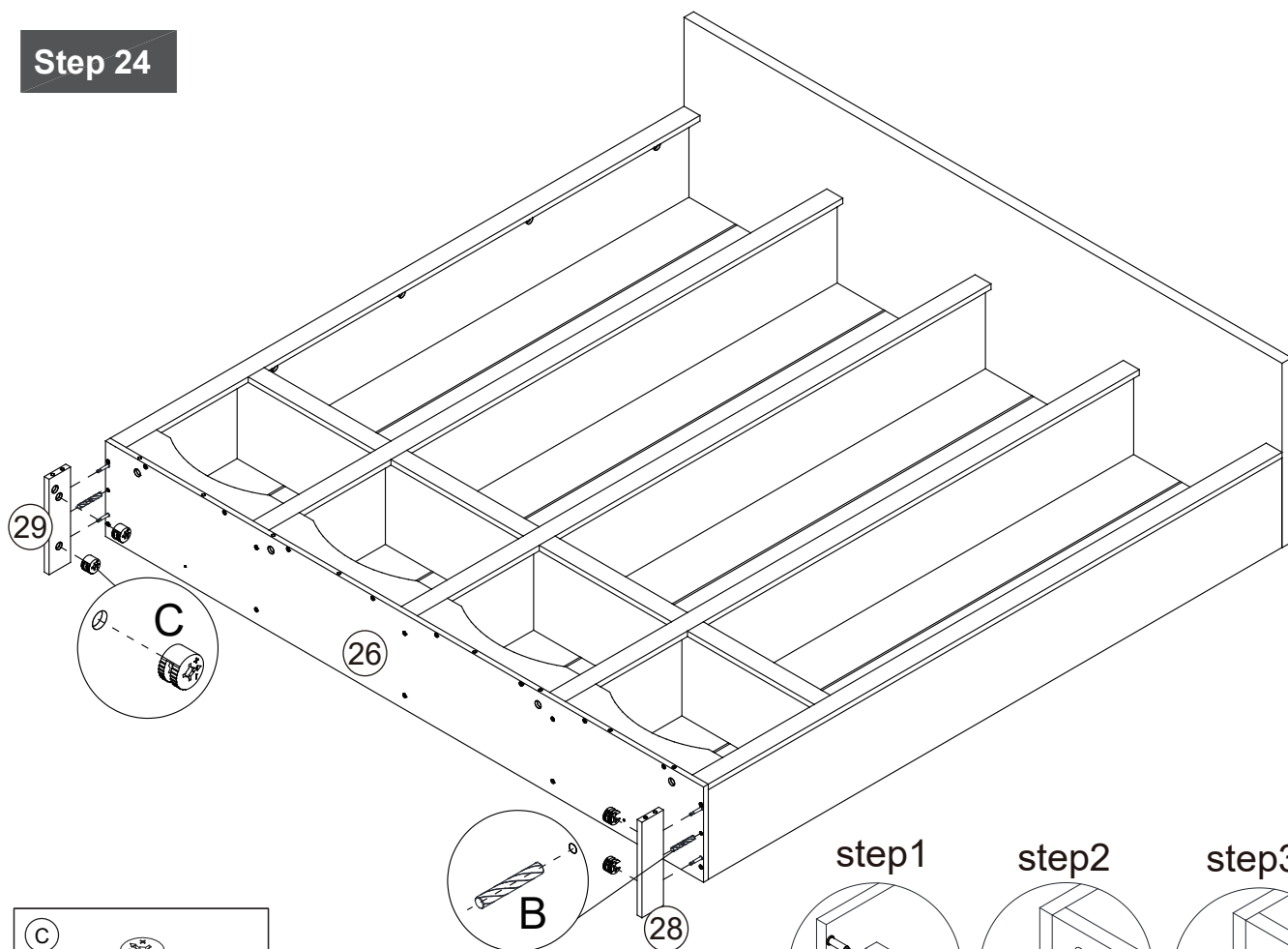
Assembly Instructions

Step 23



Cam Bolt x 10

Step 24



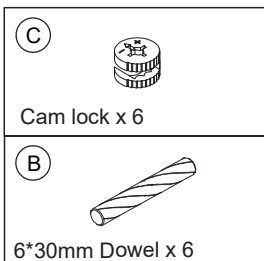
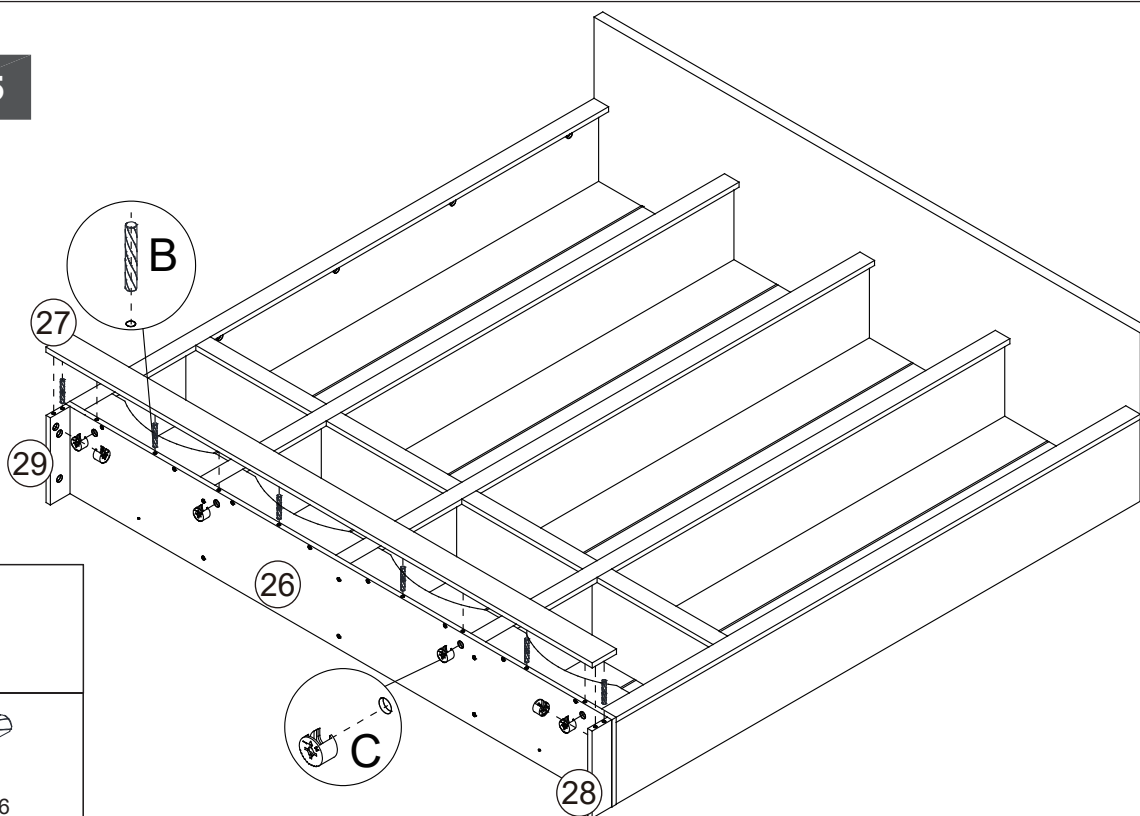
Cam lock x 4



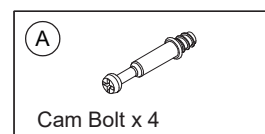
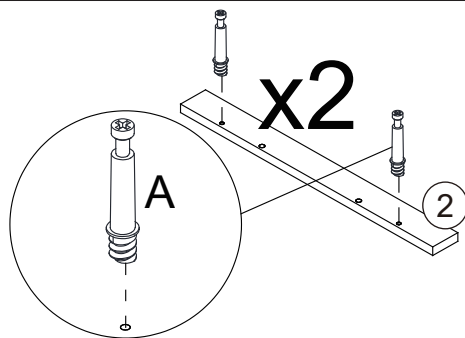
6*30mm Dowel x 2

Assembly Instructions

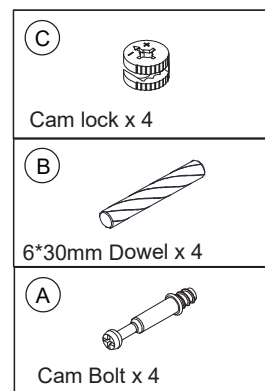
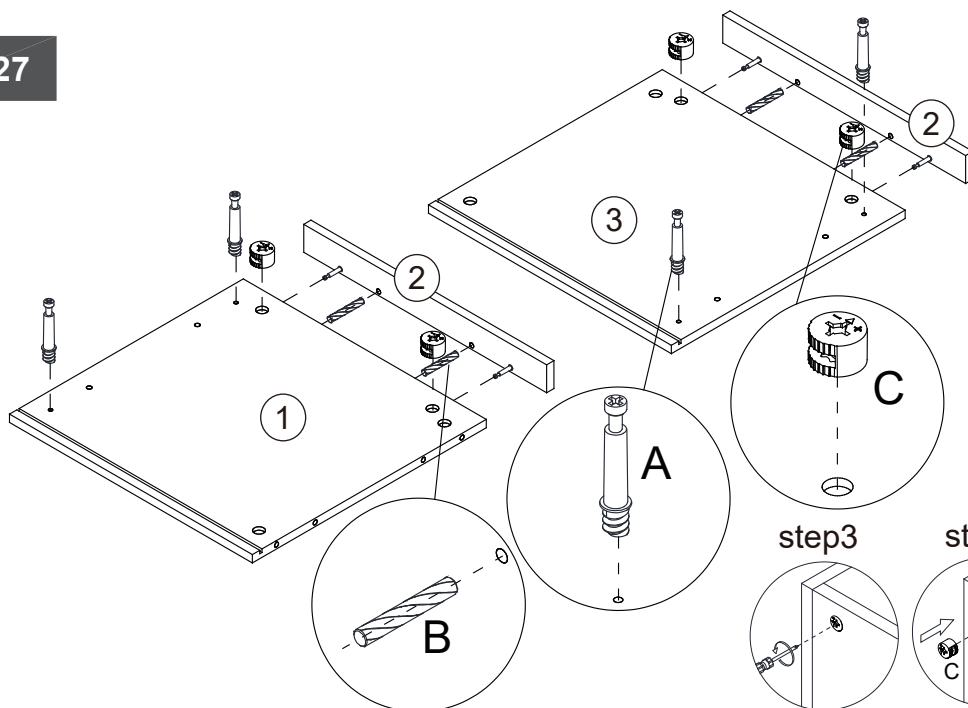
Step 25



Step 26



Step 27



step1

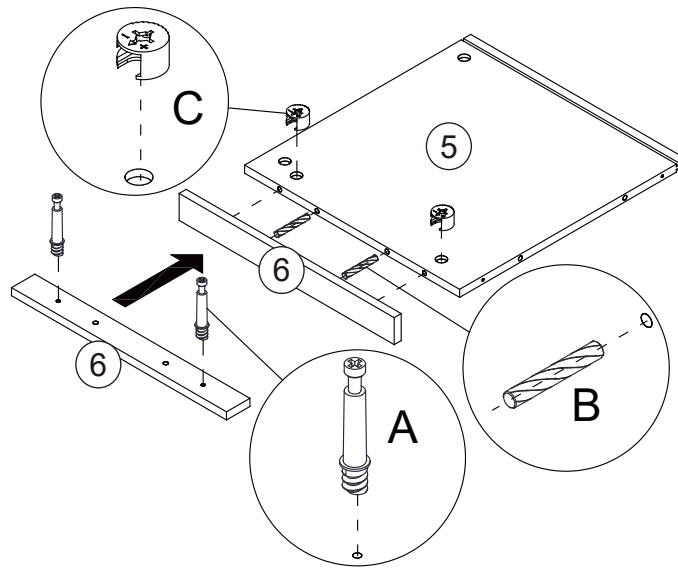
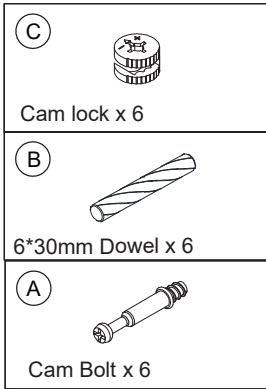
step3

step2

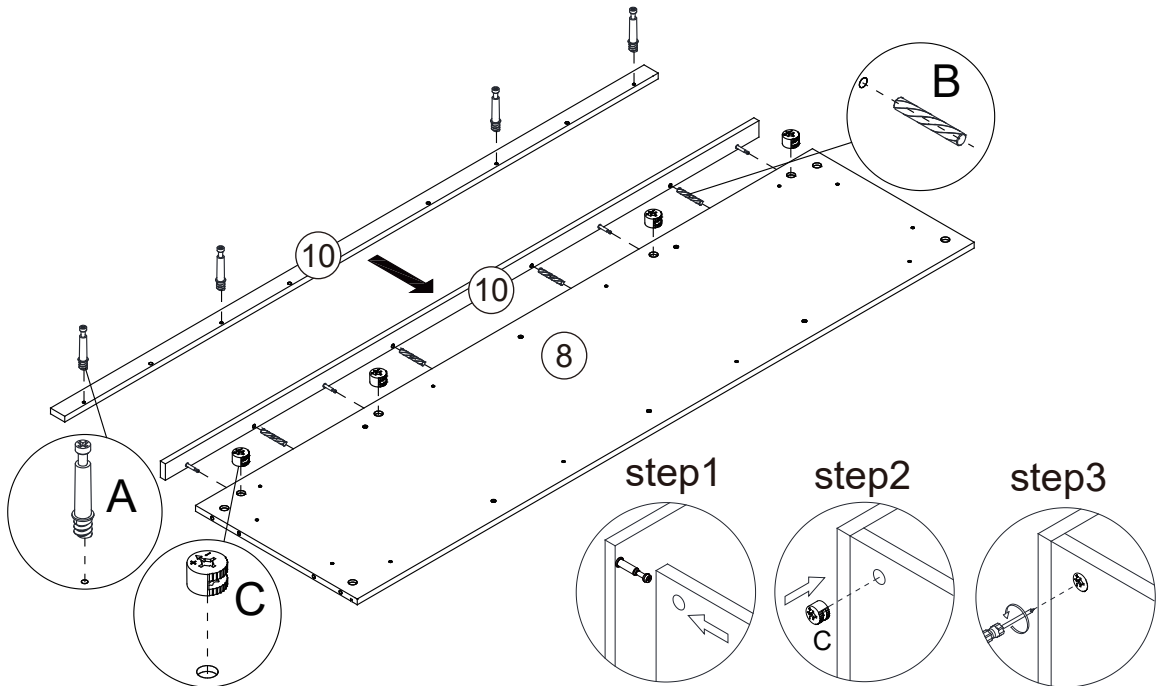
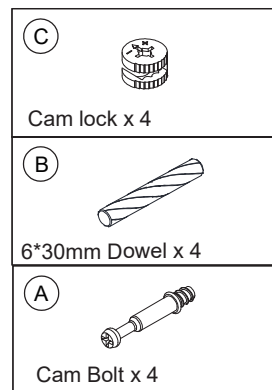
Assembly Instructions

x3

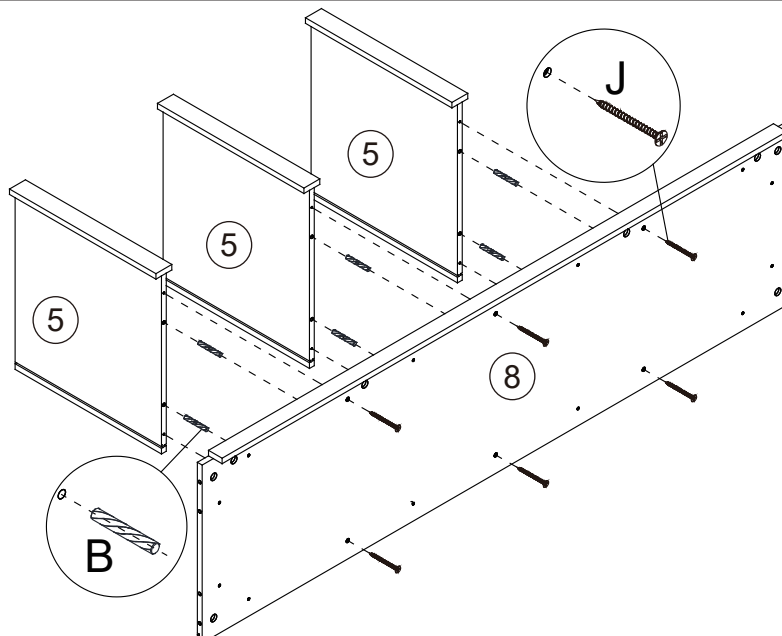
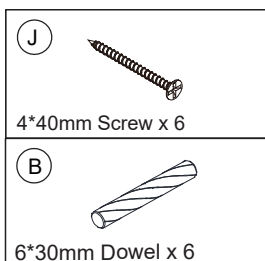
Step 28



Step 29



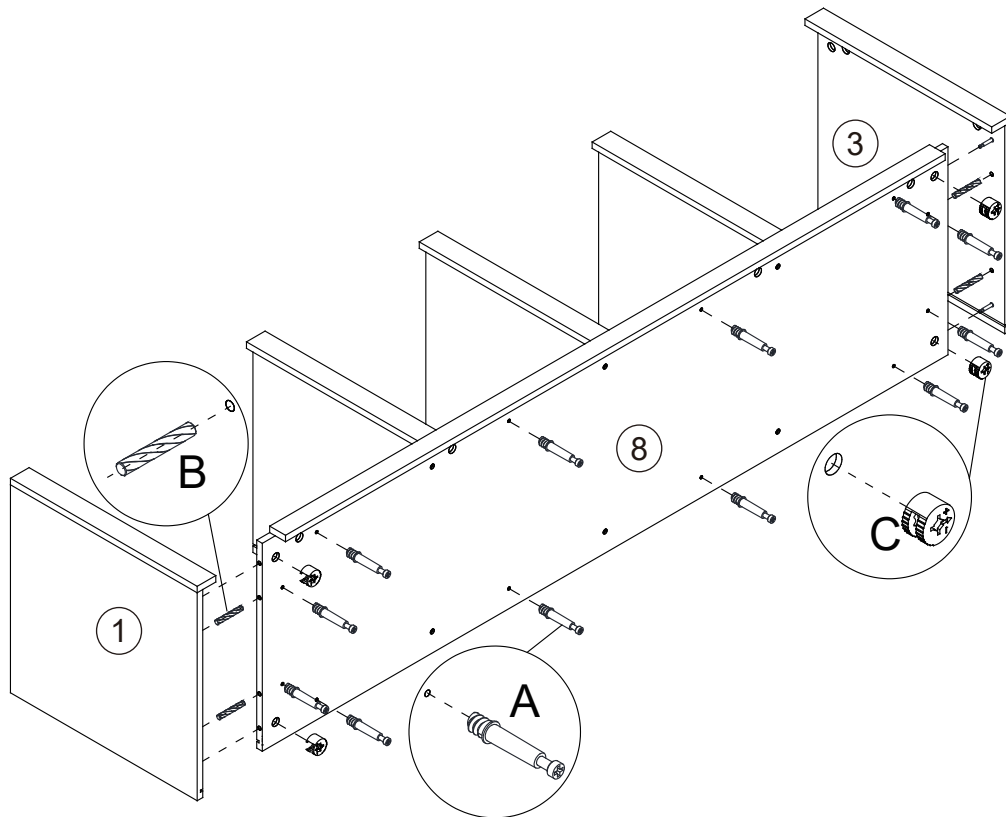
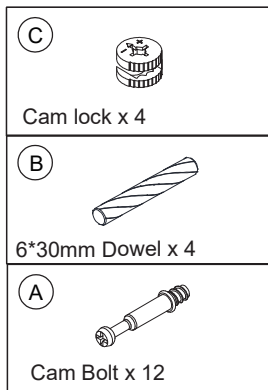
Step 30



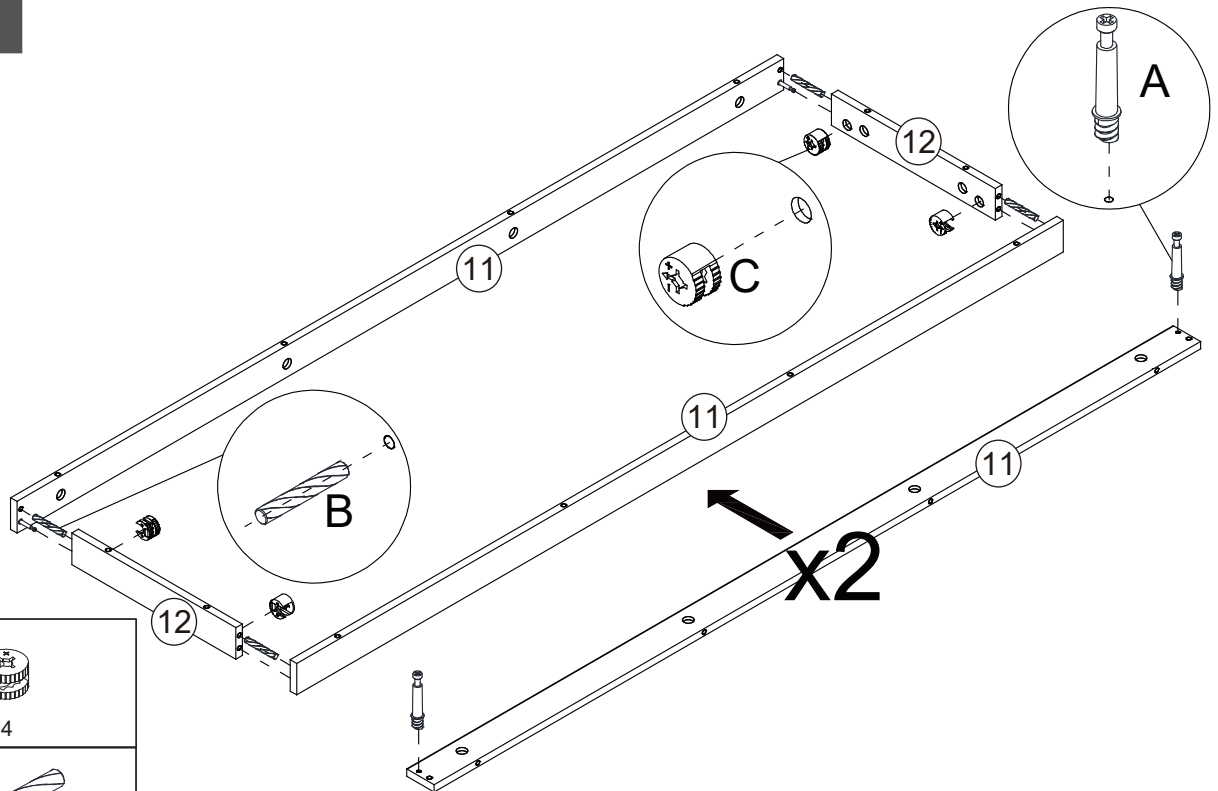
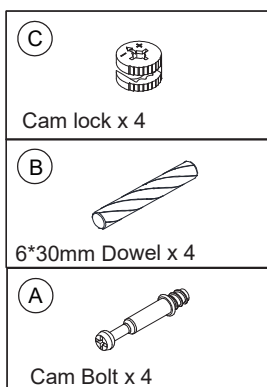
20

Assembly Instructions

Step 31

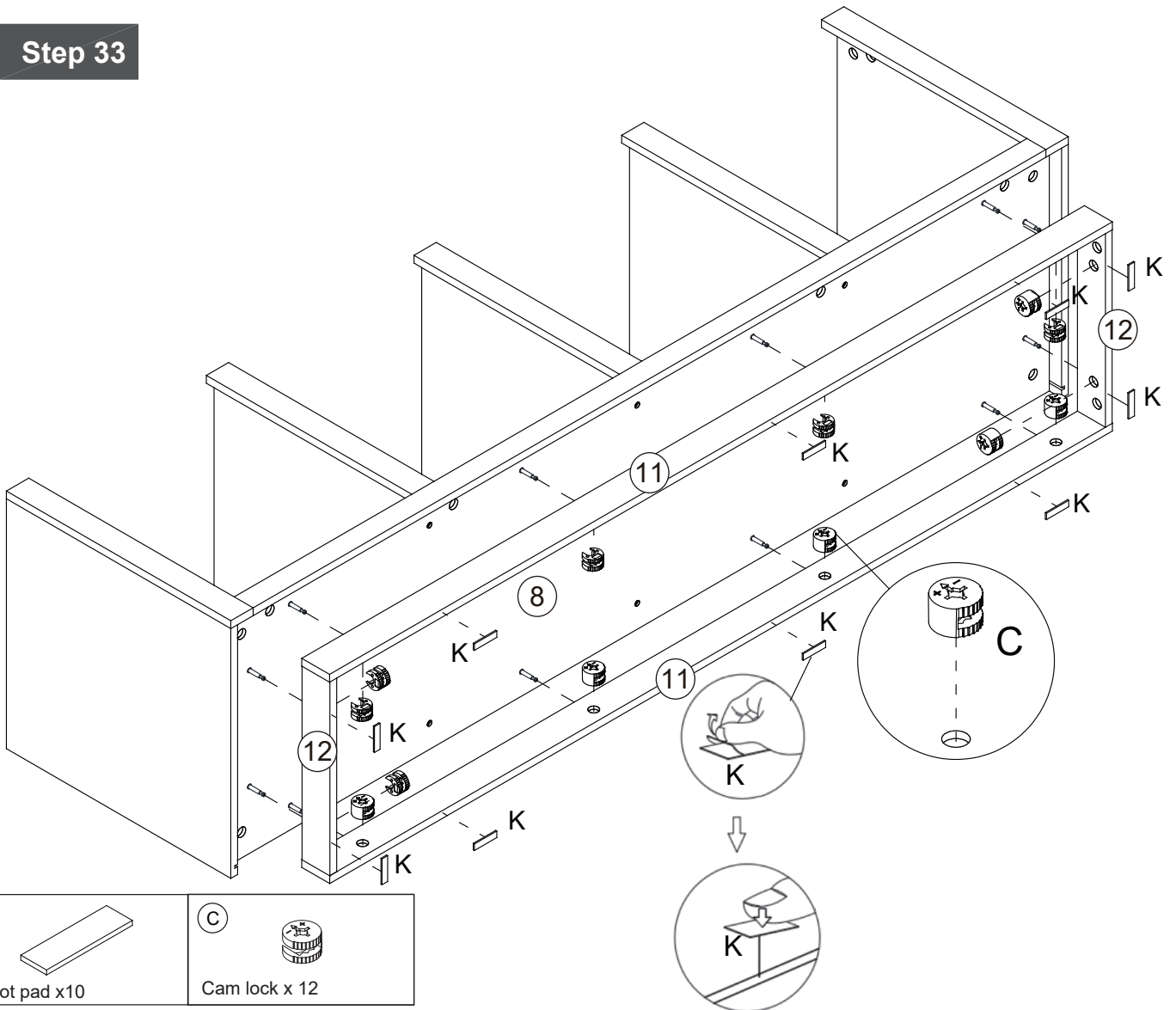


Step 32

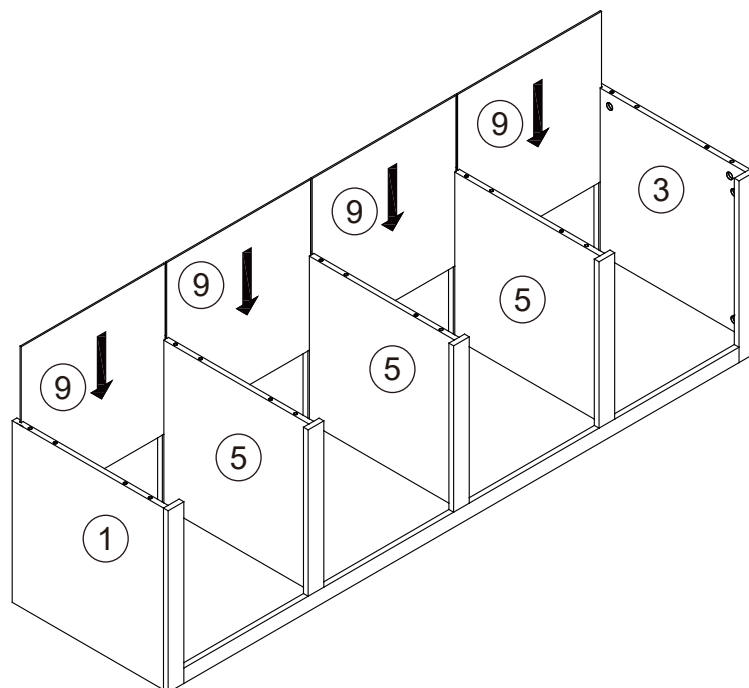


Assembly Instructions

Step 33

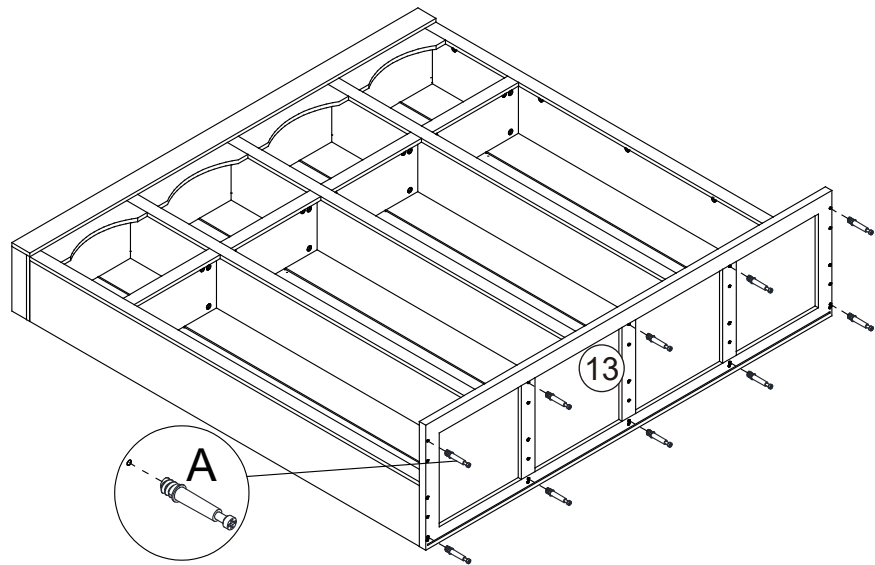


Step 34

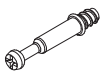


Assembly Instructions

Step 35

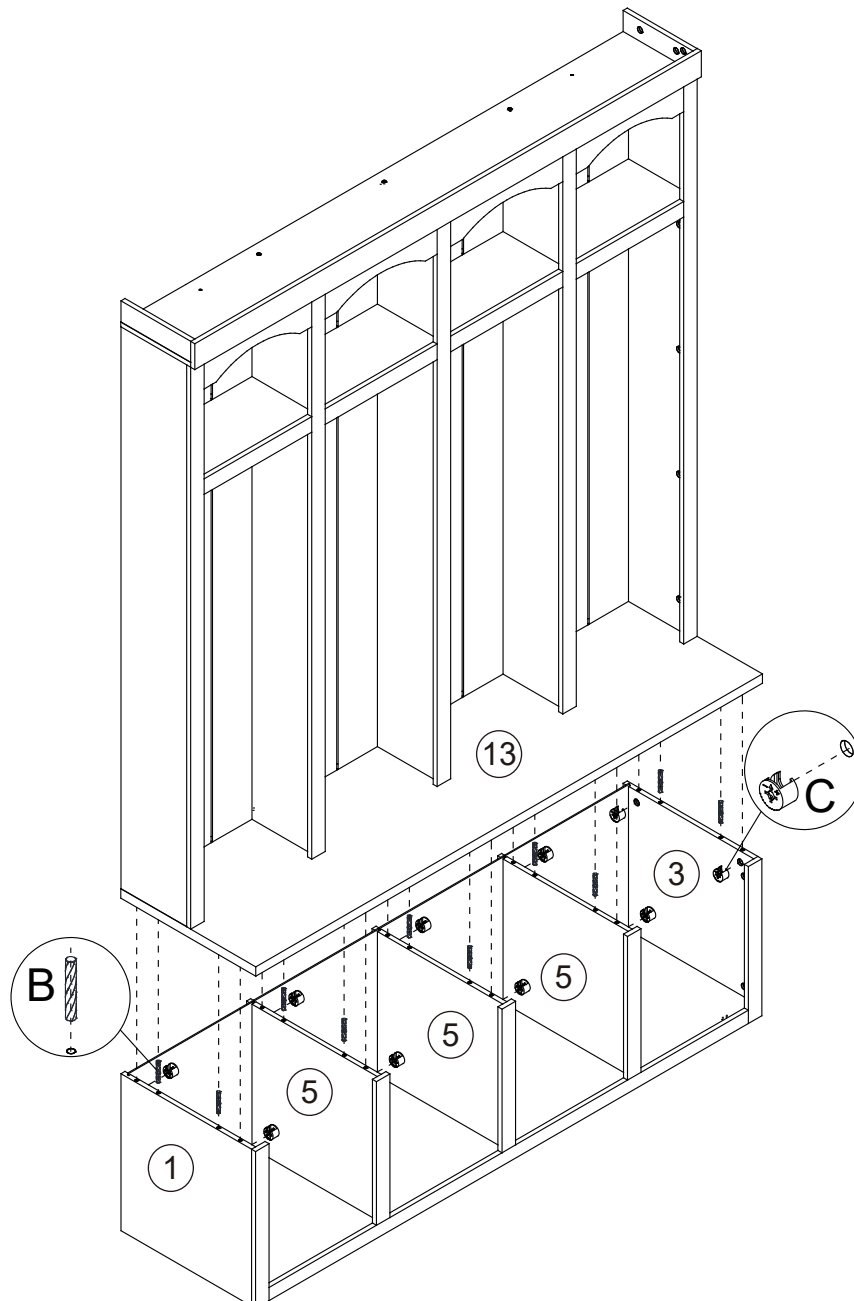


A

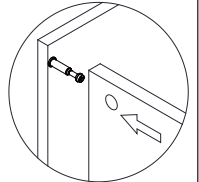


Cam Bolt x 10

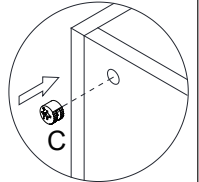
Step 36



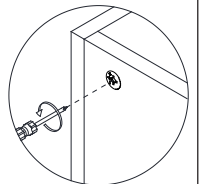
step1



step2



step3

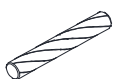


C



Cam lock x 10

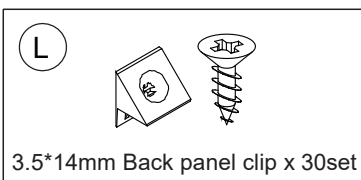
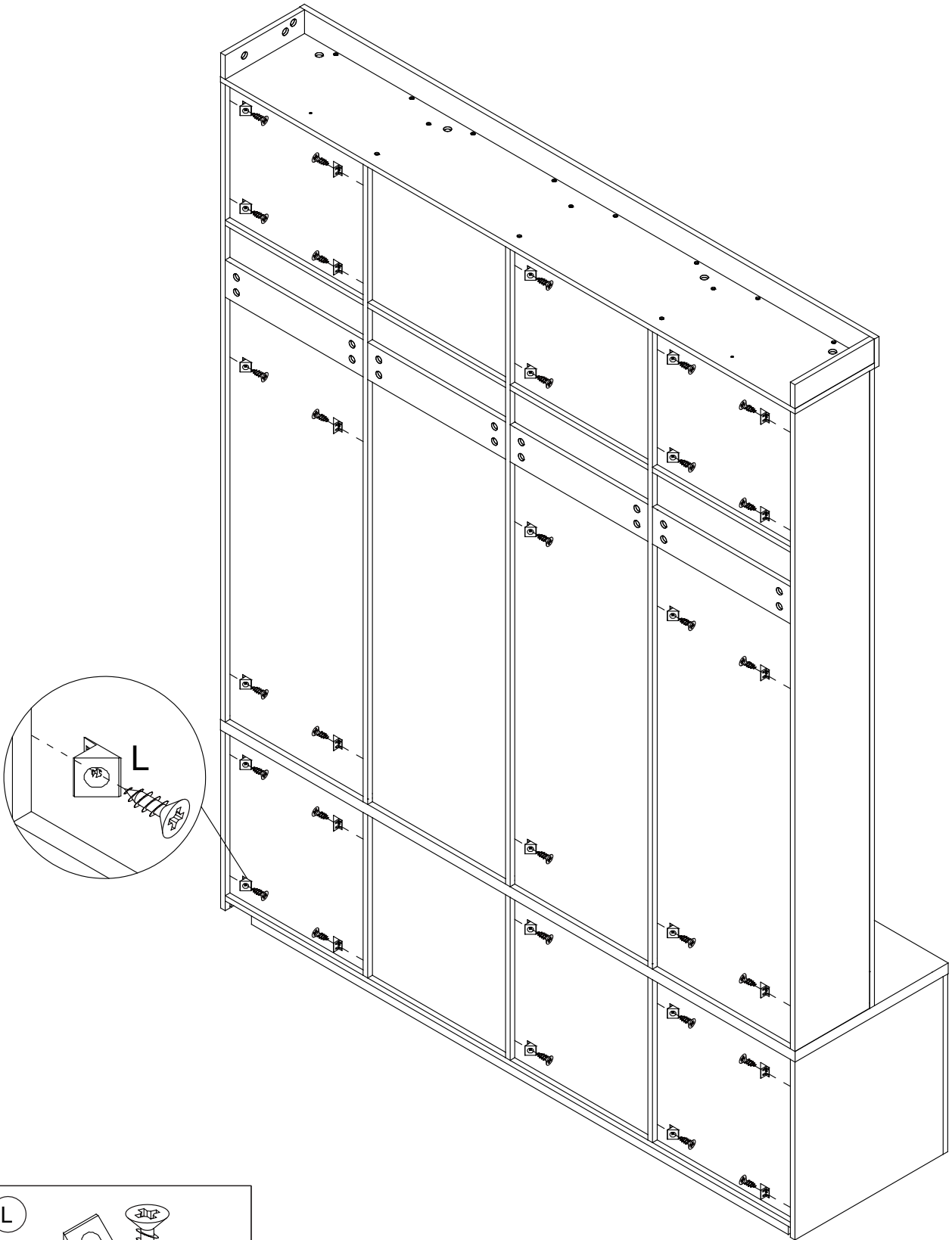
B



6*30mm Dowel x 10

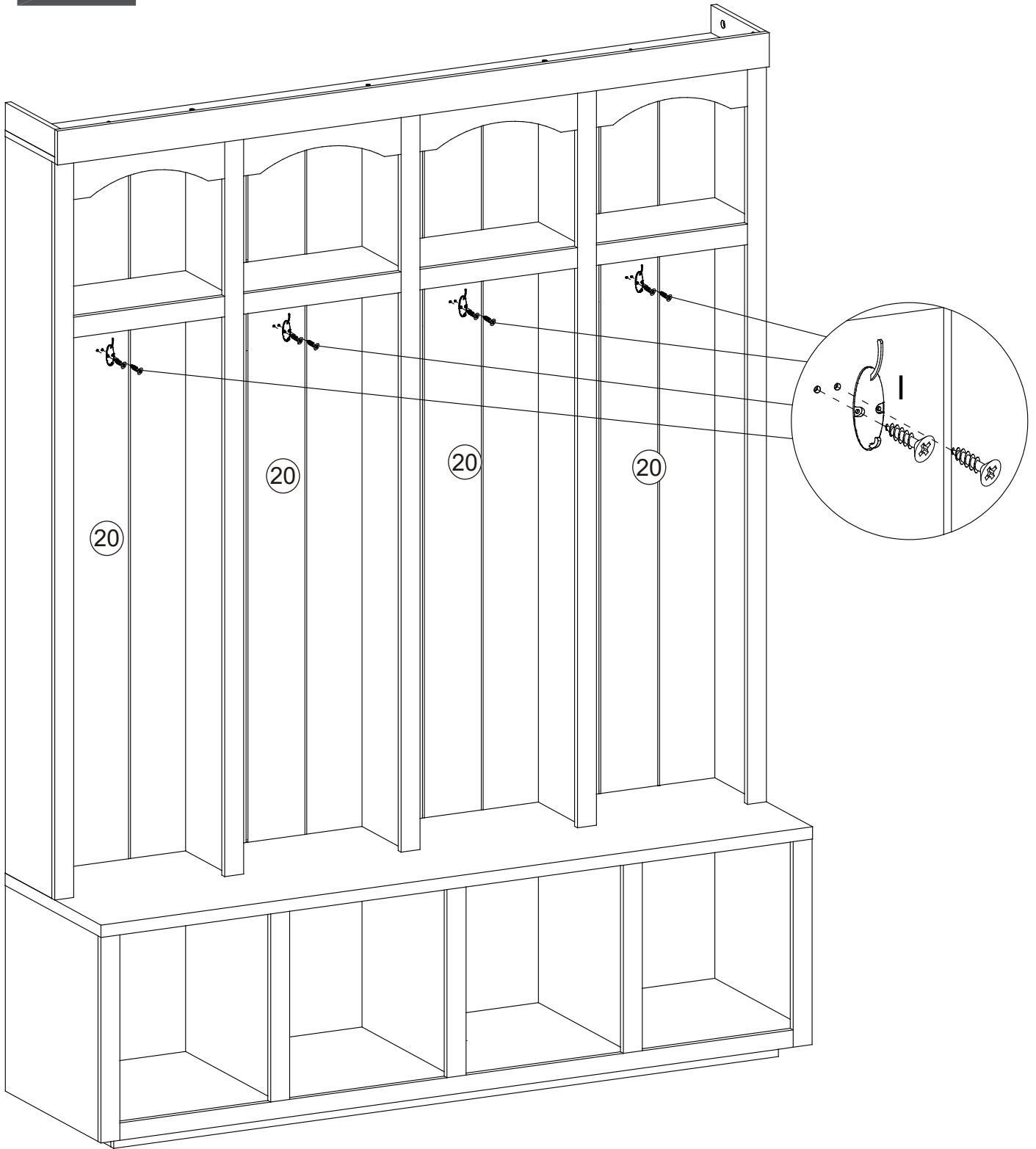
Assembly Instructions

Step 37



Assembly Instructions

Step 38



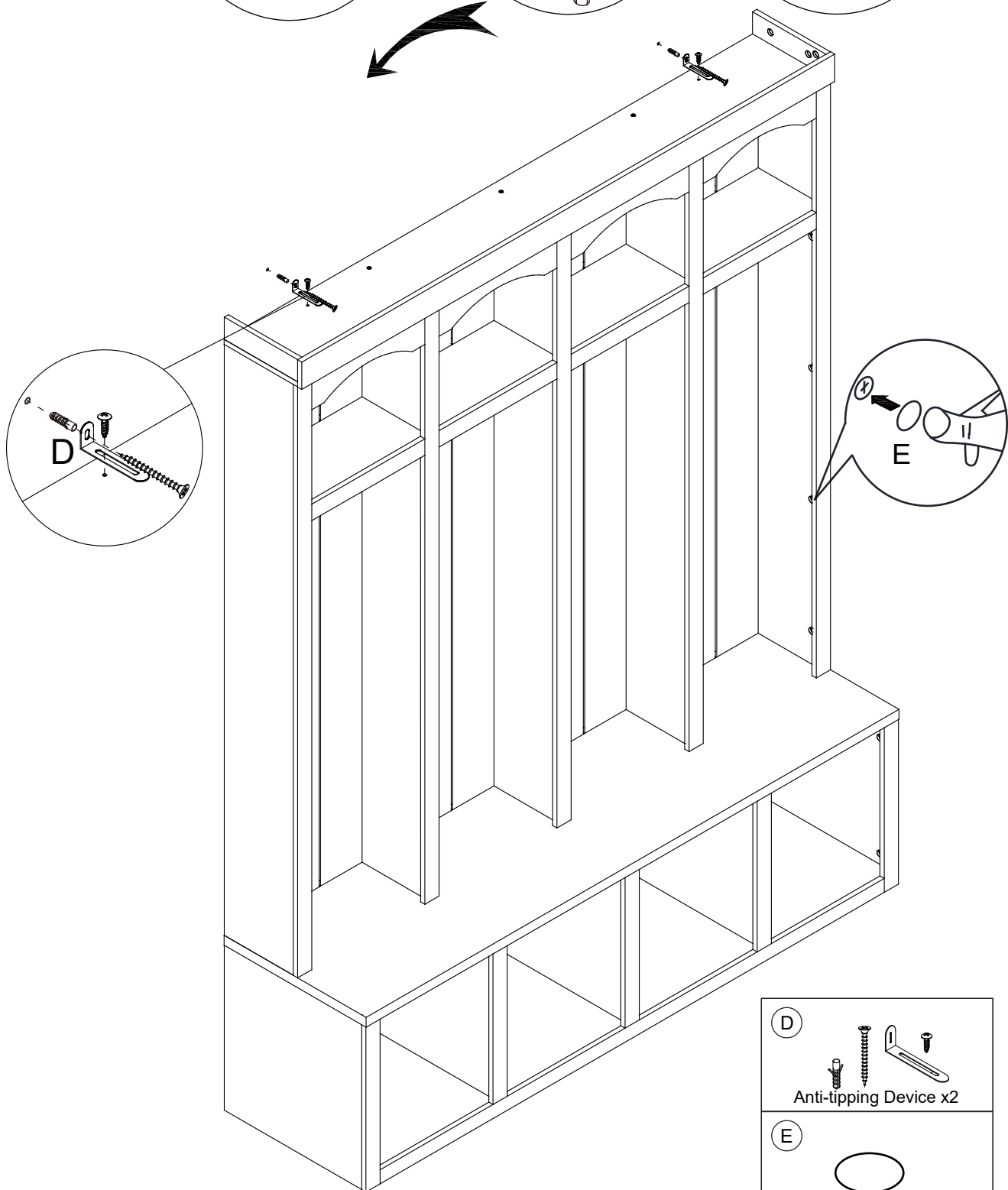
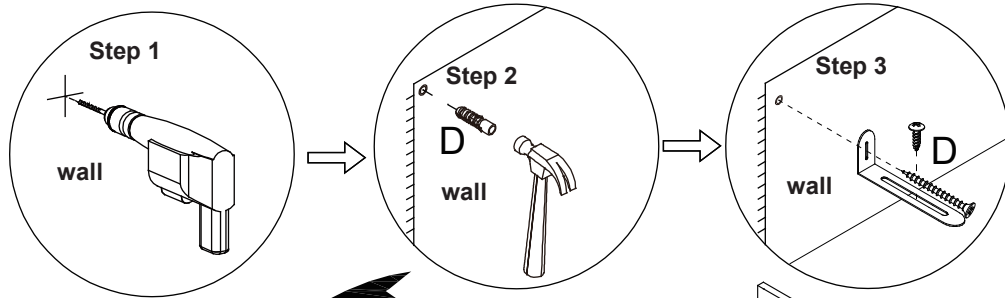
I

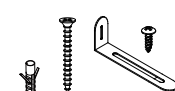



3*16mm Hook x 4set

Assembly Instructions

Step 39



D	
Anti-tipping Device x2	
E	
Perfect fit x 50	

Assembly Instructions

Finish

