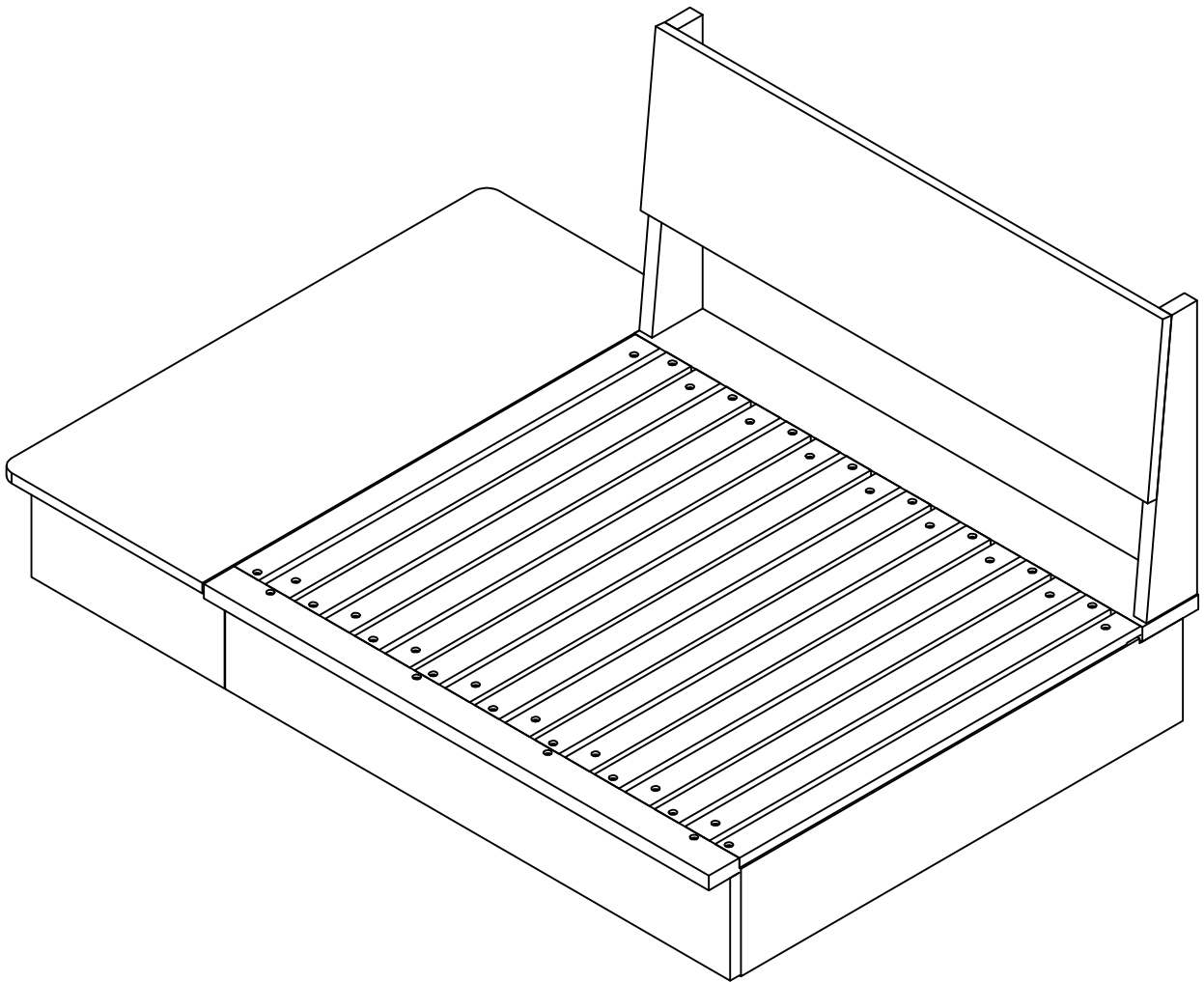
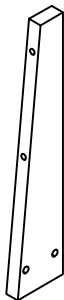

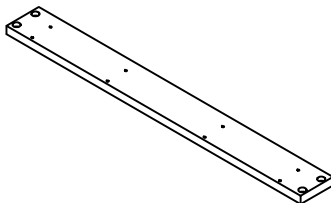
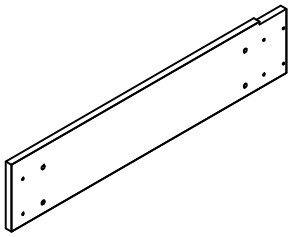
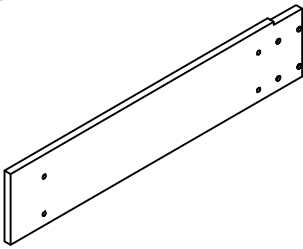
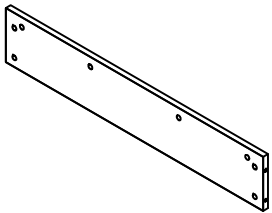
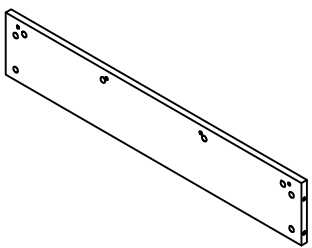
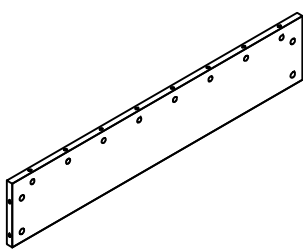
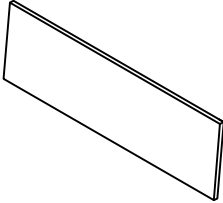
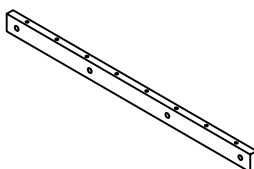
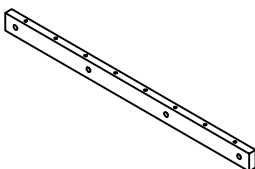
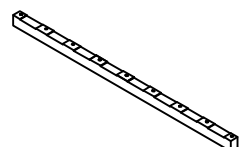
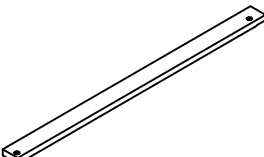
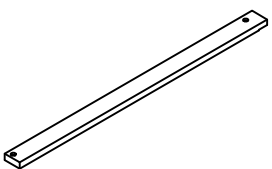
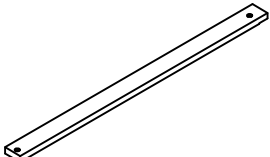
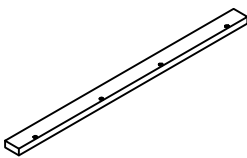
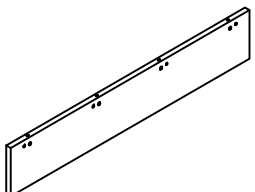
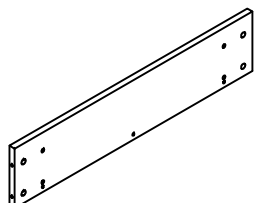
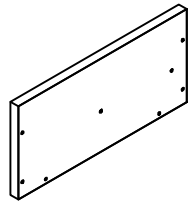
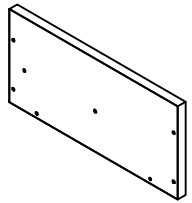
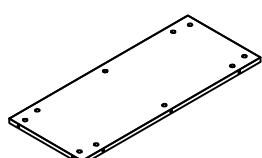
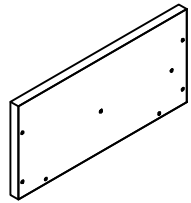
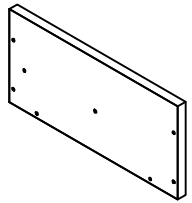
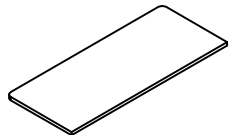


USER'S MANUAL

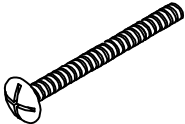




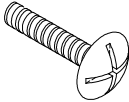


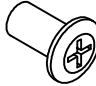

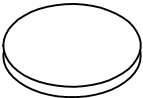
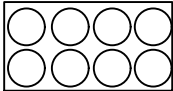


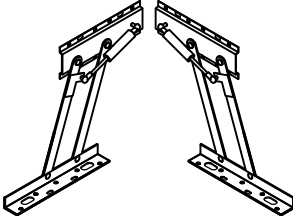
SOFA

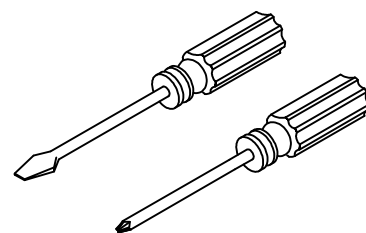


PARTS LIST

① 	② 	③ 	④ 
Left back support panel x1	Right back support panel x1	Back top panel x1	Left side panel x1
⑤ 	⑥ 	⑦ 	⑧ 
Right side panel x1	Back side panel (inside) x1	Back side panel (outside) x1	Front panel x1
⑨ 	⑩ 	⑪ 	⑫ 
Backrest panel x1	Base back rod(962) x1	Base back rod(958) x1	Pine wood rod x1
⑬ 	⑭ 	⑮ 	⑯ 
Left seat panel x1	Right seat panel x1	Seat panel x15	Front panel of extendable base frame x1
⑰ 	⑱ 	⑲ 	⑲ 
Front panel of extendable base frame x1	Arm side panel x1	Arm side panel x1	Arm side panel x1
⑳ 	㉑ 	㉒ 	㉓ 
Arm bottom panel x1	Arm side panel x1	Arm side panel x1	Arm top lift up x1

HARDWARE LIST

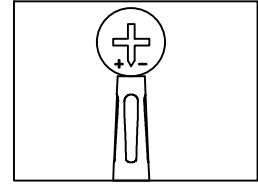
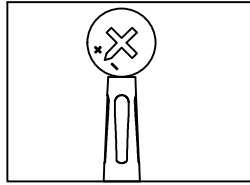
A	B	C	D	E
				
8*55 Screw x8	8mm Hammer nut x4	3 in 1 Screw x22	3 in 1 Nut x22	6mm Ring x46
F	G	H	I	J
				
6*25 Screw x8	6*50 Screw x37	6mm Hammer nut x28	6mm Connecting nut x16	6*30 Threaded rod x8
K	L	M	N	O
				
Pad x20	Hole sticker x32	6*70 Screw x17	4*16 Screw x14	Lift up metal assembly x1 pair



phillips head screw driver required
for assemble---not include



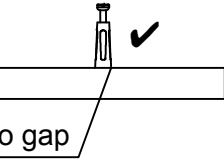
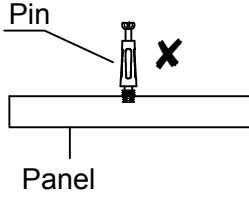
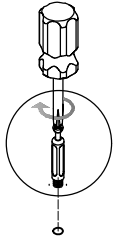
Bolt



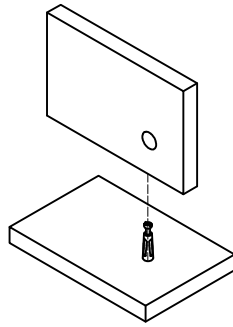
Connecting piece

Adjust connecting piece direction until it is properly lined up with the hole.

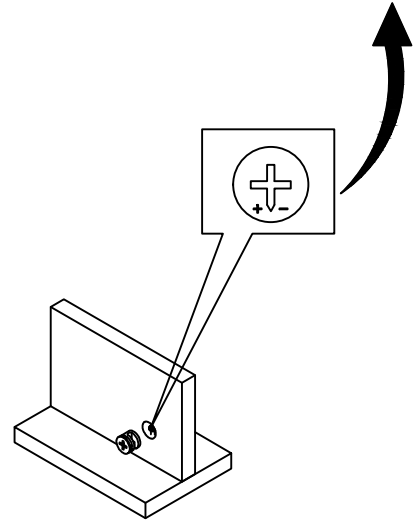
Insert bolt when connecting piece direction is properly lined up.



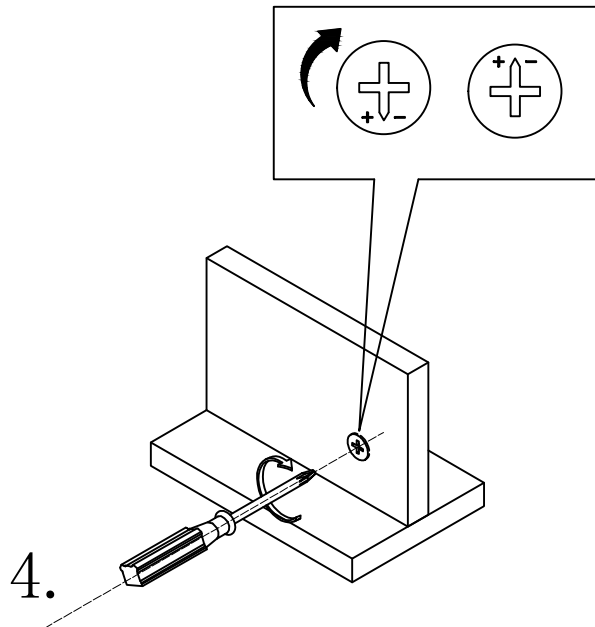
1.



2.

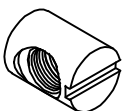


3.



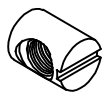
4.

(B)

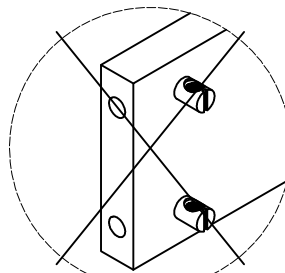


8mm Hammer nut

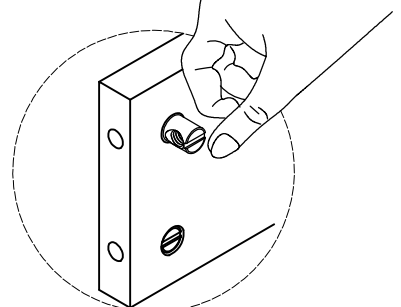
(H)



6mm Hammer nut

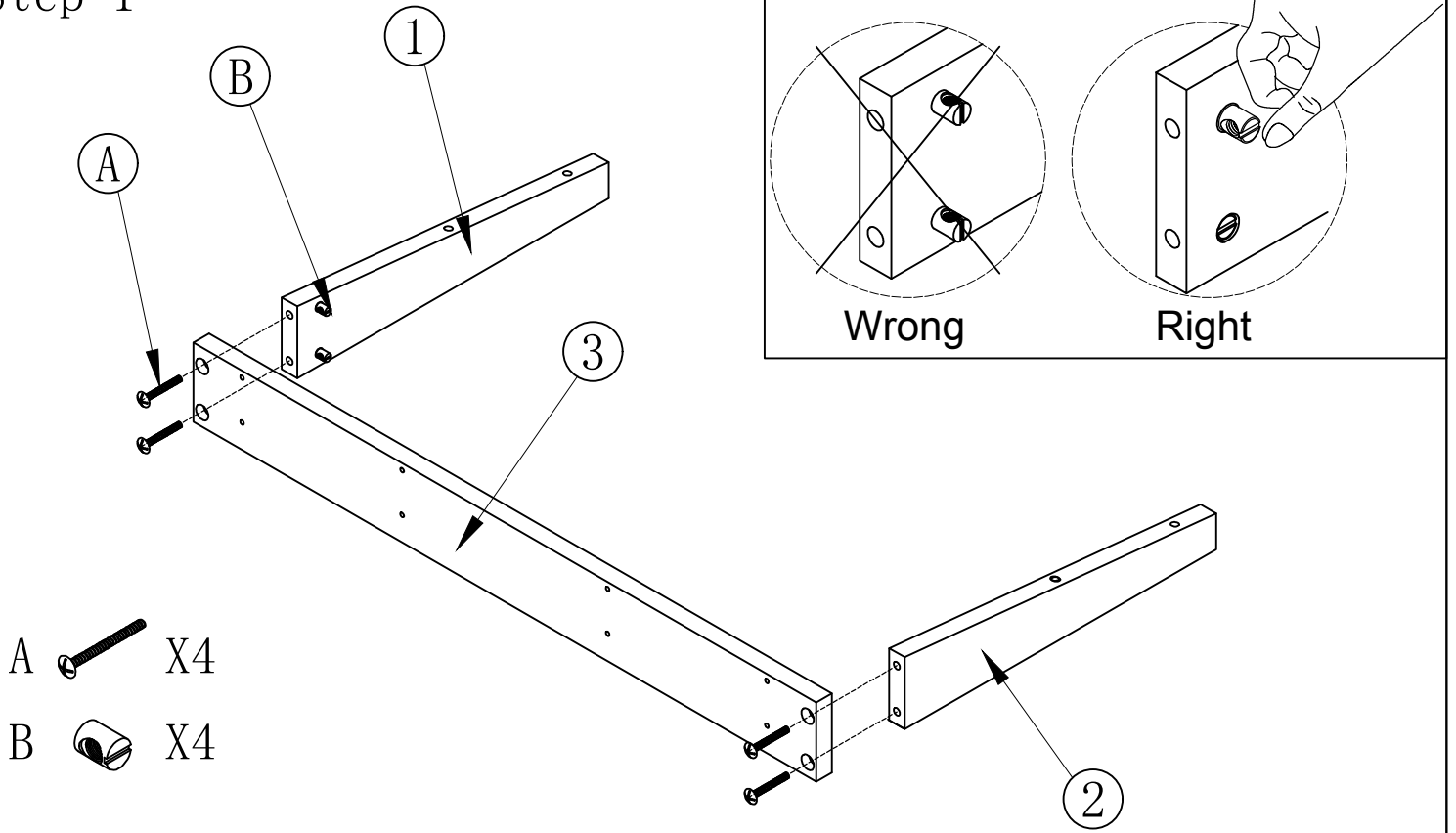




Wrong



Right

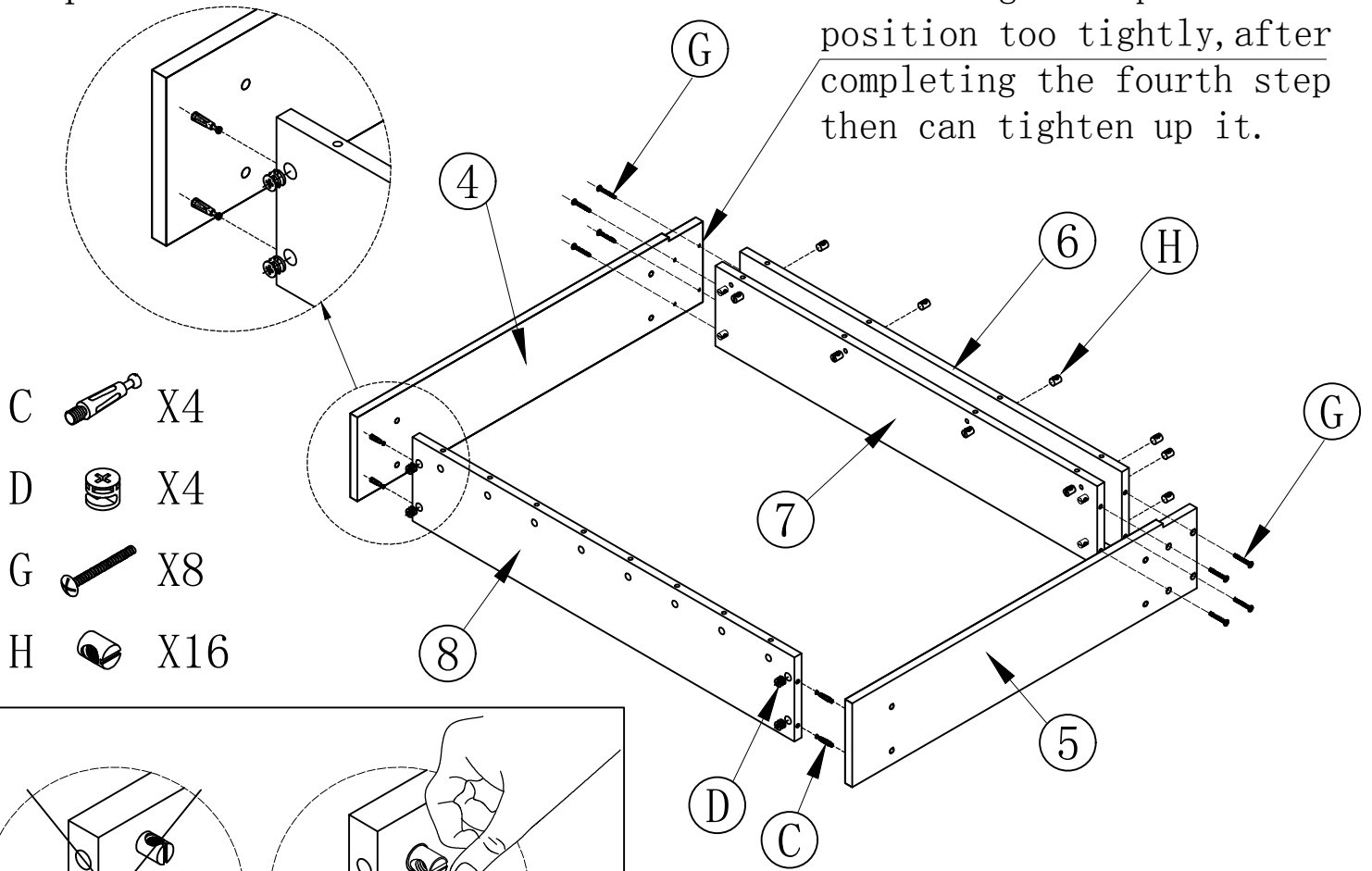
Step 1







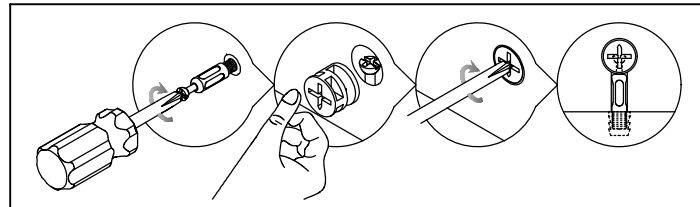
- A  X4
- B  X4

Step 2

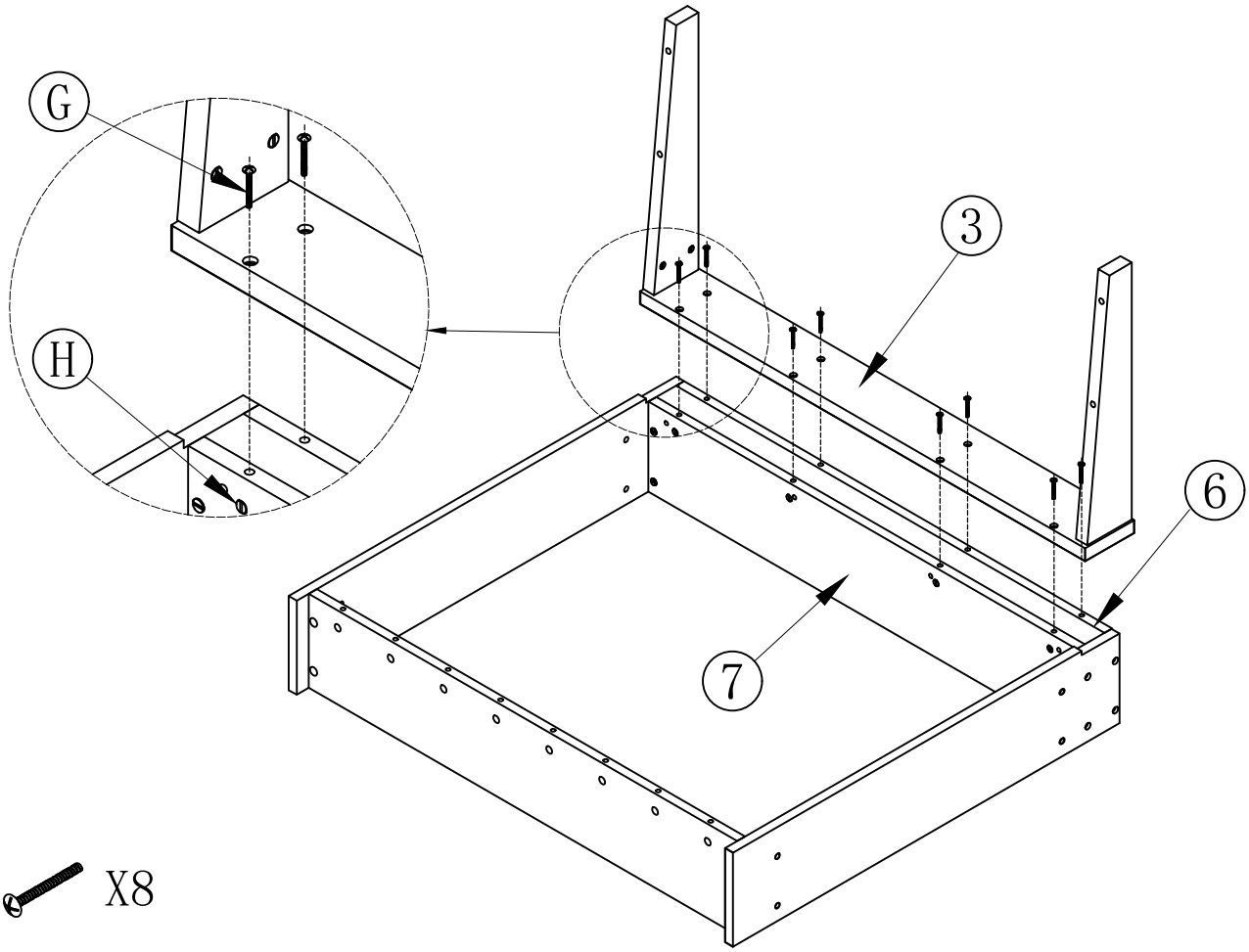
Do not tighten up this position too tightly, after completing the fourth step then can tighten up it.



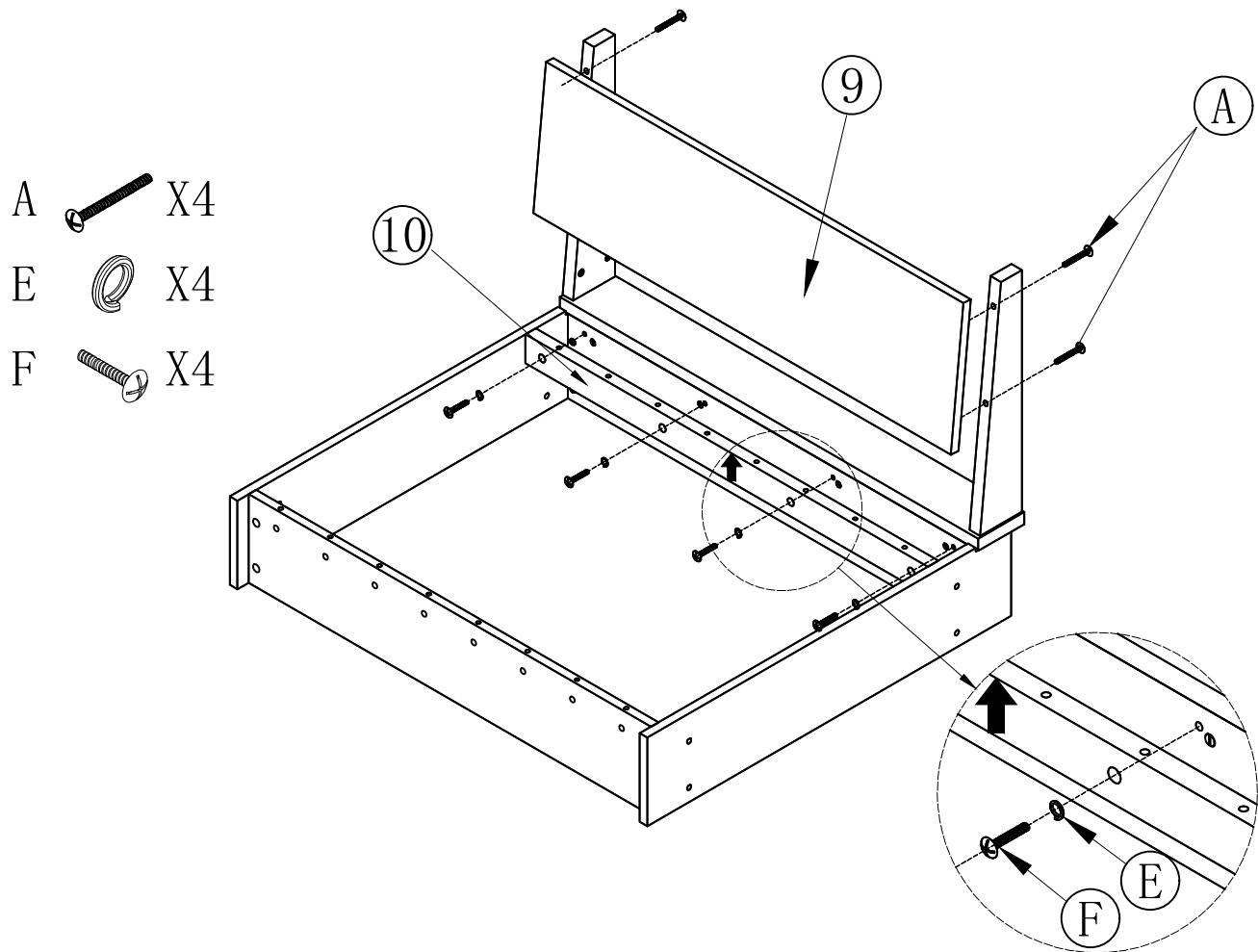
- C  X4
- D  X4
- G  X8
- H  X16



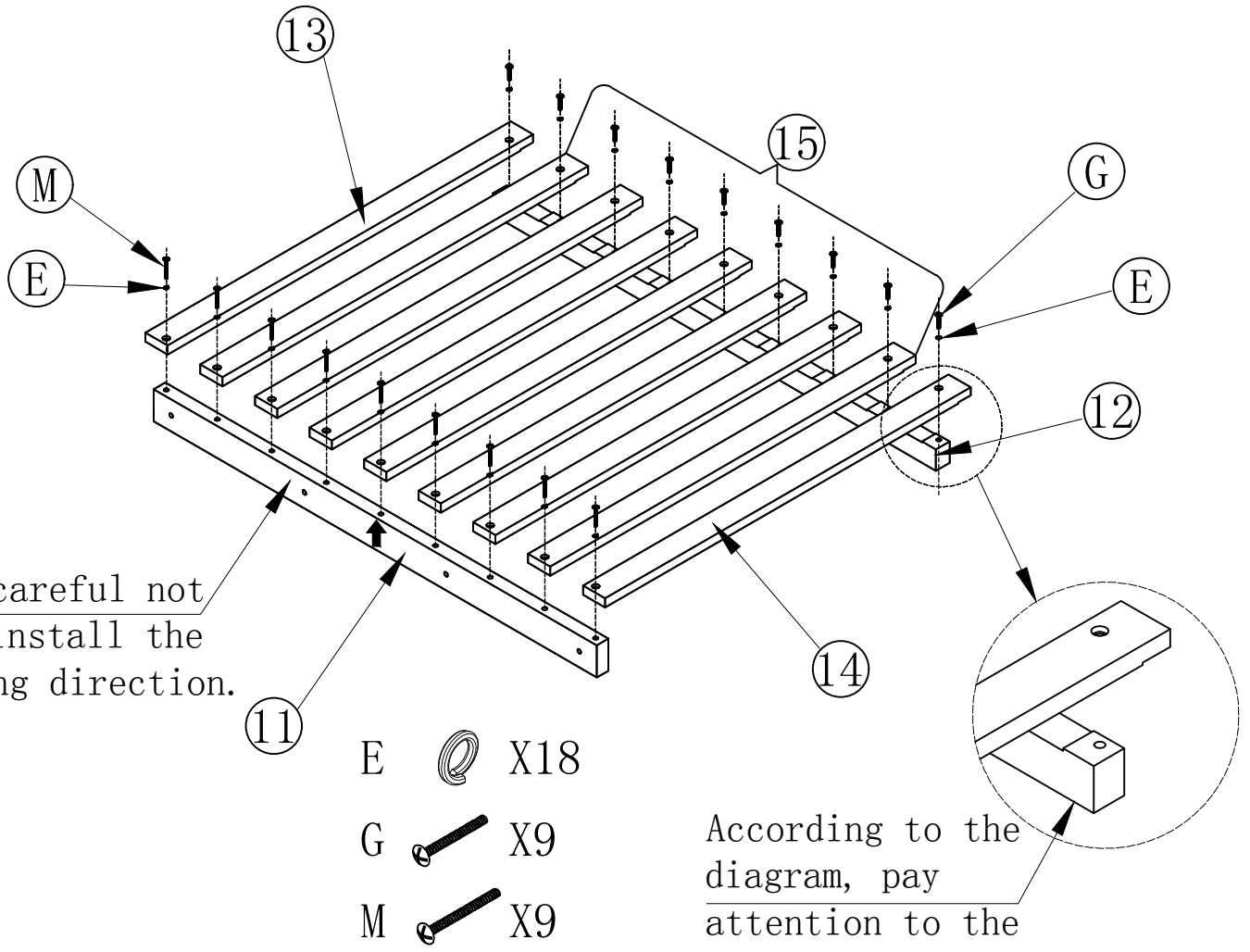
Step 3



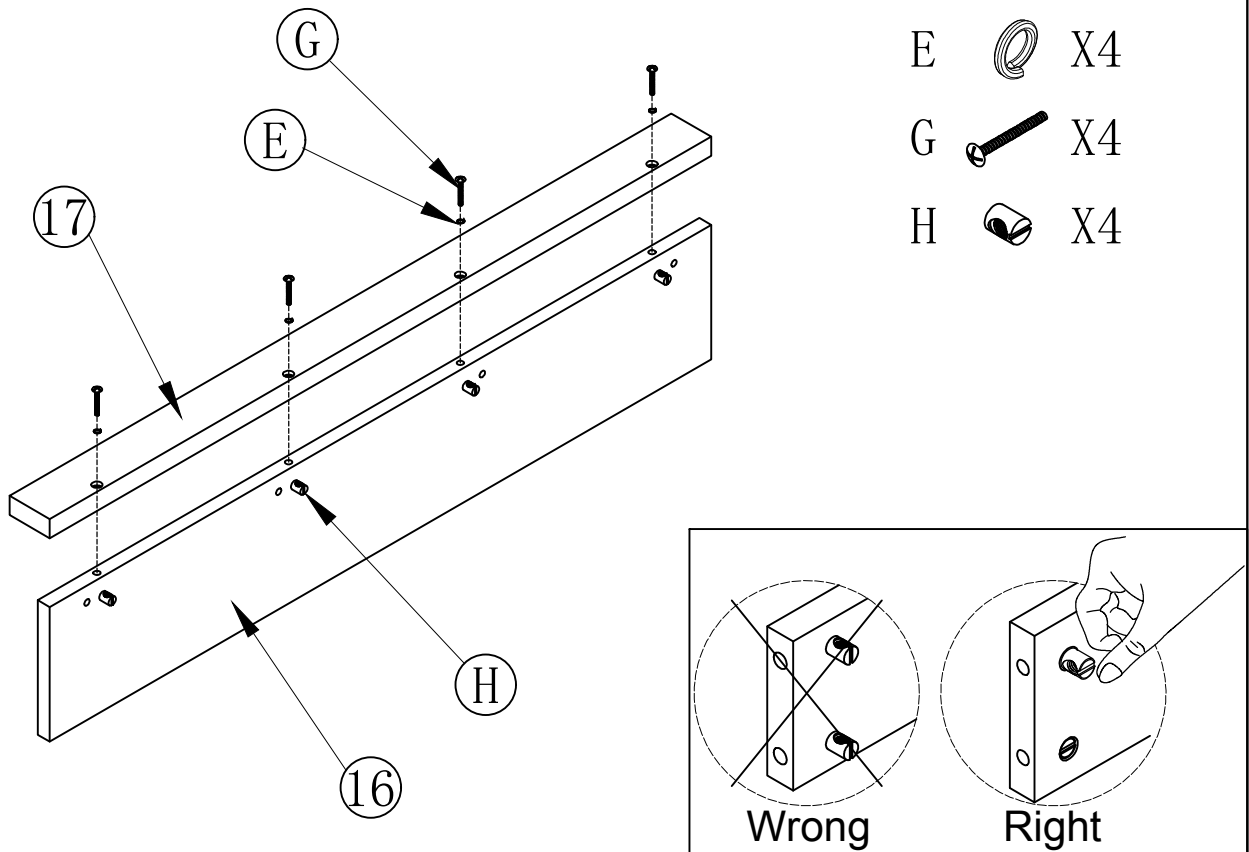
Step 4



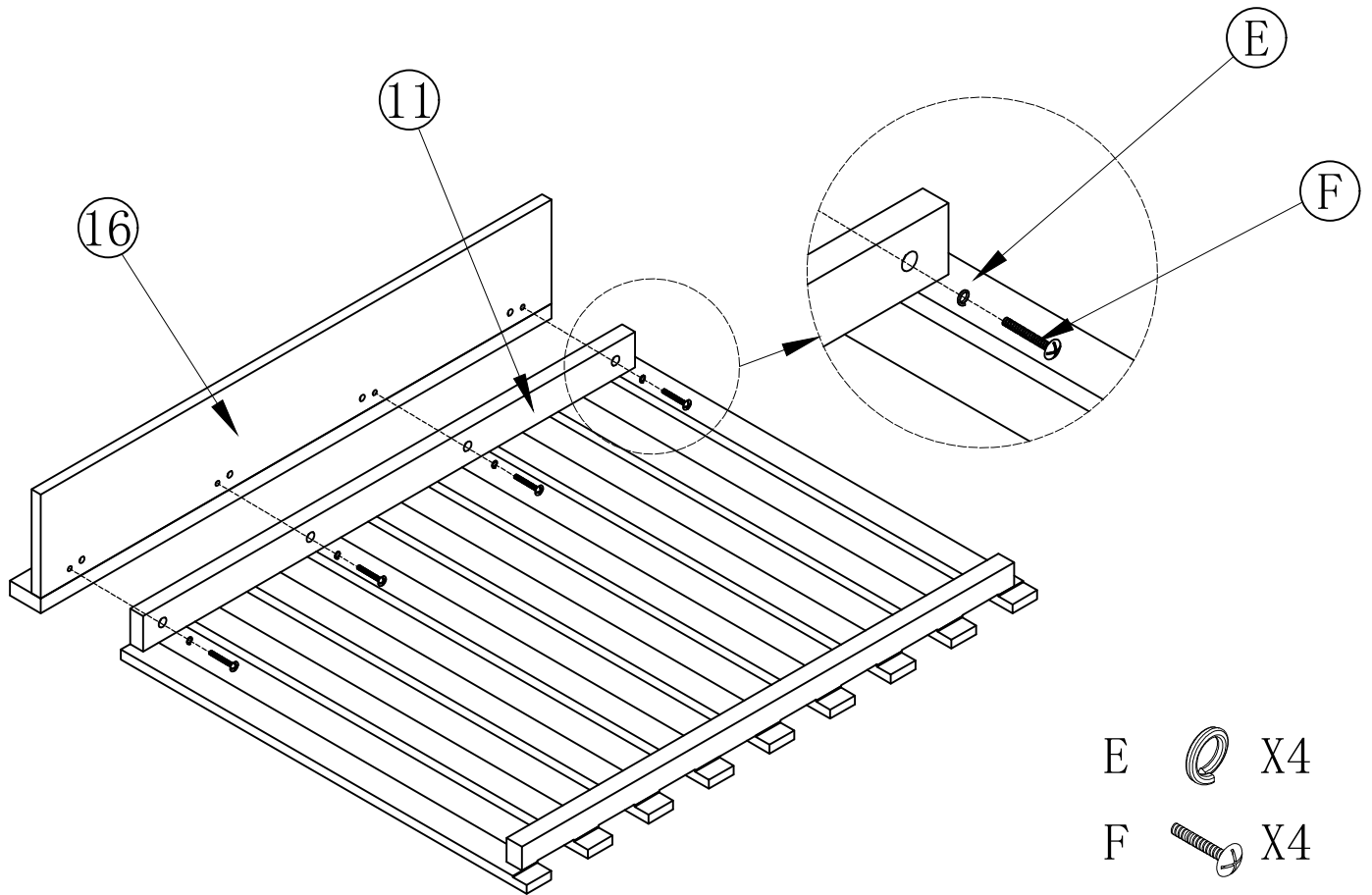
Step 5



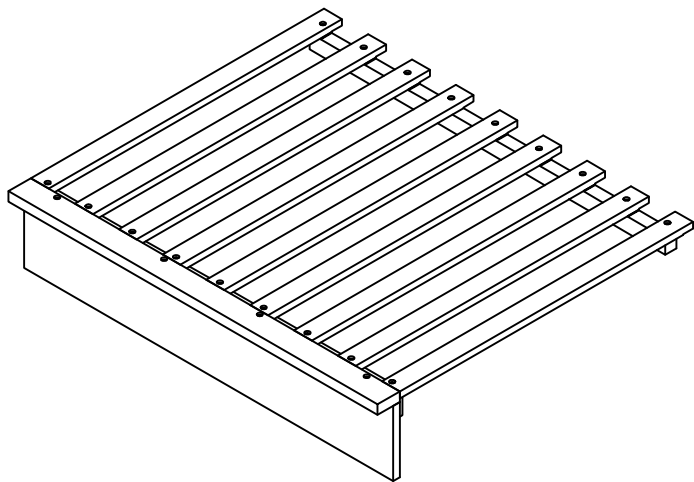
Step 6



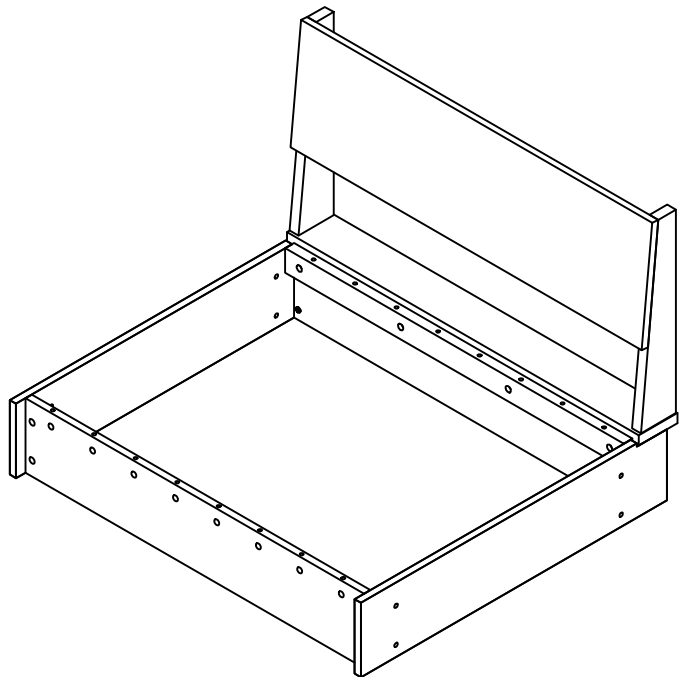
Step 7



Step 8



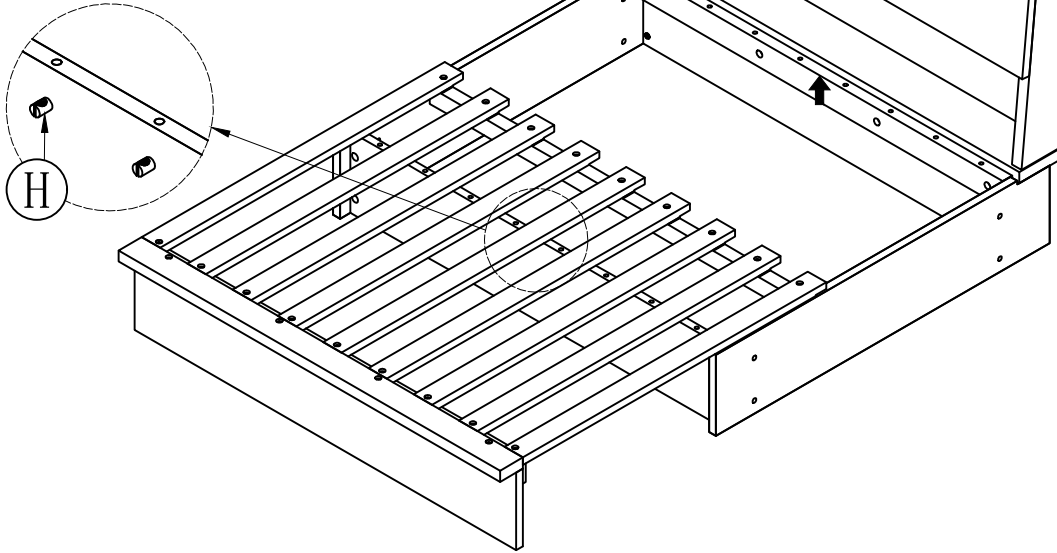
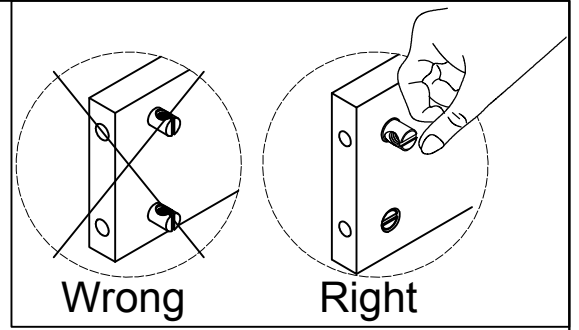
the completed assembly
extendable base frame



the completed assembly
base frame

Step 9

H  X8

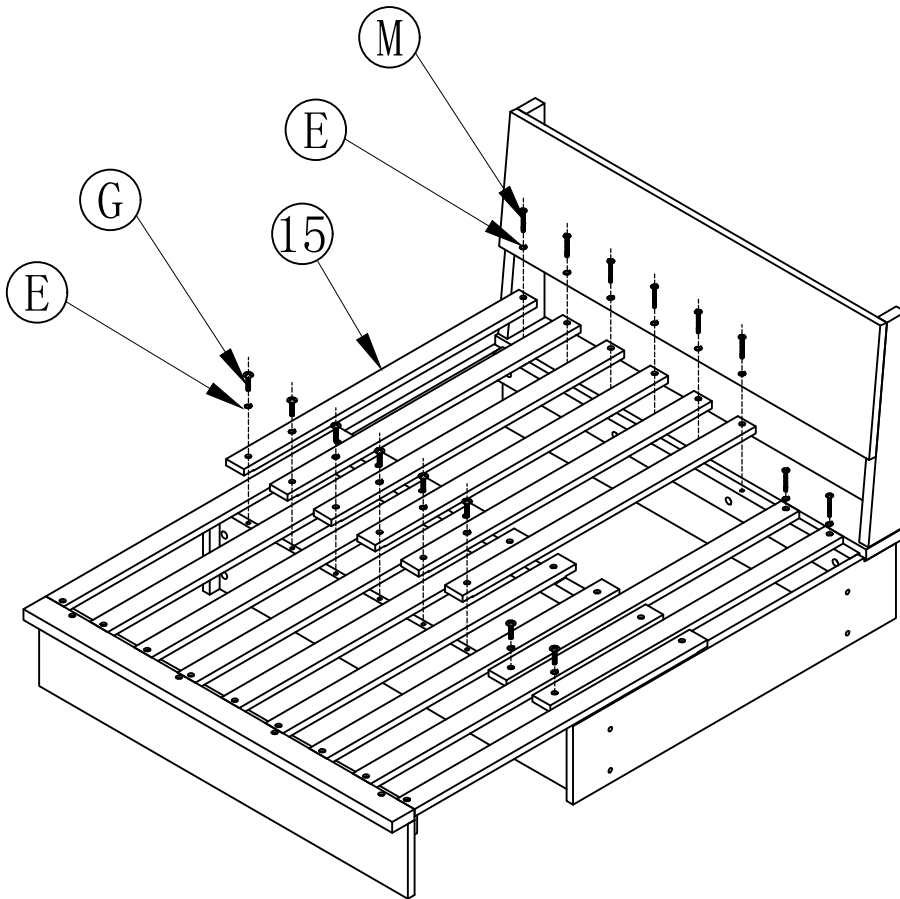


Step 10

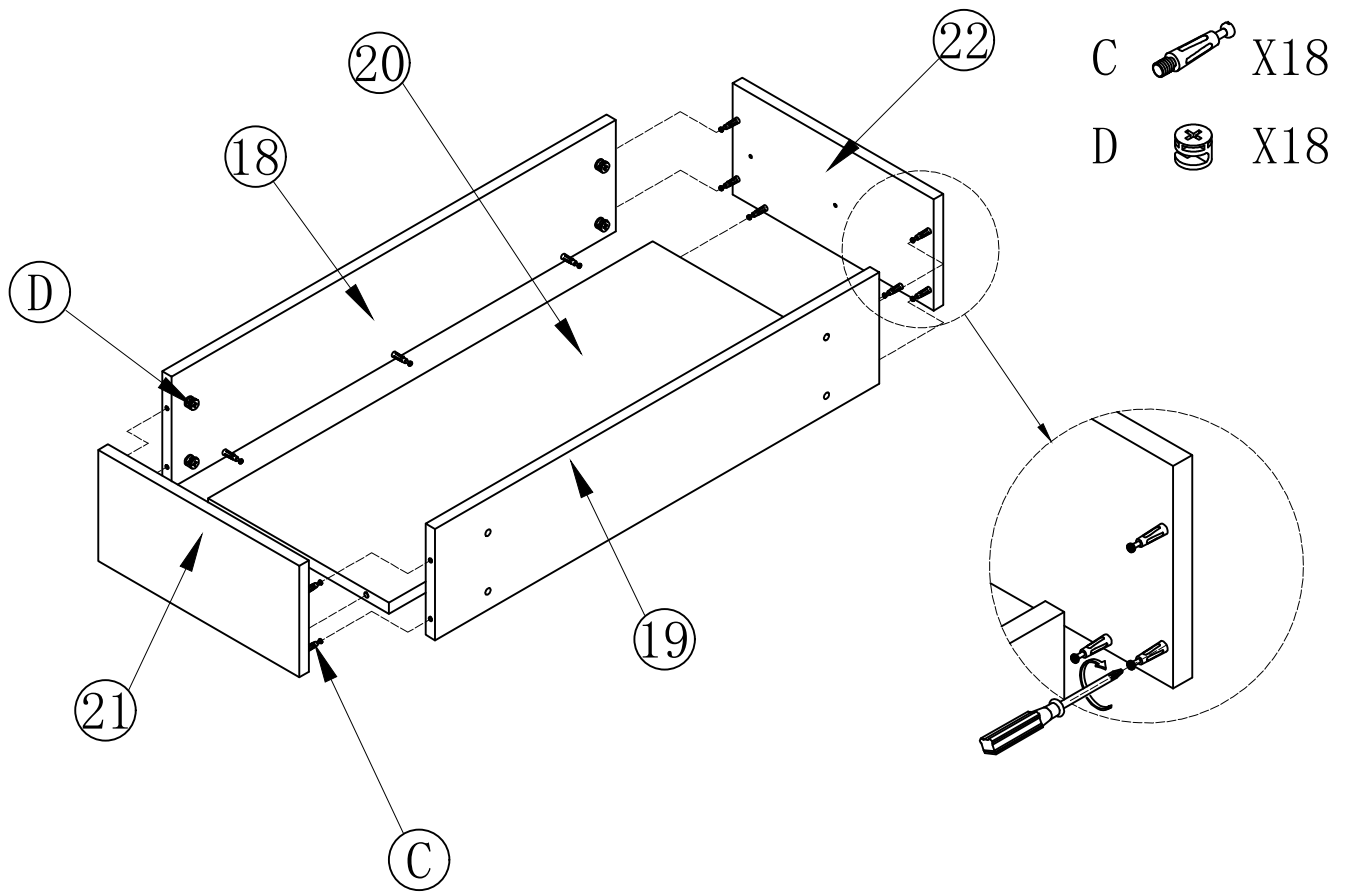
E  X16

G  X8

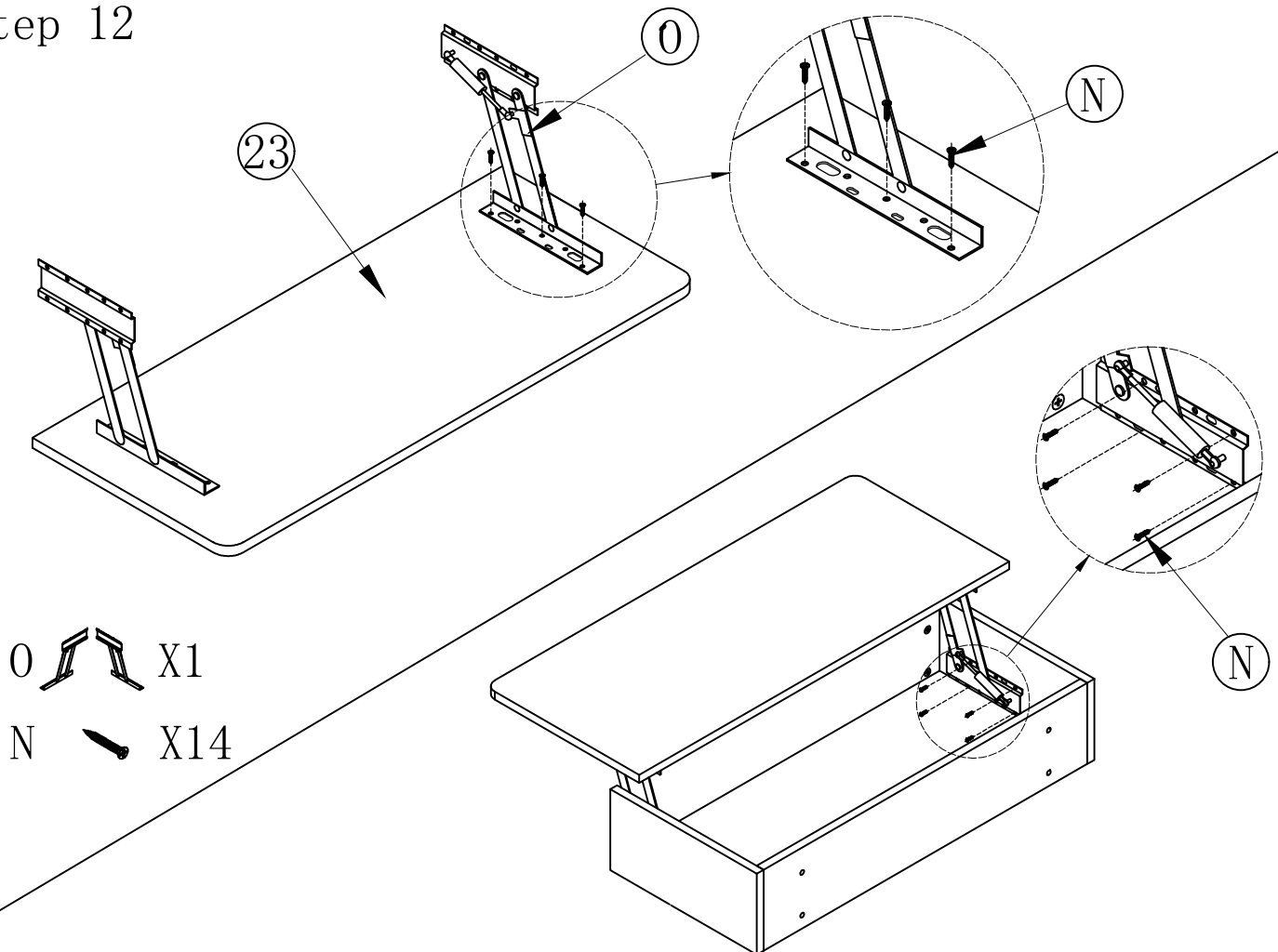
M  X8



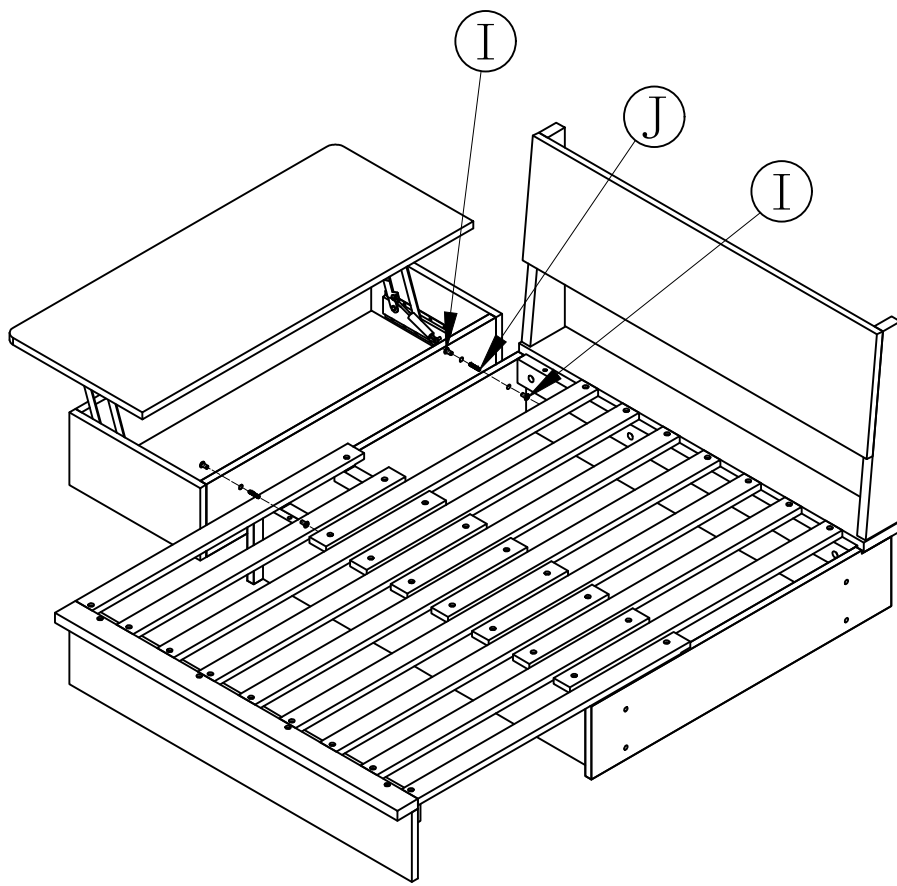
Step 11





Step 12



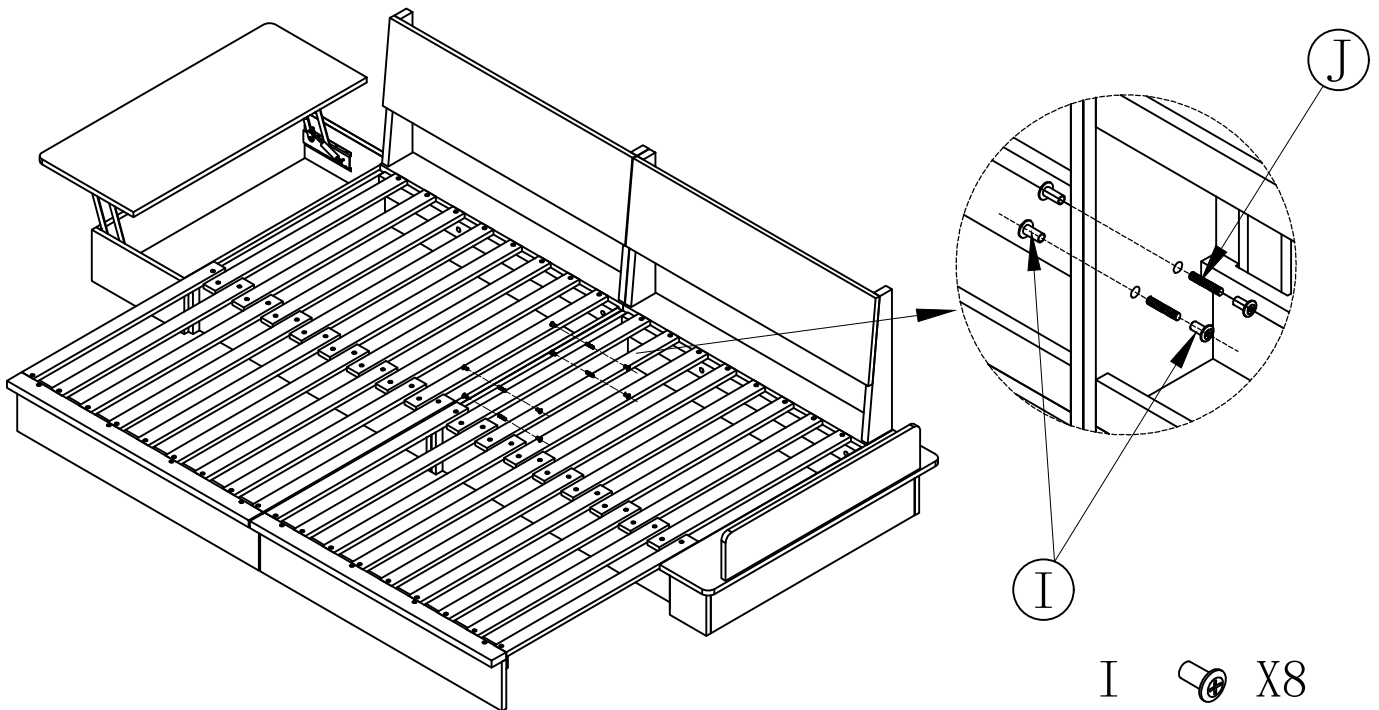
Step 13





- I  X8
- J  X4

1. Please stick the **【K】** pad on bottom
2. Align the hole position

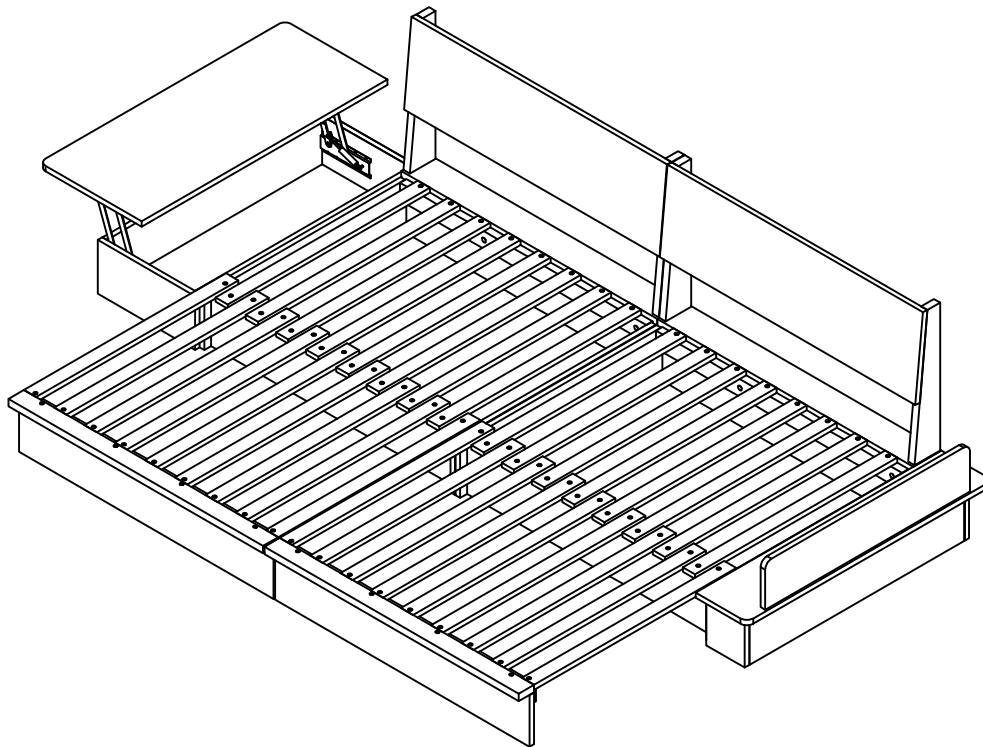
Step 14



- I  X8
- J  X4

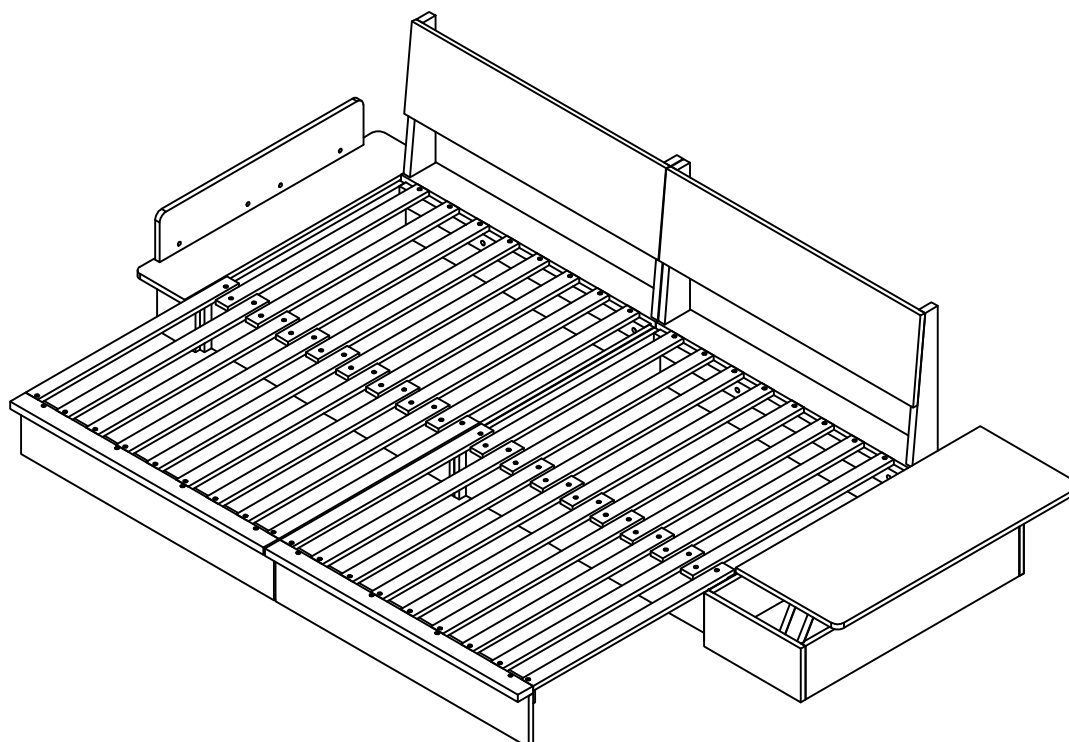
Extend the bottom frame and align the hole position

Step 15



The armrest is reversible

Step 16



The armrest is reversible