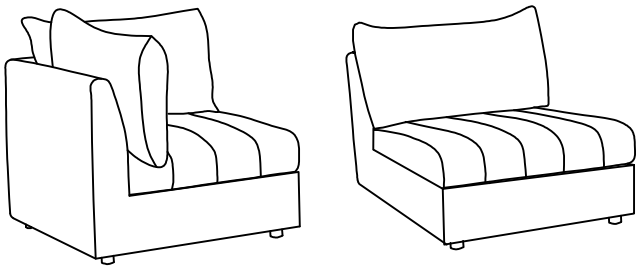


ASSEMBLY INSTRUCTIONS



+ Do Not Use Power Tools



+ Suggested Adults



NOTE:For questions about parts or assembly please email support@meridianfurnitureusa.com or call us at 718-758-4455.

- 1 Read instructions cover to cover.
- 2 Save all packaging until assembly is completed.

1 IMPORTANT SAFETY INFORMATION

Do not assemble the product if any of the following parts arrived damaged:

- | | |
|--------|------------------------------|
| part # | - Corner base |
| part # | - Corner seat cushion |
| part # | - Armless chair base |
| part # | - Armless chair seat cushion |
| part # | - Corner back cushion |
| part # | - Armless back cushion |
| part # | - Leg |

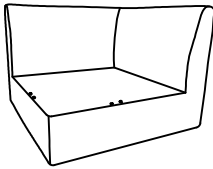
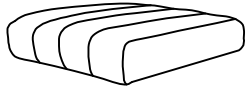
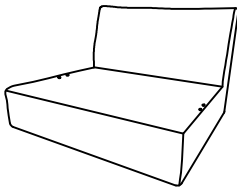
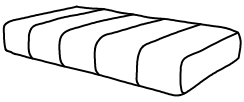



Do not assemble if any of the following Hardware parts are missing:

- | | |
|--------|-----------------------|
| part # | - Allen wrench |
| part # | - Bolt M8"*35mm |
| part # | - Washer M8*16mm |
| part # | - Connect metal plate |




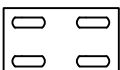
2 IMPORTANT ASSEMBLY INFORMATION

Assembly Step If loosening persists, please make sure to tighten all the bolts periodically, or use a thread locker adhesive.

+ Parts Included

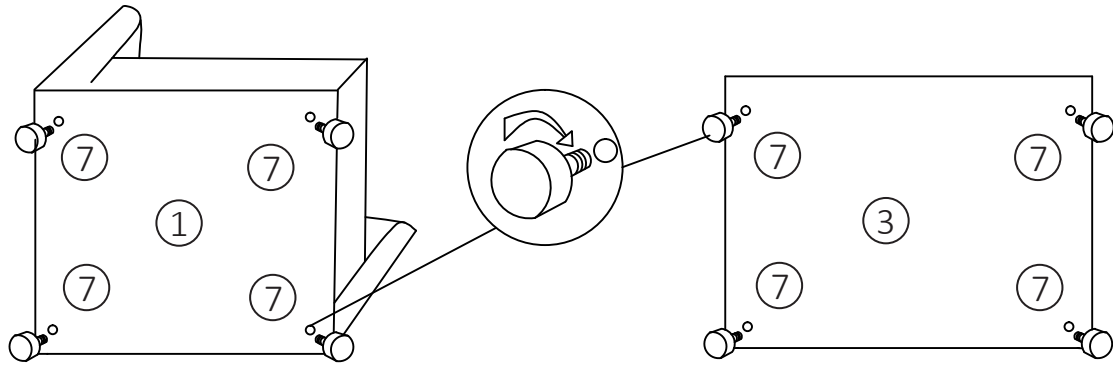
- | | |
|--------------------------------------------------------------------------------------|---------------------------------------------------------------------------------------|
| ① Corner base
1pc | ② Corner seat cushion
1pc |
|  |  |
| ③ Armless chair base
1pc | ④ Armless chair seat cushion
1pc |
|  |  |
| ⑤ Corner back cushion
2pcs | ⑥ Armless back cushion
1pc |
|  |  |
| ⑦ Leg
8pcs |  |

+ Hardware Included

- | | |
|--------------------------------------------------------------------------------------|---------------------------------------------------------------------------------------|
| A Allen wrench
1pc | B Bolt M8"*35mm
8pcs |
|  |  |
| C Washer M8*16mm
8 pcs | D Connect metal plate
100*75*18mm
2 pcs |
|  |  |

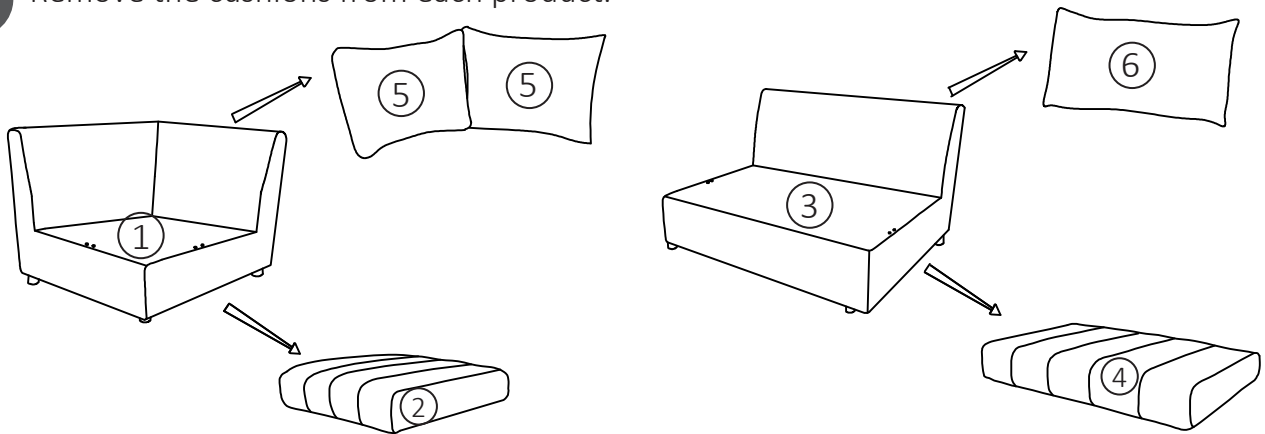
ASSEMBLY INSTRUCTIONS

1



2

Remove the cushions from each product.



3

Assemble connect metal plate, then put cushions back on the seat.

