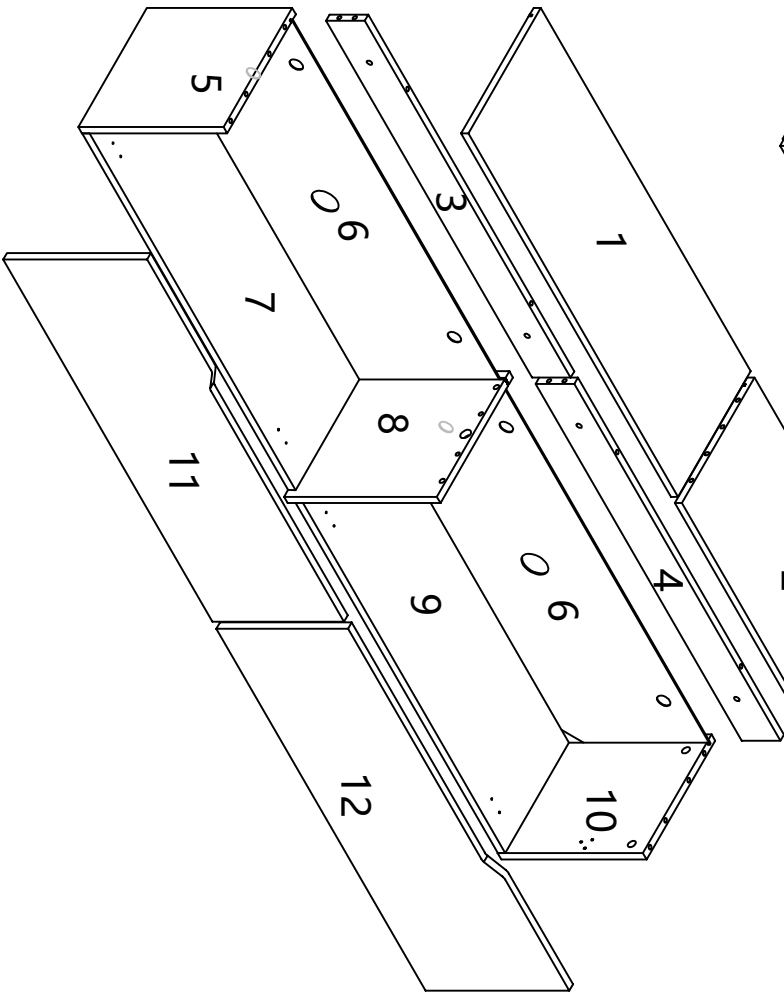
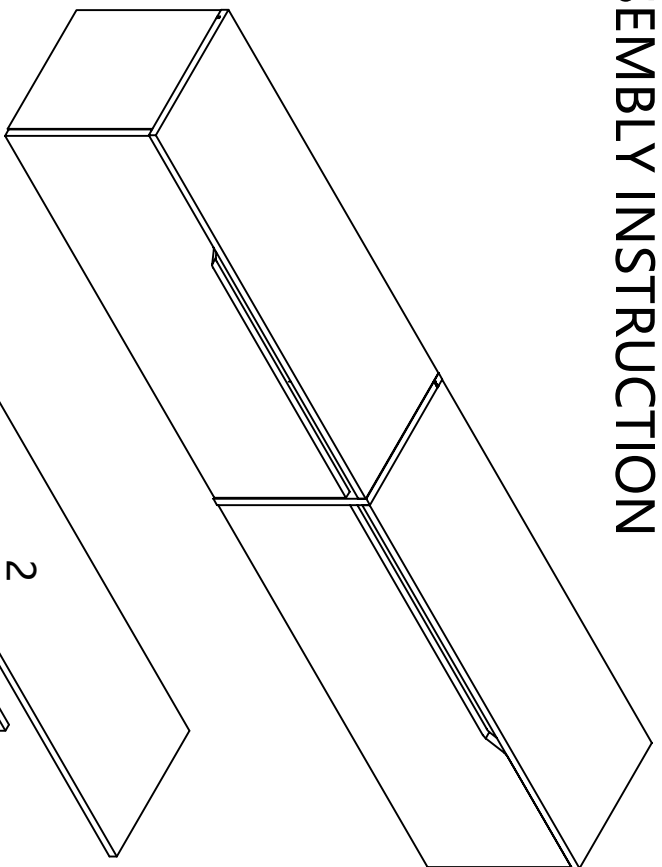
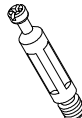

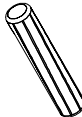



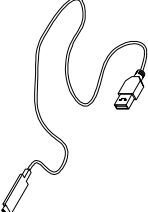

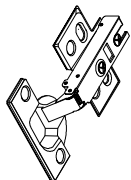




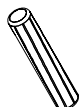
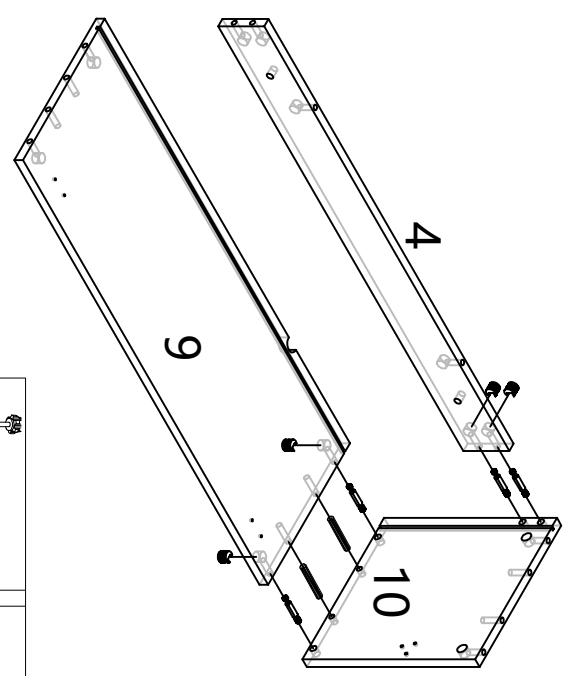
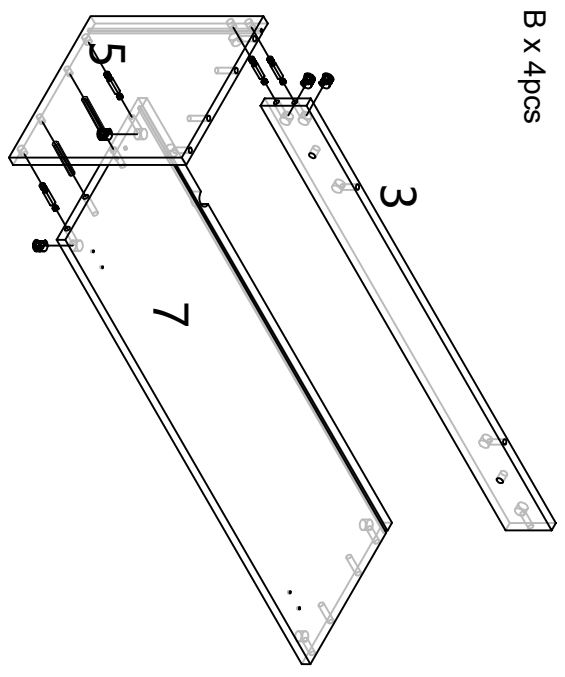


ASSEMBLY INSTRUCTION

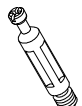

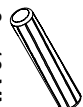


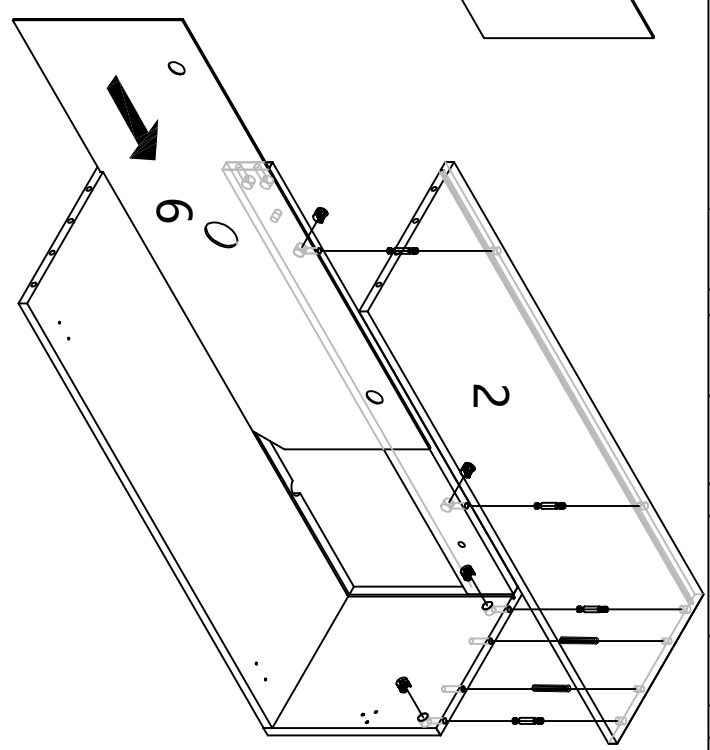
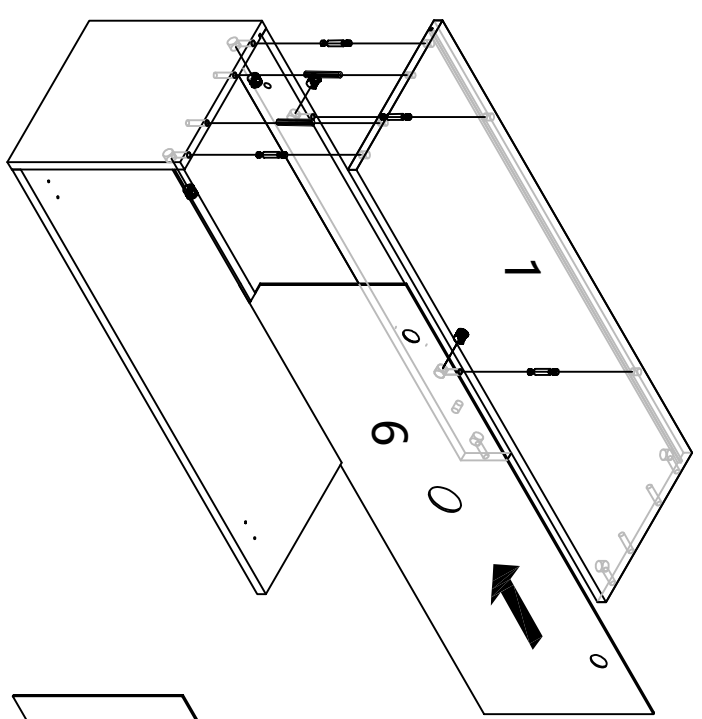
<p>A x 27 sets</p> <p>A1 </p> <p>A2 </p>	<p>B x 16 pcs</p> <p>8 x 40 MM </p>	<p>C x 34 pcs</p> <p>4 x 14 MM </p>
<p>D x 1 set</p>  		
<p>E x 8 pcs</p> 	<p>F x 4 pcs</p> 	<p>G x 4 sets</p> 
<p>H x 2 pcs</p> 		

-  A1
-  A2
- A X8sets
-  8 x 40 MM
- B X 4pcs

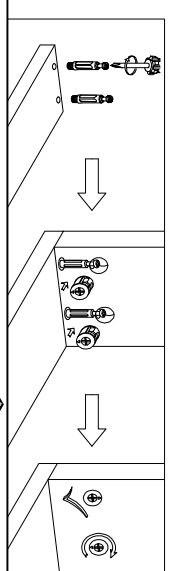


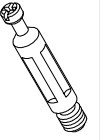
STEP1

-  A1
-  A2
- A X8sets
-  8 x 40 MM
- B X 4pcs



STEP2



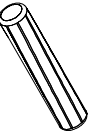


A1



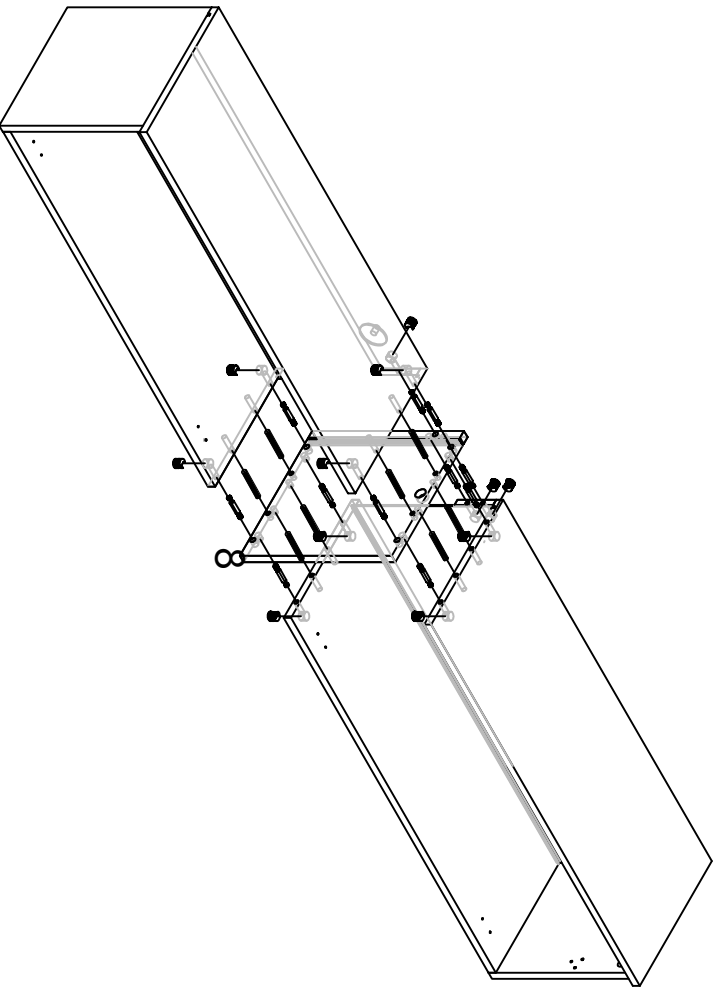
A2

A x 11sets

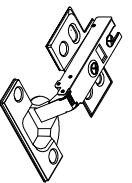
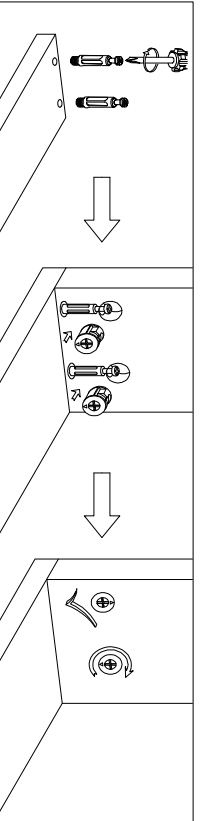


8 x 40 MM

B x 8pcs



STEP3

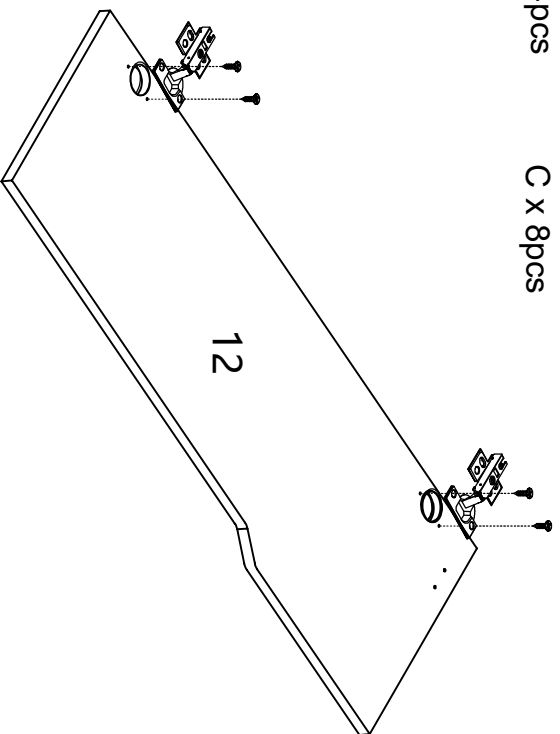


F x 4pcs

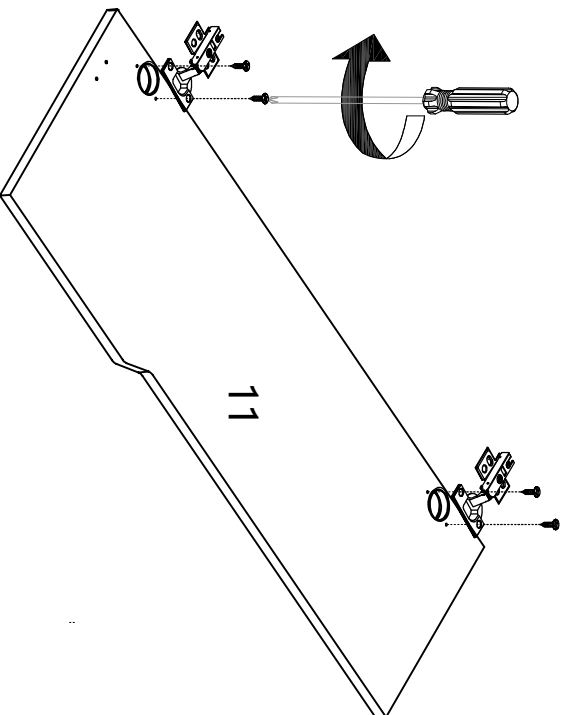


4 x 14 MM

C x 8pcs



12



11

STEP4

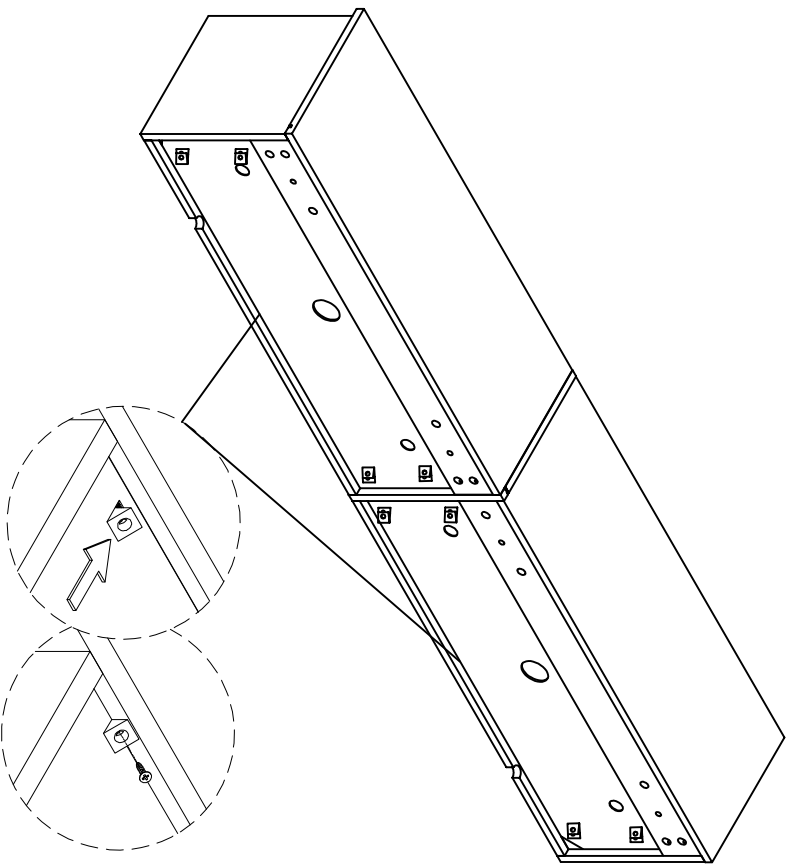


E x 8pcs



4 x 14 MM

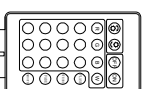
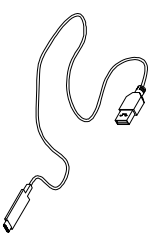
C x 8pcs



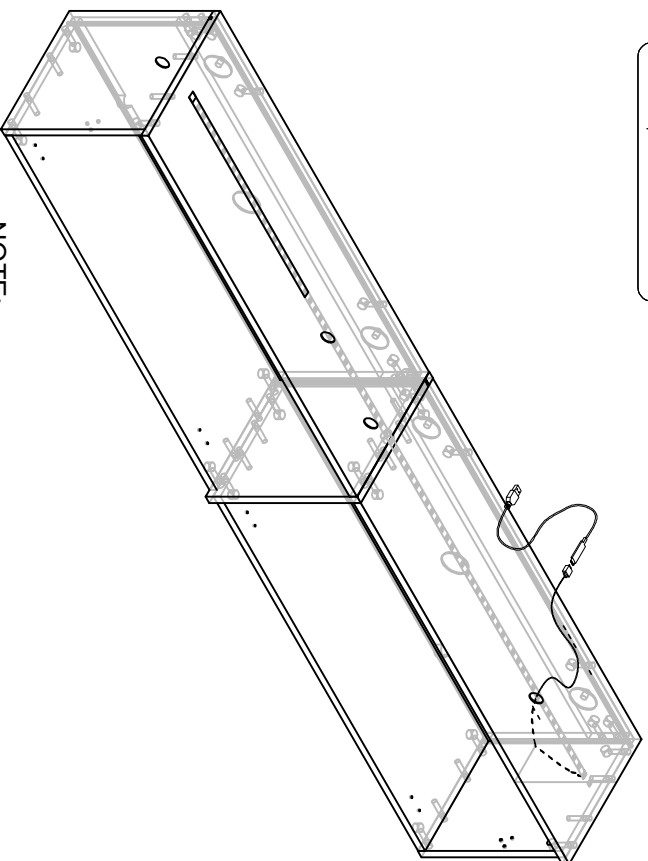
STEPS



D x 1set



Put out the plastic sheet before use.

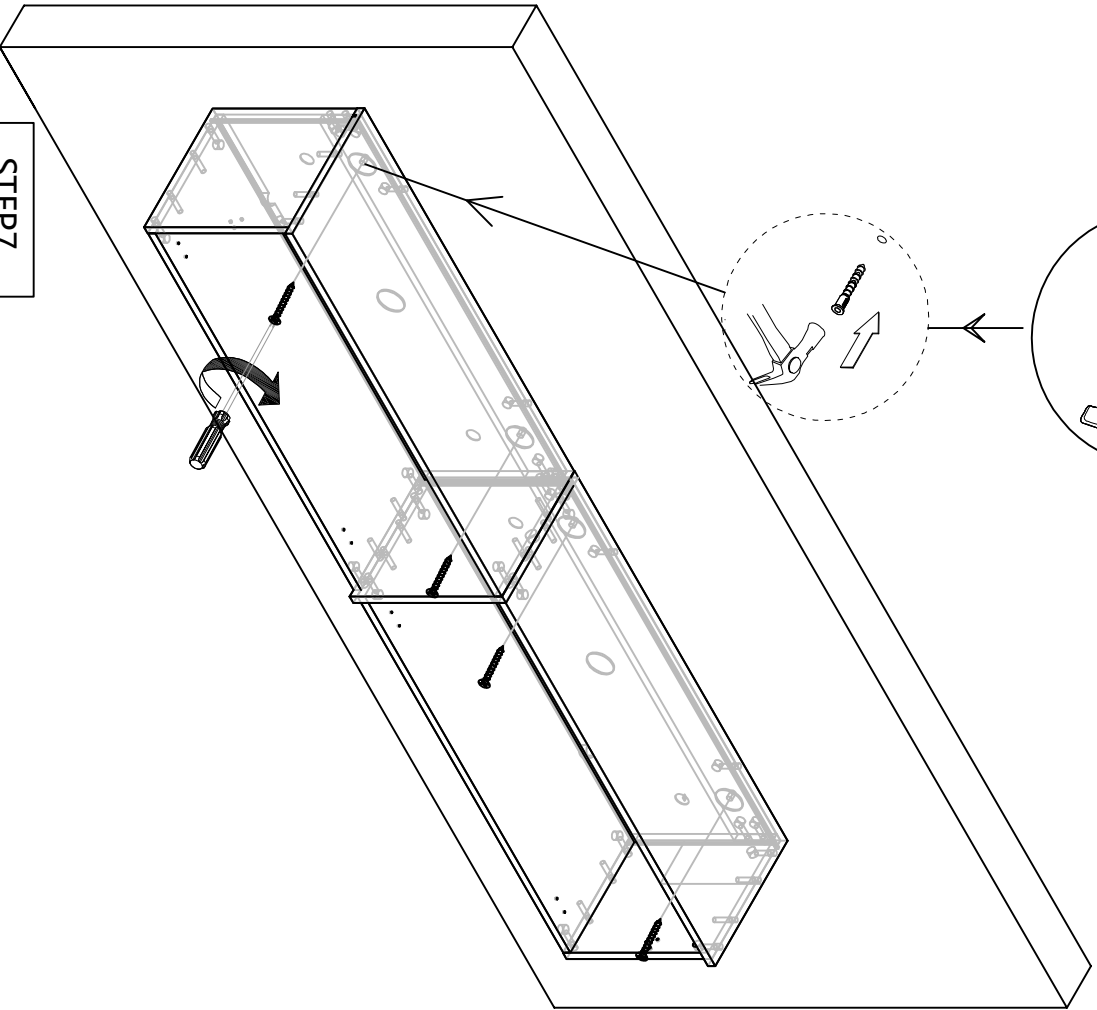
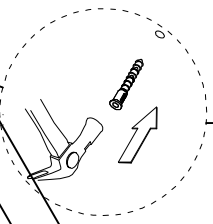
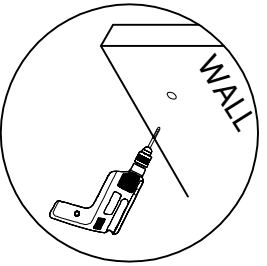
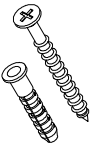


NOTE:

1. Peel off the 3M tape cover and paste the strop in the back of NO. 1;
2. Choose USB power supply or plug power supply according to customer requirements

STEP6

G x 4sets



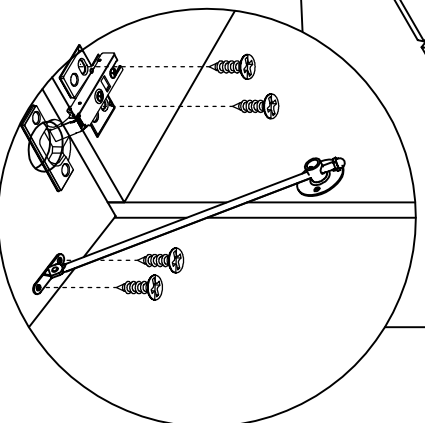
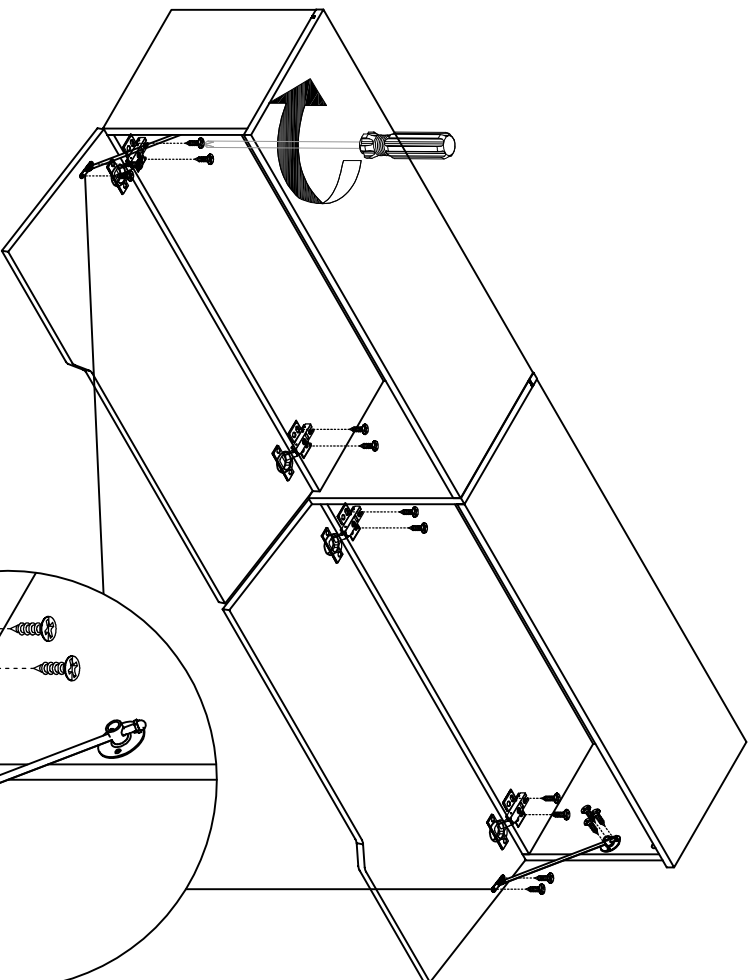
STEP7

C x 18pcs

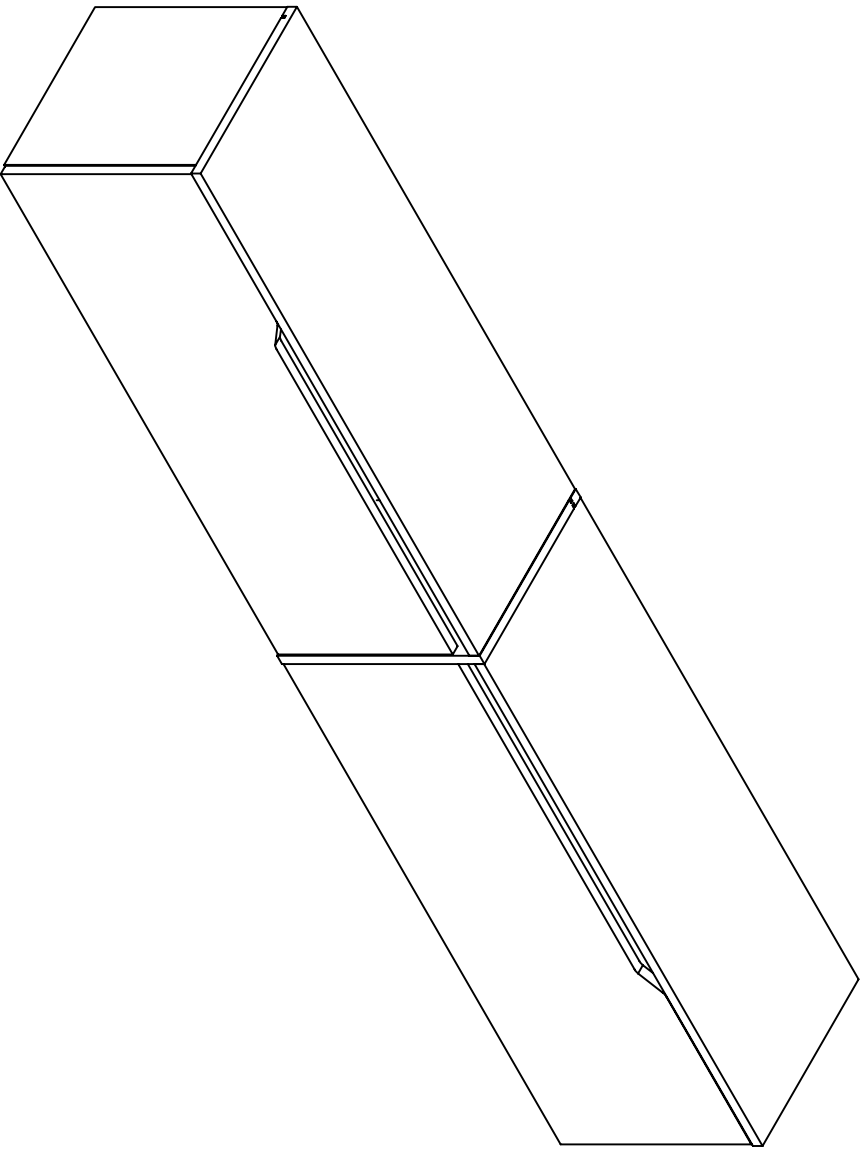
4 x 14 MM



H x 2pcs



STEP8



Completed

STEP9