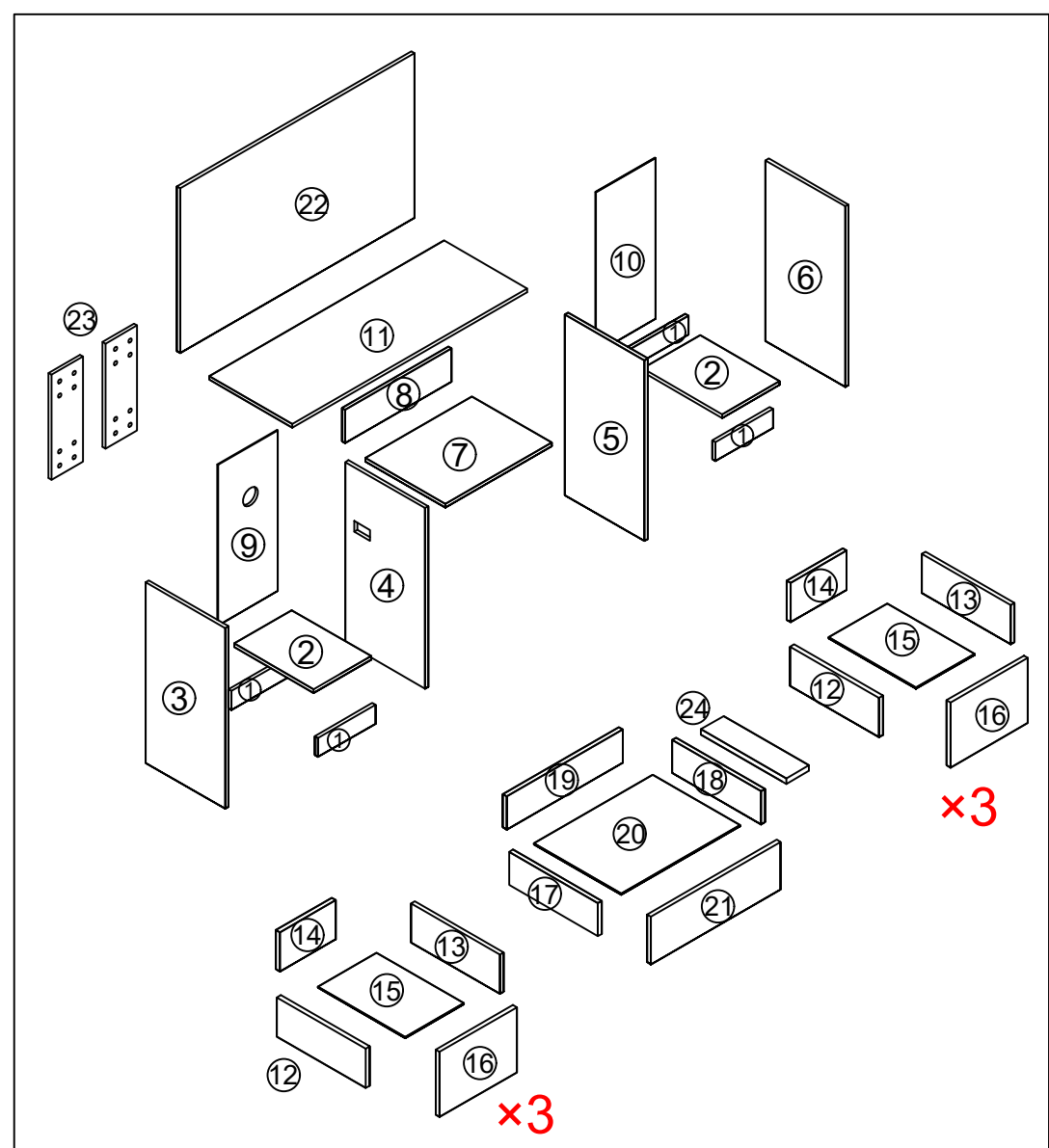
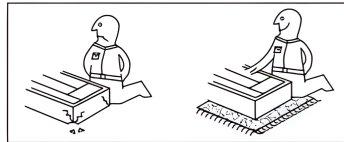
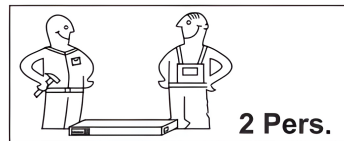
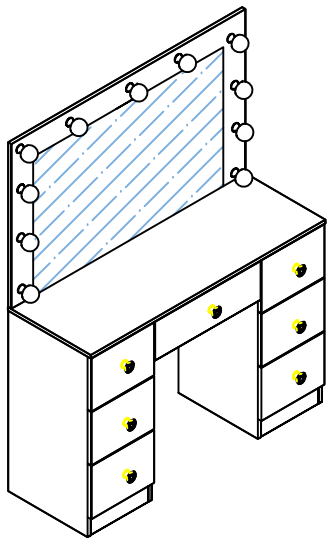




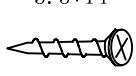

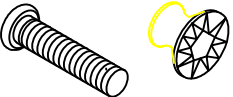
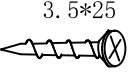
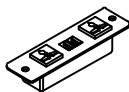
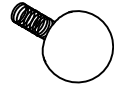
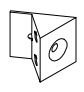
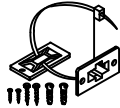

# ASSEMBLY INSTRUCTION

- It would be best if you set aside and organize all pieces & corresponding "nuts/bolts" first.
- Please follow the instructions to assemble the items correctly.
- Could be assembled by one person, but would recommend two.
- Please ensure the safety of the glass when assembling.
- Do not make the screws too loose or too tight.
- As shown in the figure, Insert the screw into the hole.  
The arrow in the picture, Then rotate 90° or 180° clockwise.
- The remaining parts are spare parts.

## SAFETY INFORMATION

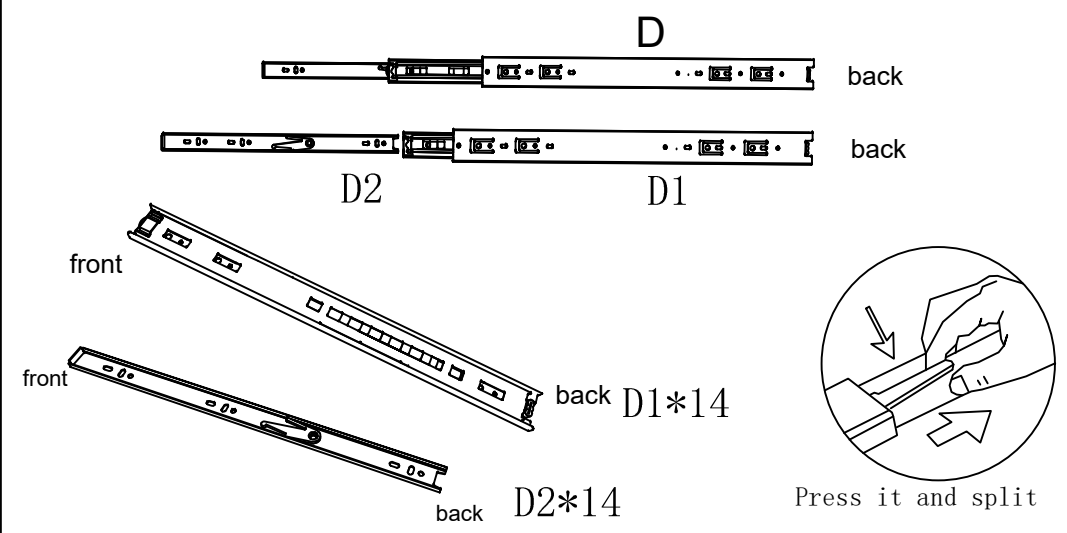
- The accessory bag contains some small accessories, which should be kept away from children.
- Kids are not allowed to climb or play with the product for safety reasons



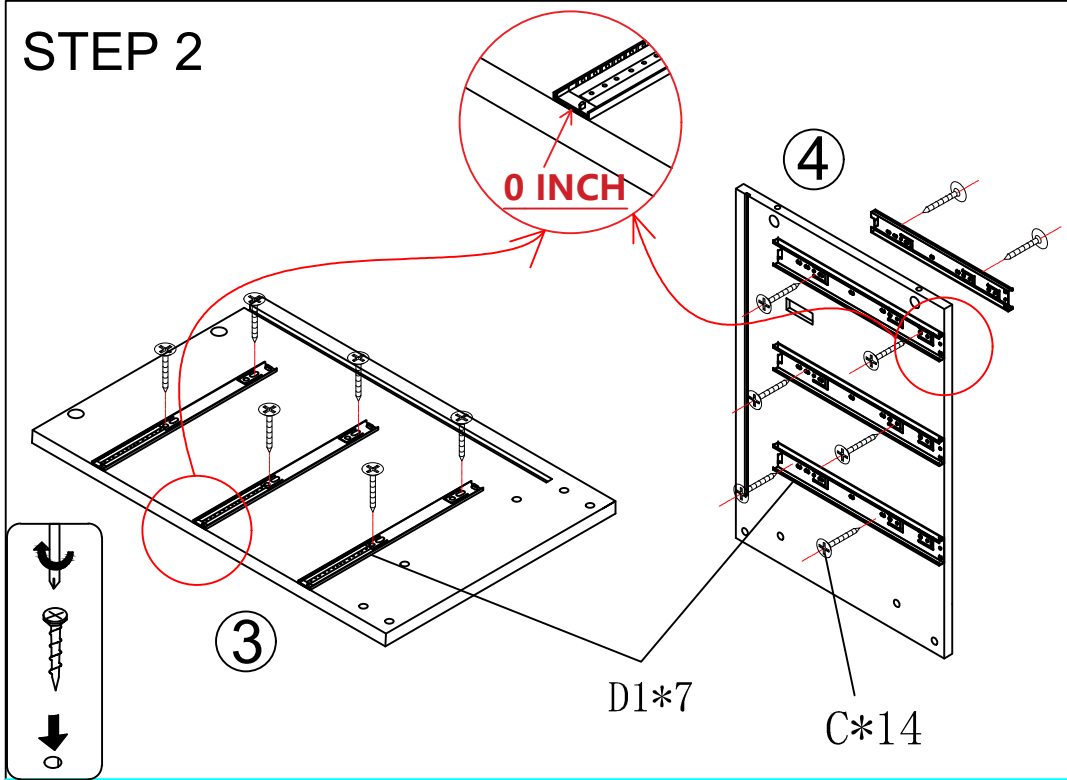
 A*108	 B*108	 3.5*14 C*70	 D*7	 E*7
 3.5*25 F*16	 G*1	 H*11	 I*12	 J*2
				 *50

# STEP 1

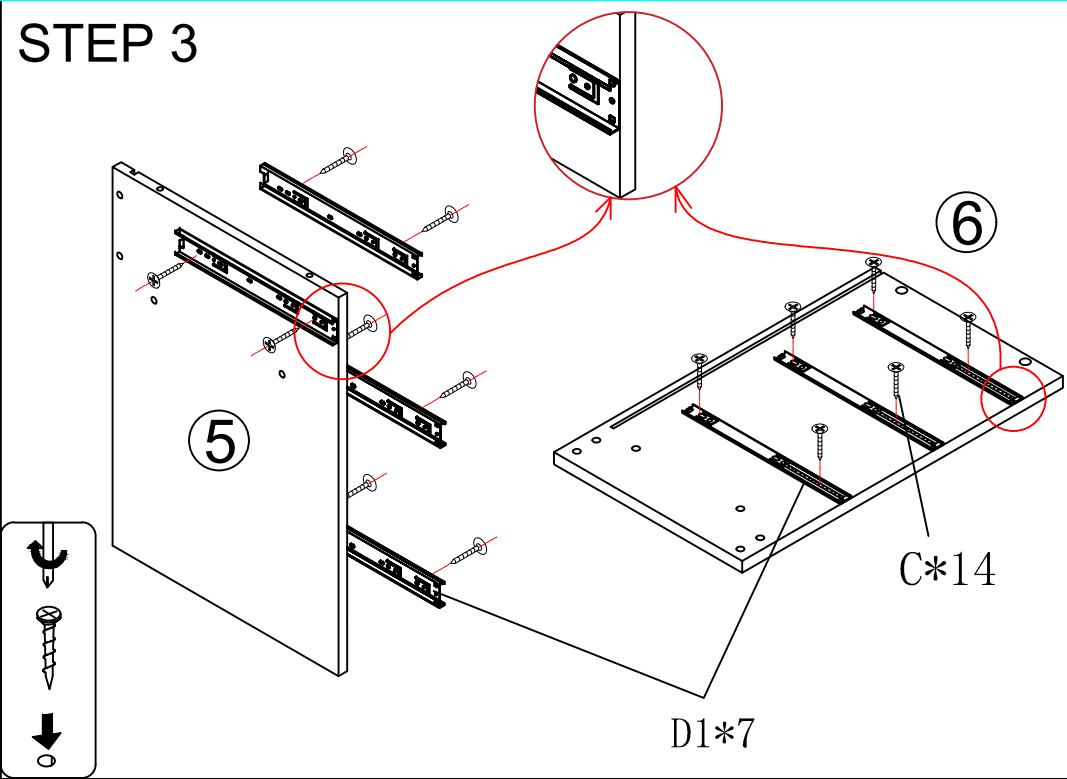
Warm Reminder:  
Before installing the drawer rail,  
you need to separate the D1 and D2 first.



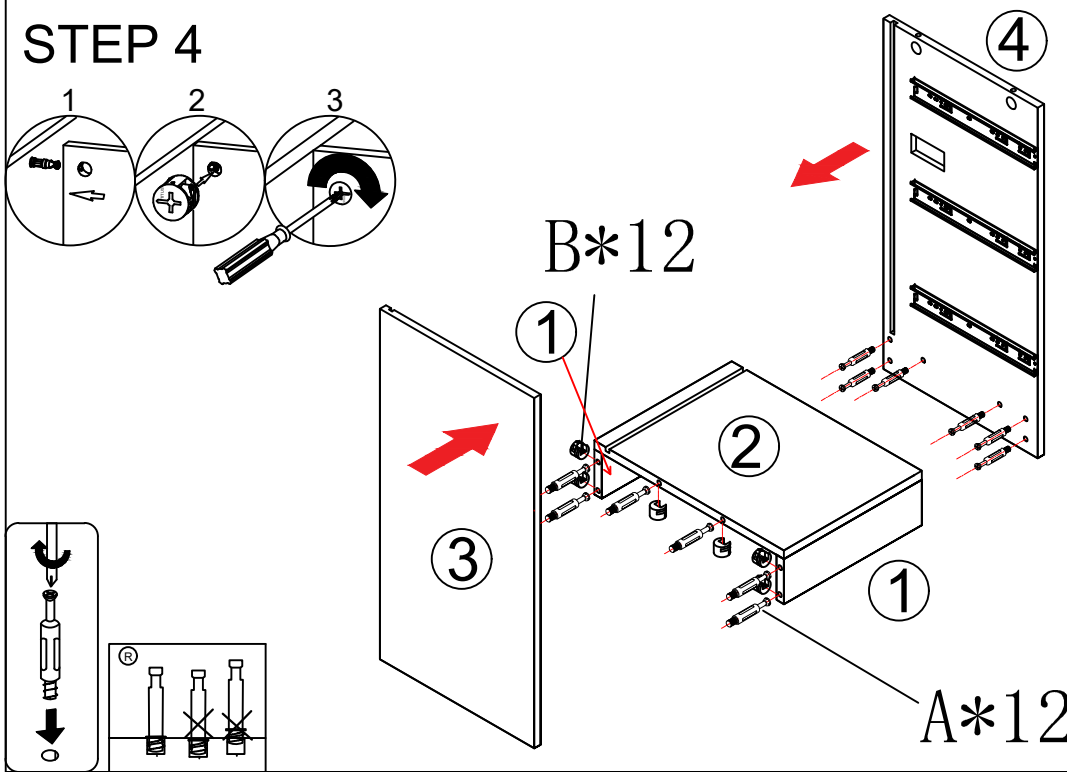
# STEP 2



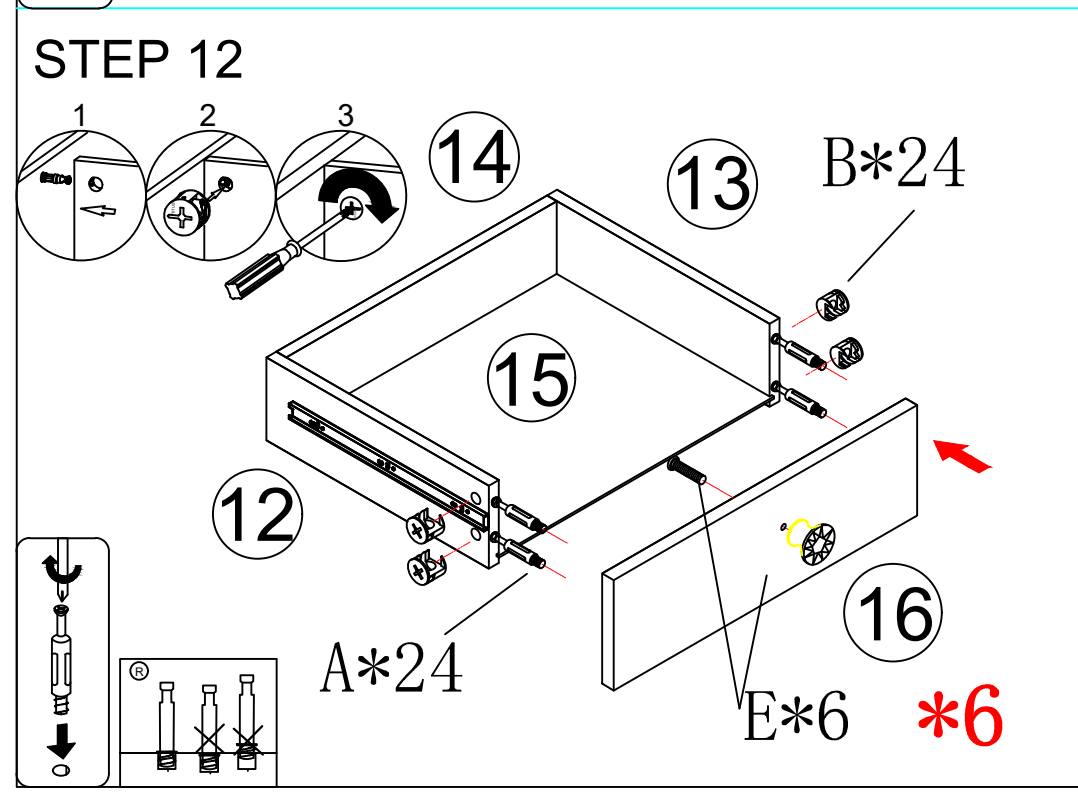
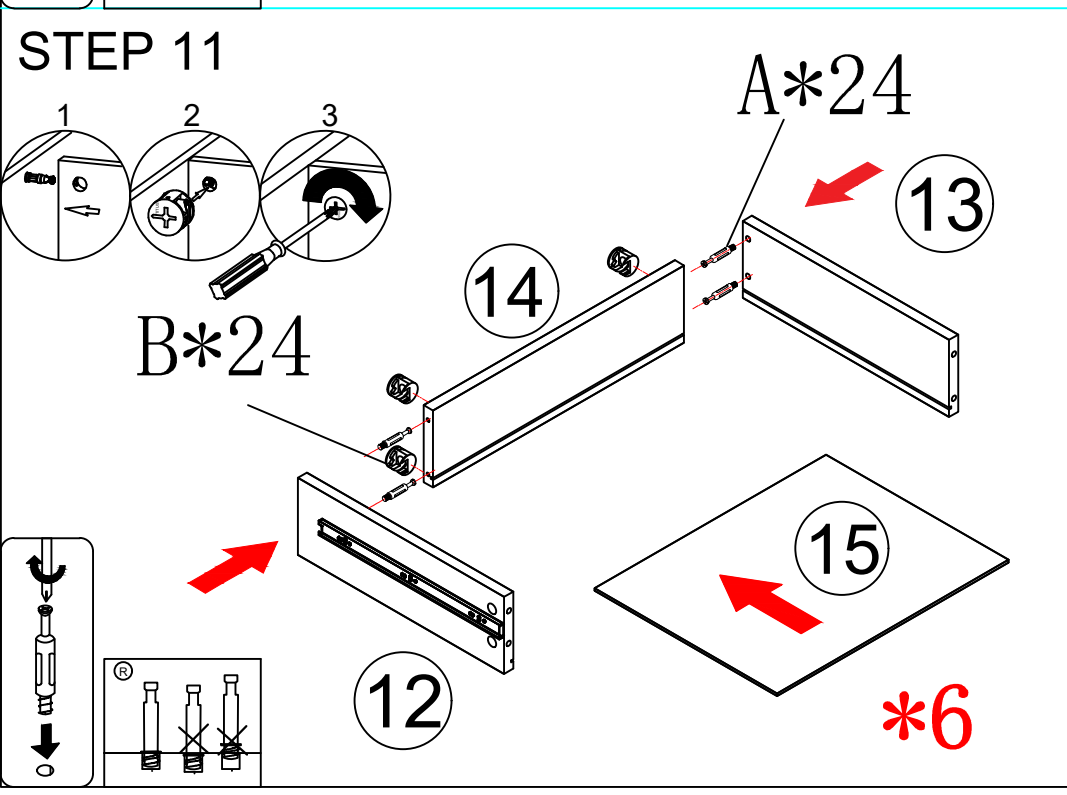
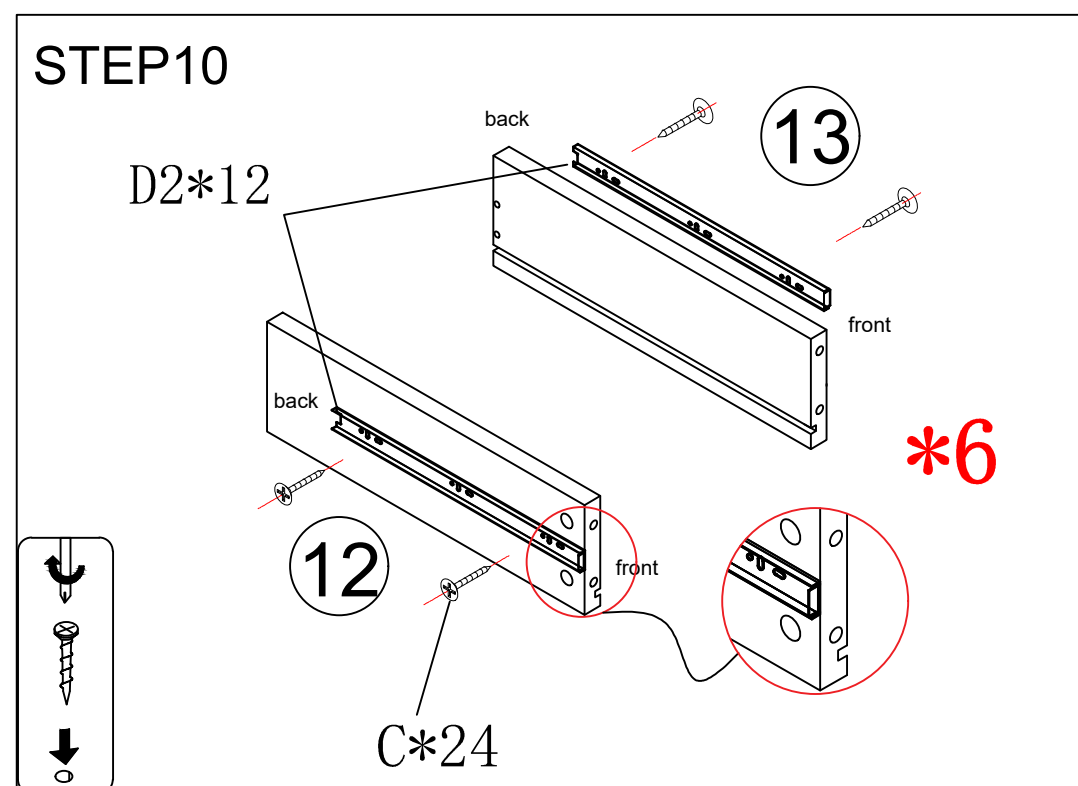
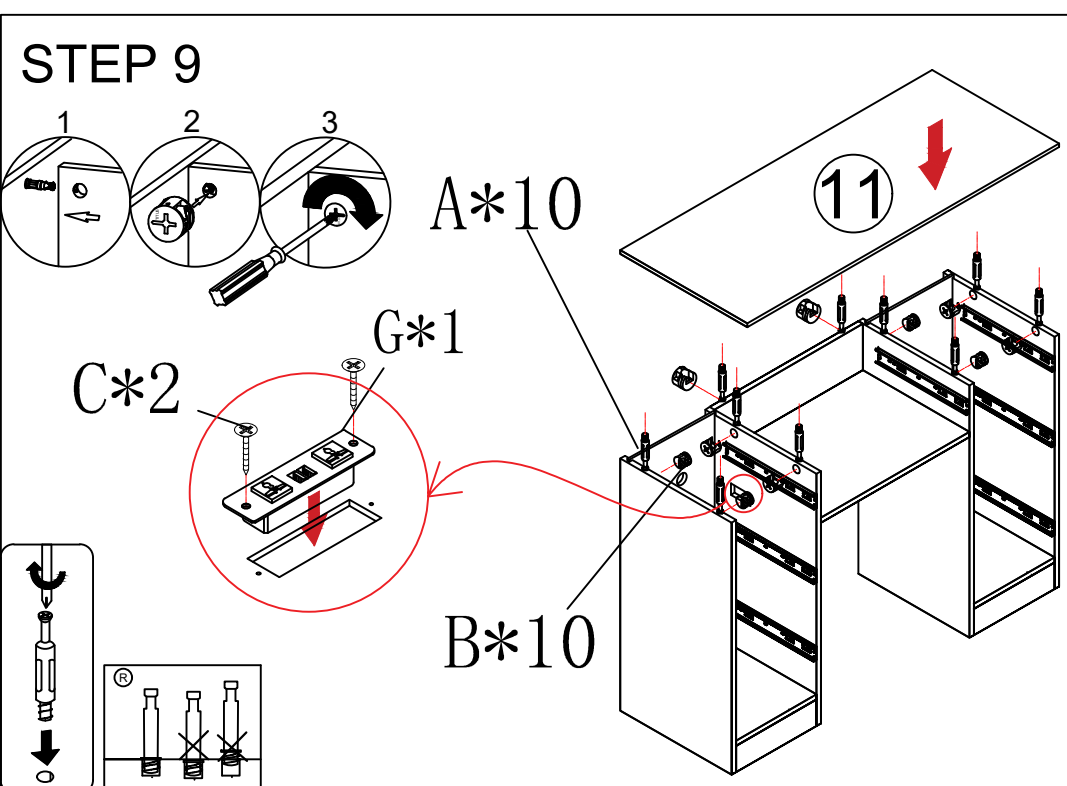
# STEP 3



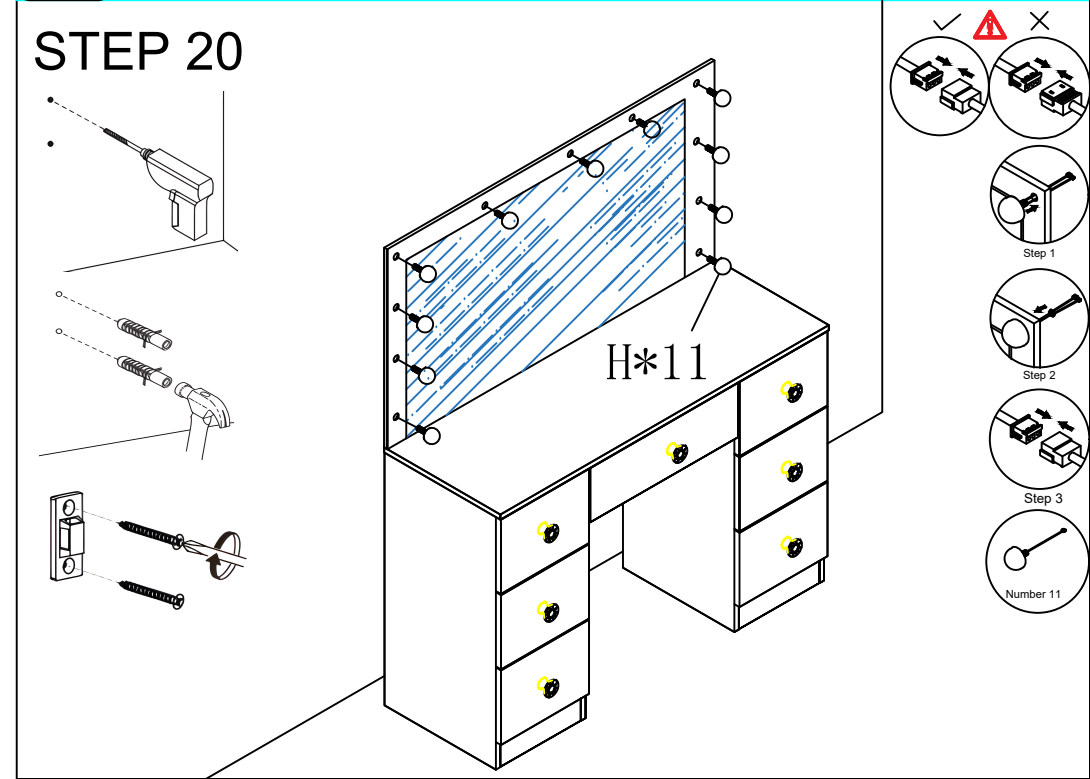
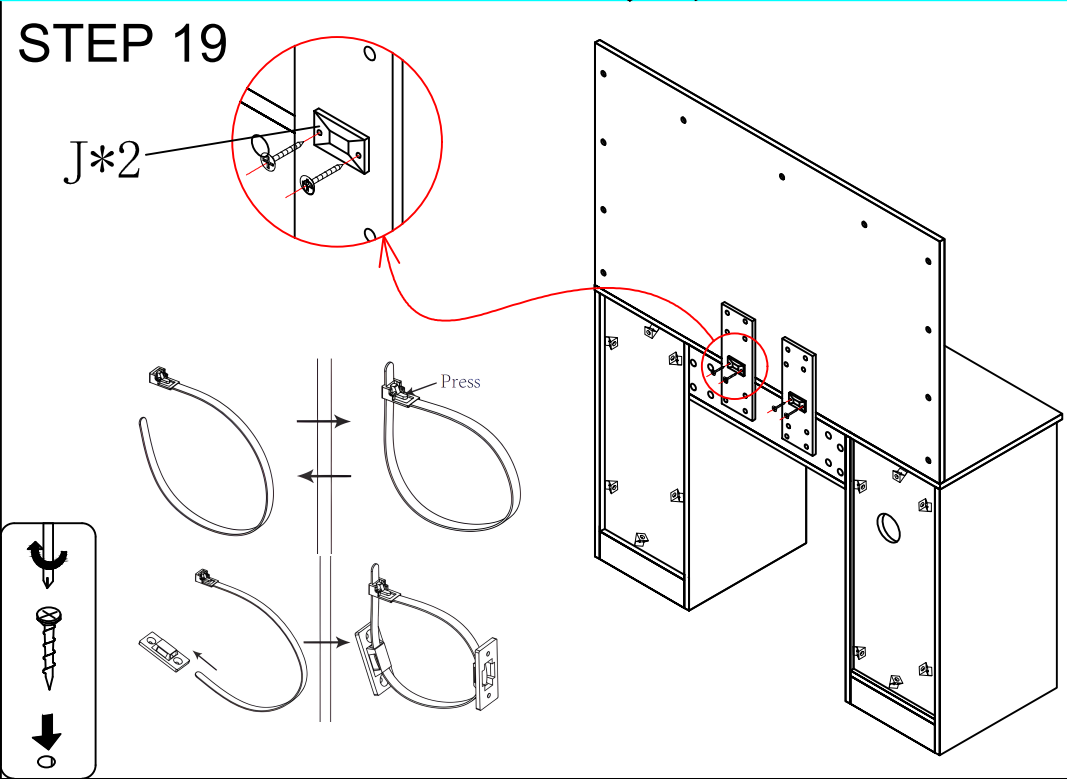
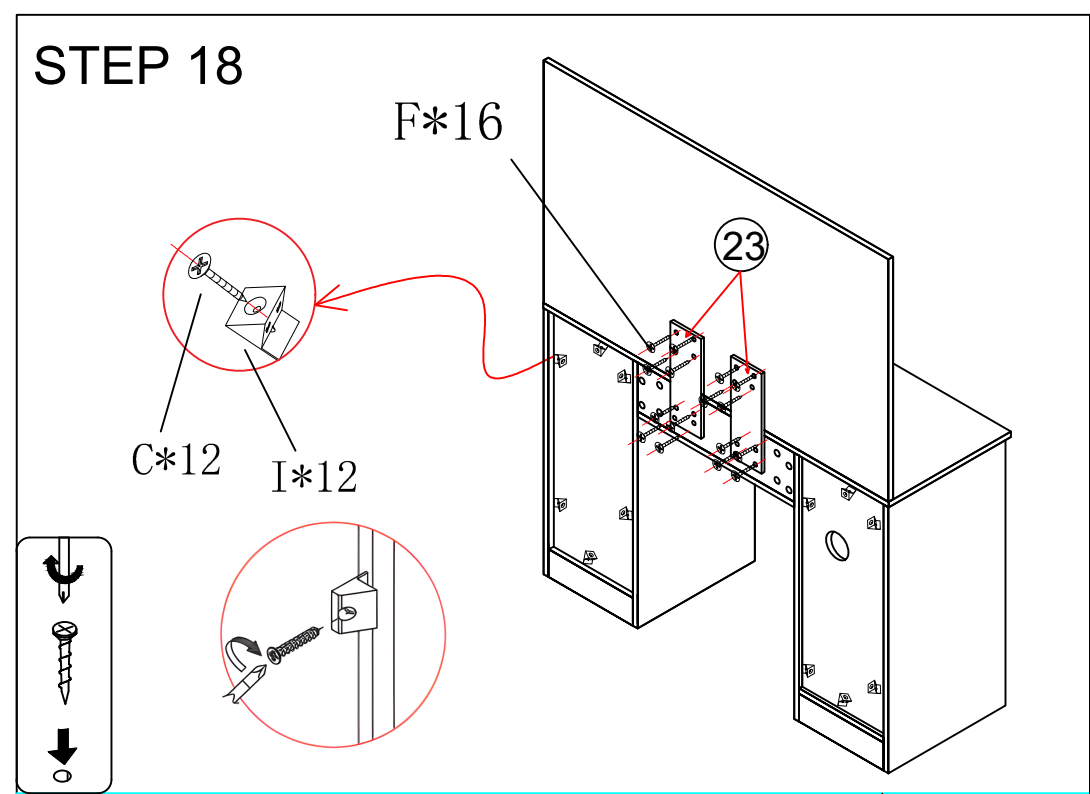
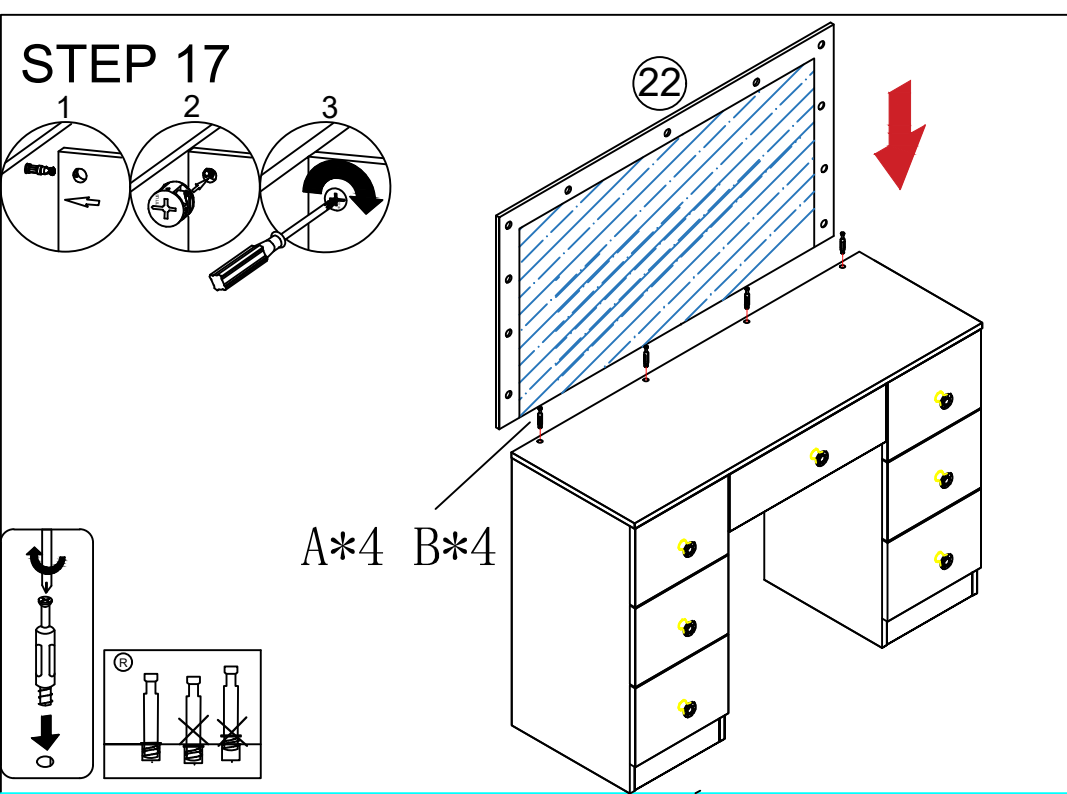
# STEP 4

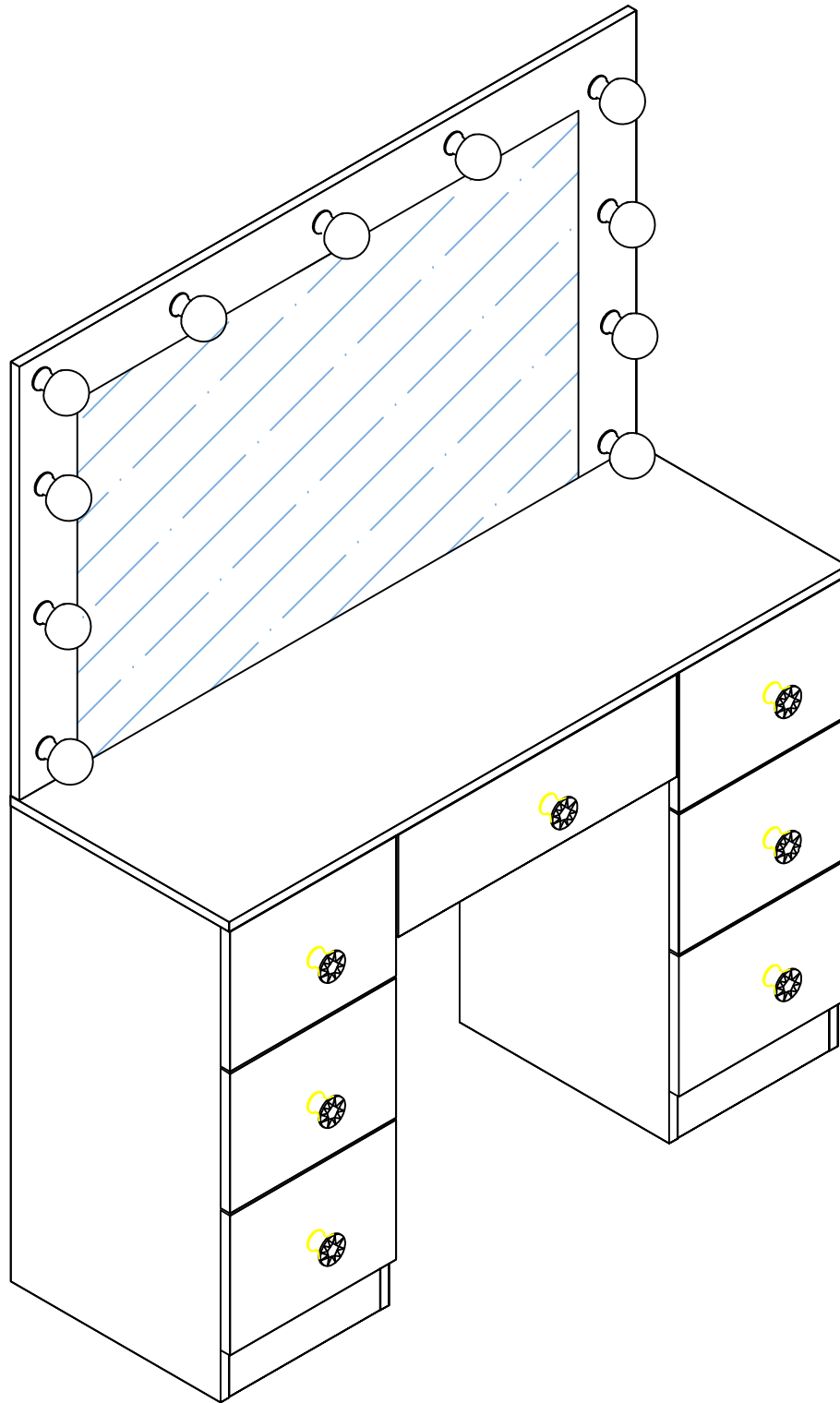












Installation Completed