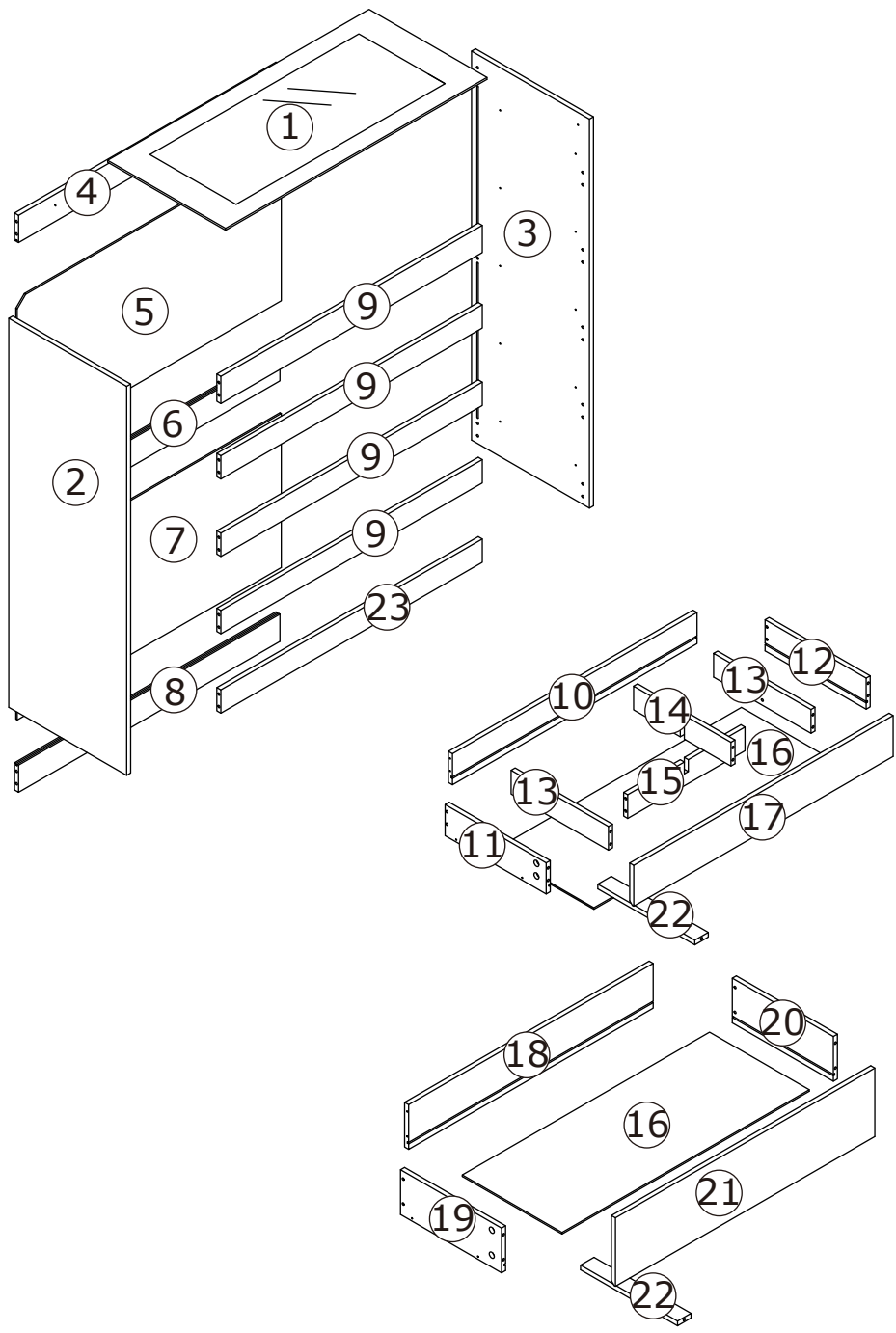
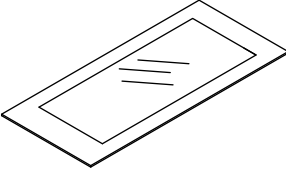
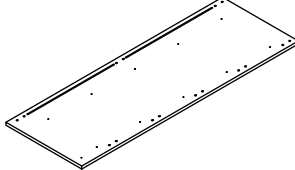
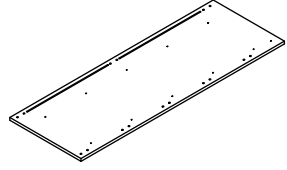
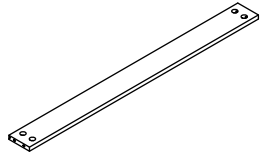
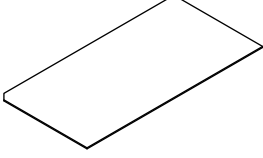
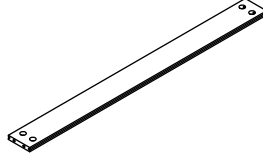
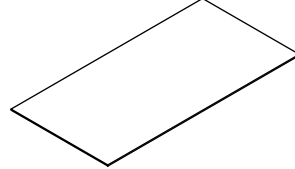
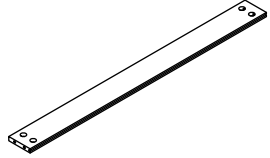
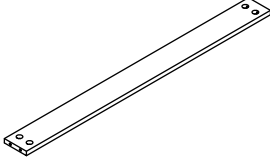
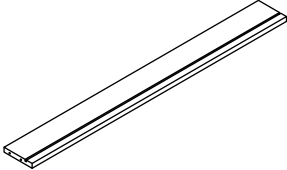
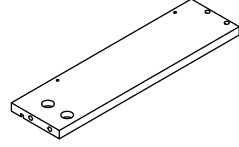
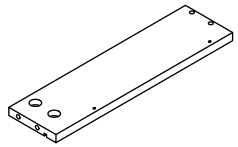
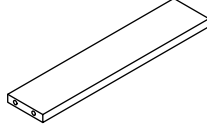
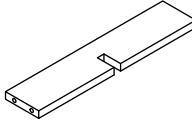
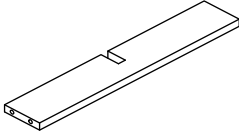
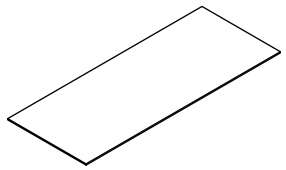
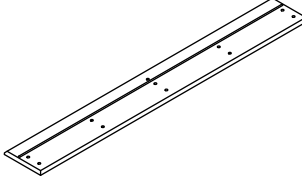
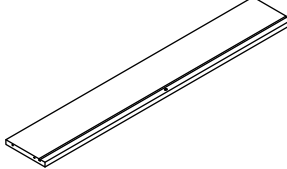
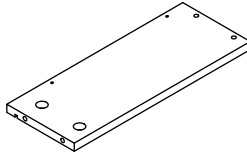
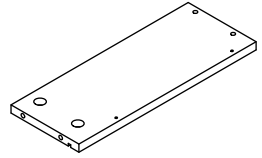
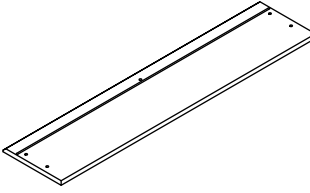
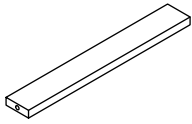
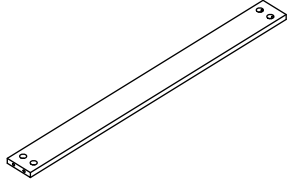


Installation instruction

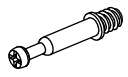


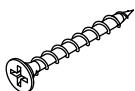





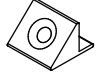

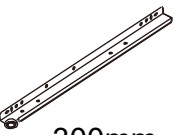



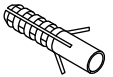




x4

Parts and Operation Elements

			
① 1pcs	② 1pcs	③ 1pcs	④ 1pcs
			
⑤ 1pcs	⑥ 1pcs	⑦ 1pcs	⑧ 1pcs
			
⑨ 4pcs	⑩ 1pcs	⑪ 1pcs	⑫ 1pcs
			
⑬ 1pcs	⑭ 1pcs	⑮ 1pcs	⑯ 5pcs
			
⑰ 1pcs	⑱ 4pcs	⑲ 4pcs	⑳ 4pcs
			
㉑ 4pcs	㉒ 5pcs	㉓ 1pcs	

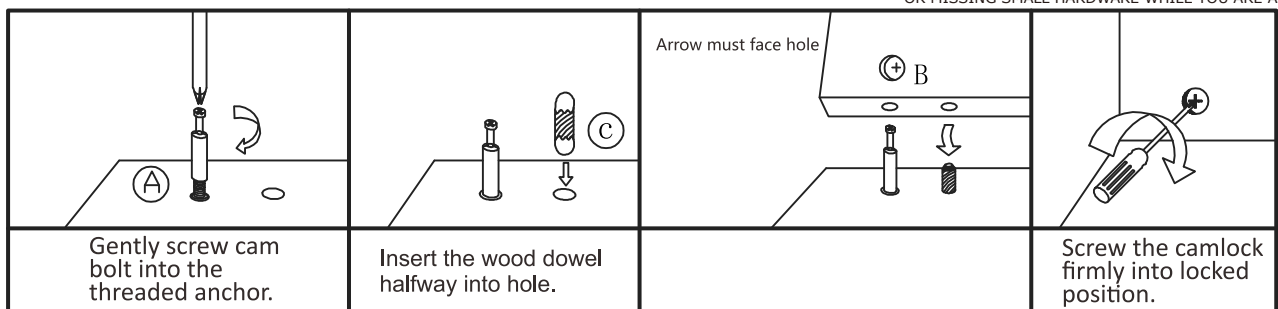
Hardware

									
Cam bolt		Cam Lock		6x30mm Wood dowel		4x35mm screw		3x12mm screw	
A	57pcs	B	57pcs	C	16pcs	D	27pcs	E	43pcs
									
3.5x12mm screw									
F	2pcs	G	2pcs	H	1pcs	J	3pcs	K	8pcs
									
3x14mm screw		300mm		300mm		300mm		300mm	
L	10pcs	DR	5pcs	DL	5pcs	CR	5pcs	CL	5pcs
									
N	2pcs	O	4pcs	P	2pcs				

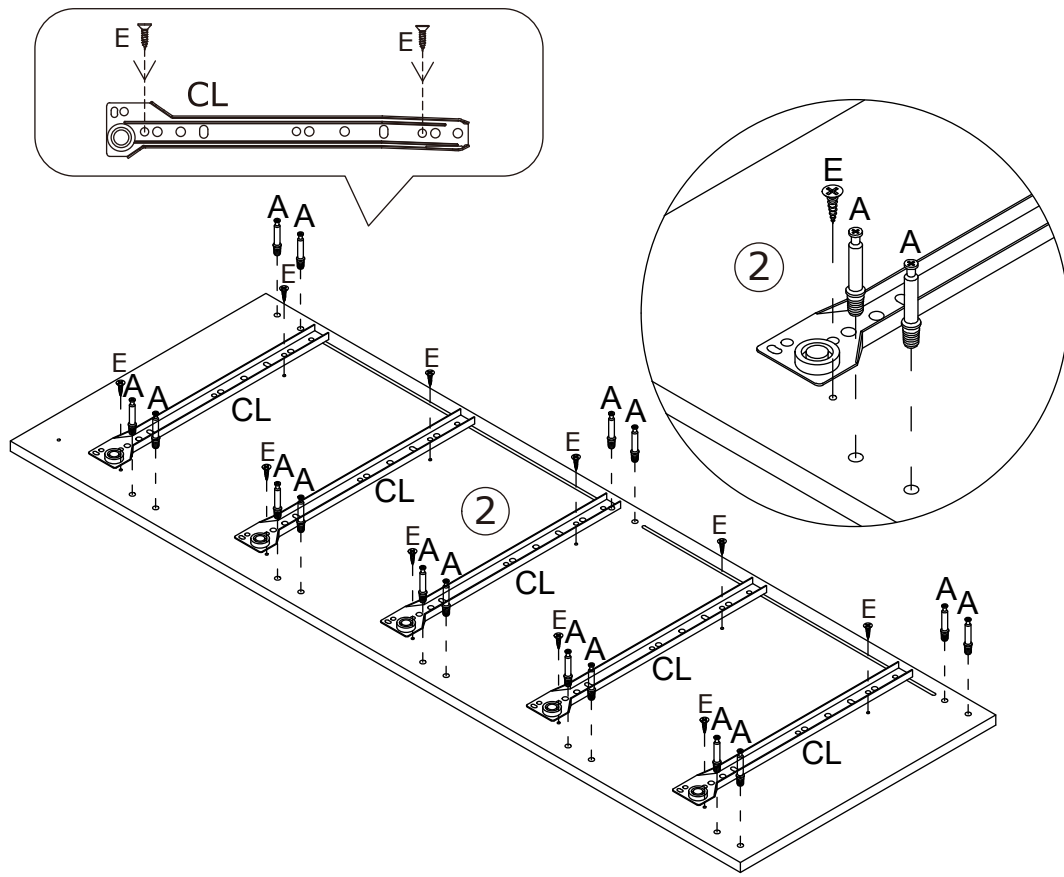




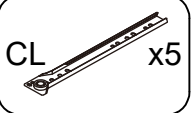
SPARE BAG

THE SPARE BAG INCLUDED EXTRA HARDWARE FOR DAMAGED OR MISSING SMALL HARDWARE WHILE YOU ARE ASSEMBLING

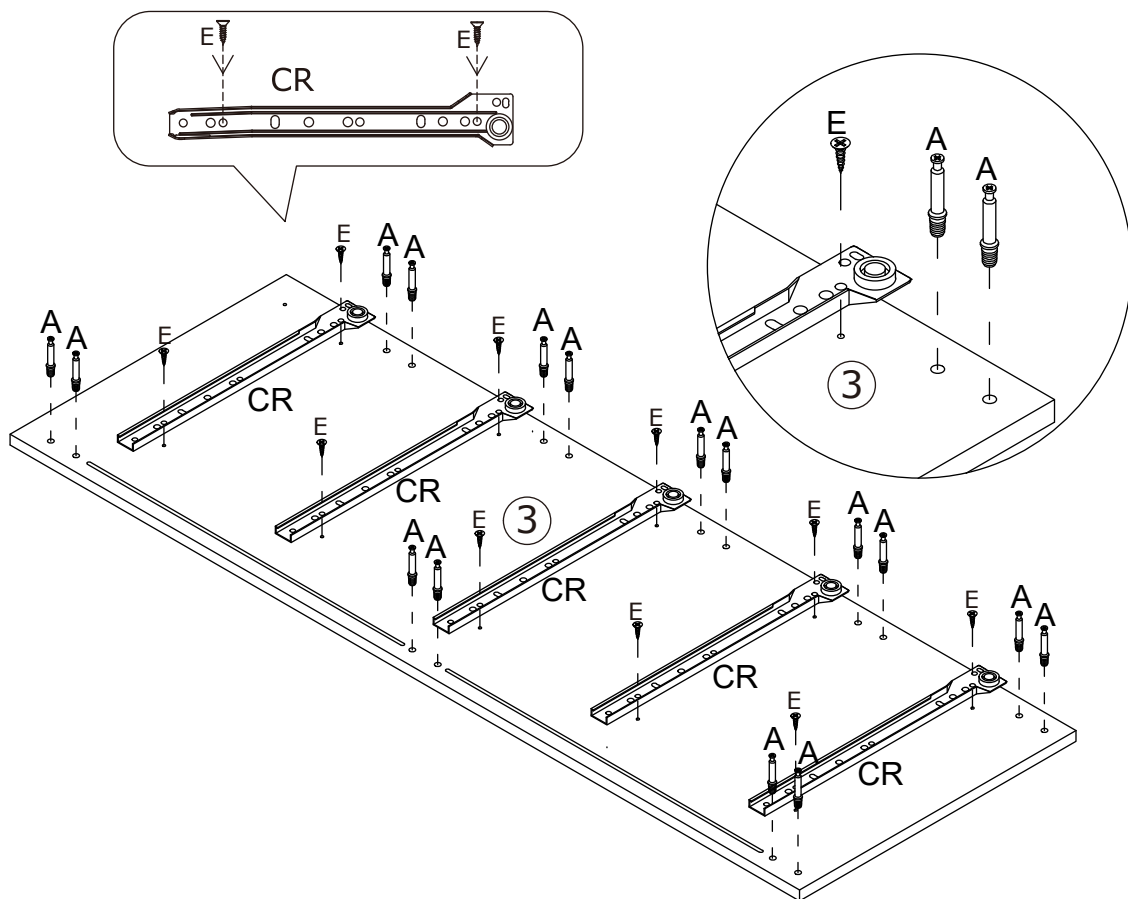




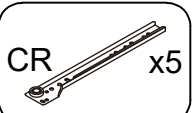
1




- A  x16
- E  x10
- CL  x5

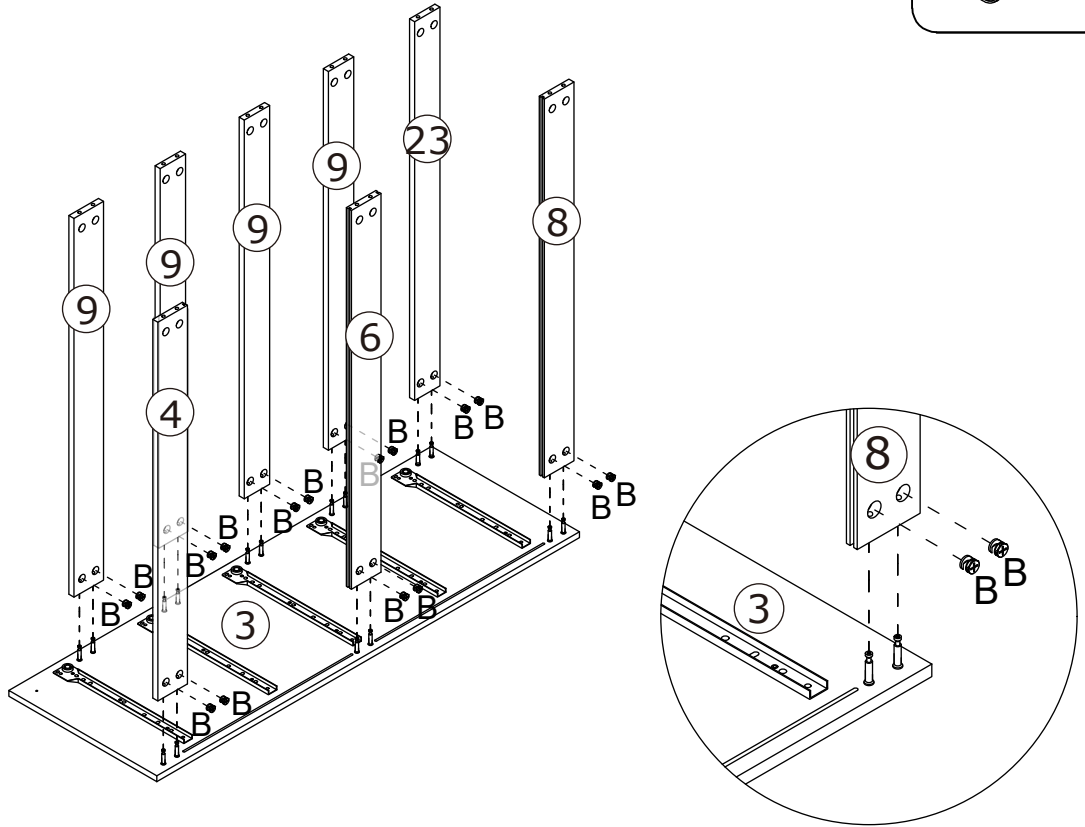
2



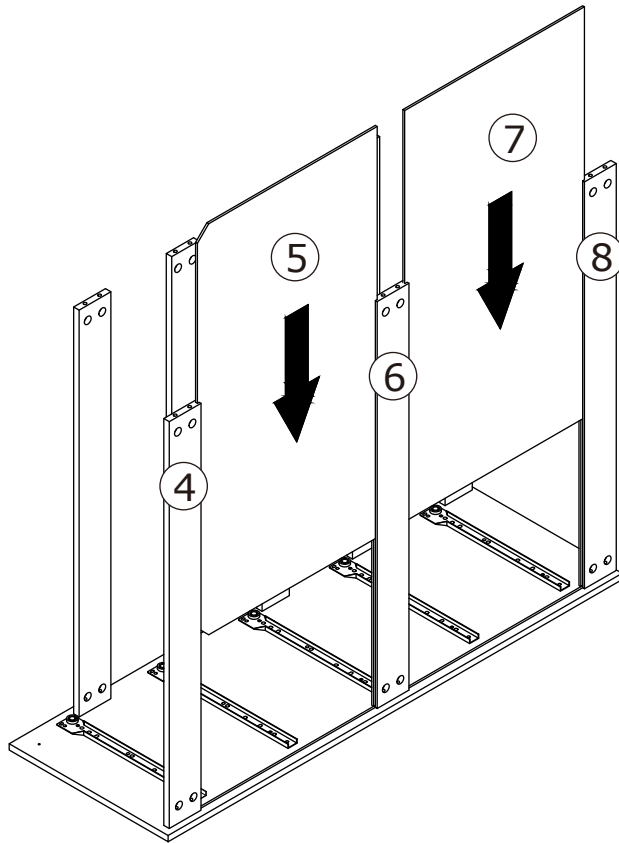
- A  x16
- E  x10
- CR  x5

3


B  x16

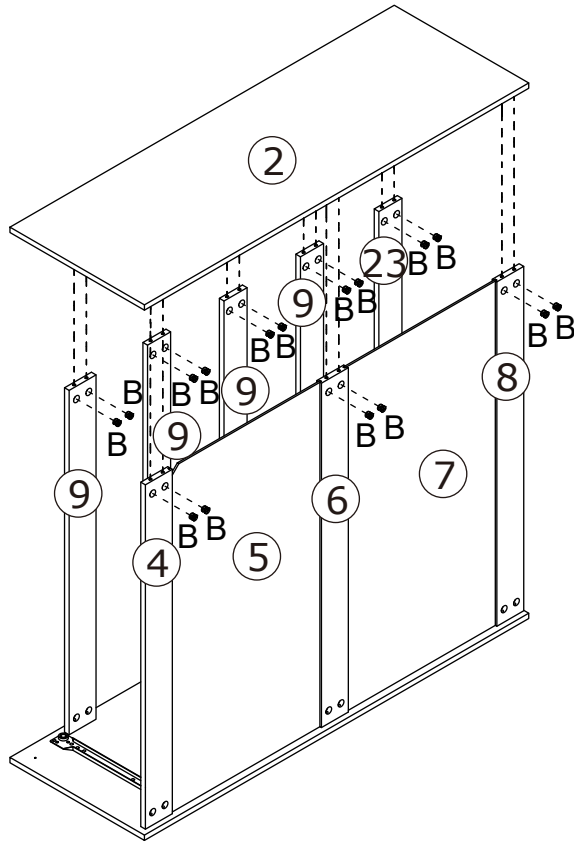


4

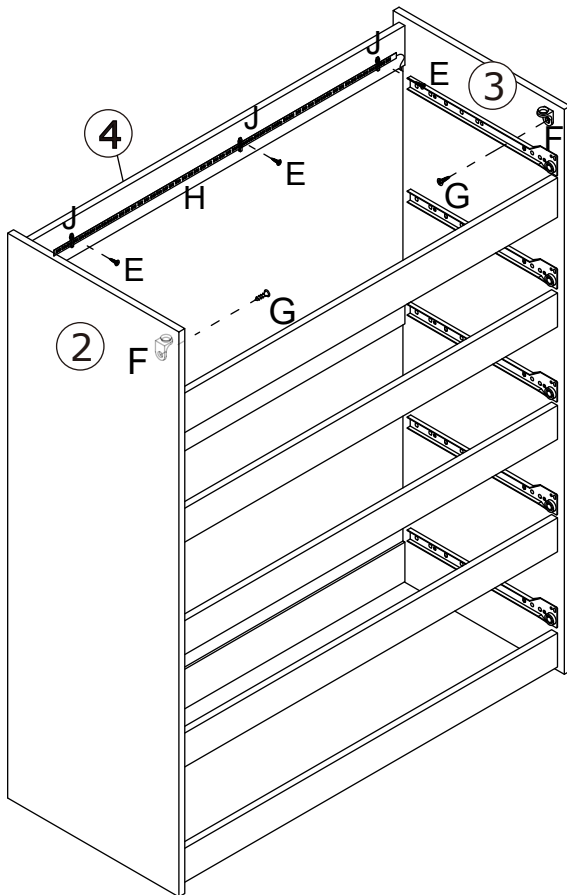







5

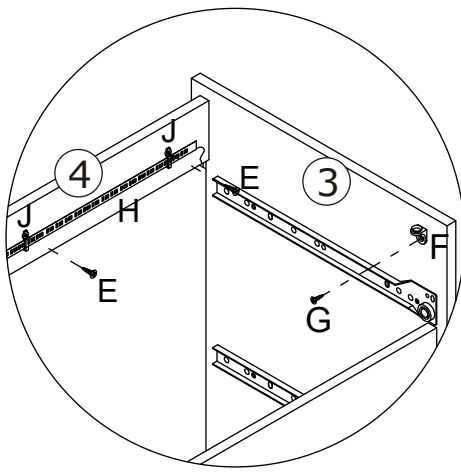
B  x16



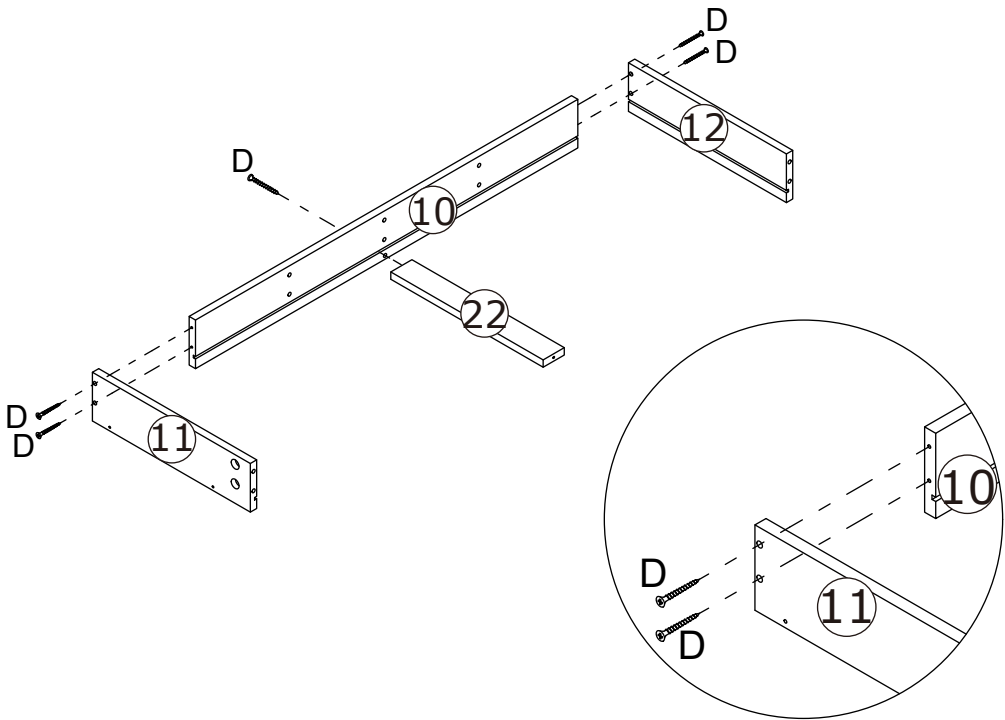
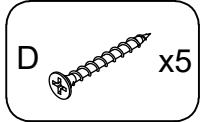
6



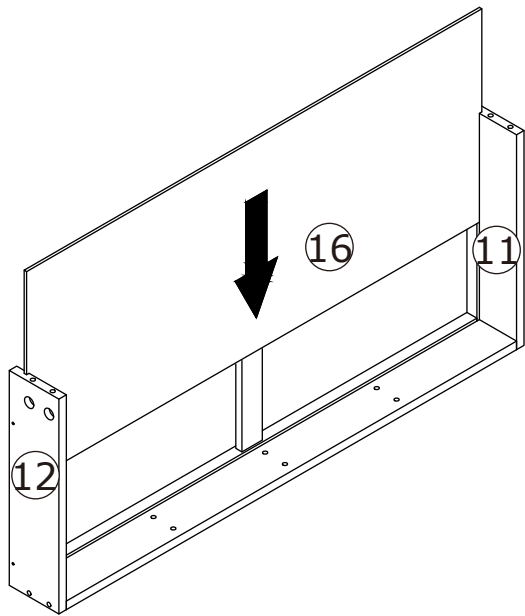
- E  x3
- F  x2
- G  x2
- H  x1
- J  x3



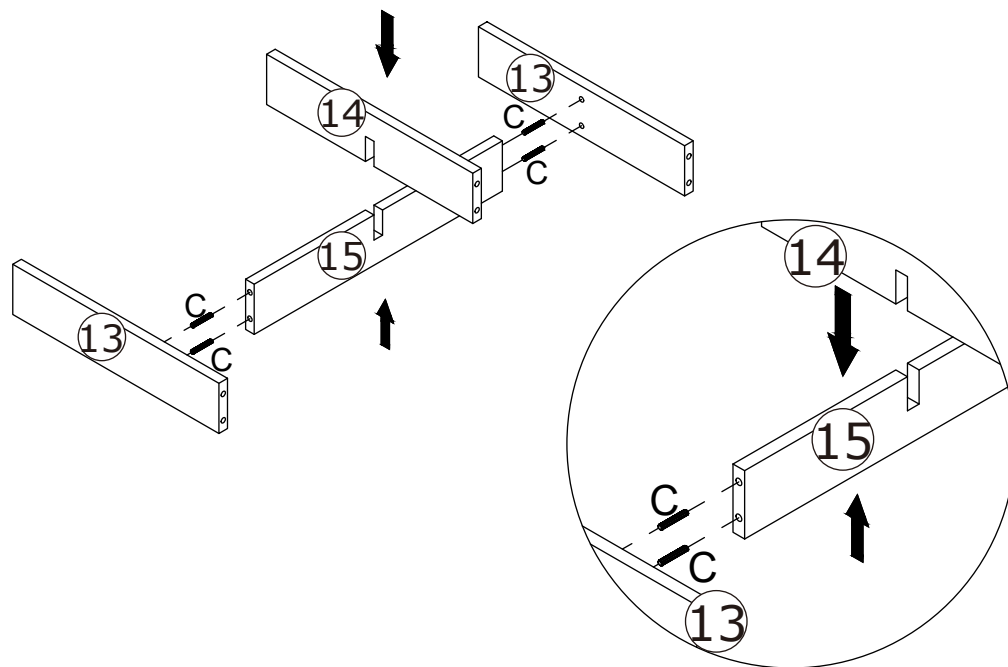
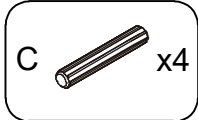
7



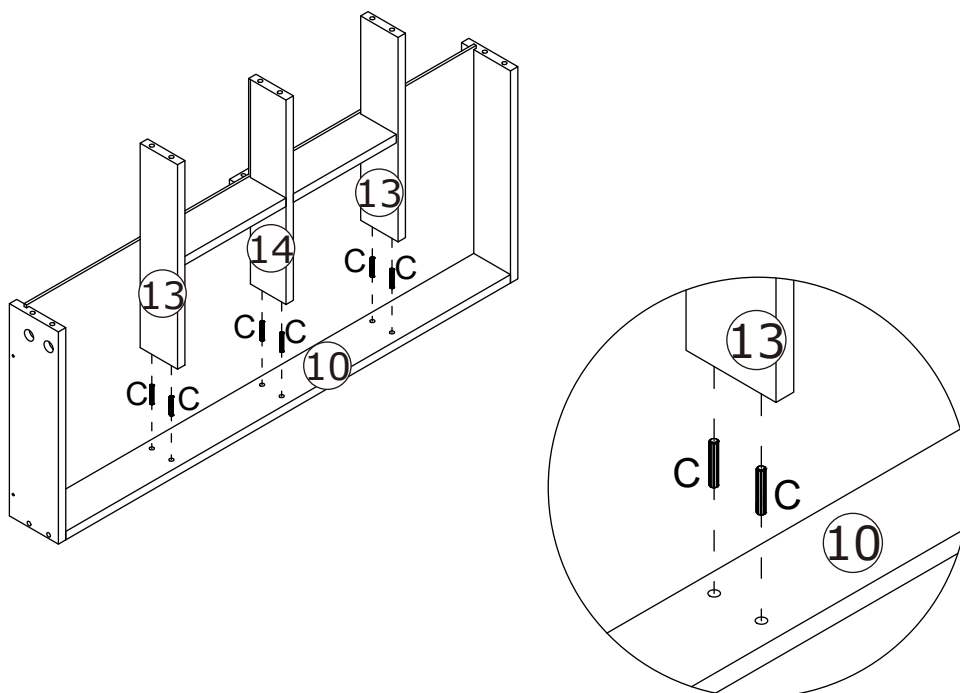
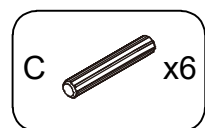
8



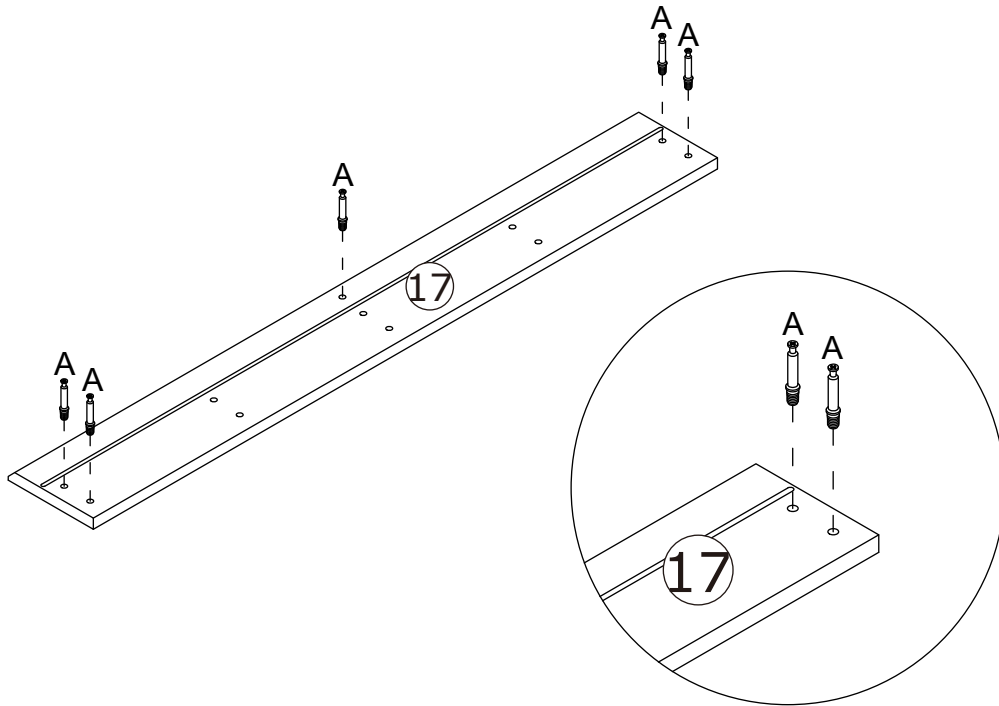
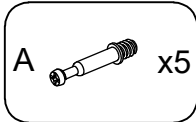
9



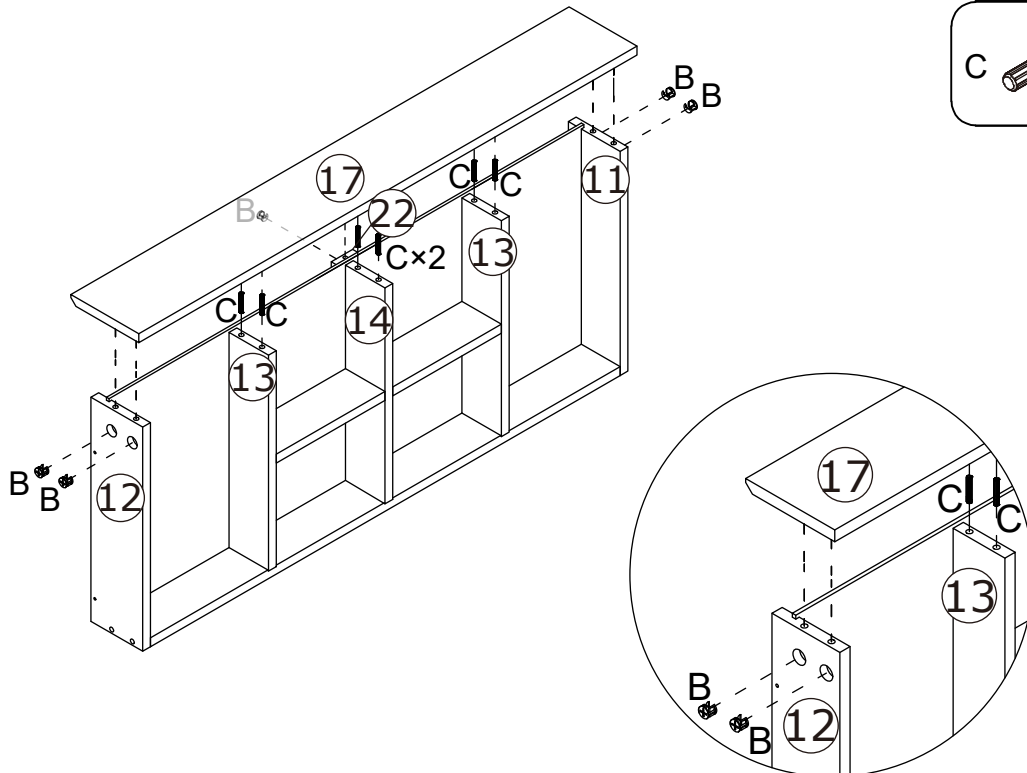
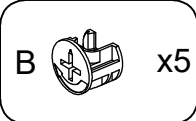
10



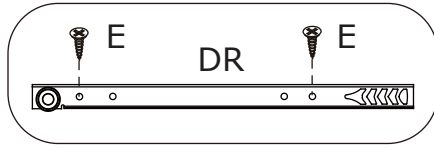
11



12




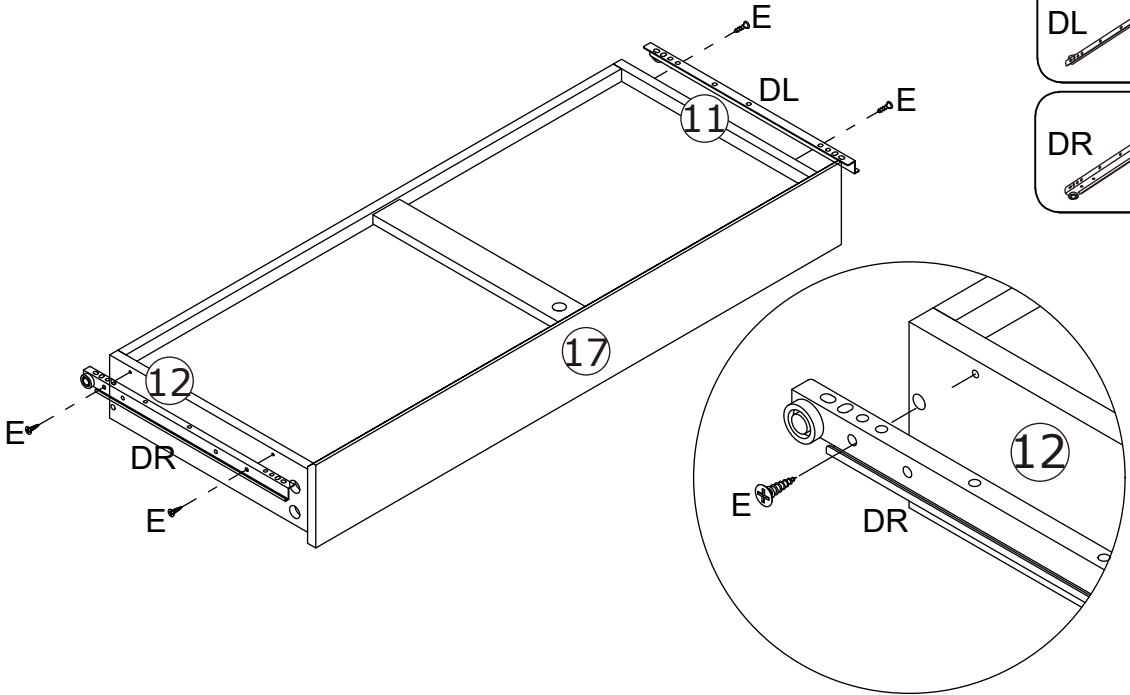
13




E  x4

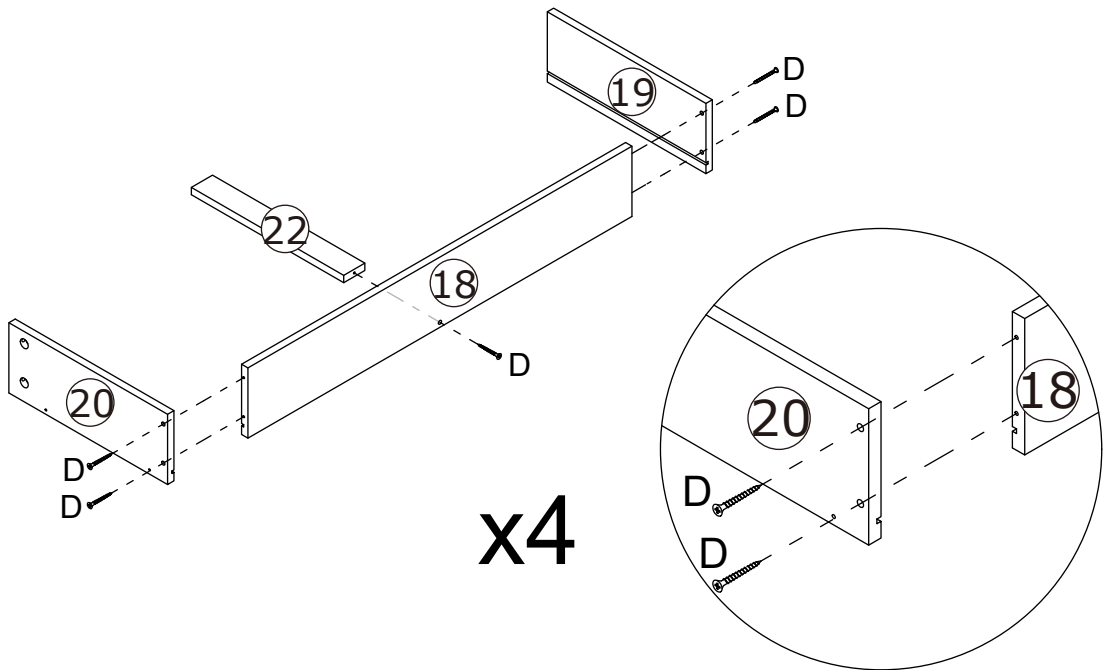
DL  x1

DR  x1

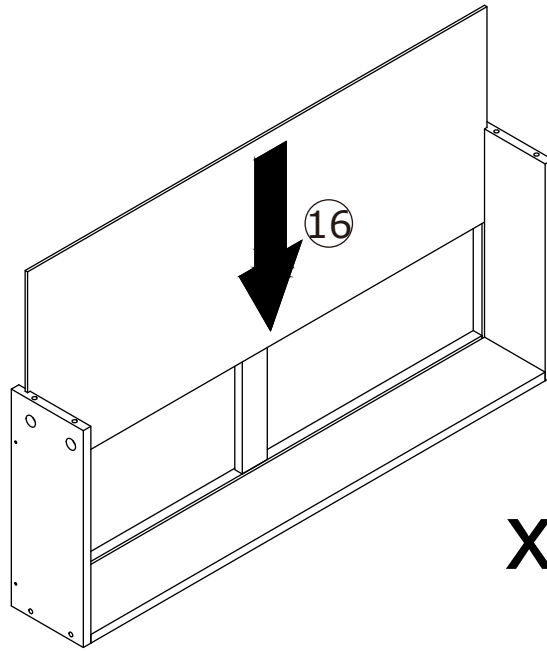


14

D  x20

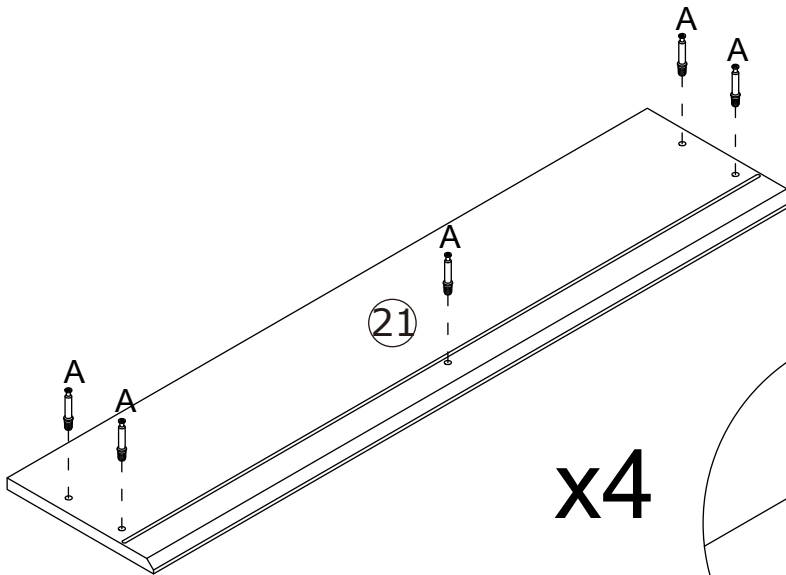
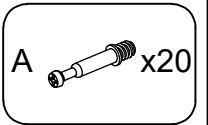


15

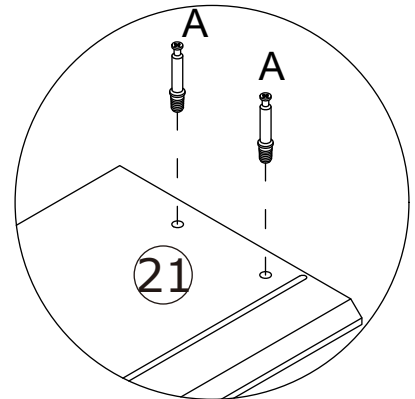


x4


16

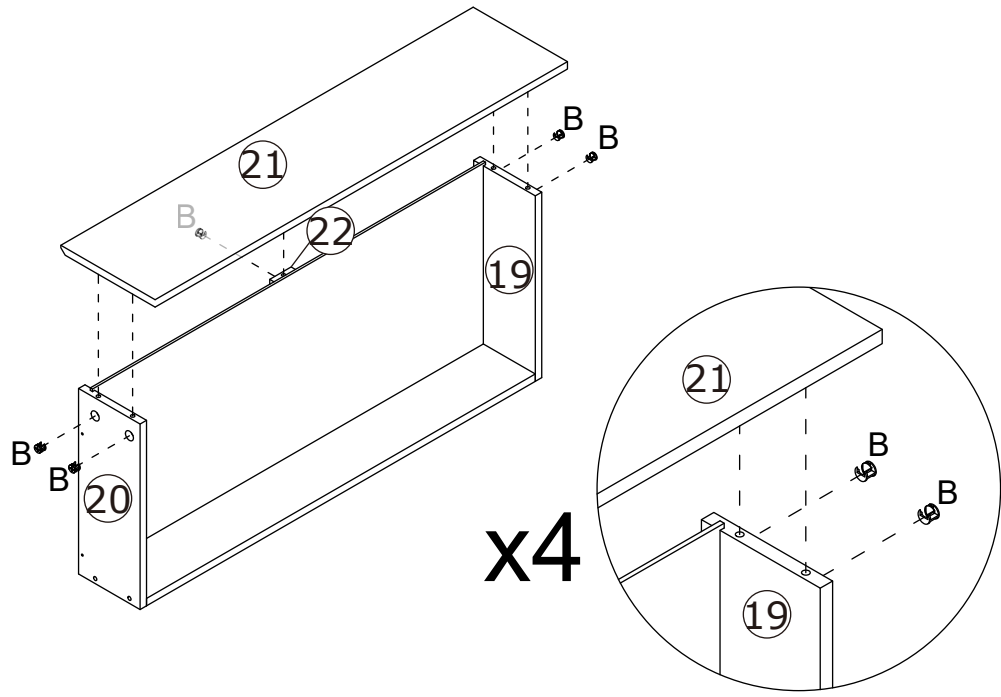


x4



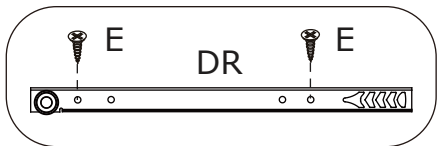
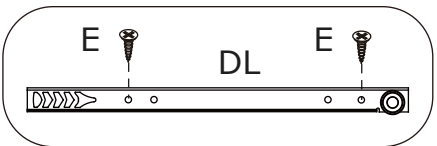
17

B  x20





x4

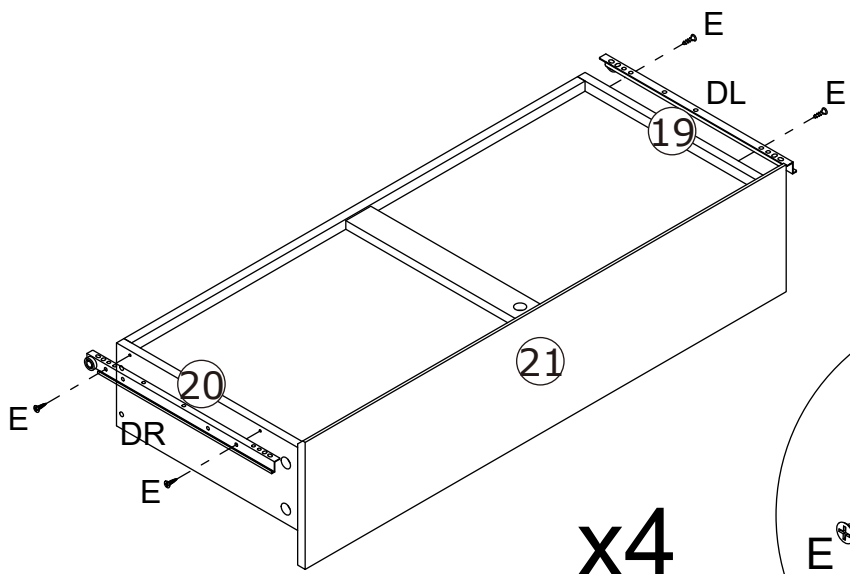
18



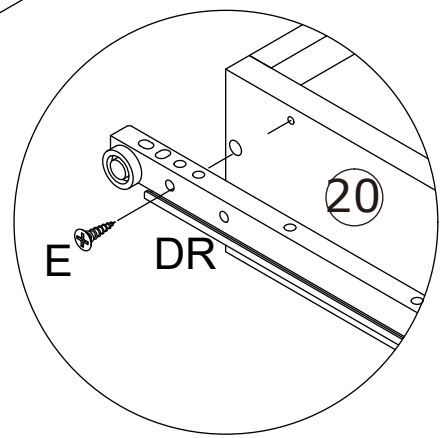
E  x16

DL  x4

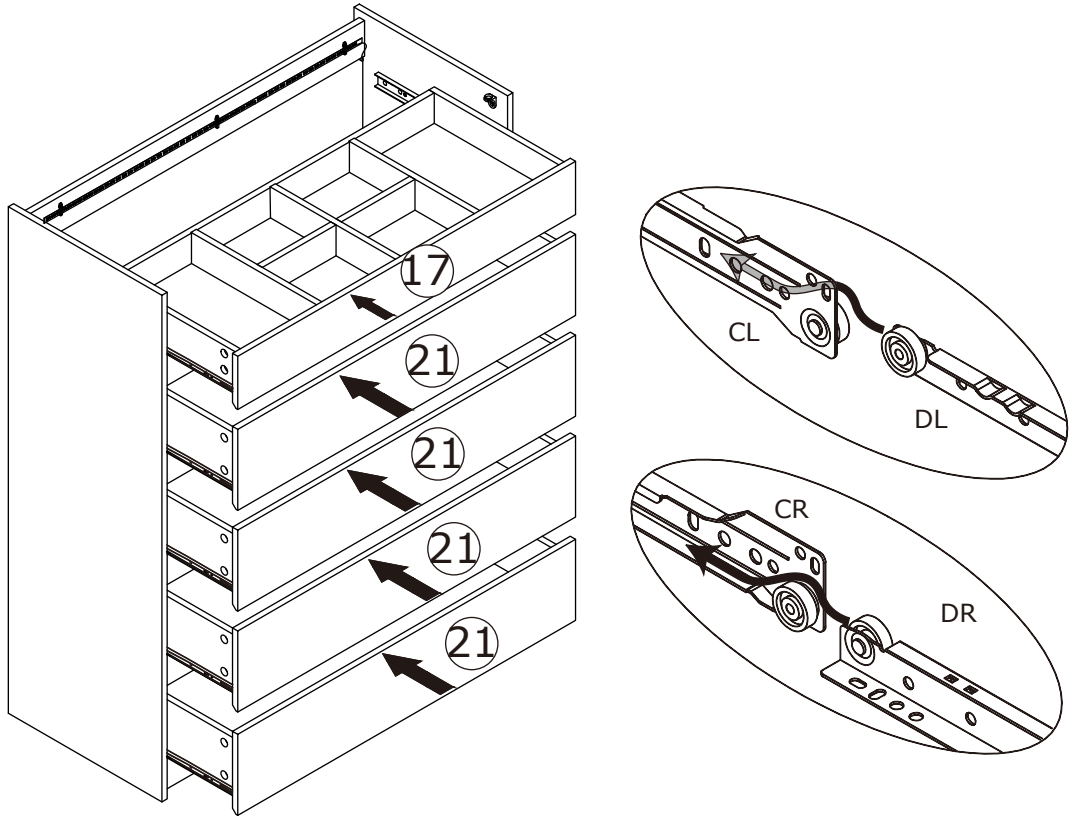
DR  x4



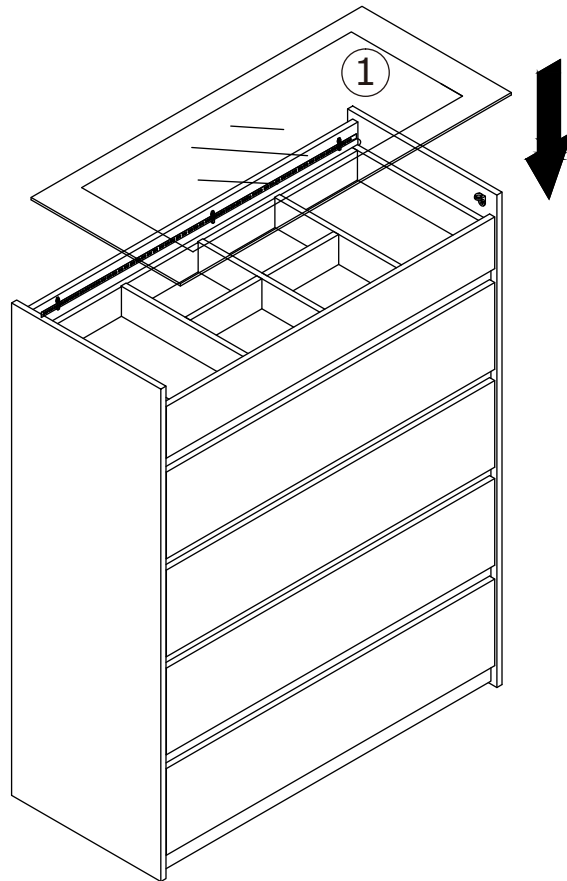
x4



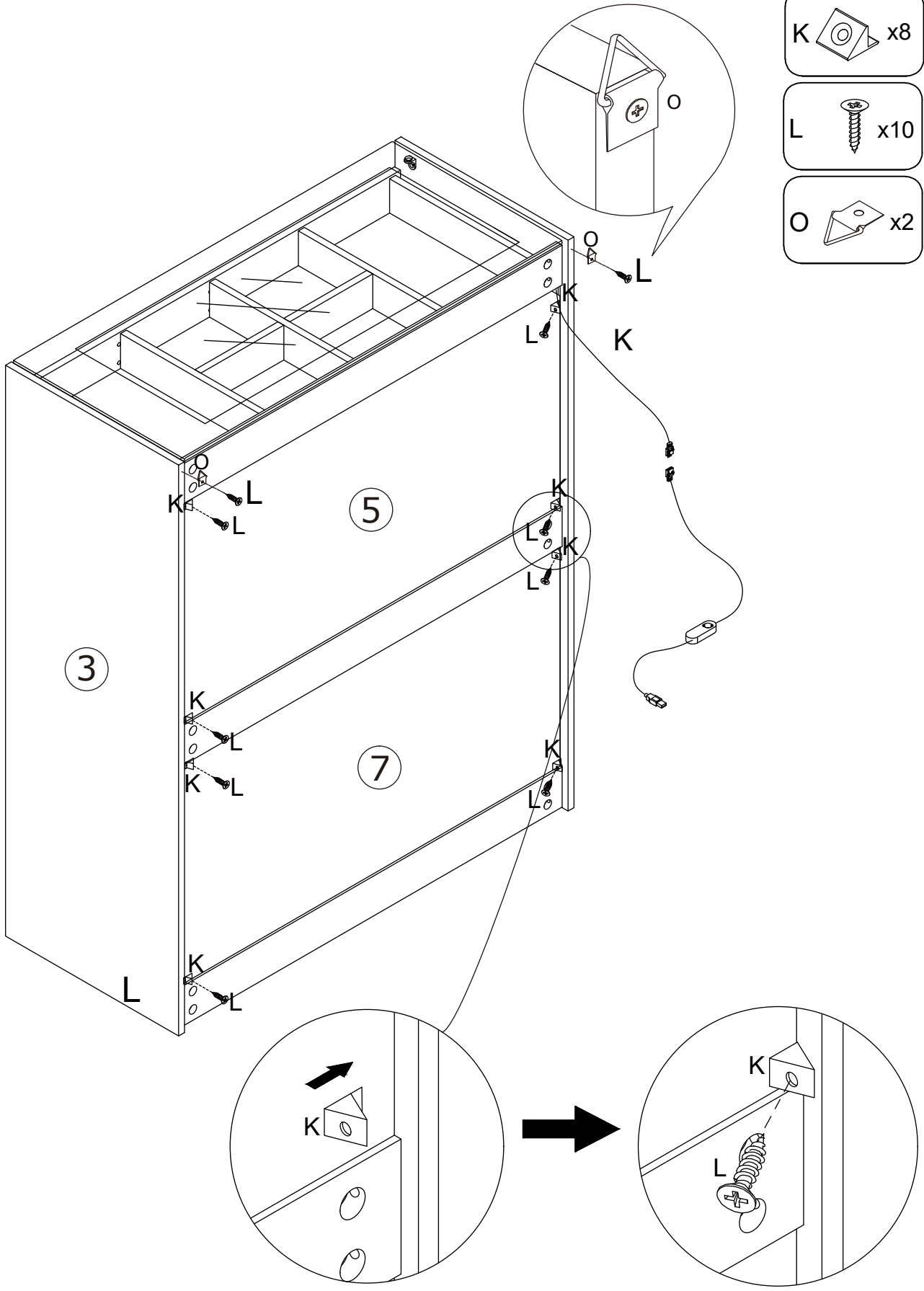
19




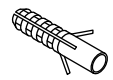
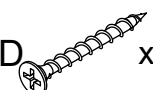
20

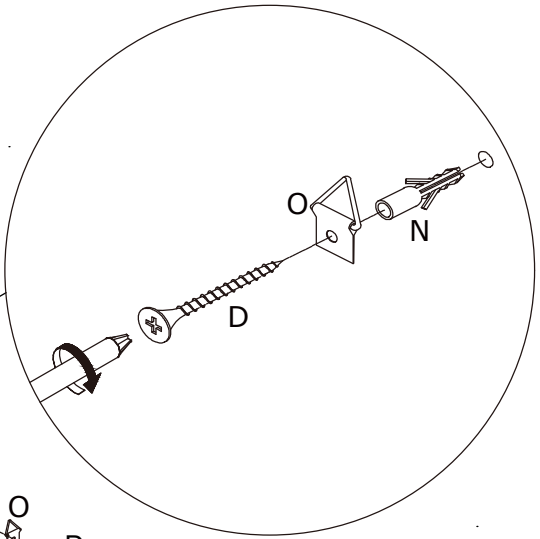


21

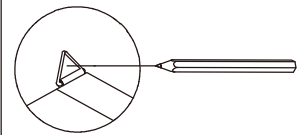
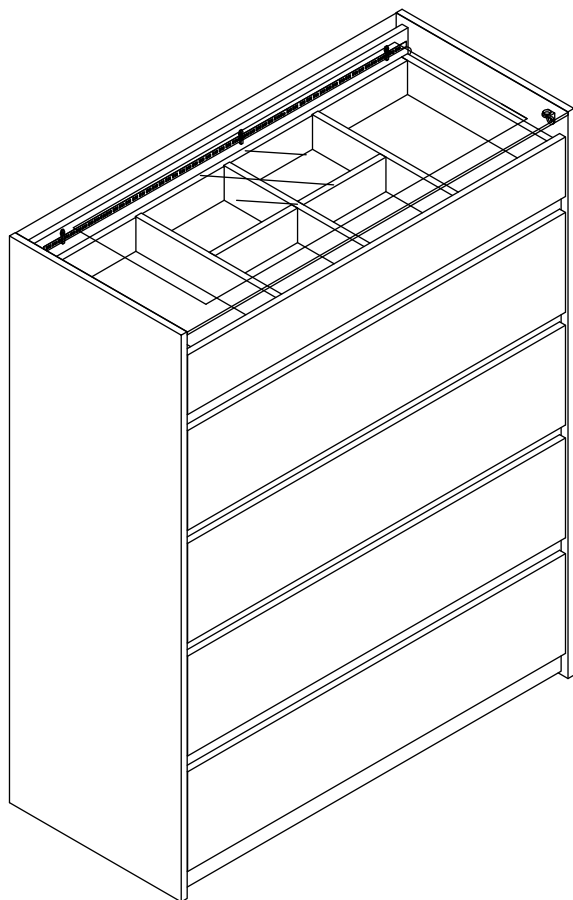
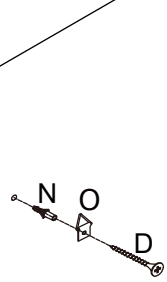


22

- O  x2
- N  x2
- D  x2



wall

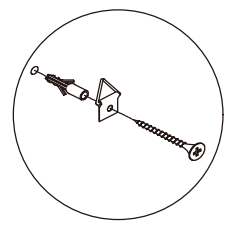
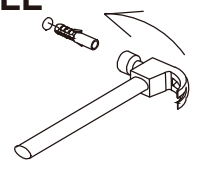


WALL


drilling hole
Ø6x30mm



WALL



23

P  x2

