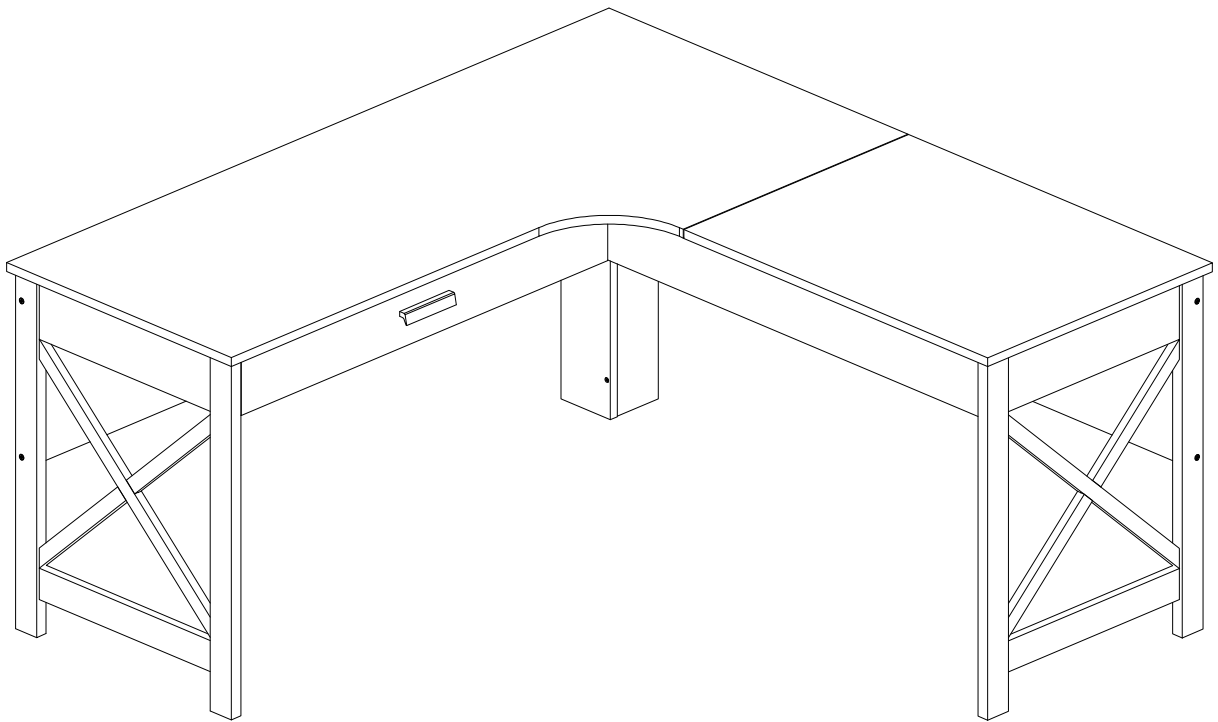


ASSEMBLY INSTRUCTIONS

Important Safety Instructions:

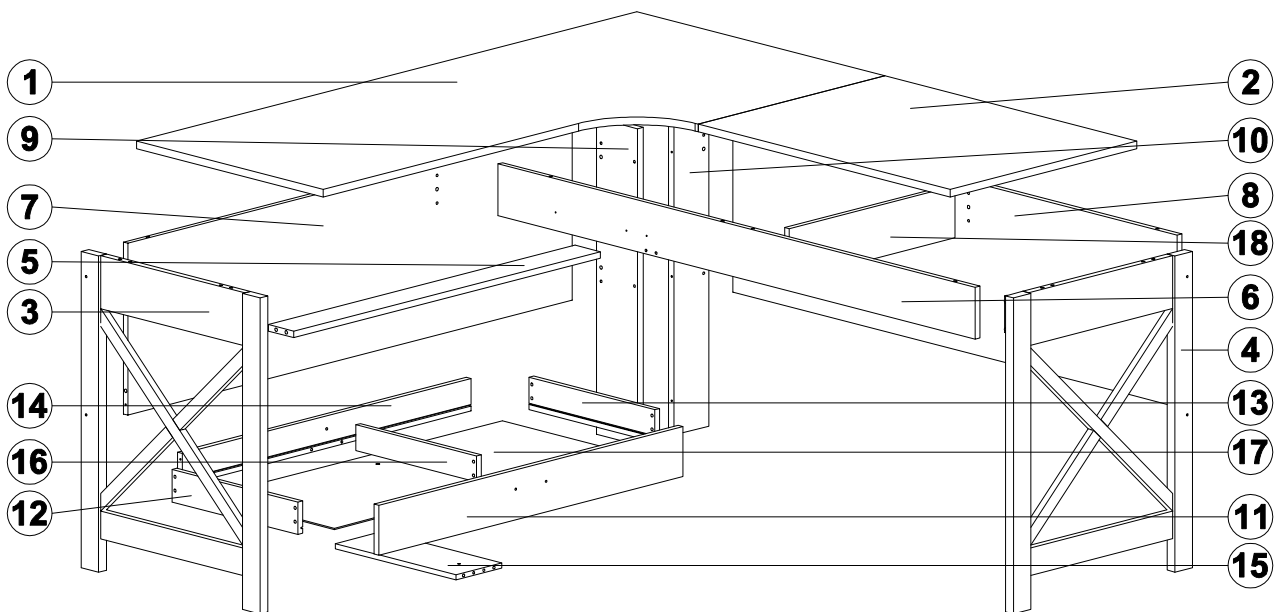
- Please read all instructions before beginning assembly
- Please make sure receive all the parcels to start the assembly
- For your safety and convenience, assembly by two people is recommended
- Use the parts and hardware lists to identify and separate each of the components included
- Save all packing materials until assembly is completed to avoid the accidental discarding of smaller parts or hardware



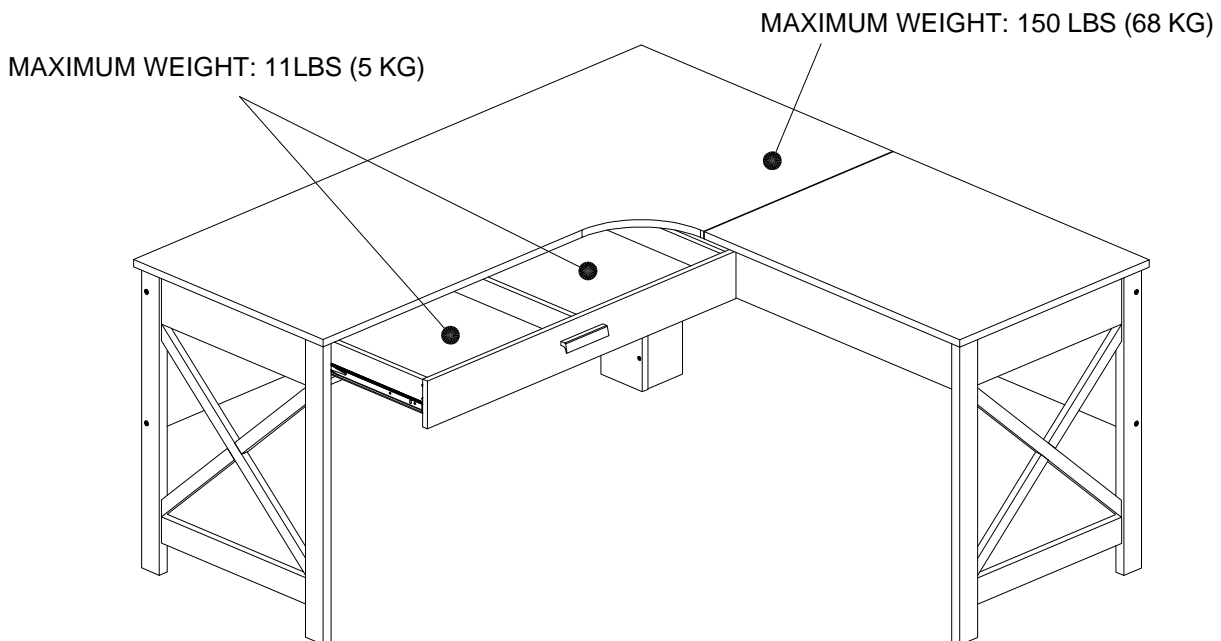
THANK YOU FOR PURCHASING

PARTS LIST


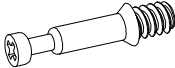

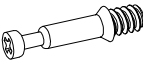


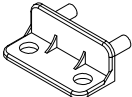
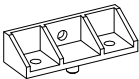
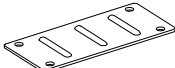
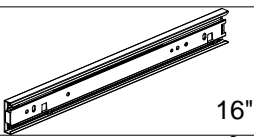
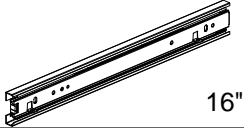

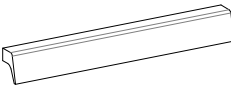
- | | | | | |
|------|------|------|------|------|
| ① X1 | ② X1 | ③ X1 | ④ X1 | ⑤ X1 |
| ⑥ X1 | ⑦ X1 | ⑧ X1 | ⑨ X1 | ⑩ X1 |
| ⑪ X1 | ⑫ X1 | ⑬ X1 | ⑭ X1 | ⑮ X1 |
| ⑯ X1 | ⑰ X1 | ⑱ X1 | | |

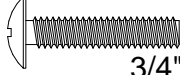

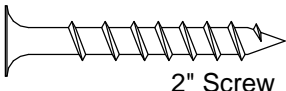
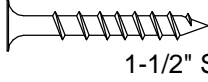
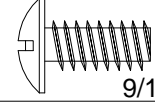
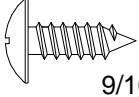
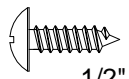


Maximum weight capacities



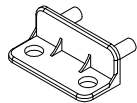
HARDWARE LIST

Name	Part	Qty.	Spare
A		17	1
B		17	1
C		2	1
D		2	1
E		2	1
F		16	1
G		3	
H		1	
I		1	
J	 16"	1	
K	 16"	1	
L	A K 0 2 0 1		1
	A K 0 2 3 4		

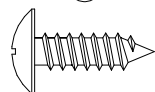
Name	Part	Qty.	Spare
M	 3/4" Bolt	2	1
N	 2-3/8" Screw	4	
O	 2" Screw	13	
P	 1-1/2" Screw	9	
R	 9/16" Screw	3	
S	 9/16" Screw	10	
T	 1/2" Screw	16	2

STEP 1

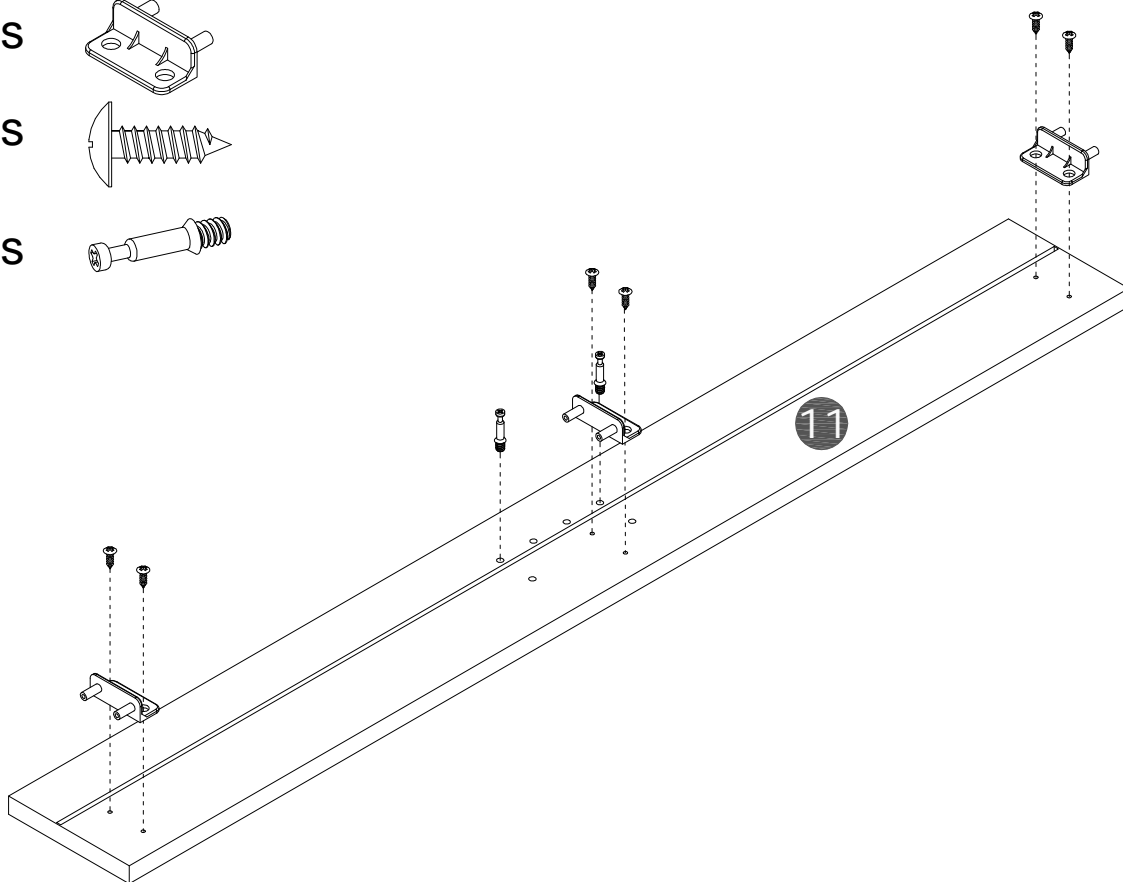
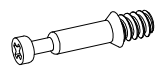
G x 3pcs



S x 6pcs

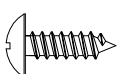


D x 2pcs

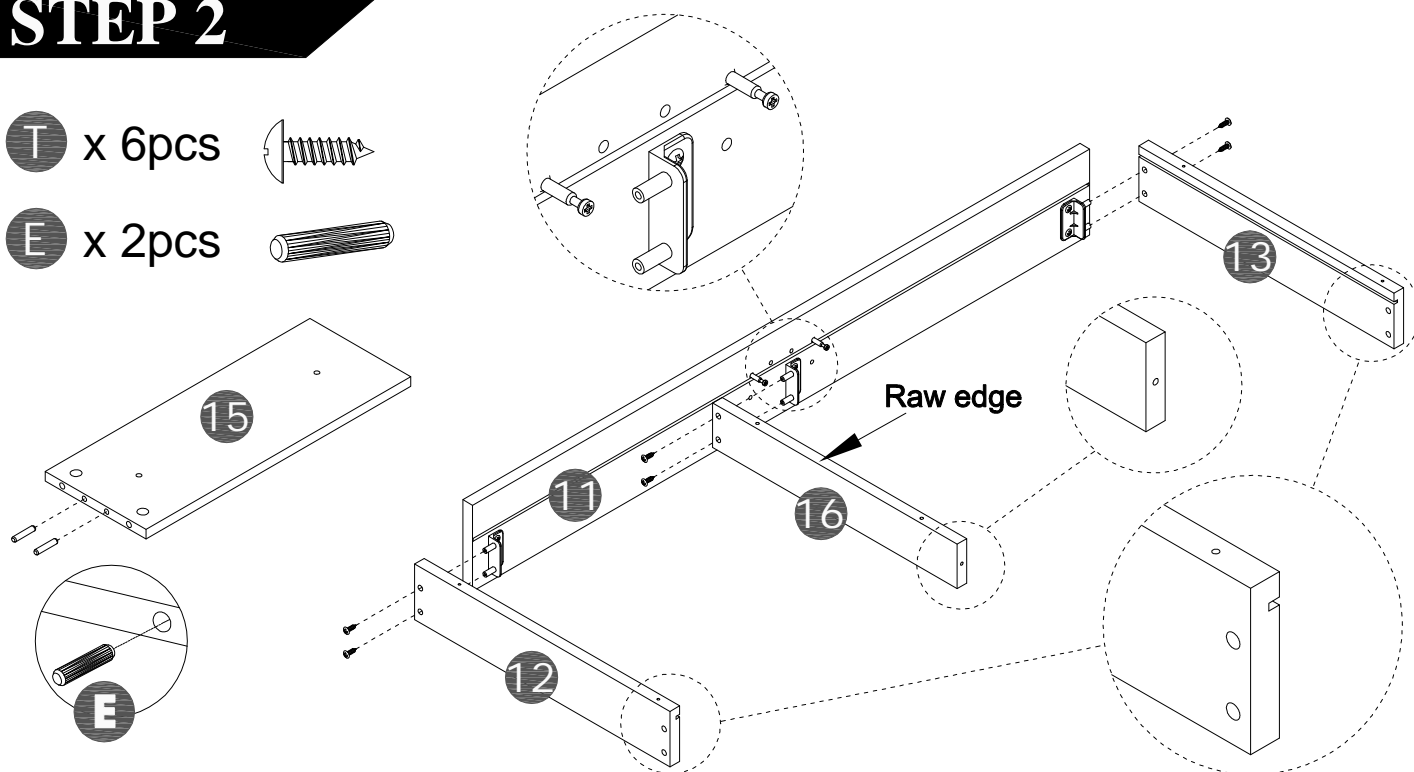


STEP 2

T x 6pcs

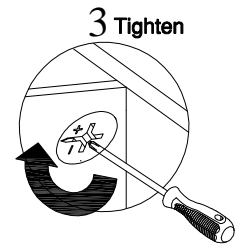
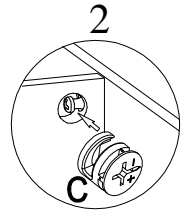
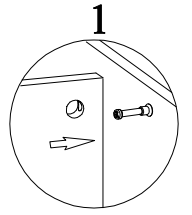
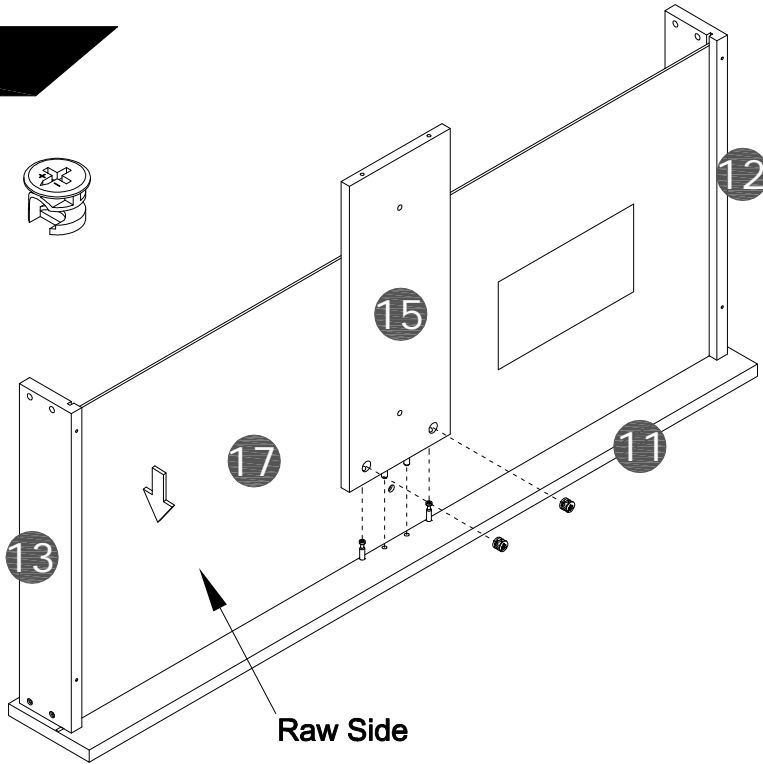


E x 2pcs



STEP 3

C x 2pcs



STEP 4

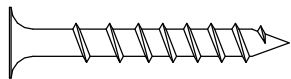
L x 1pc



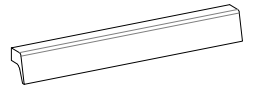
M x 2pcs



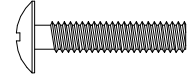
P x 7pcs



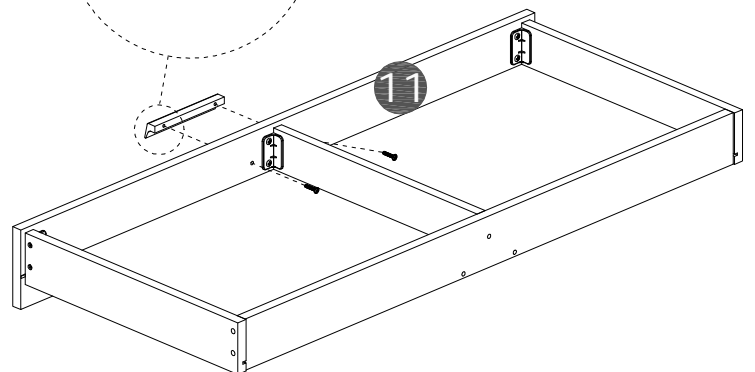
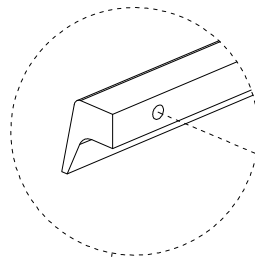
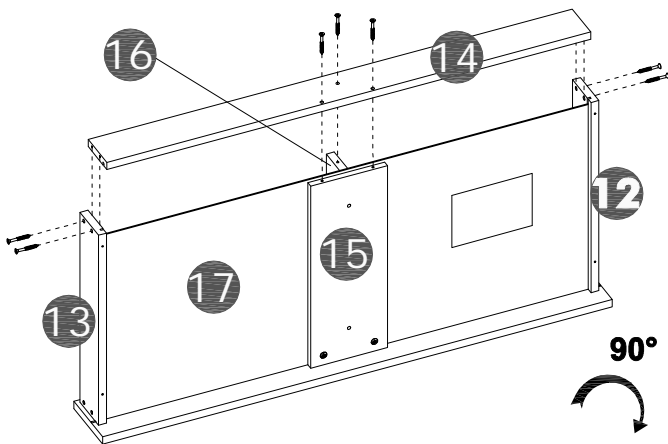
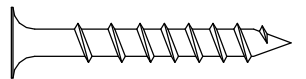
L x 1pc



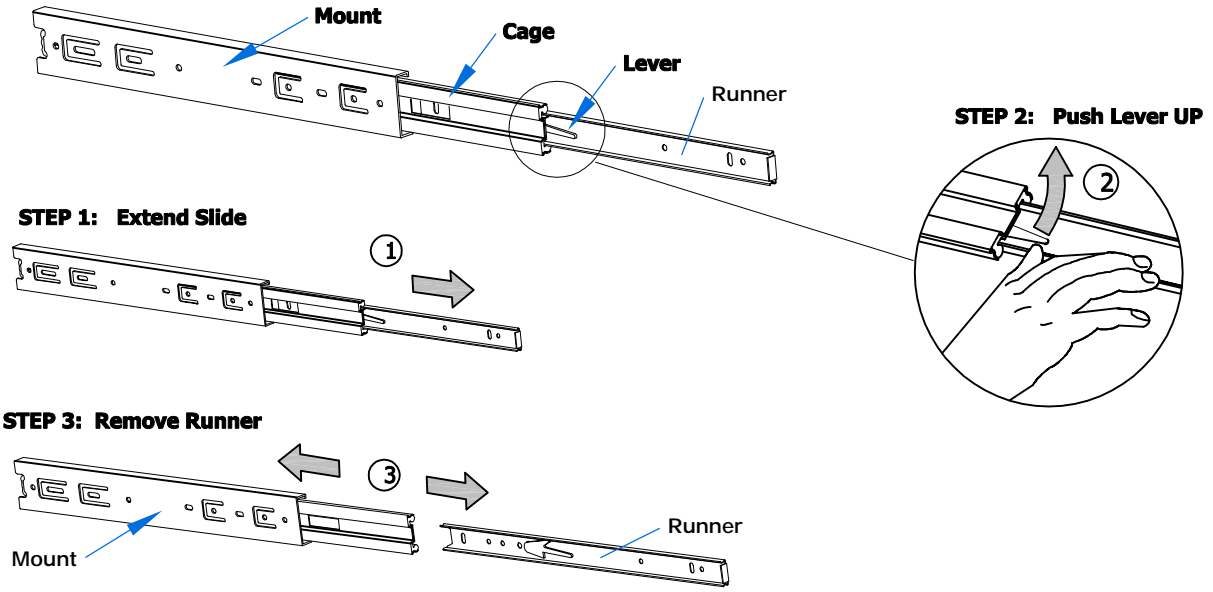
M x 2pcs



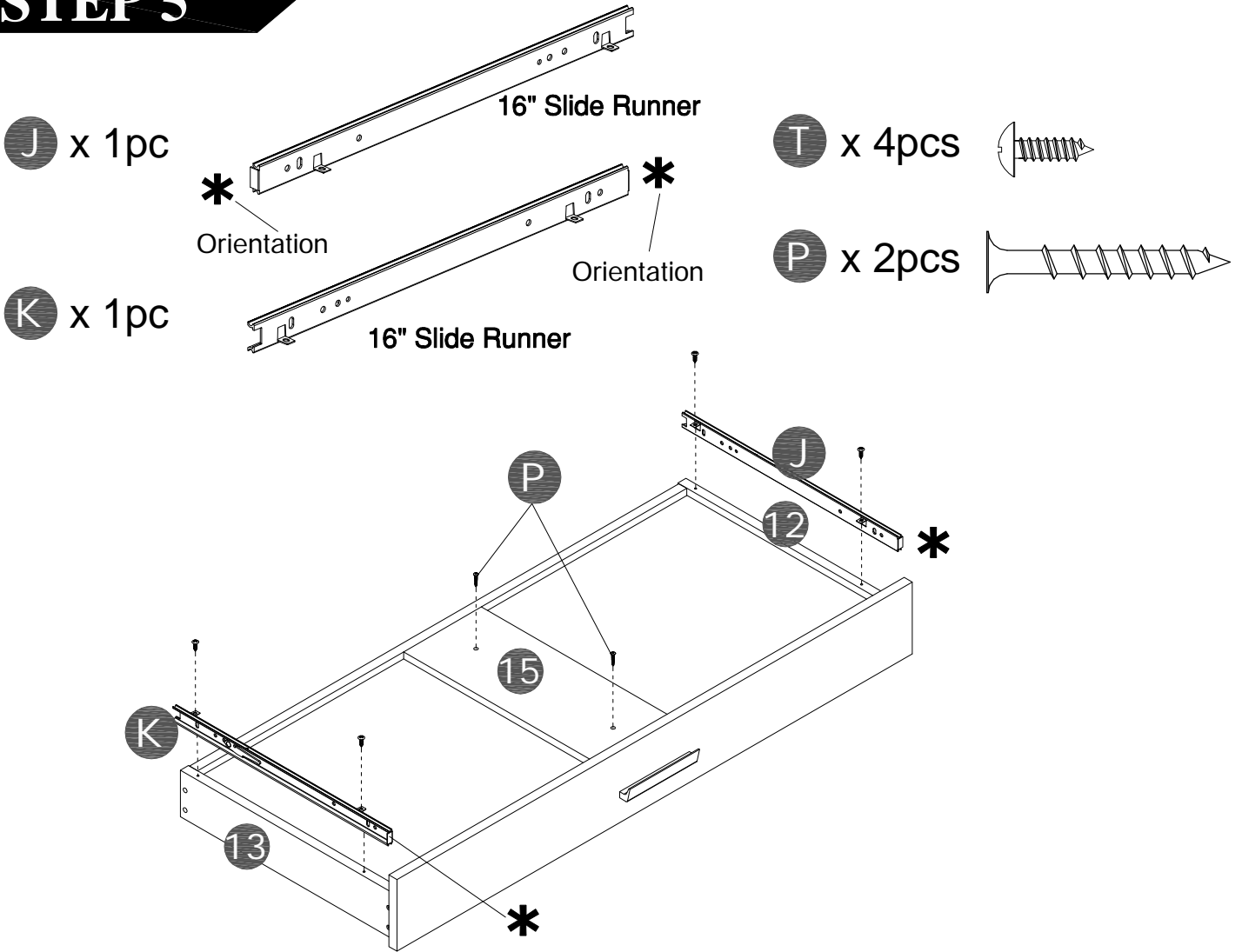
P x 7pcs



**Slides Must Be Separated Before Assembly.
After Separated, Set Aside Until Needed for Assembly.**



STEP 5



STEP 6

J x 1pc

K x 1pc

H x 1pc

R x 1pc

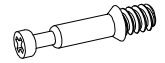
Orientation



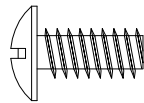
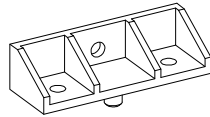
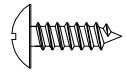
F x 5pcs



B x 2pcs

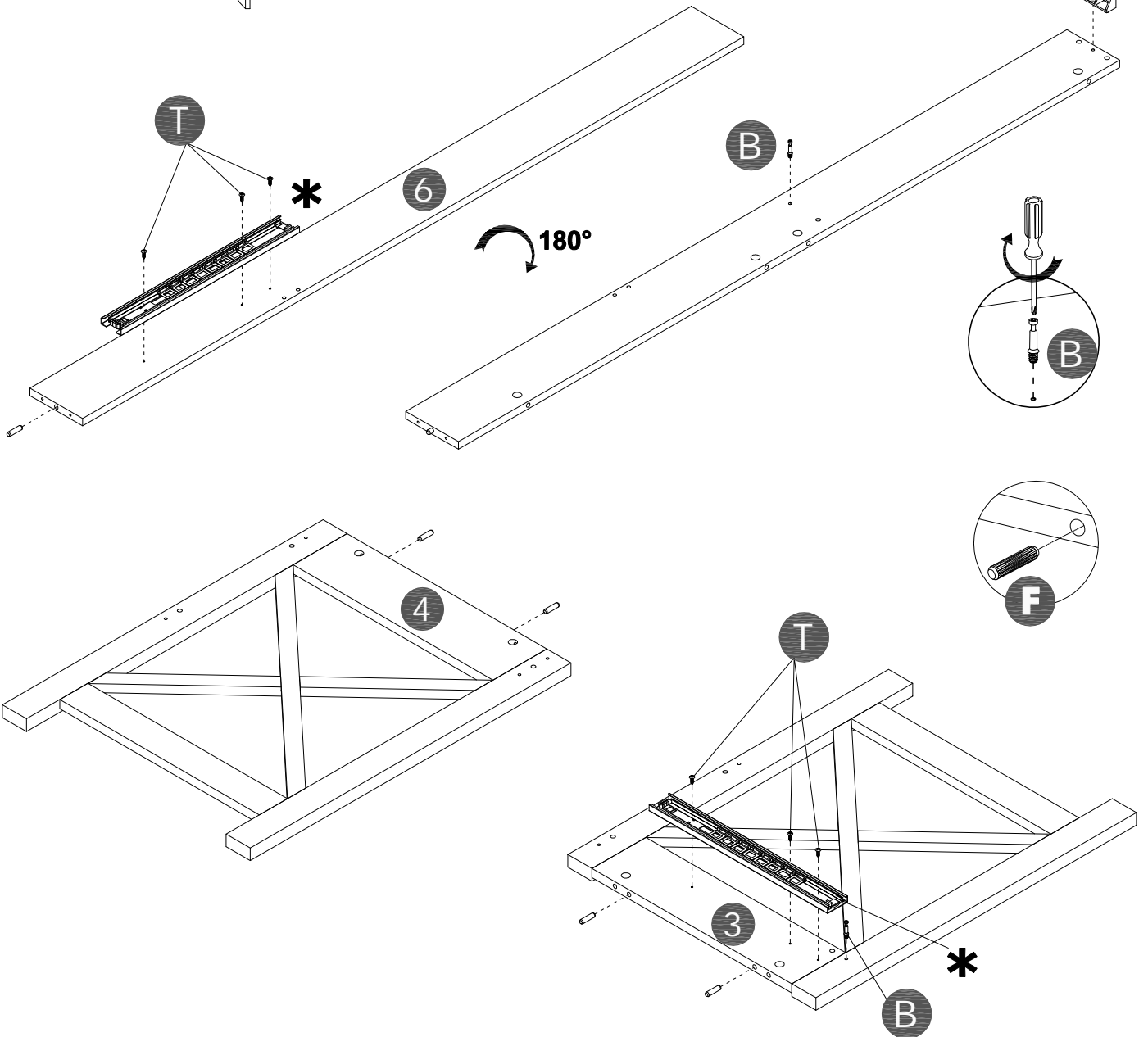


T x 6pcs



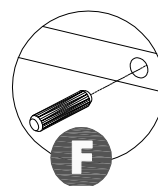
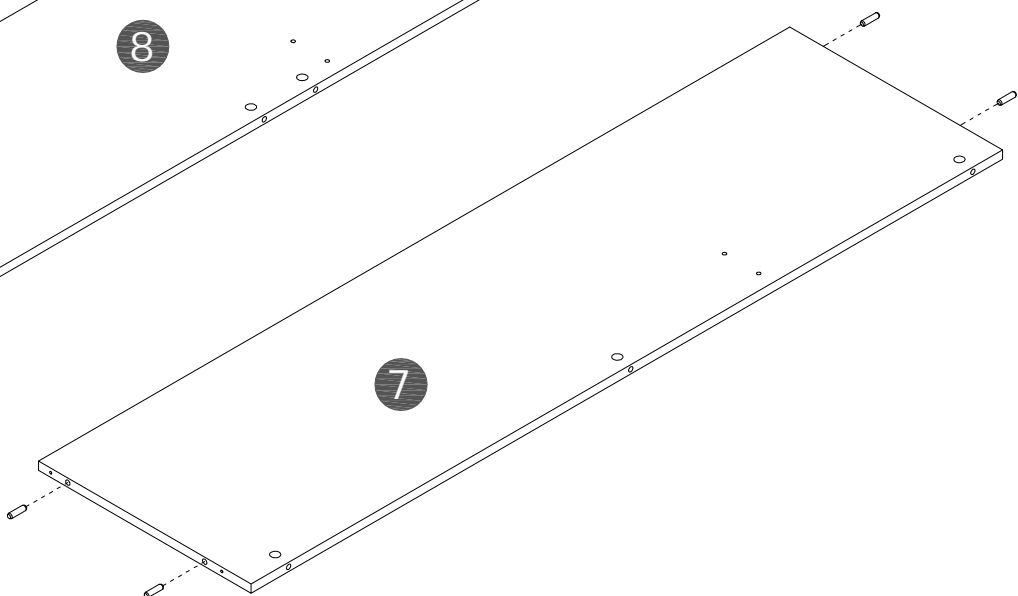
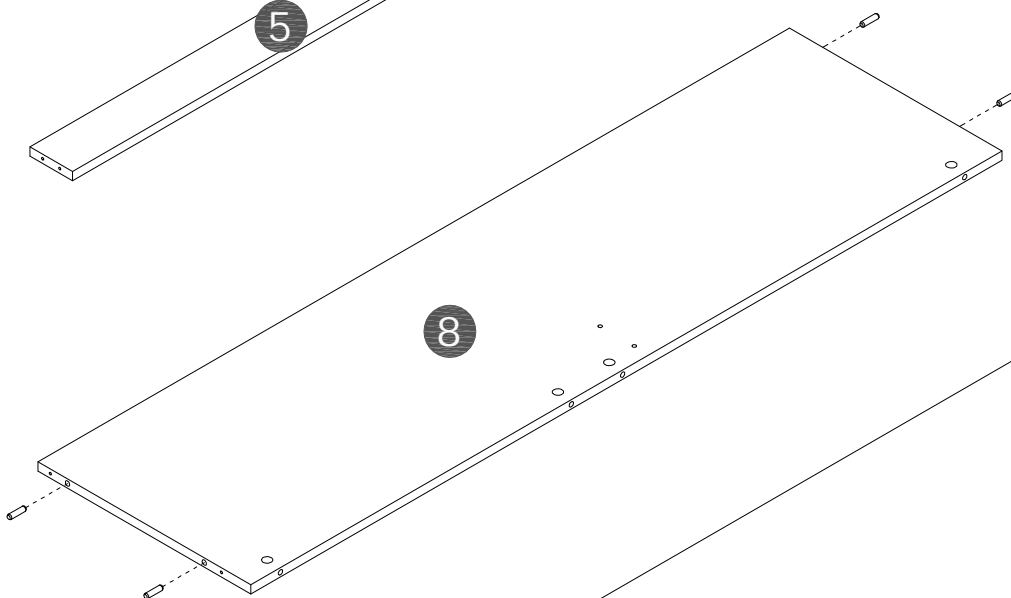
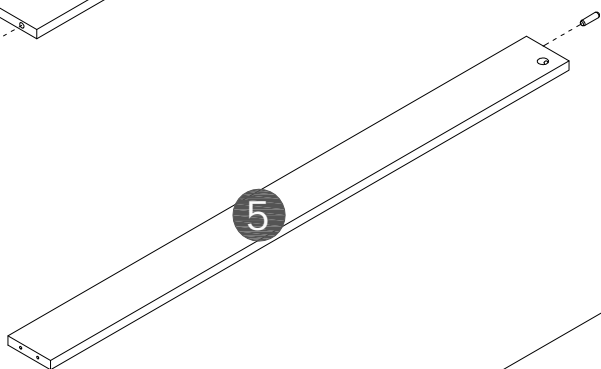
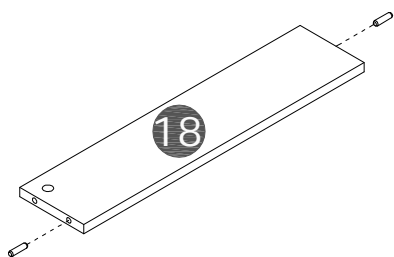
R

H



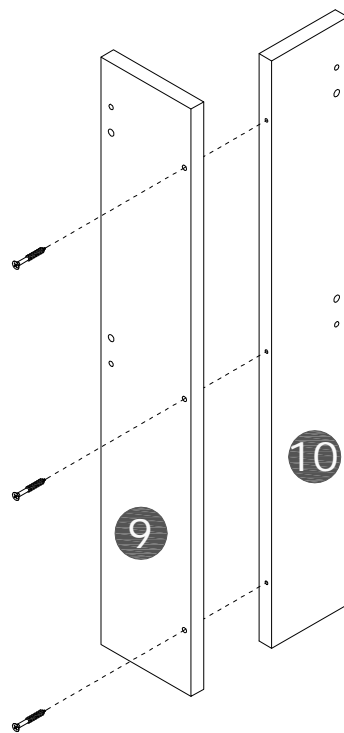
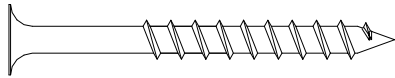
STEP 7

F x 11pcs 



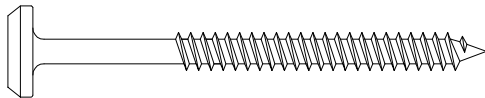
STEP 8

○ x 3pcs

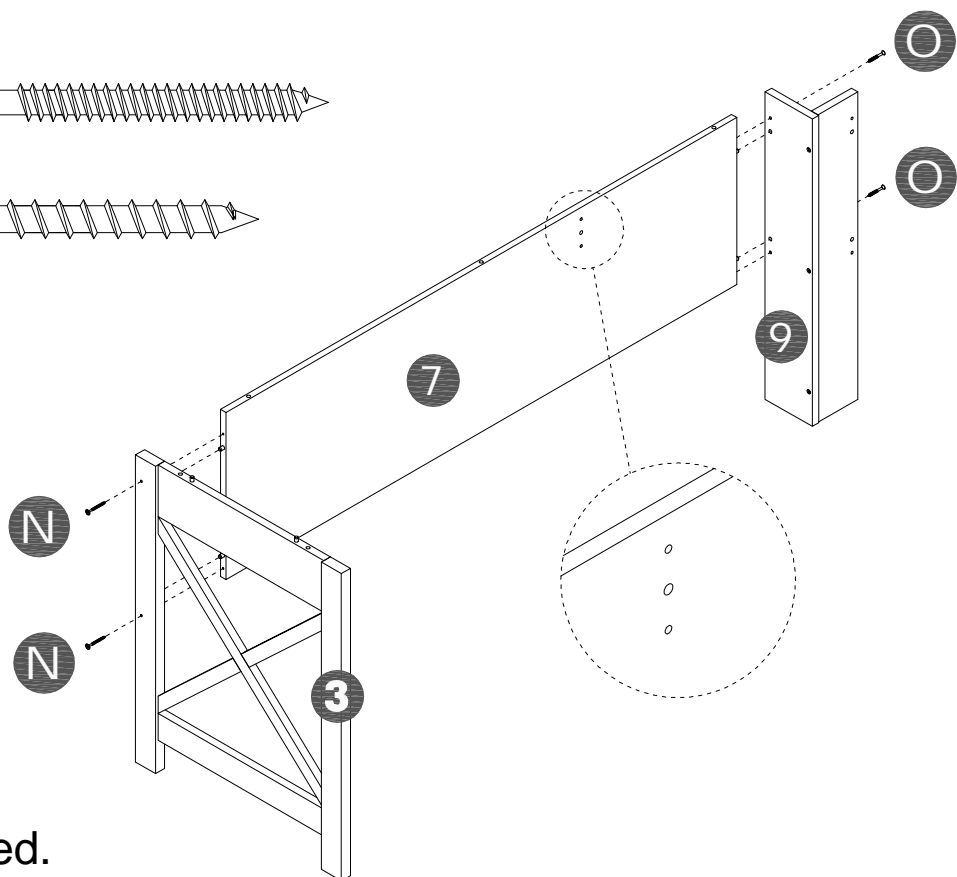
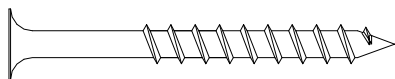


STEP 9

N x 2pcs



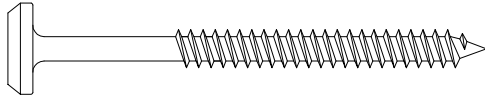
○ x 2pcs



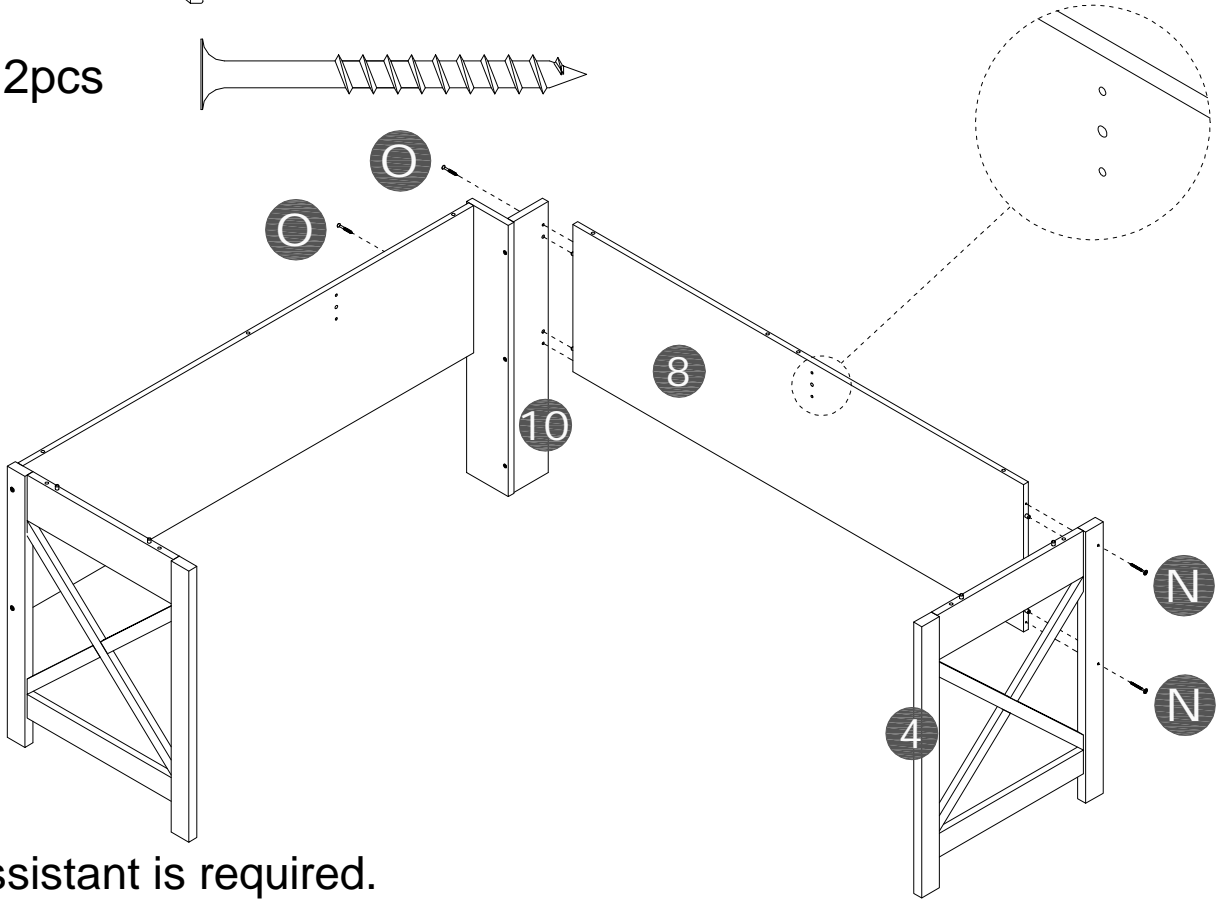
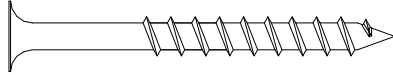
An assistant is required.

STEP 10

N x 2pcs



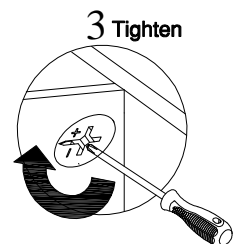
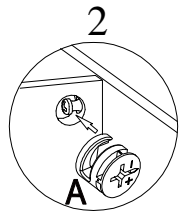
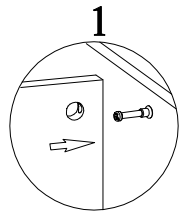
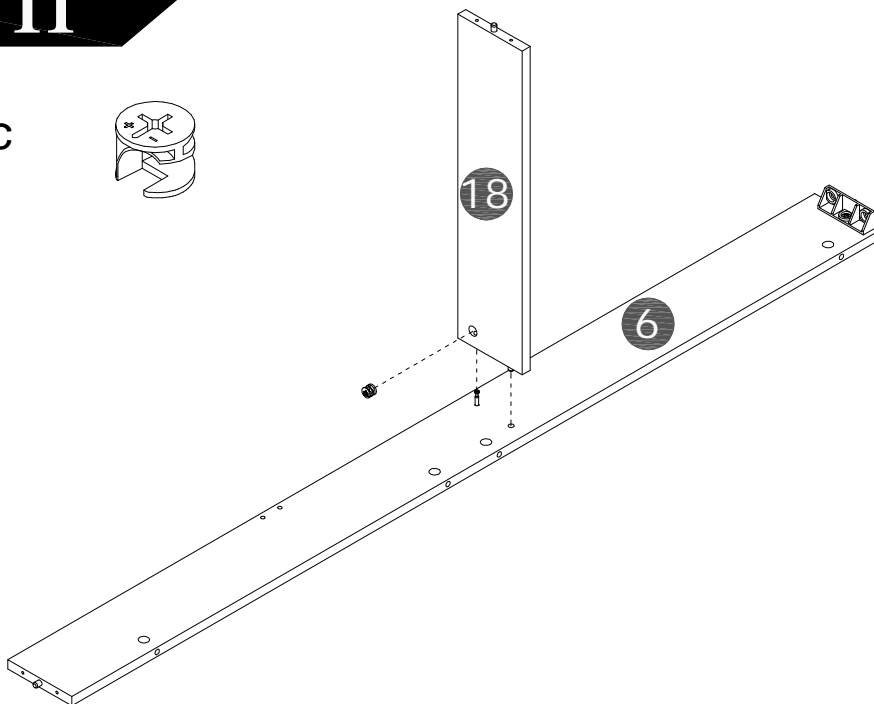
O x 2pcs



An assistant is required.

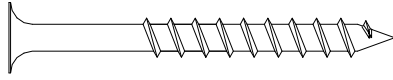
STEP 11

A x 1pc

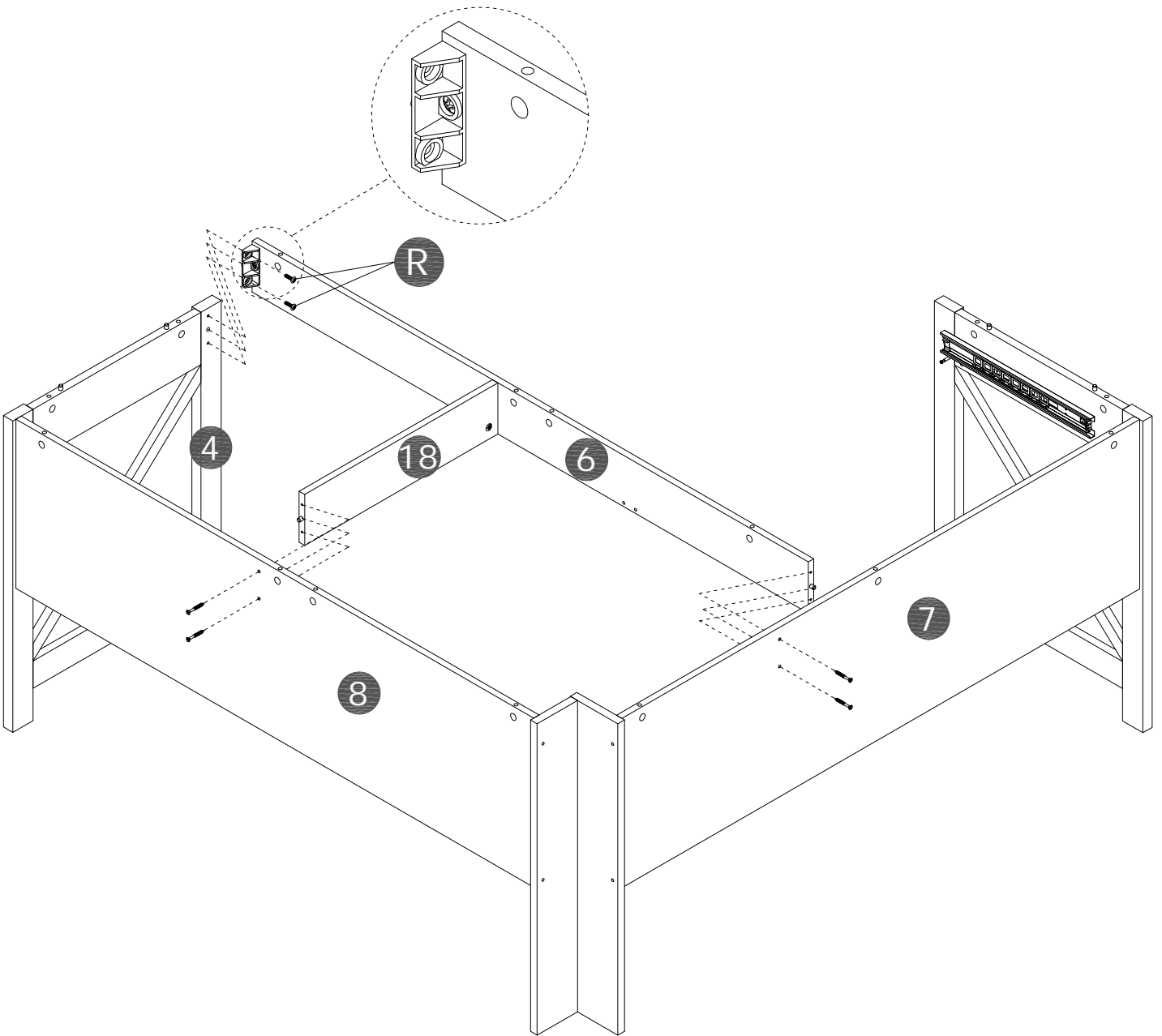
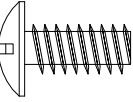


STEP 12

○ x 4 pcs



Ⓡ x 2 pcs

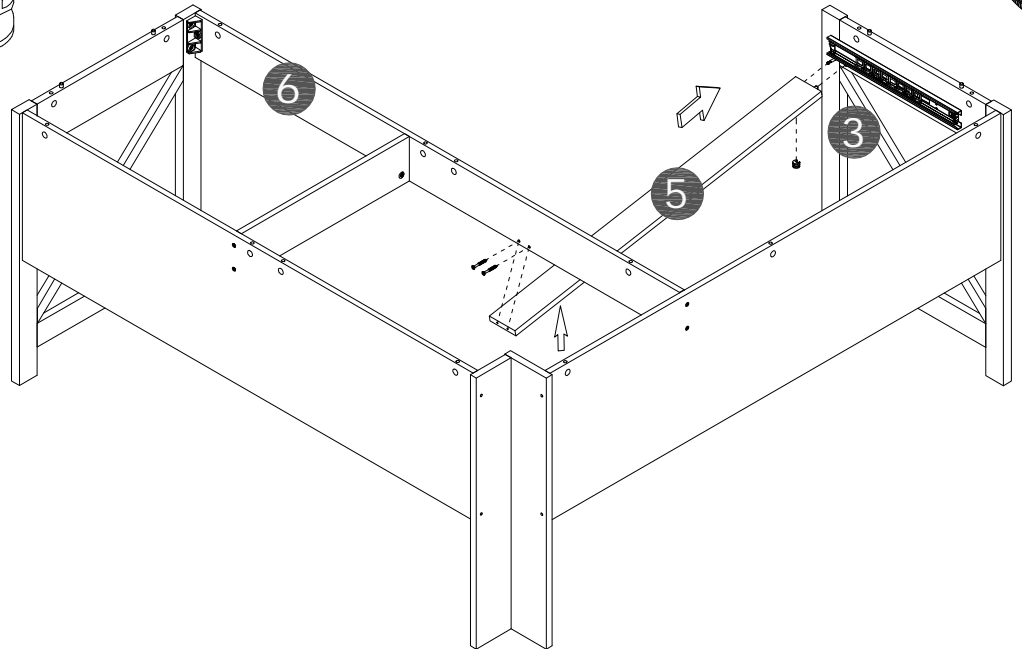
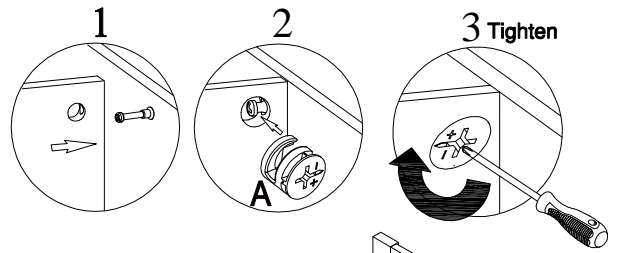
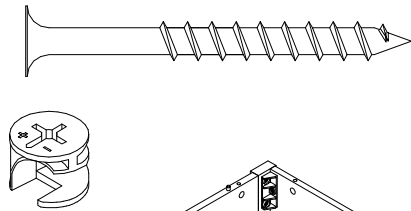


An assistant is required.

STEP 13

○ x 2pcs

A x 1pc

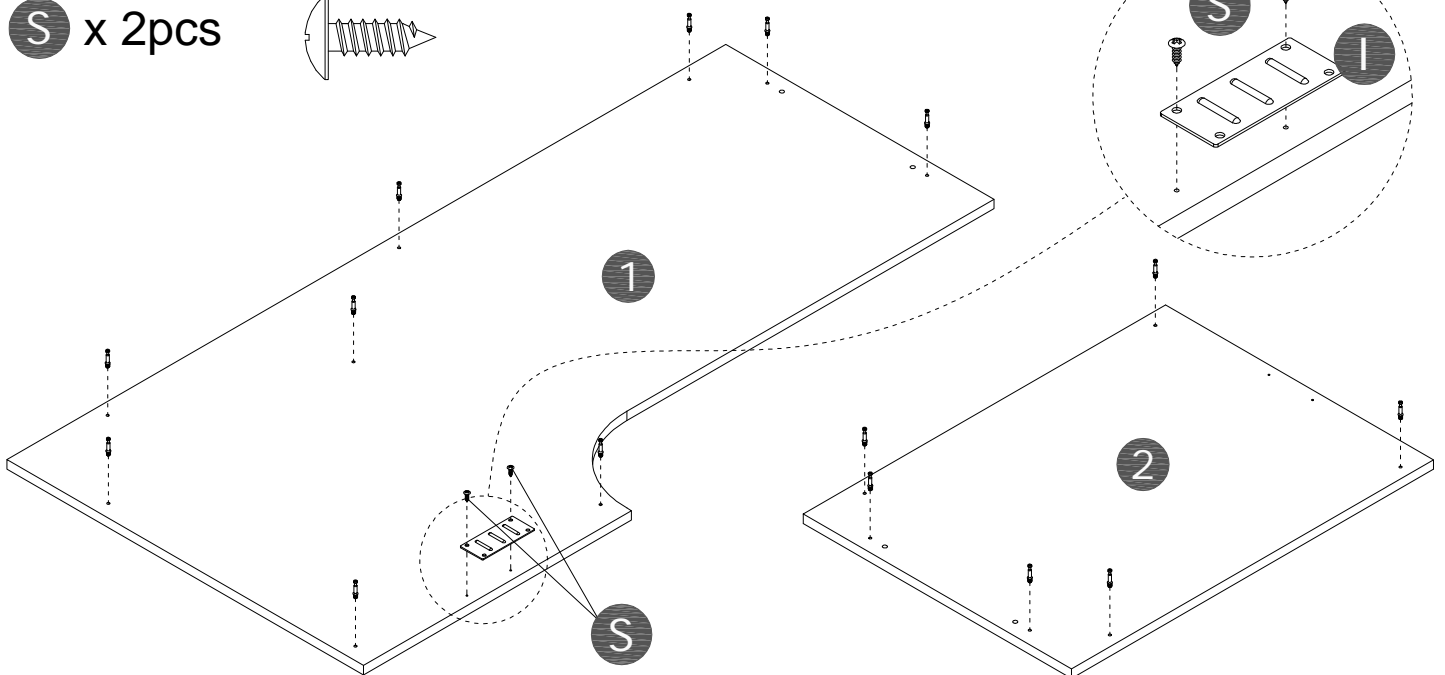
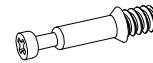
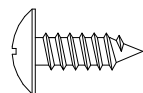
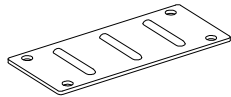


STEP 14

I x 1pc

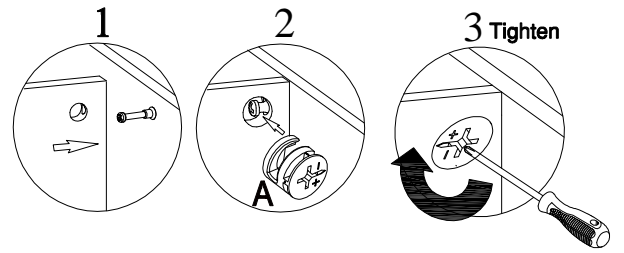
S x 2pcs

B x 15pcs

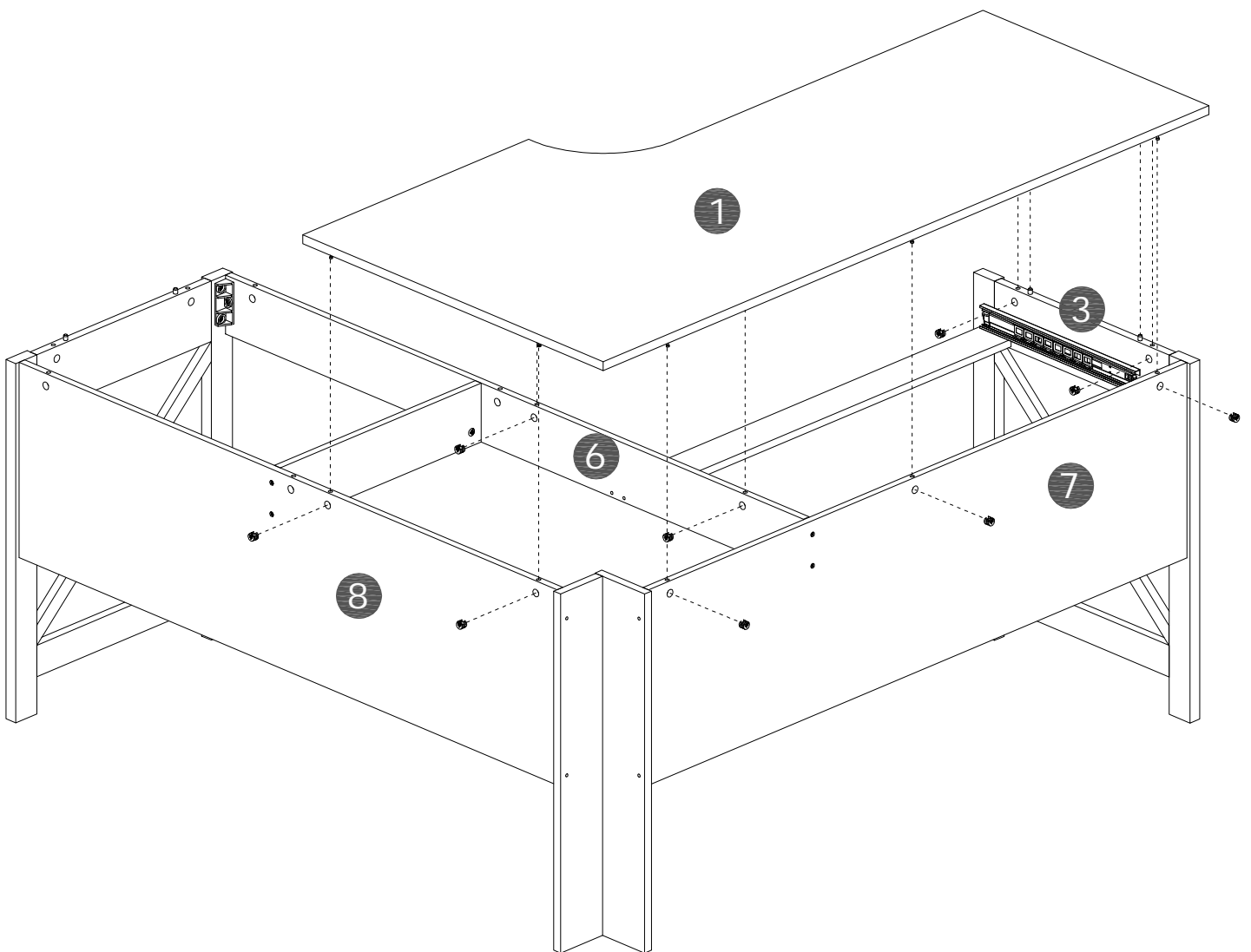


STEP 15

A x 9pcs



An assistant is required.

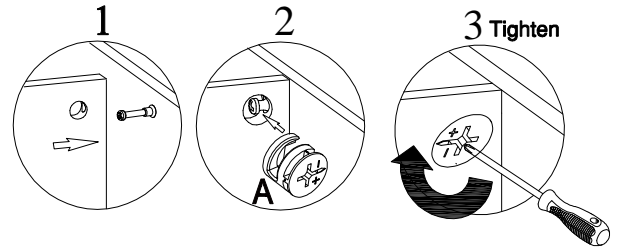
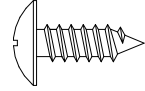


STEP 16

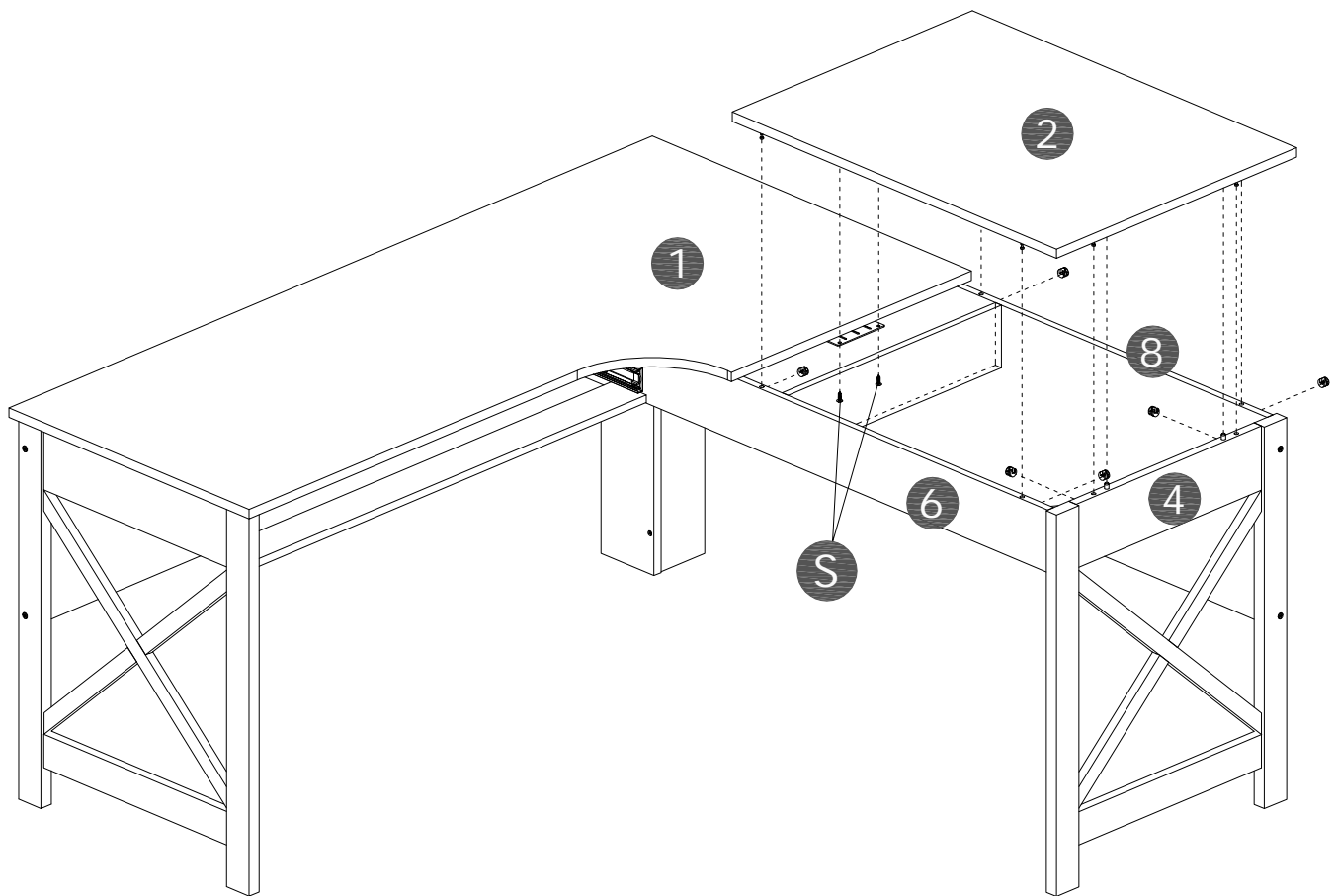
A x 6pcs



S x 2pcs



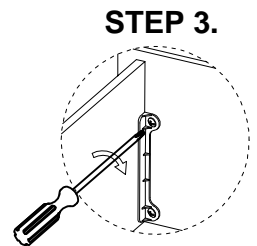
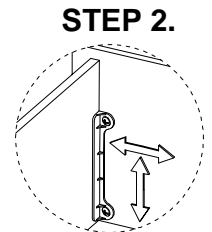
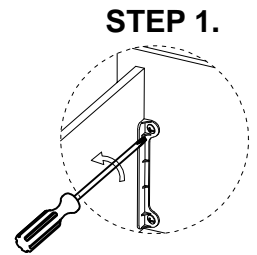
An assistant is required.



STEP 17

- Move unit to final location.
- Adjust drawer fronts as shown below.

- Step1--Loosen screws on back of drawer front brackets as shown.
- Step2--Position drawer front as required.
- Step3--Tighten screws while holding drawer front in position.



DRAWER FRONT VIEW

