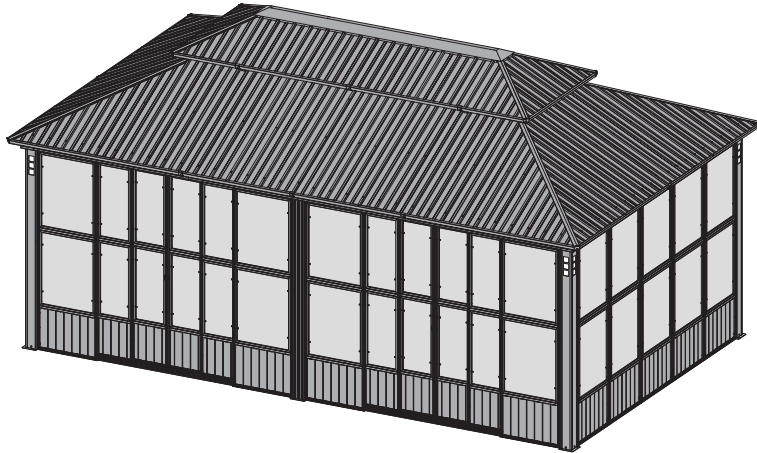


PURPLE LEAF

est. 2013



12' x 20'

***SOLARIUM WITH
DOUBLE ROOF***

Assembly Manual

©Copyright 2013-2024 Purple Leaf Inc. All Rights Reserved

Thank you for your purchase of

PURPLE LEAF's Gazebo

Read and follow this assembly and operation guide.

To reduce personal injury and damage to your gazebo

We recommend a **two-person team** for assembly and disassembly.

If you are satisfied with our product, share with your friends.

If you have any problems with our product, feel free to contact us.

PURPLE LEAF



Warnings and Cautions

Please read the instruction carefully before assembly and retain it for future usage.

Make sure you have all the parts & hardware as the check list shows.

***2 adults or more** are recommended to install your gazebo.*

Do not discard any of the packaging until you have checked that you have all the parts and pack of fittings.

Check all bolts for tightness before using, and periodically check and tighten bolts to ensure your gazebo works properly.

Some parts might have sharp edges/corners. Please follow basic safety precautions to reduce the risk of injuries.

CHOKER HAZARD

**THIS ITEM CONTAINS SMALL PARTS WHICH CAN BE SWALLOWED BY CHILDREN.
PLEASE KEEP IT AWAY FROM CHILDREN UNDER 3 YEARS OLD and PETS DURING INSTALLATION.**

Pre-assembly

TOOLS THAT MAY BE REQUIRED (Not included in boxes)

*NOTE: Tools / equipment are not shown to actual size and scale.



LEVEL



RUBBER Mallet



CROSS SCREWDRIVER



DRILL



ALLEN WRENCH
DRILL (BIT S2 7/32")

EQUIPMENT REQUIRED (Not included in boxes)

*NOTE: Equipment are not shown to actual size and scale.



SAFETY HAT



GLOVES



SAFETY GOGGLES



STEPLADDER

Matters needing attention



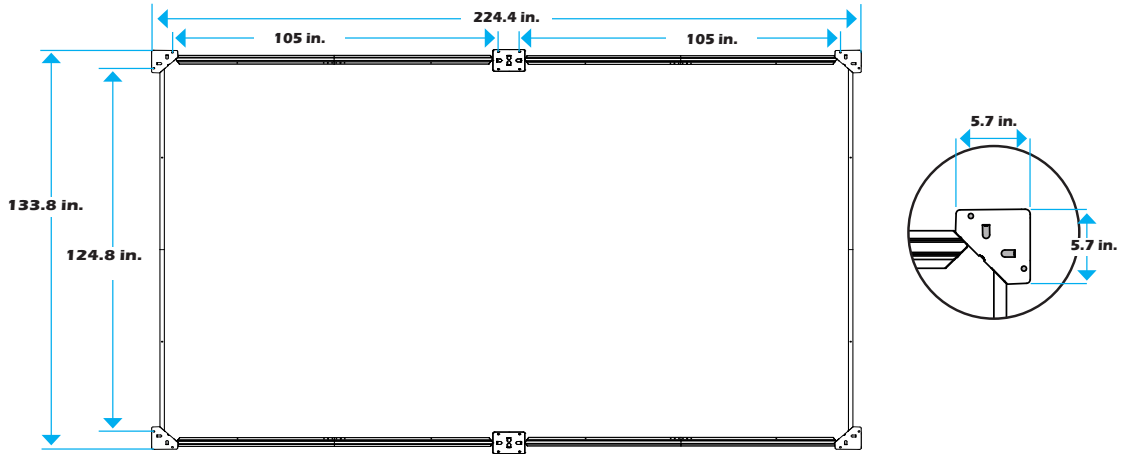
1. Two or more people are required for assembly.



2. Do not fully tighten the screws until finish each step of installation.

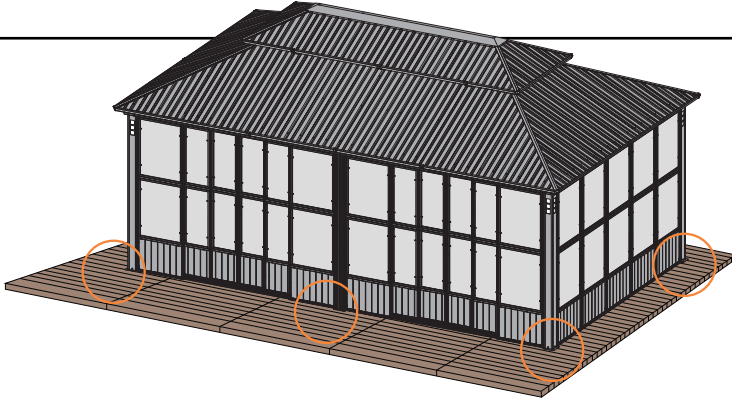
MOUNTING BLUEPRINT

Solarium 12'x20'



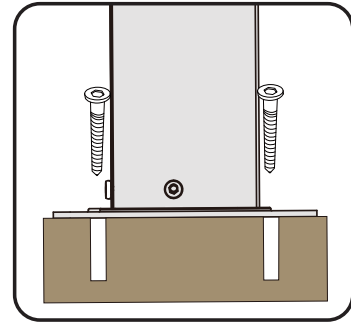
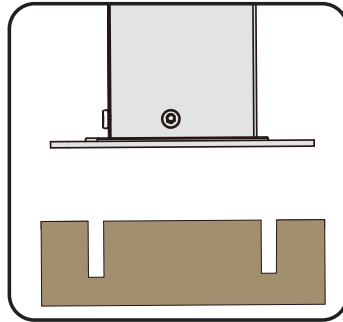
Attention: The above dimensions are manually measured and error is within 1-2 inches. We suggest you anchor the gazebo after installed the main frame.

1

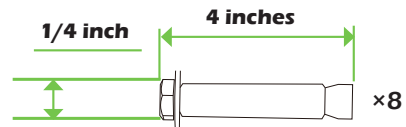
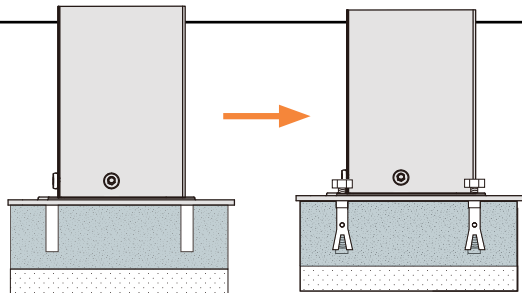


(not included in package)

If the deck is hardwood and the depth of it is over 3 inches, you can use **1/4 in. x 3 in. Structural Wood Screw** to mount the gazebo.



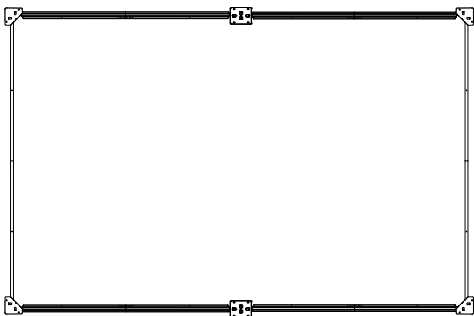
2



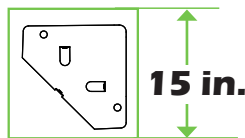
(not included in package)

If the ground is concrete and the depth of it is over 3 inches, you can use 1/4 inch expansion bolts to mount the gazebo.

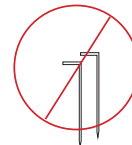
3



If the patio is in dirt, customize the concrete block in **15 x 15 X 15 inches** and at least **50 lbs**. Bury the block into the dirt. Then use expansion bolts to anchor the legs in the concrete blocks.



IMPORTANT:
Anchor is not recommended



CHECK LIST



A × 4



E2 × 8



A1 × 2



F × 4



C × 2



G × 4



C1 × 2



G1 × 4



D × 2



H × 2



D1 × 2



H1 × 2



D2 × 2



H2 × 2



E × 4



H3 × 4



E1 × 4



J × 2





J1 × 2



J2 × 2



J3 × 4



K × 2



K1 × 2



K2 × 2



K3 × 2



K4 × 2



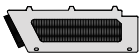
K5 × 2



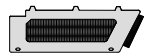
O × 2



O1 × 2



O2 × 2



O3 × 4



R × 2



R1 × 2



R2 × 2



R3 × 2



R4 × 2



R5 × 2



T × 2



T1 × 2

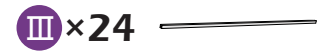
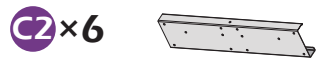
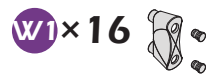
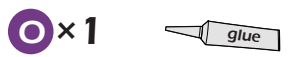
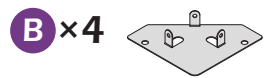


T2 × 2



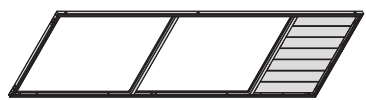
T3 × 2



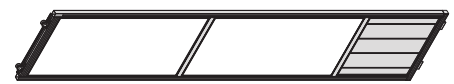




V × 8



Y × 4



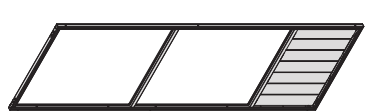
V1 × 2



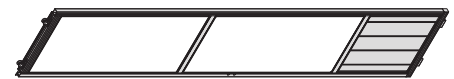
Y1 × 4



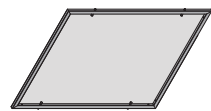
V2 × 8



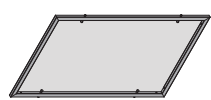
Y2 × 4



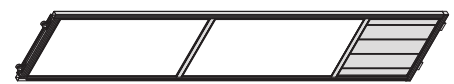
AA × 36

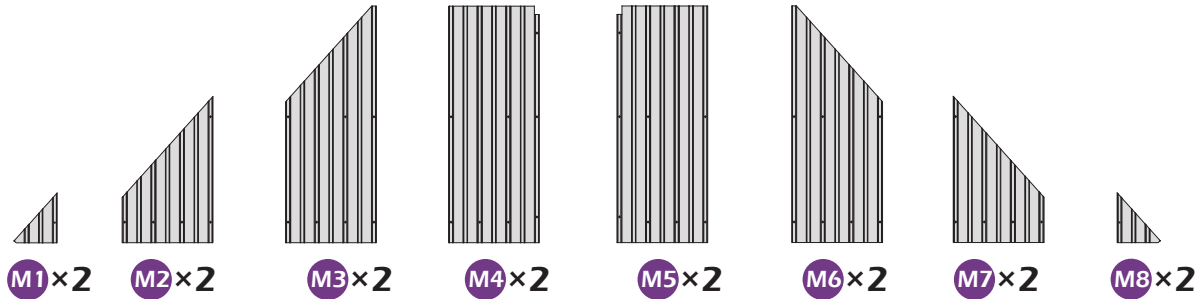
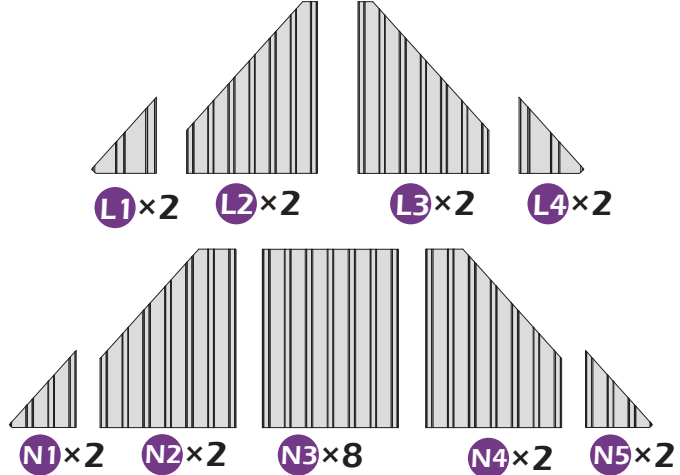


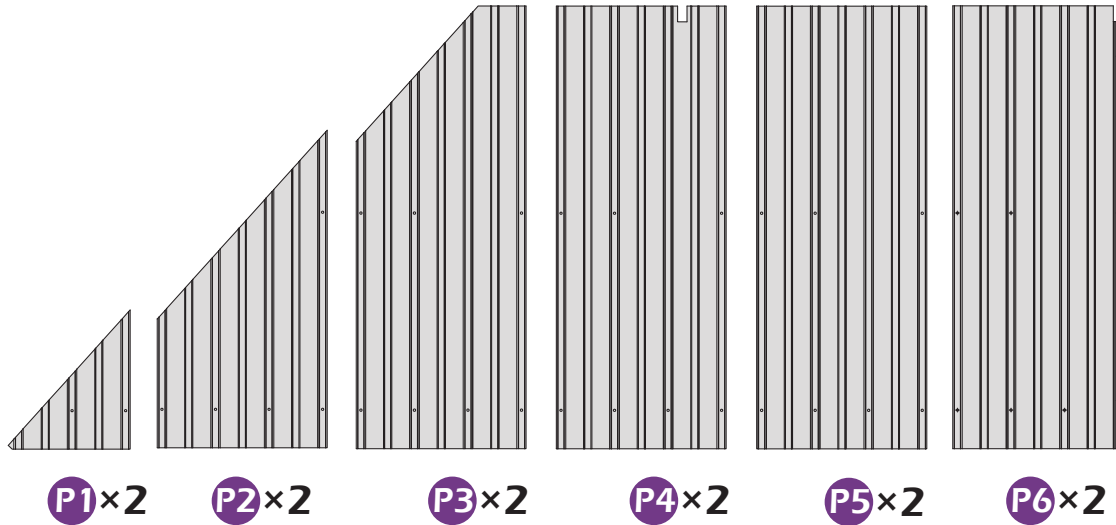
BB × 32

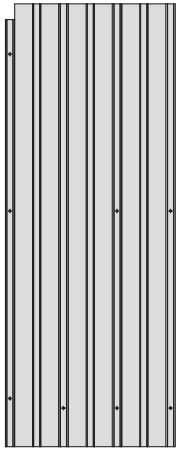


Y3 × 4

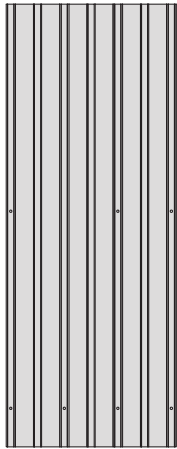




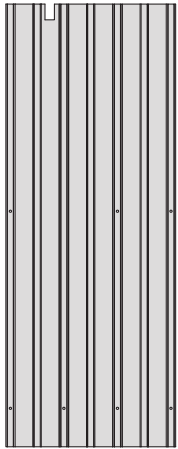




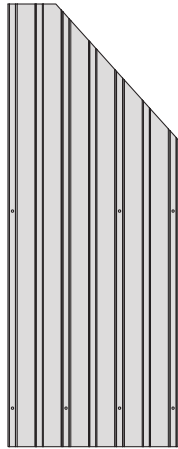
P7 × 2



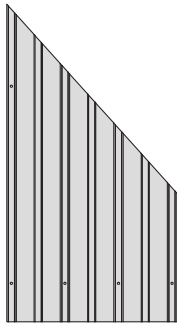
P8 × 2



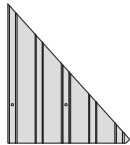
P9 × 2



P10 × 2

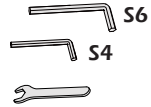


P11 × 2

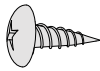


P12 × 2

1# × 1



2# × 12
(ST6.3 × 15)



3# × 28
(ST5 × 16)



4# × 16
(M6 × 15)



5# × 188
(M6)



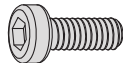
6# × 16



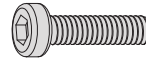
7# × 32
(M6 × 10)



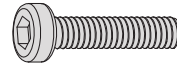
8# × 330
(M6 × 16)



9# × 8
(M6 × 25)



10# × 116
(M6 × 28)



11# × 4
(M6 × 45)



12# × 48
(M6 × 50)



13# × 20
(M6 × 55)



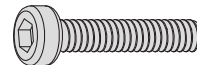
14# × 60
(M6 × 30)

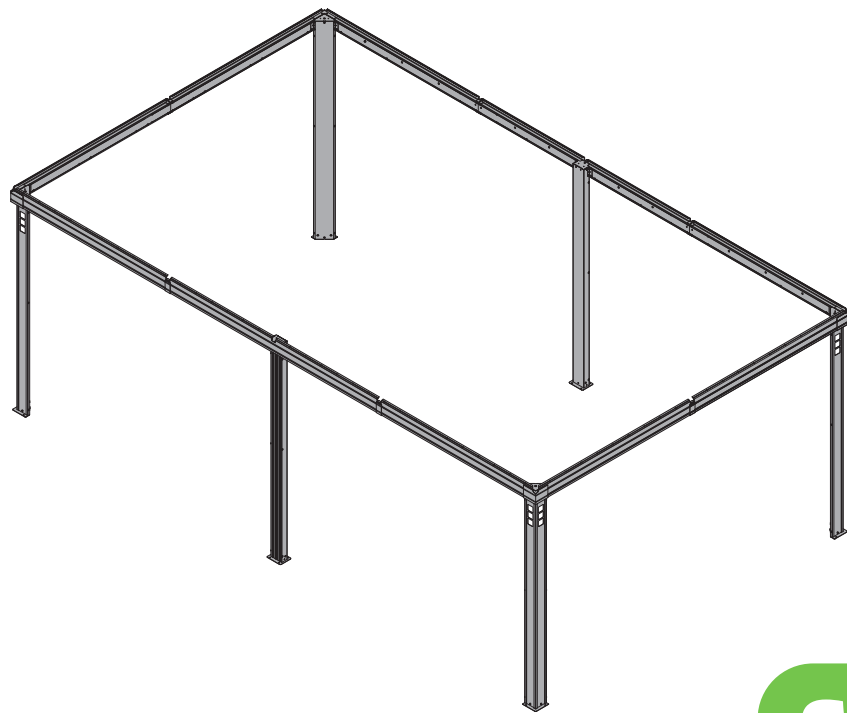


15# × 16
(M4 × 10)



16# × 72
(M6 × 30)





STEP 1



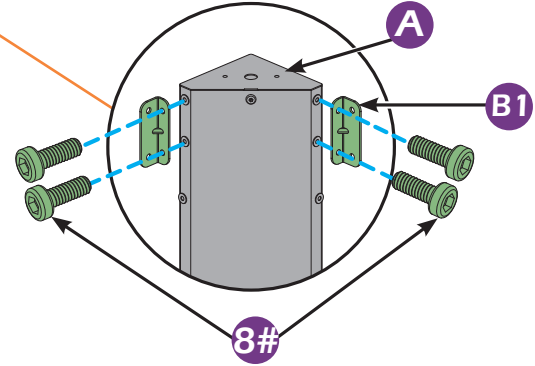
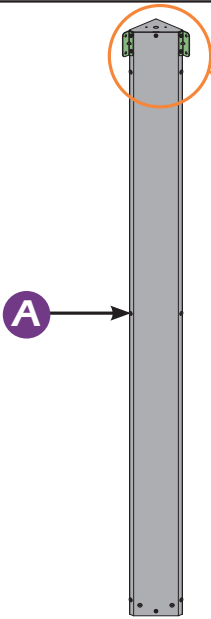
A × 4



B1 × 8



8# × 16



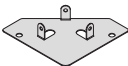
STEP 1



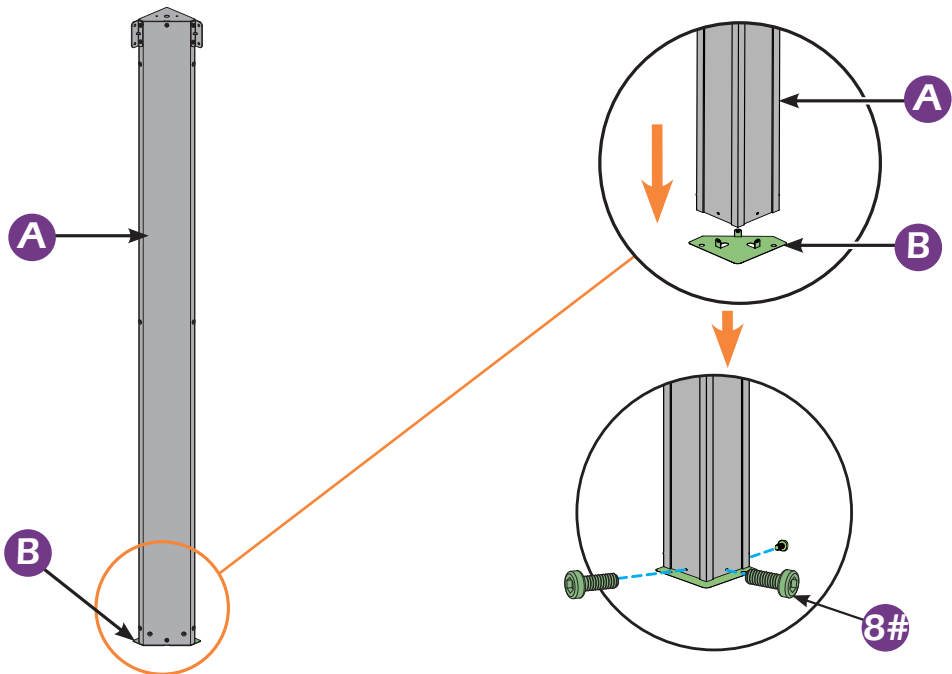
A × 4



B × 4



8# × 12



STEP 1



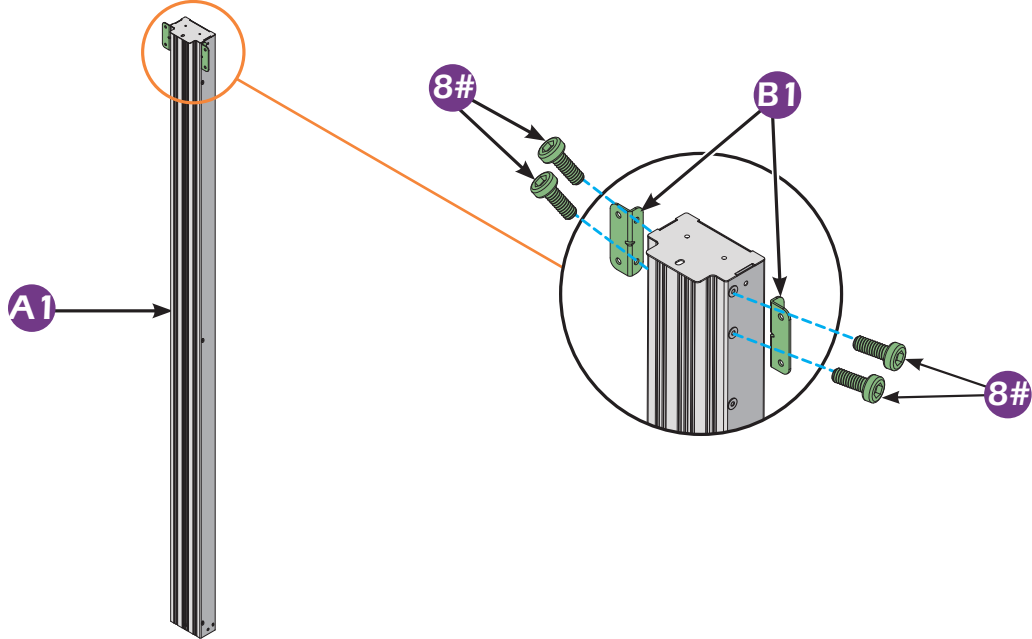
A1×2



B1×4



8#×8



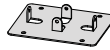
STEP 1



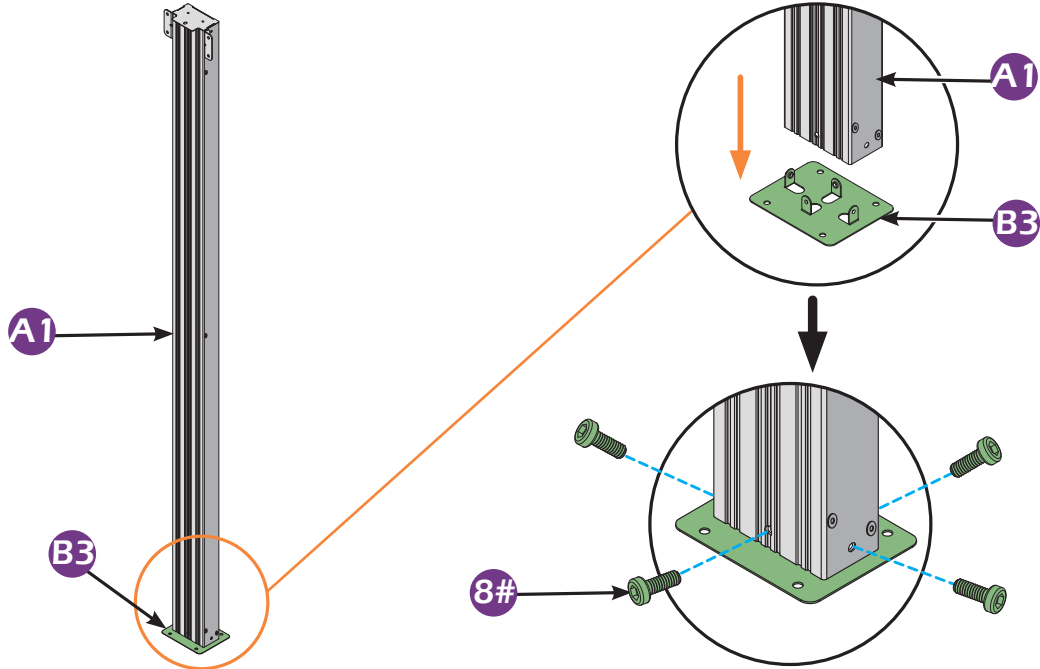
A1×2



B3×2



8#×8



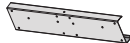
STEP 1



C × 2



C2 × 2



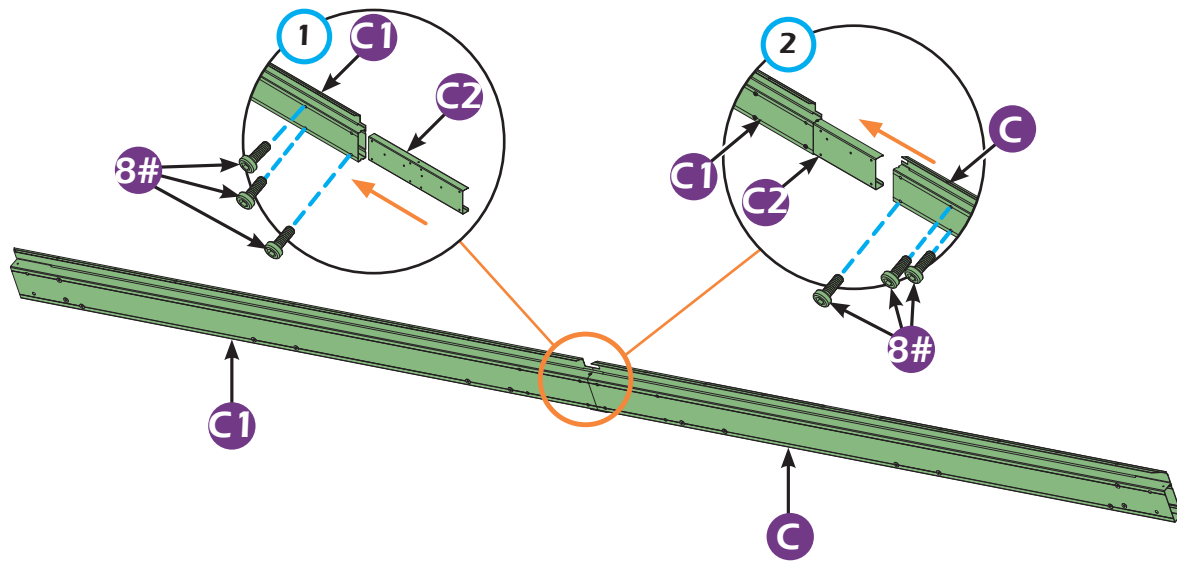
8# × 20



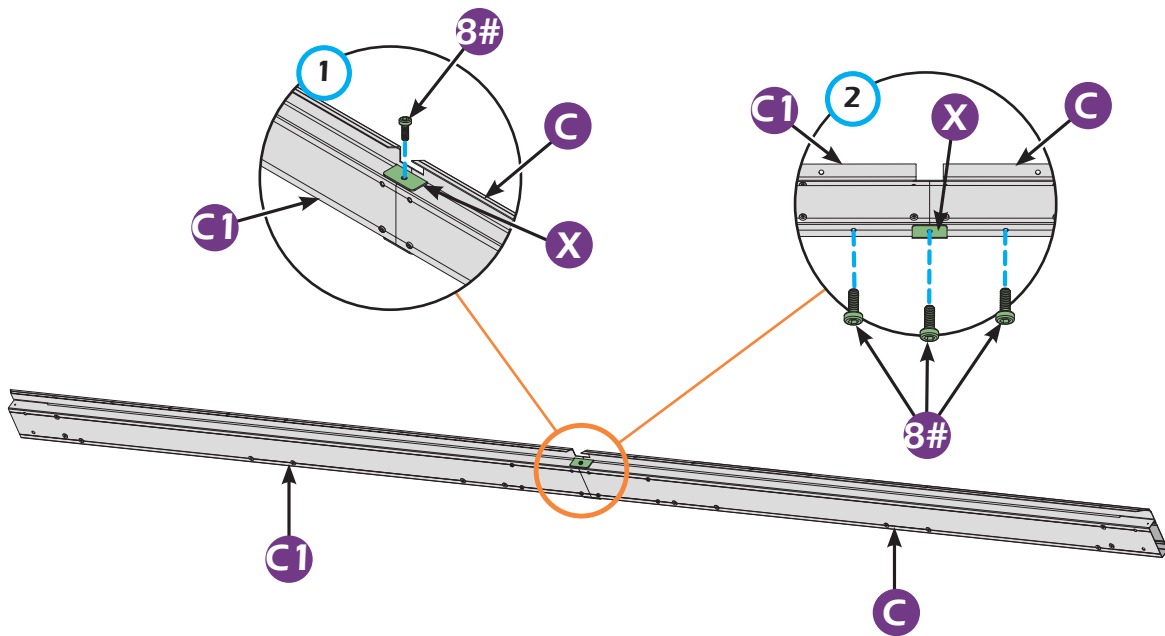
C1 × 2



X × 2



STEP 1



STEP 1



D × 2 

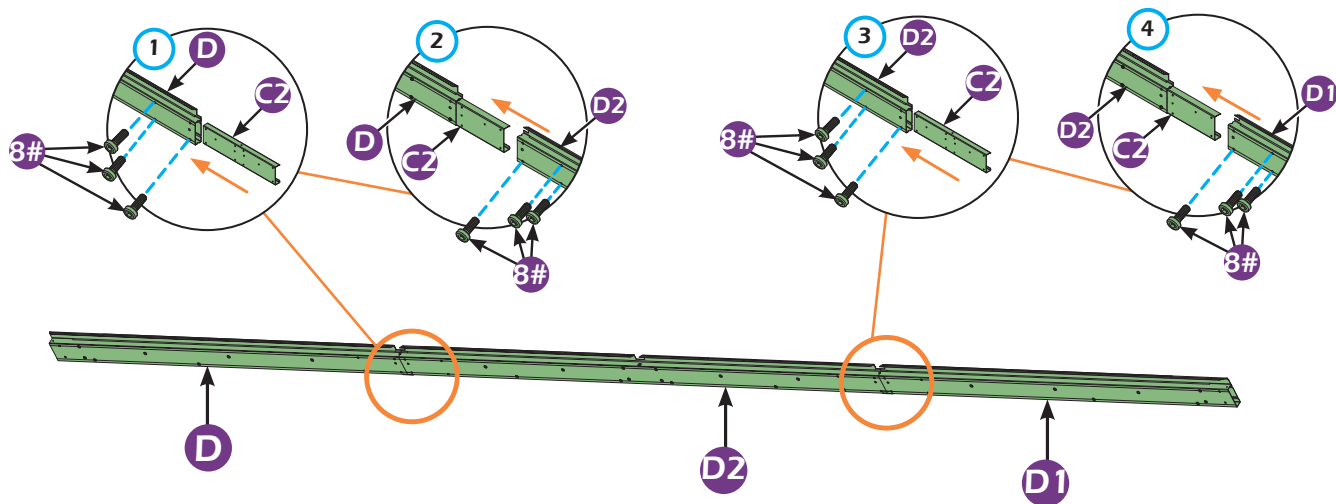
D2 × 2 

8# × 40 

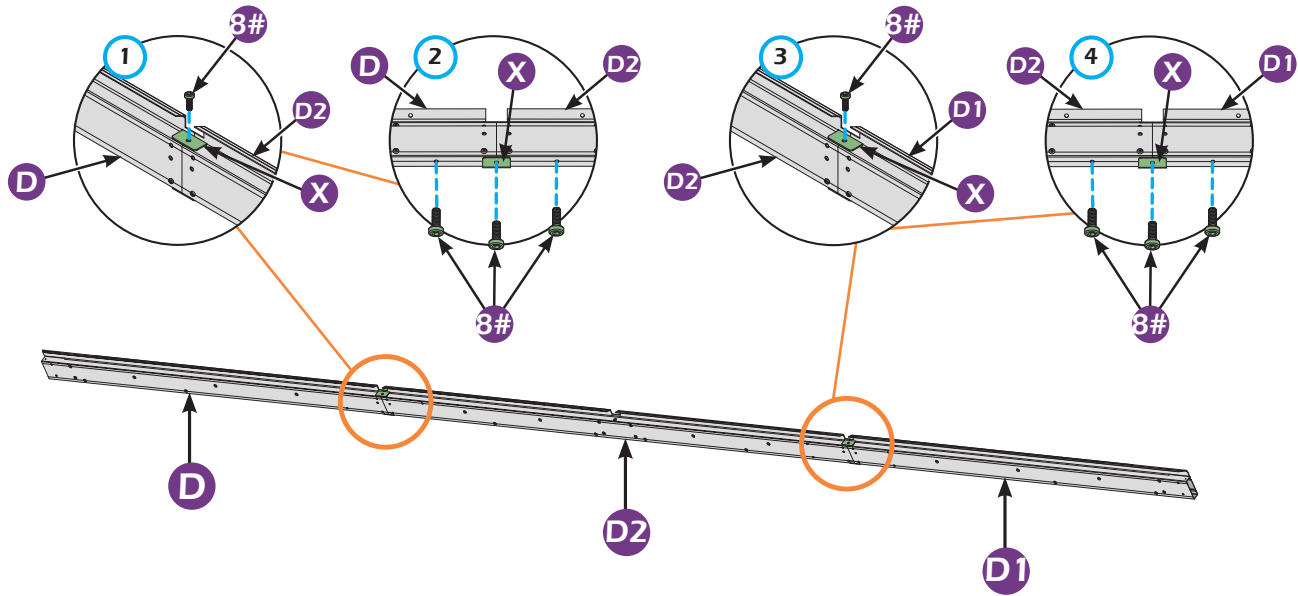
D1 × 2 

C2 × 4 

X × 4 



STEP 1

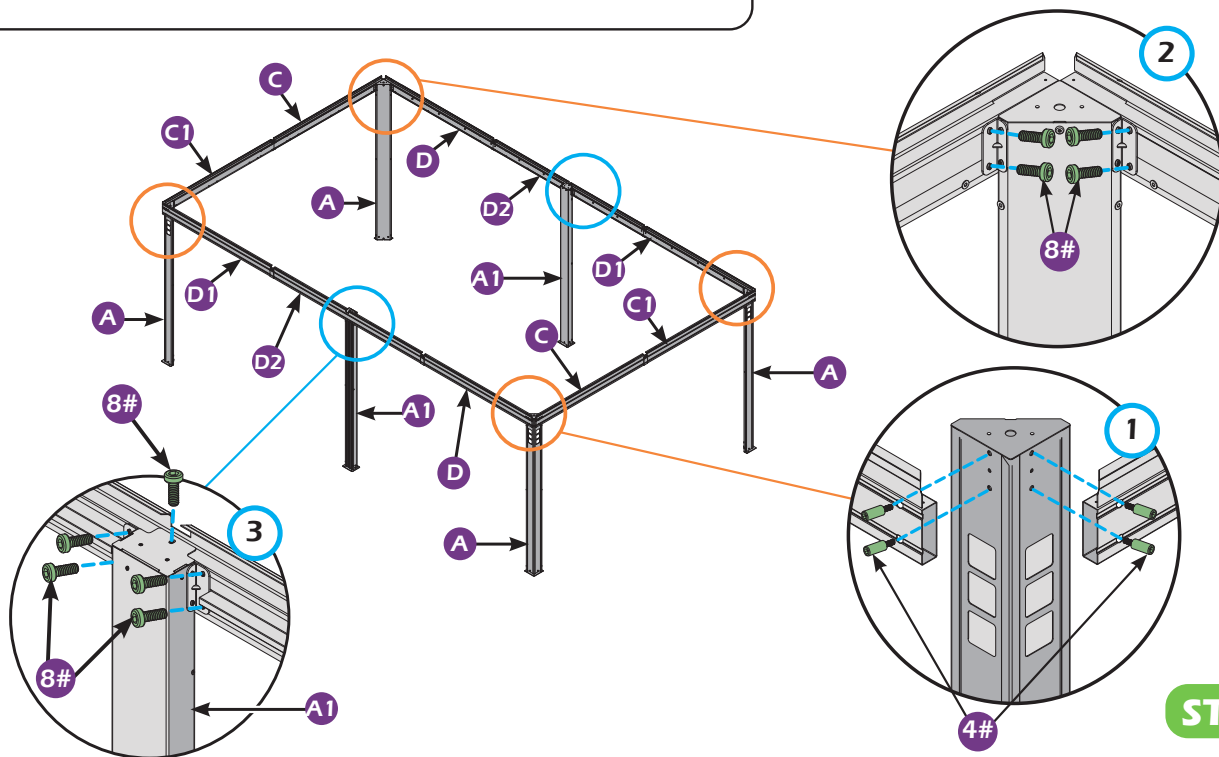


STEP 1

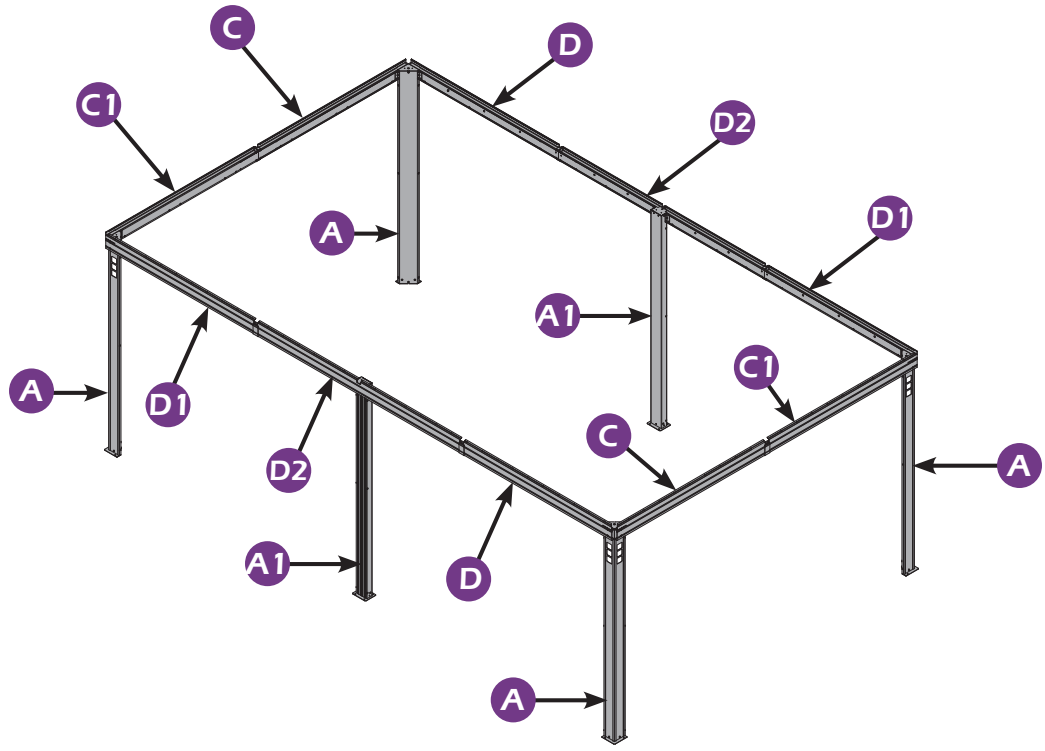


4#×16 

8#×26 



STEP 1



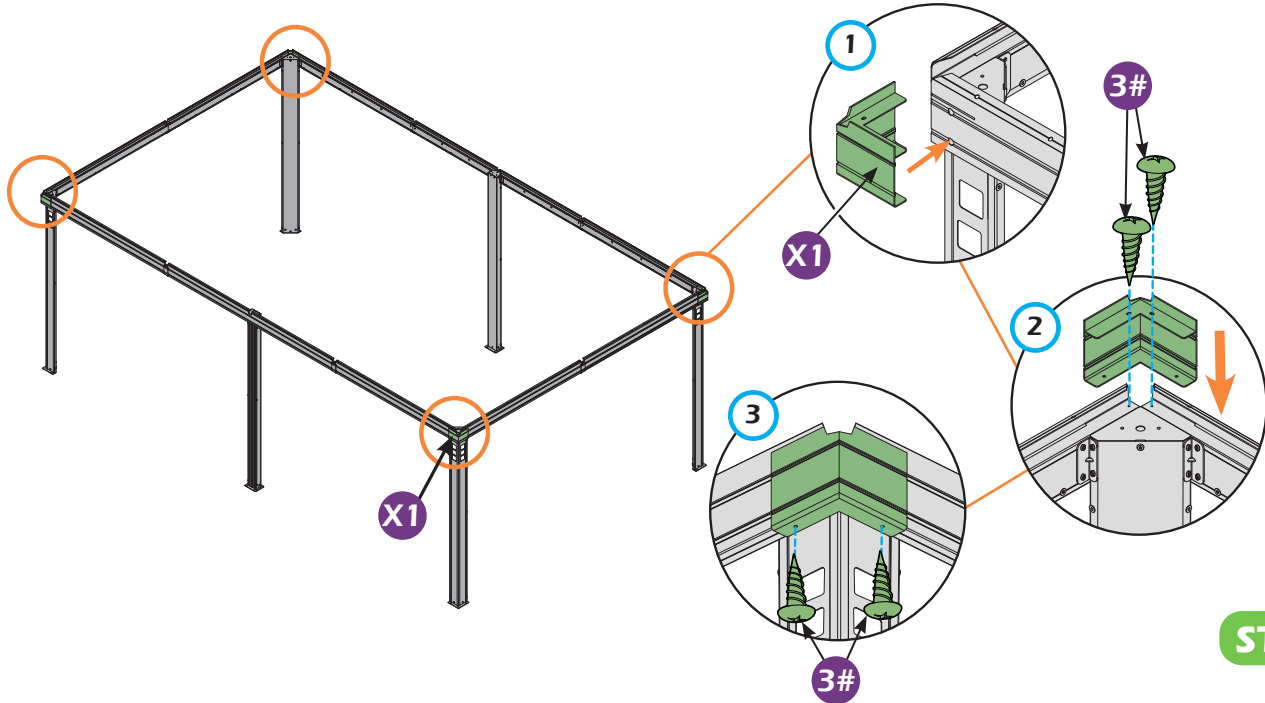
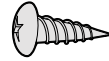
STEP 1



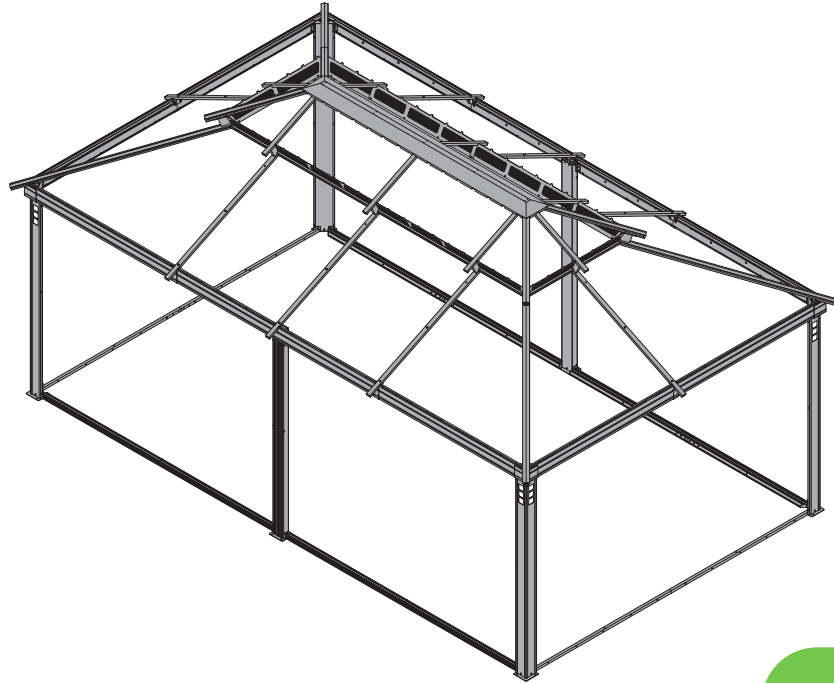
X1 × 4



3# × 16



STEP 1



*Anchor the gazebo once finish **Step 2**.

STEP 2



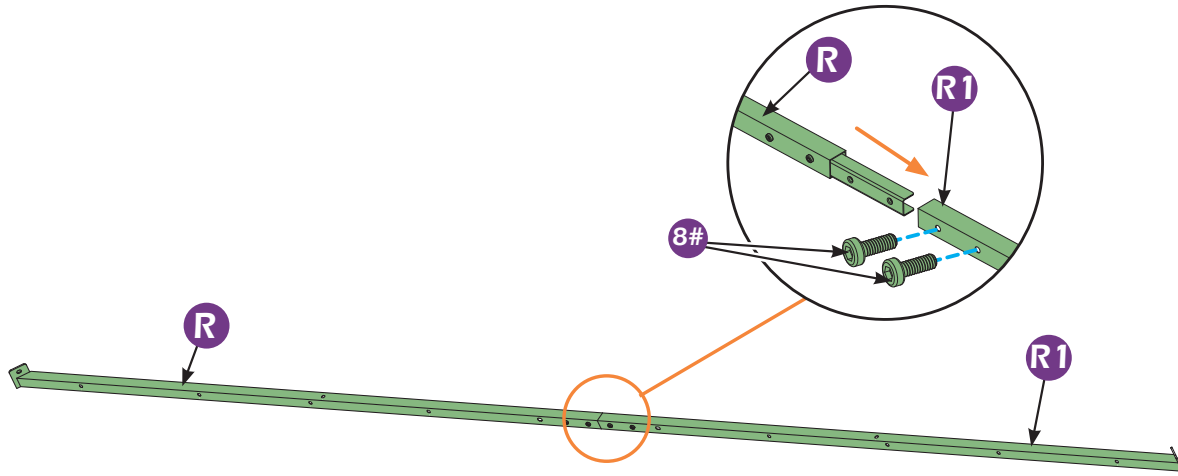
R × 2



R1 × 2



8# × 4



STEP 2



T × 2 

T2 × 2 

T4 × 4 

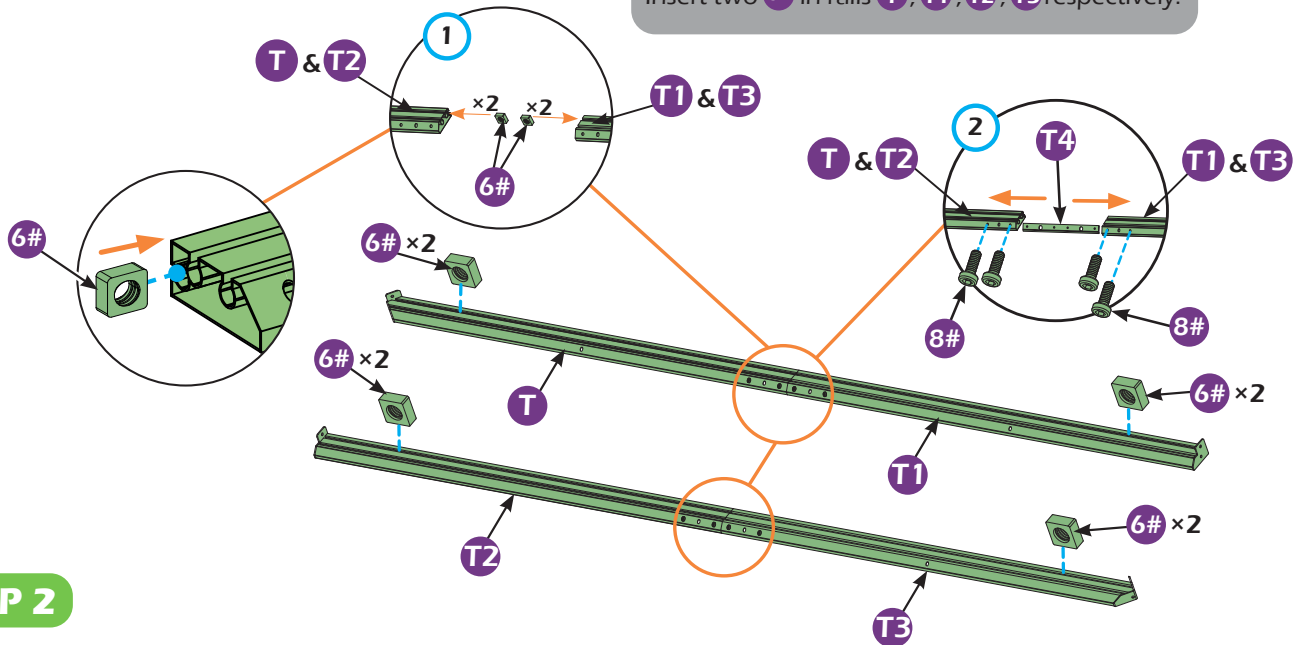
8# × 16 

T1 × 2 

T3 × 2 

6# × 16 

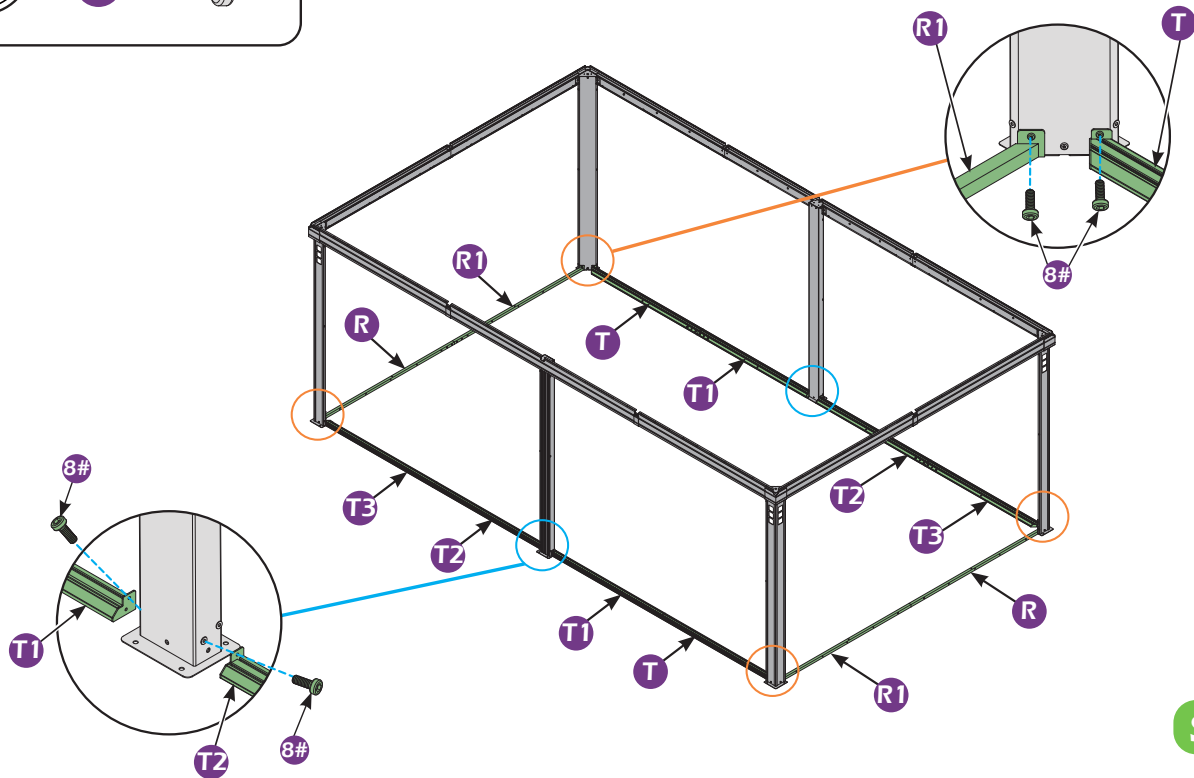
Insert two **6#** in rails **T**, **T1**, **T2**, **T3** respectively.



STEP 2



8# × 12 



STEP 2



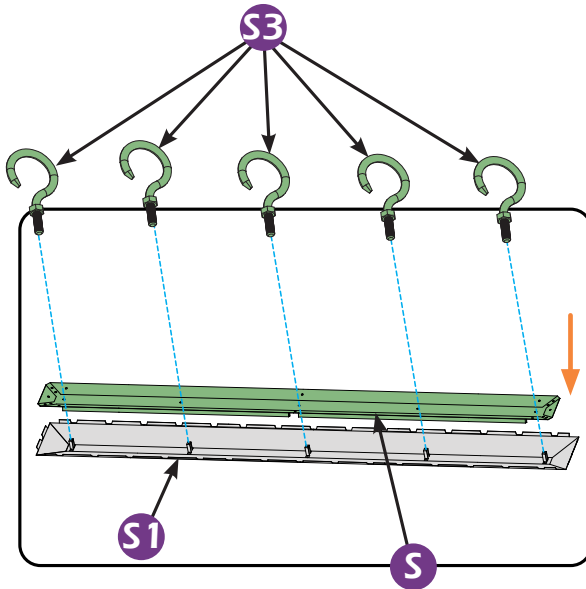
S × 1



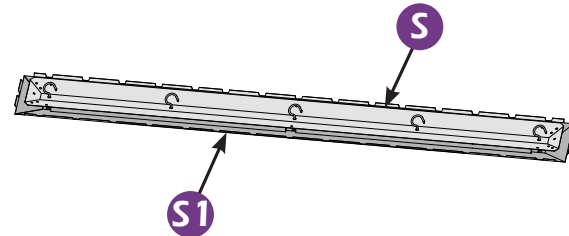
S1 × 1



S3 × 5



Don't fully tighten the screw **S3**. It might cause problems on roof's installation.



STEP 2



E × 4



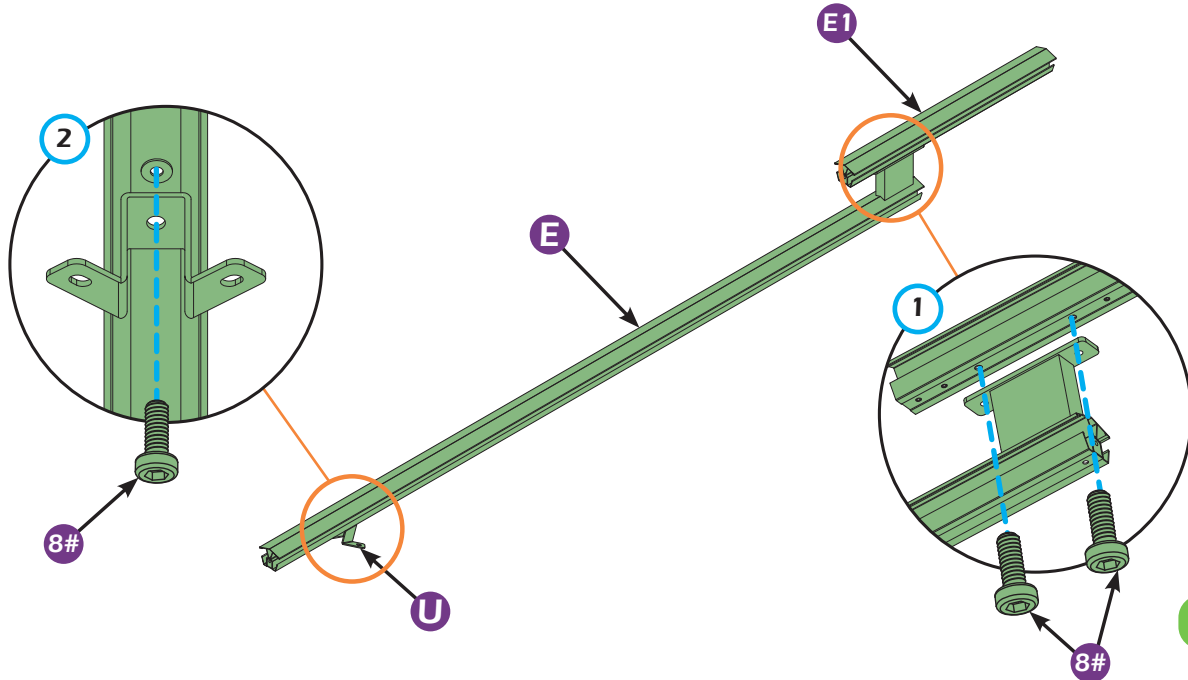
E1 × 4



U × 4



8# × 12



STEP 2



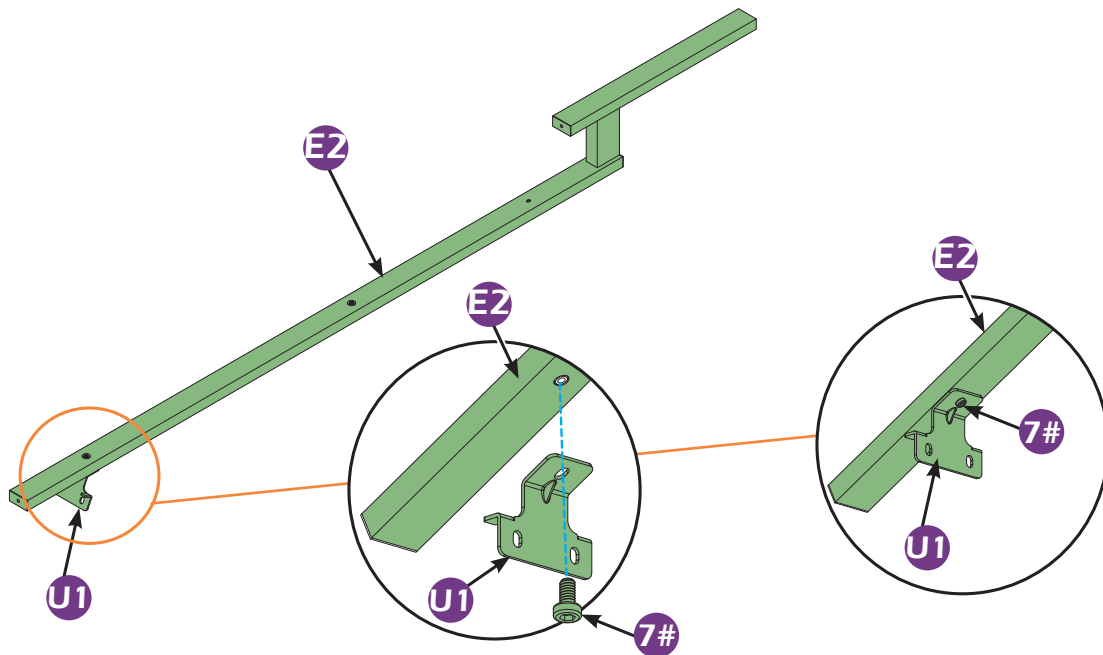
E2 x 6



U1 x 6



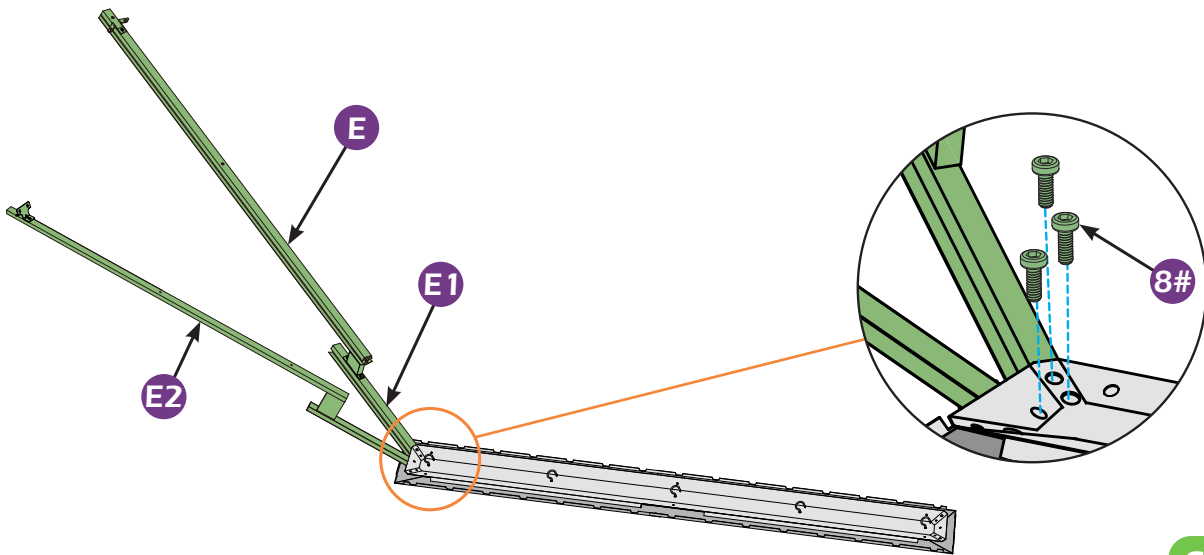
7# x 6



STEP 2



8#×3

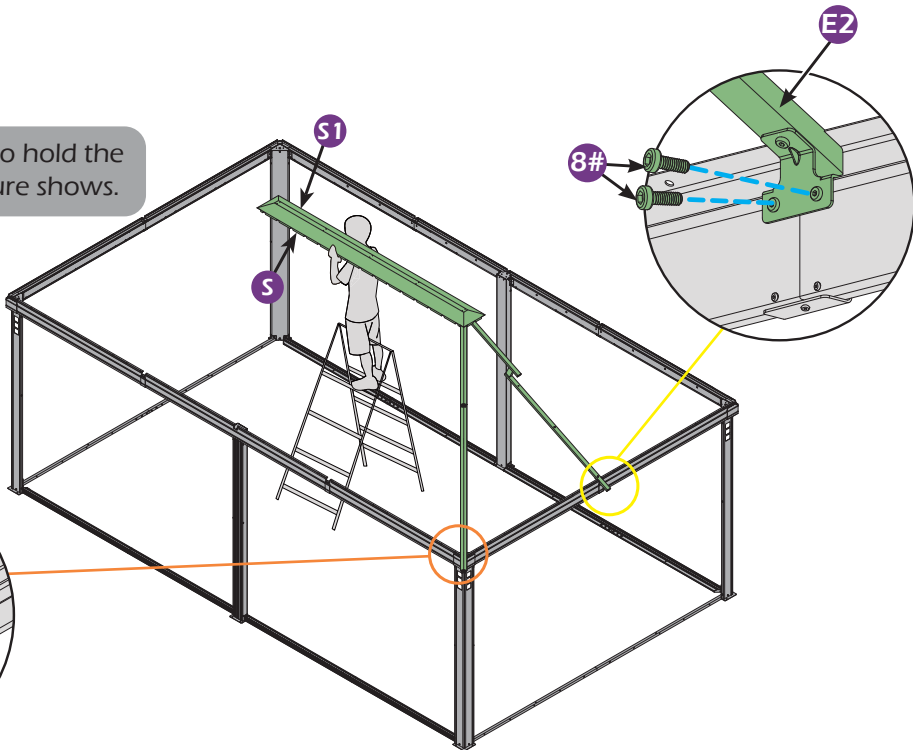
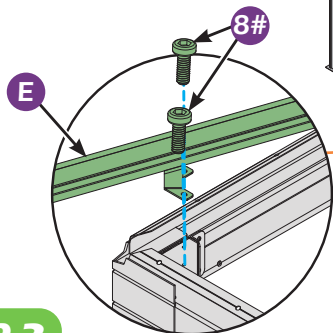


STEP 2



8# × 4 

One person needs to hold the part **S** & **S1** as picture shows.



STEP 2



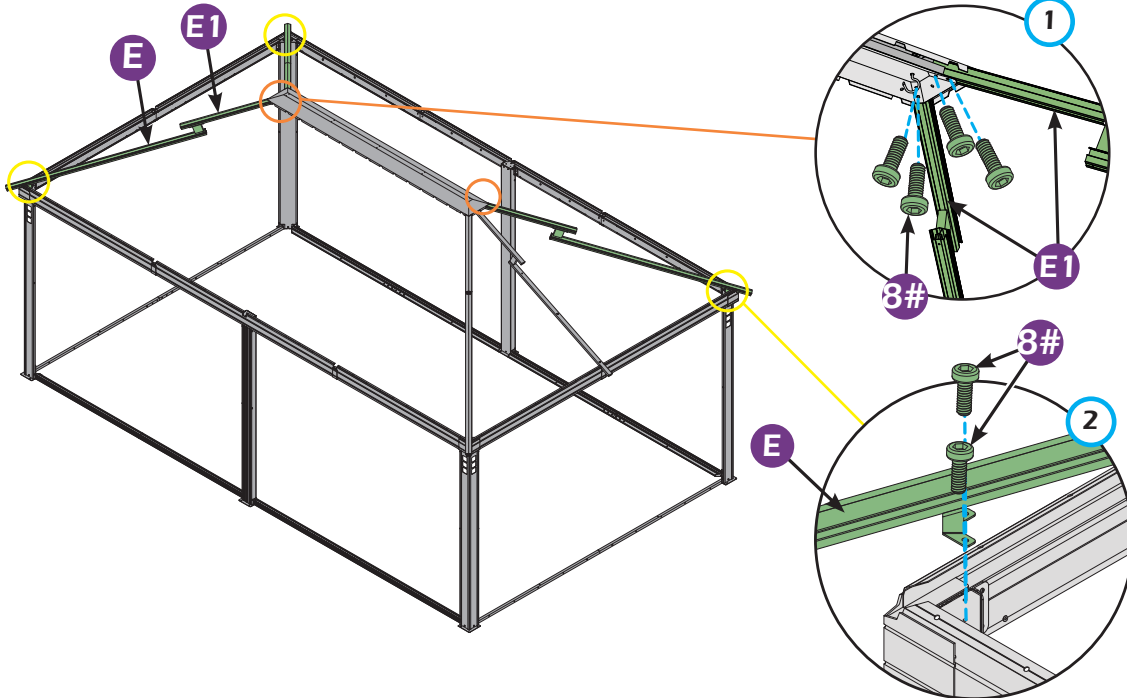
E × 3



E1 × 3



8# × 12



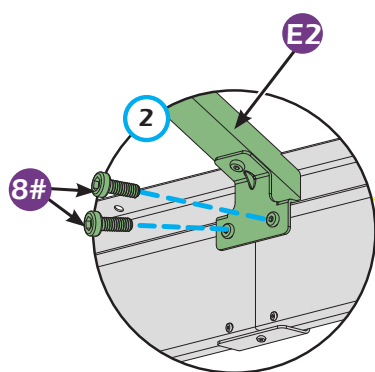
STEP 2



E2 × 1



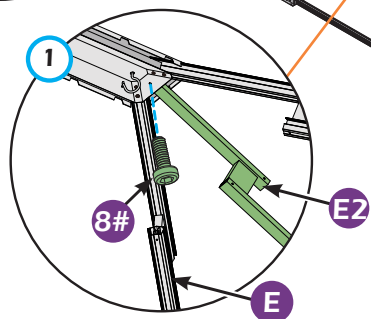
8# × 3



E2

2

8#

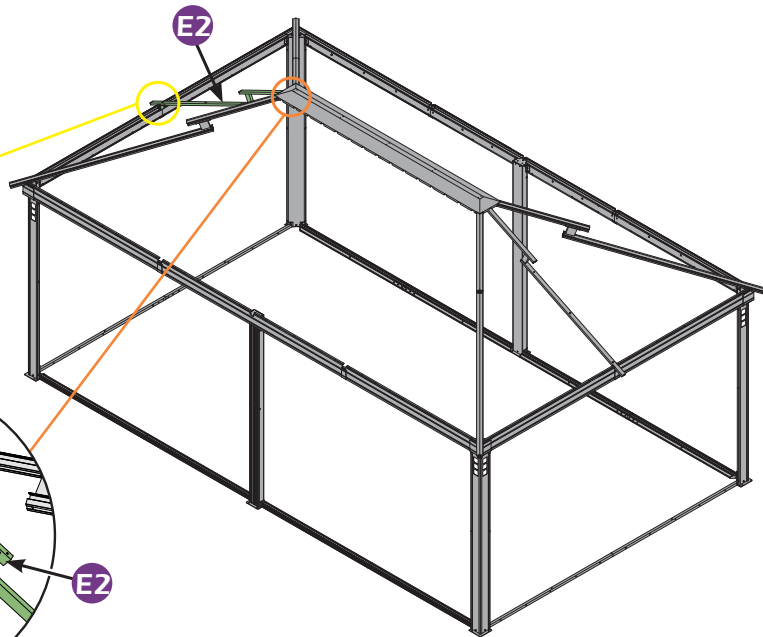


1

8#

E2

E



E2

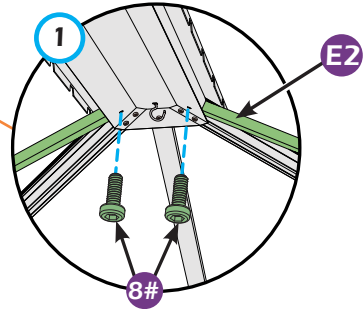
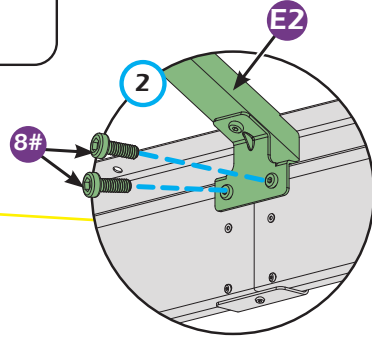
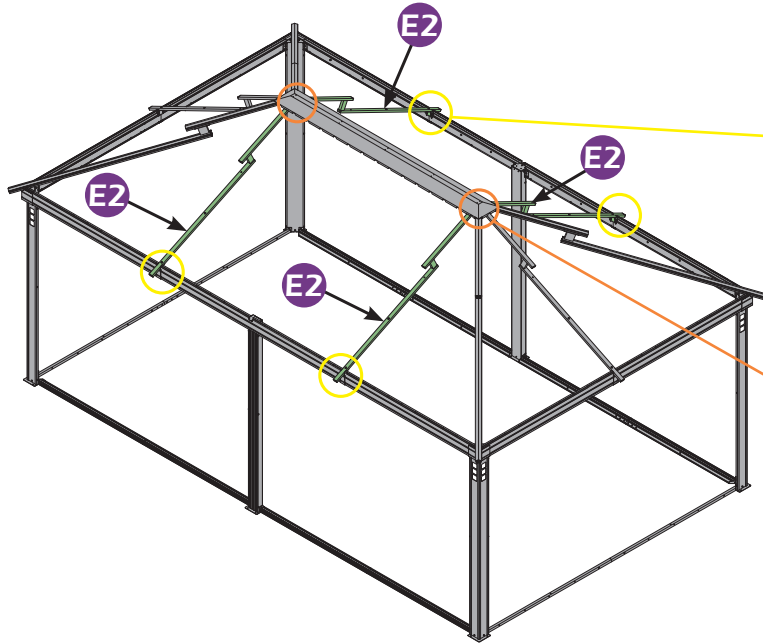
STEP 2



E2 × 4



8# × 12



STEP 2



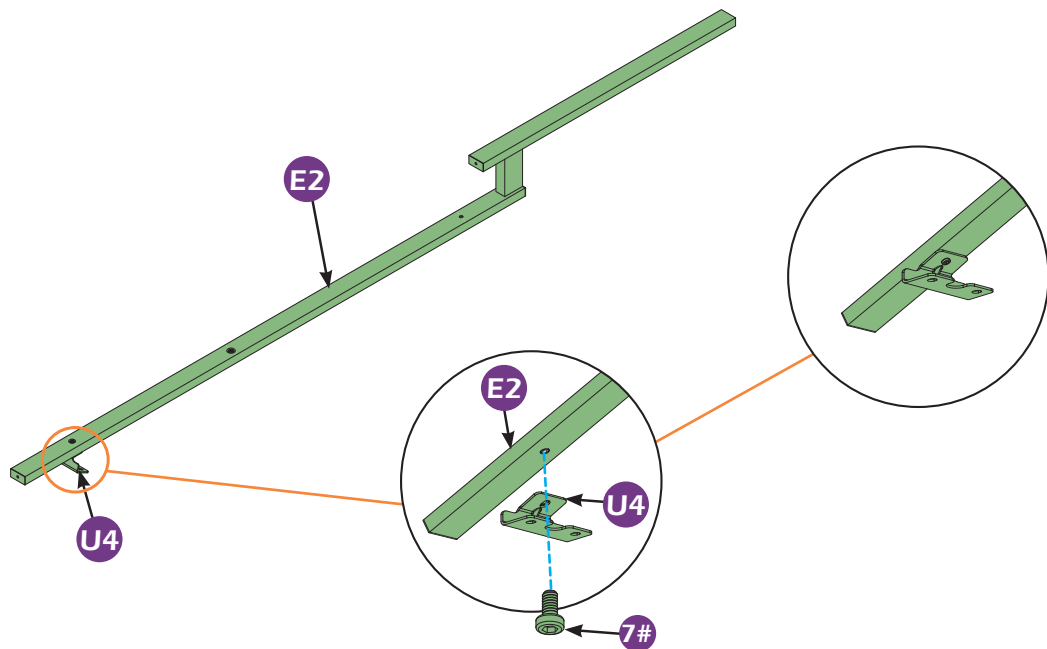
E2 × 2



U4 × 2



7# × 2



STEP 2