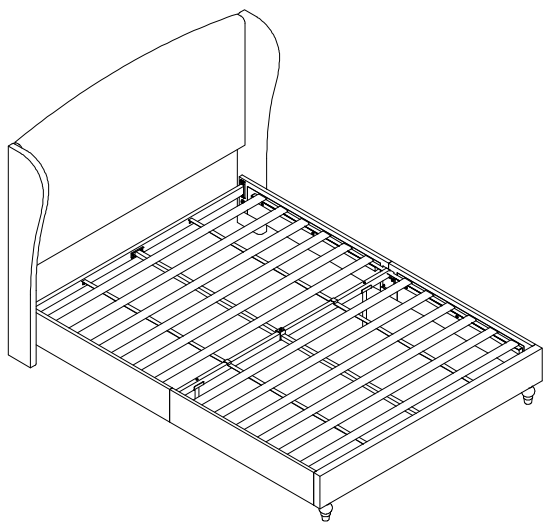
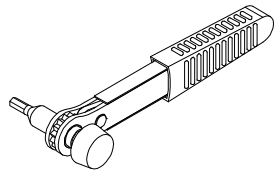


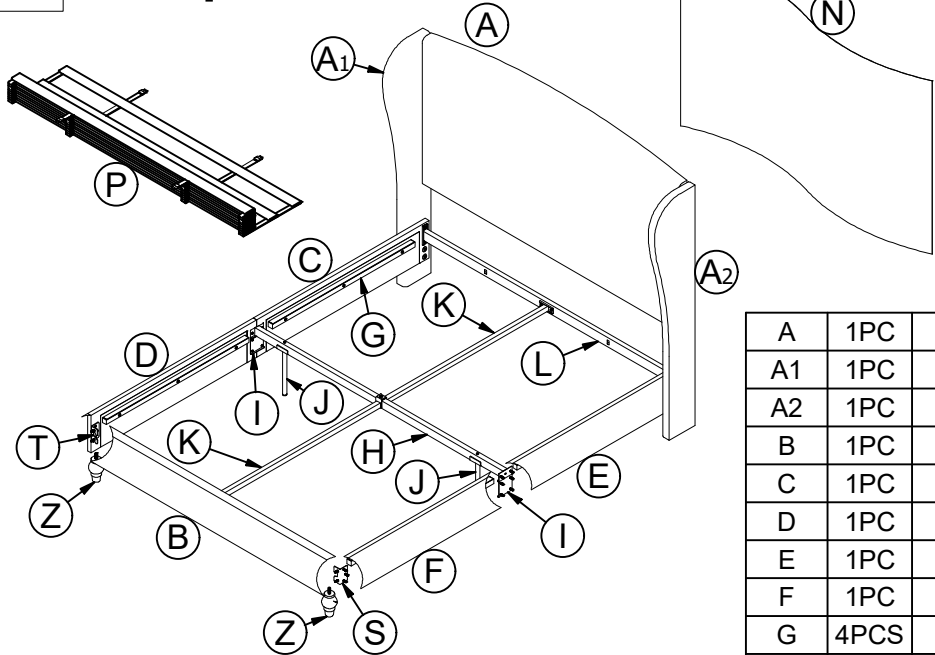
When replacement request, please tell us Component Alphabet and Model Number.

▲ Weight Limit: 1000 LBS / 454 KG



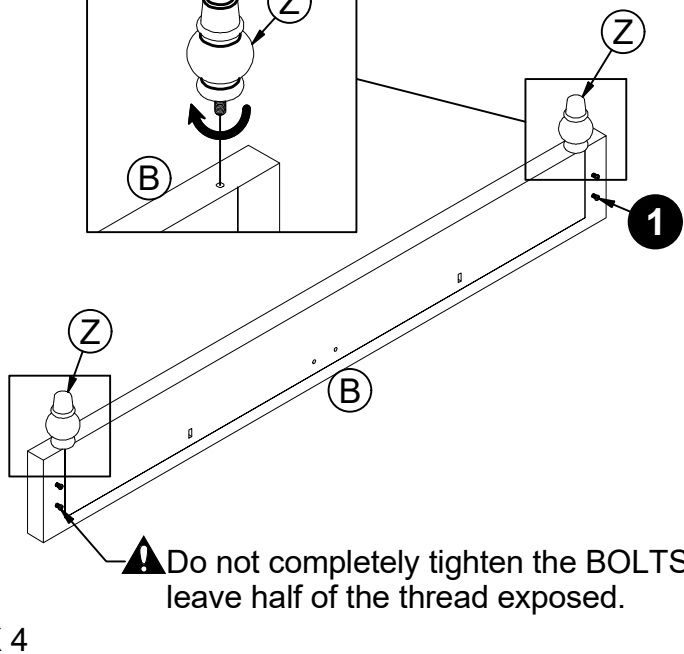
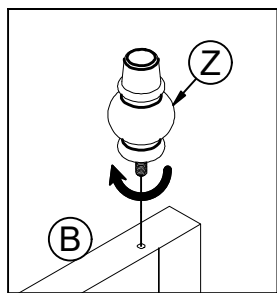
1		1/4**3/4"	32
2		1/4**1 9/16"	26
3		5/16**1 3/16"	1
4		1/4" Washer	14
5		1/4" Spring Washer	8
6		4mm Allen Key	1

1 Components

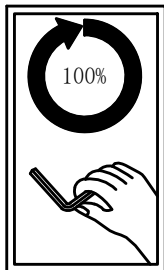


A	1PC	H	1PC
A1	1PC	I	2PCS
A2	1PC	J	2PCS
B	1PC	K	2PCS
C	1PC	L	1PC
D	1PC	S	1PC
E	1PC	T	1PC
F	1PC	Z	2PCS
G	4PCS	P	1PC
N	1PC		

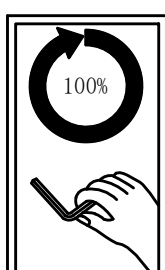
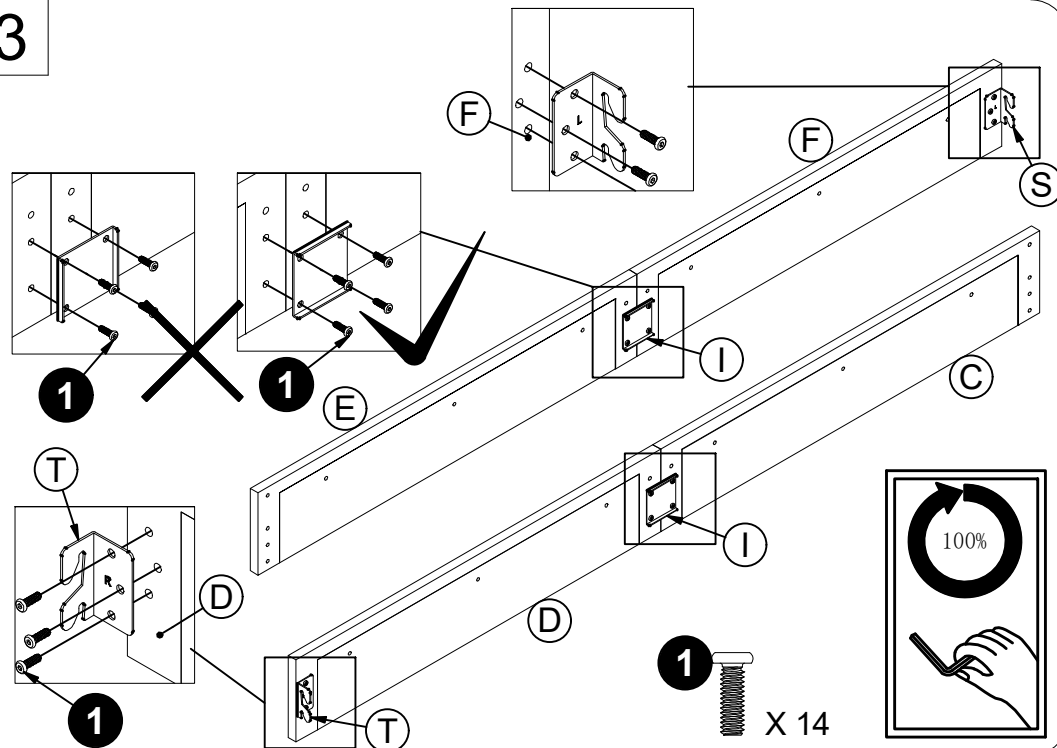
2



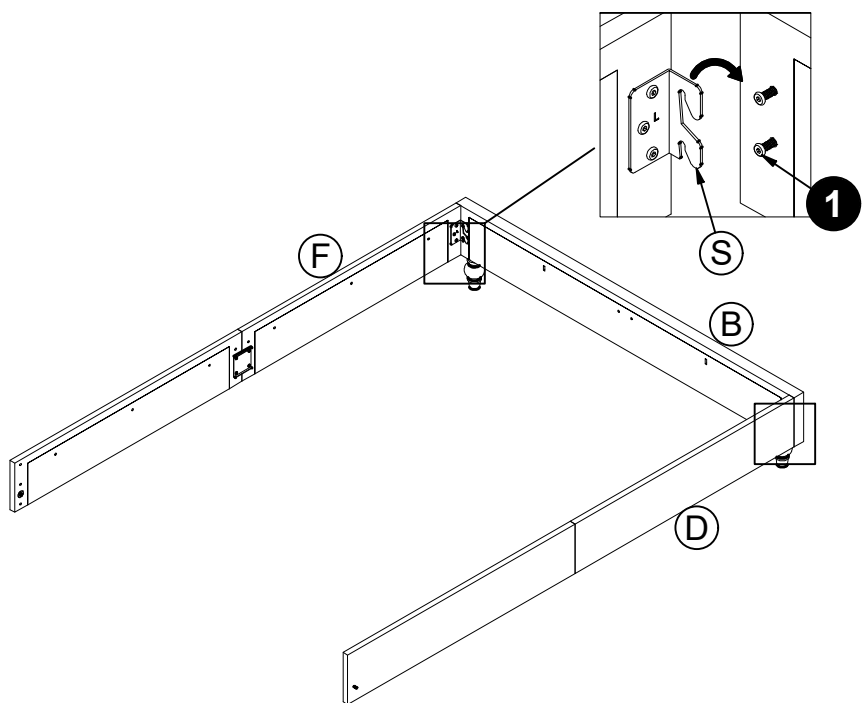
▲ Do not completely tighten the BOLTS 1, leave half of the thread exposed.



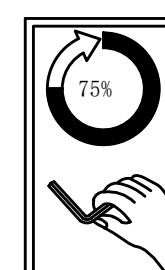
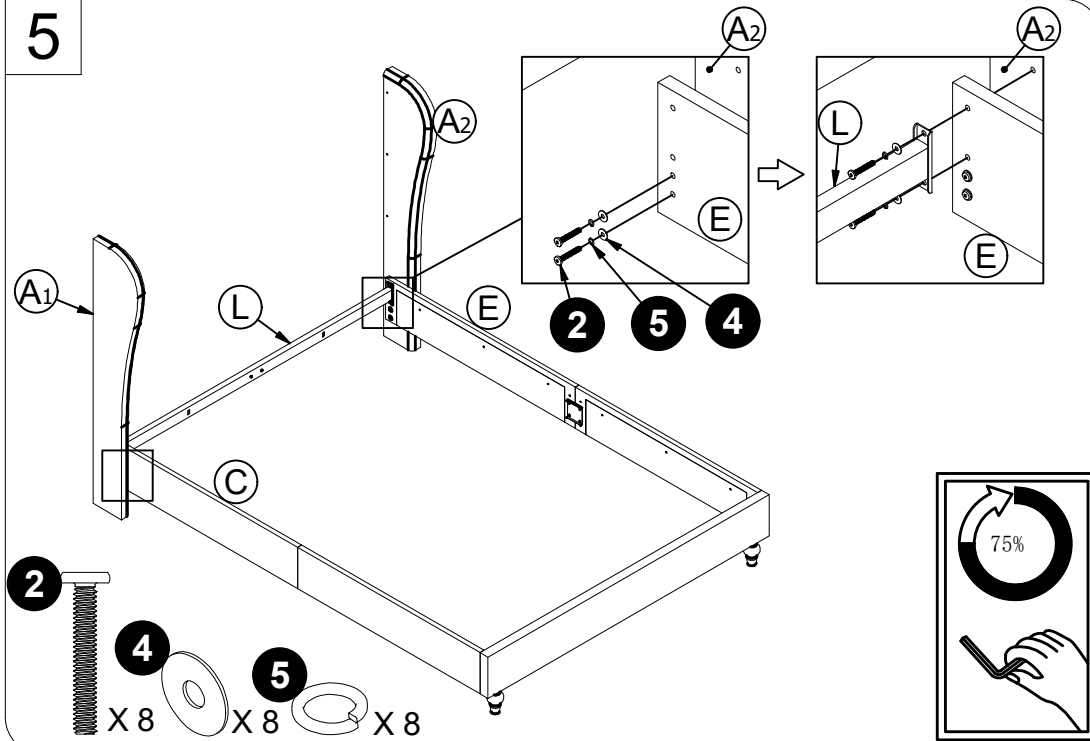
3



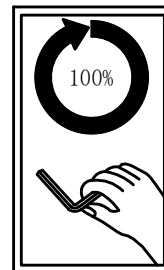
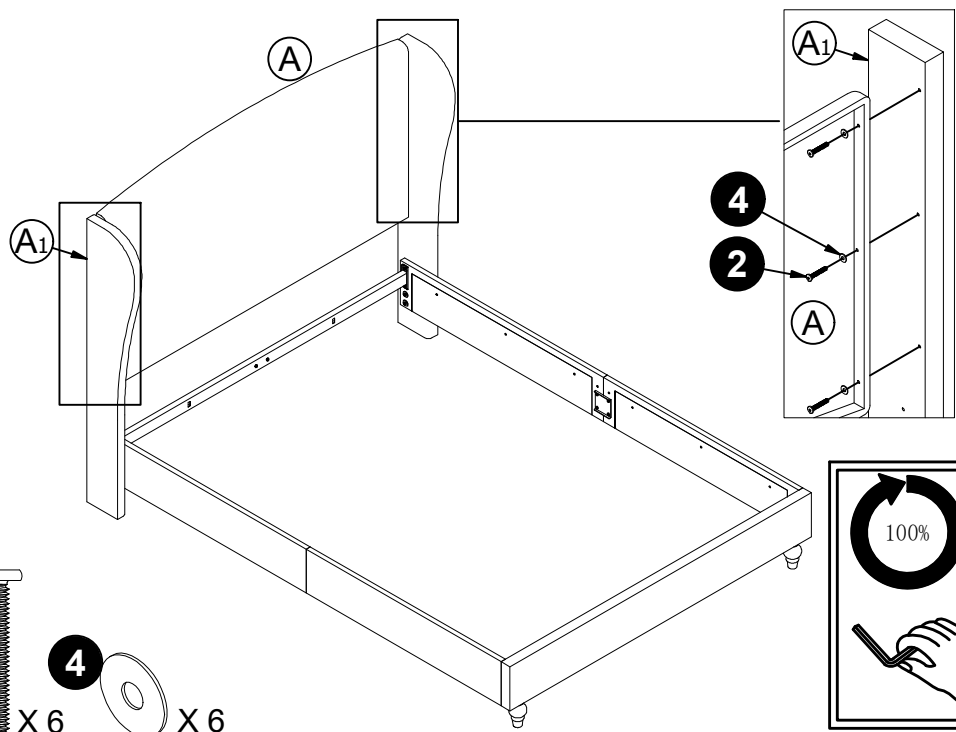
4



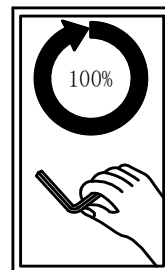
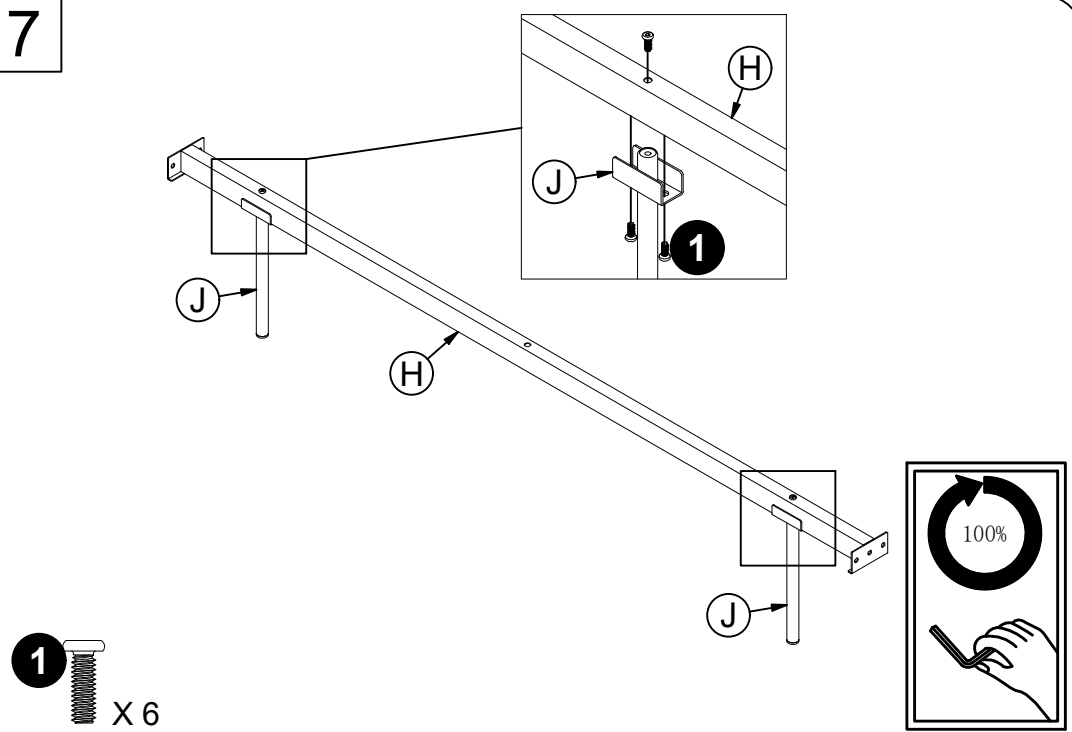
5



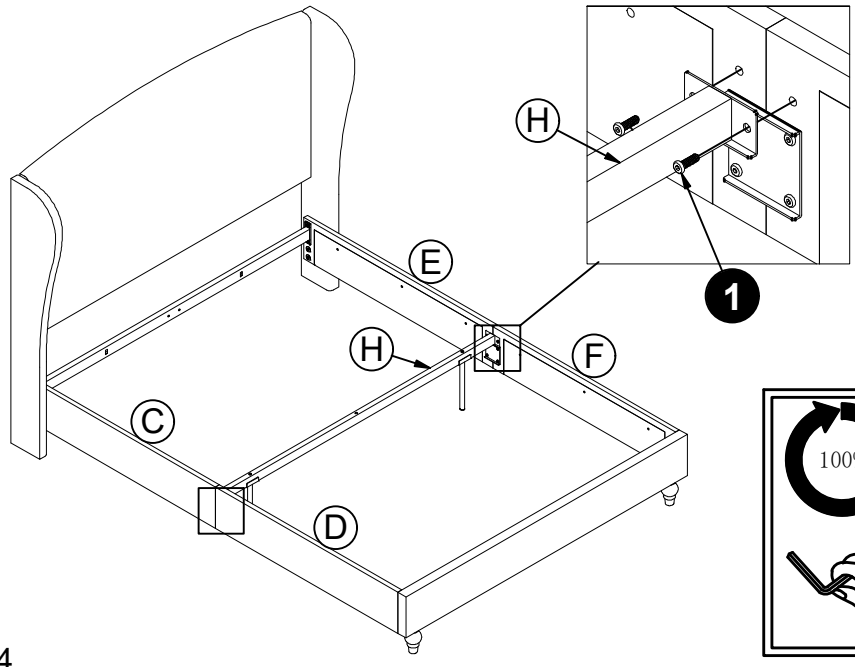
6



7

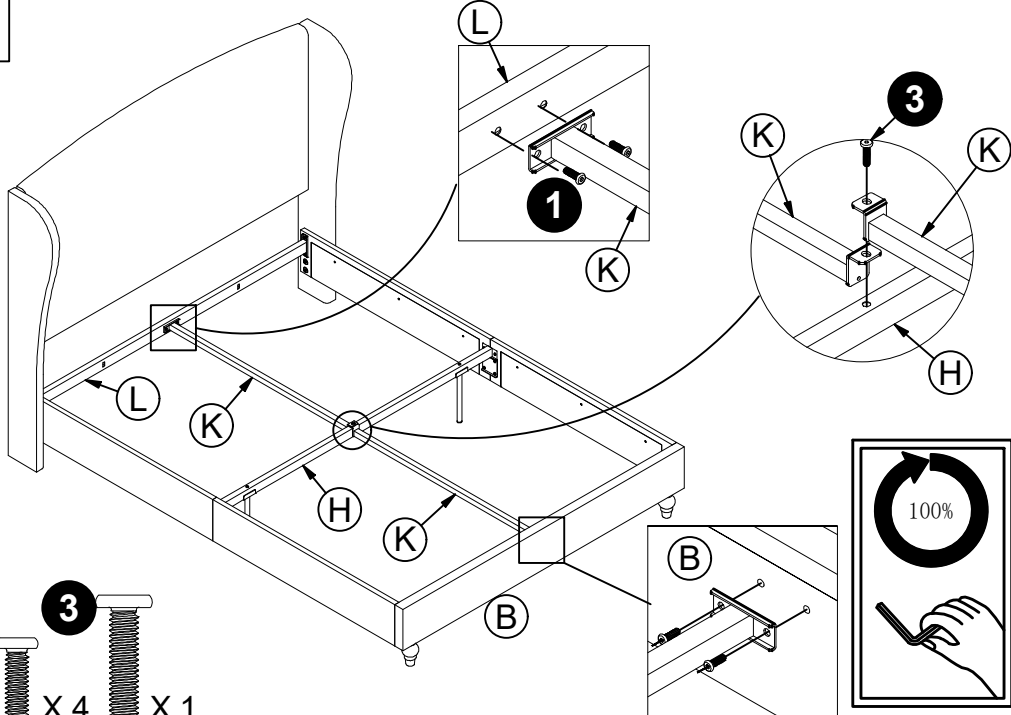


8



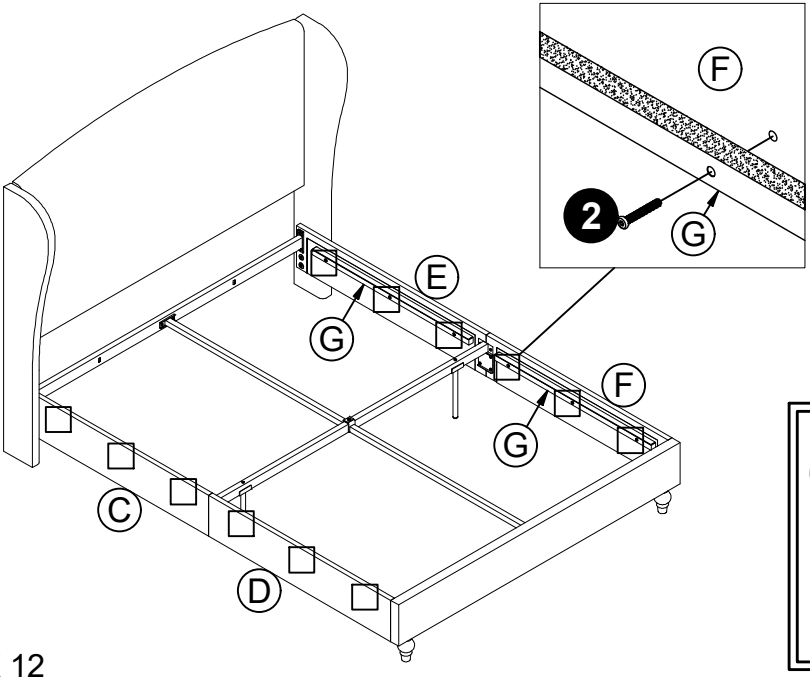
1 X 4

9



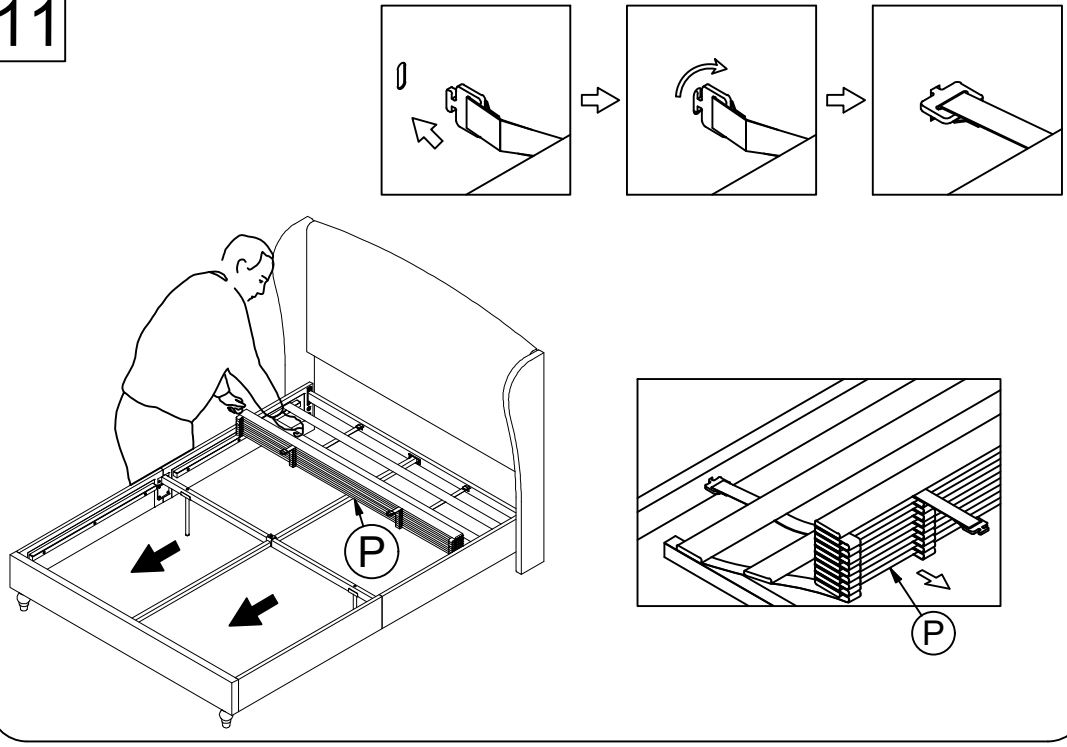
1 X 4 3 X 1

10

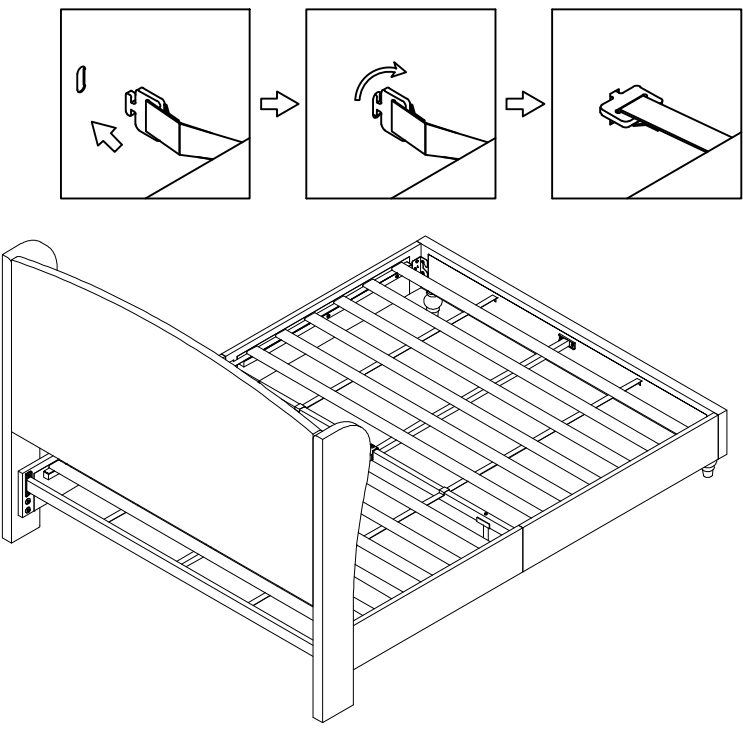


2 X 12

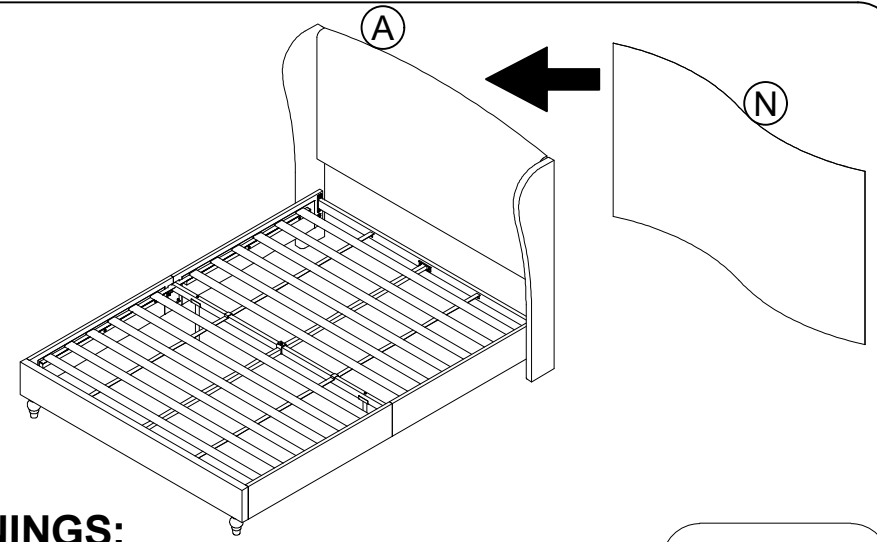
11



12



13



▲ WARNINGS:

- For safety reasons and to prevent injuries:
- This bed is not intended for use by children under 4 years old.
- Prohibit jumping and horseplay on this bed.
- Do not use risers under this bed.

