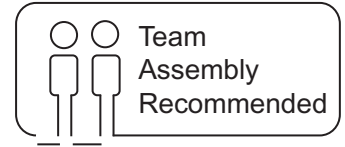
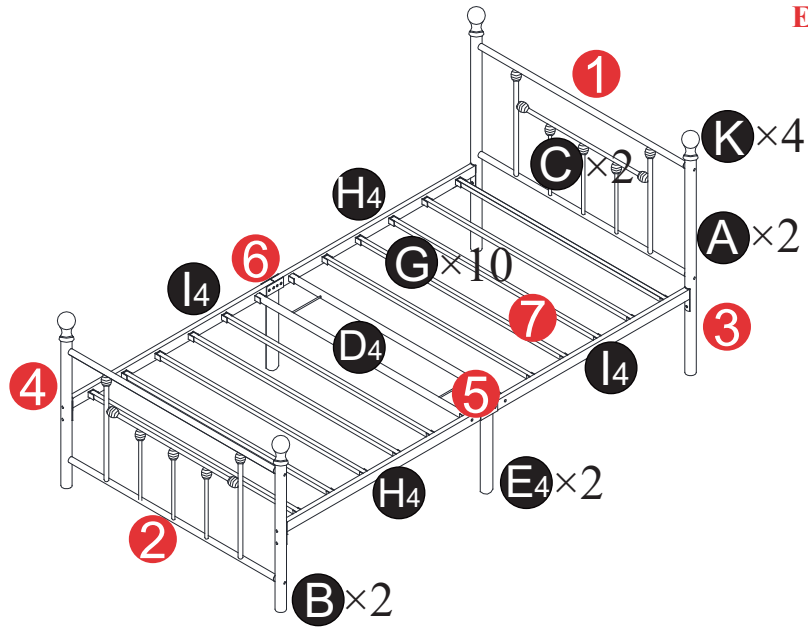


Bed Frame Installation Manual

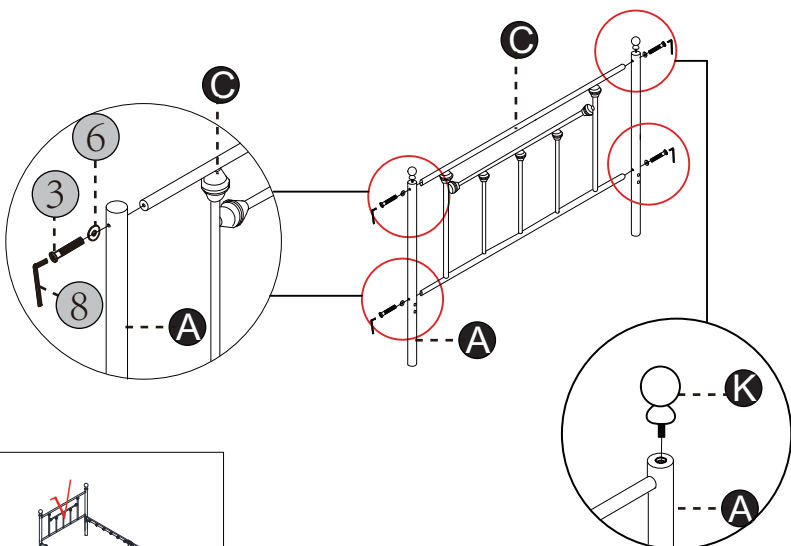
#Number System
Easy assembly by following 1,2,3...



Components		Screws & Tools	
	A × 2	1	M8x50mm x8
	B × 2	2	M8x35mm x8
	C × 2	3	M6x60mm x8
	D × 1	4	M6x40mm x4
	E × 2	5	M6x15mm x4
	G × 10	6	Ø
	H × 2	7	M8 x12
	I × 2	8	M5 x1
	J × 2	9	M13/M10 x1
	K × 4		

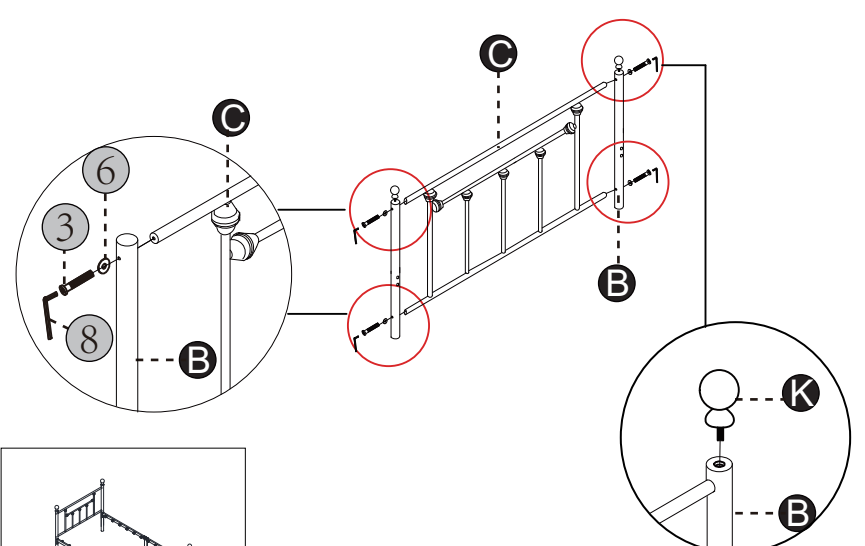
Check all the components & screws before assembly. Do not install in case part is missing, contact us to get.

1 Headboard assembly



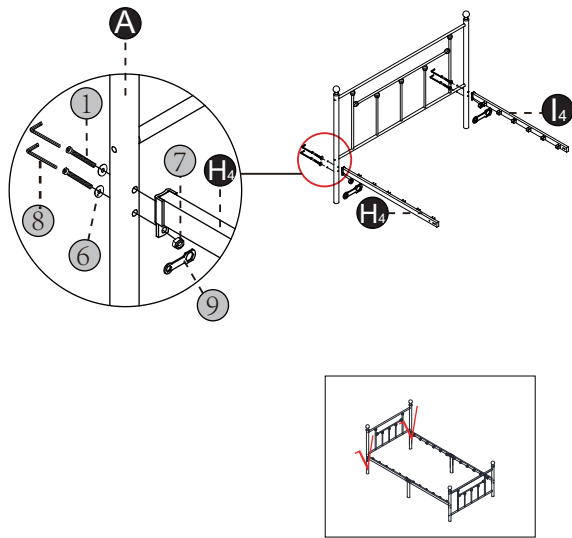
Note:
In this step, do not tighten screw 3

2 Footboard assembly

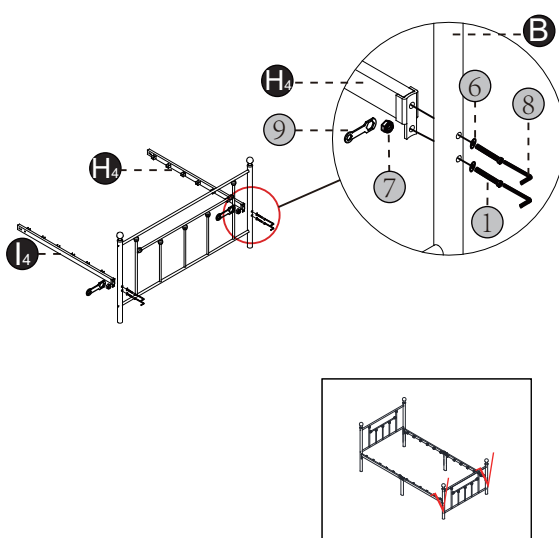


Note:
In this step, do not tighten screw 3

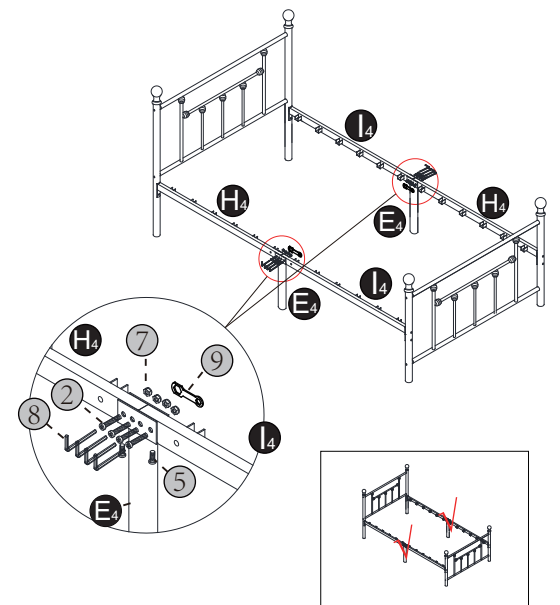
3 Connect **H₄** & **L₄** to headboard



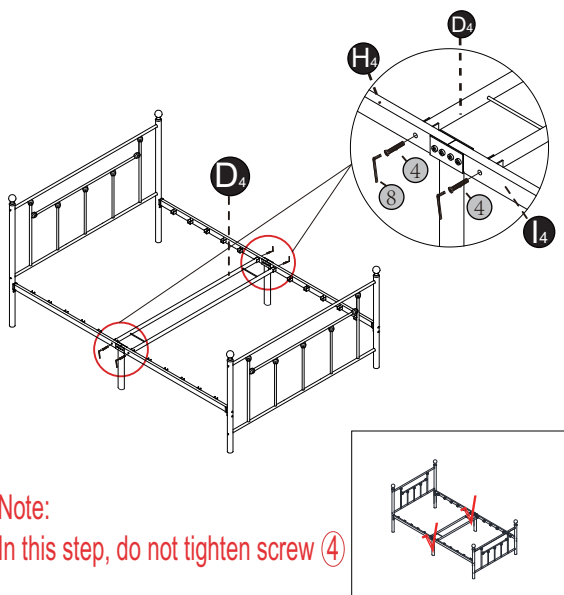
4 Connect **H₄** & **L₄** to footboard



5 Connect **E₄** to **H₄** & **L₄**

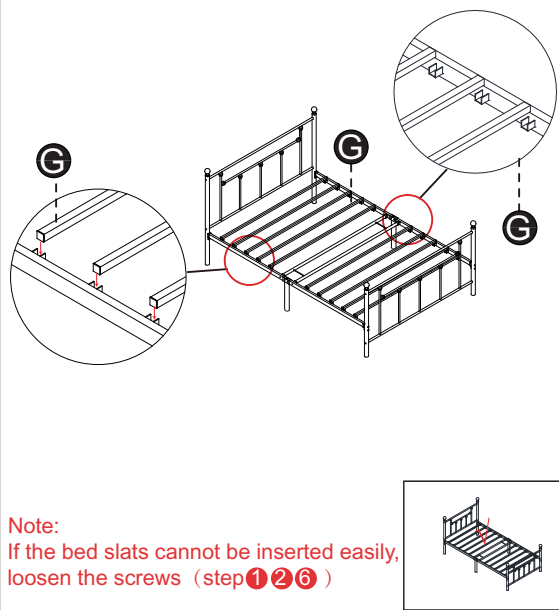


6 Connect **D₄** to **H₄** & **L₄**



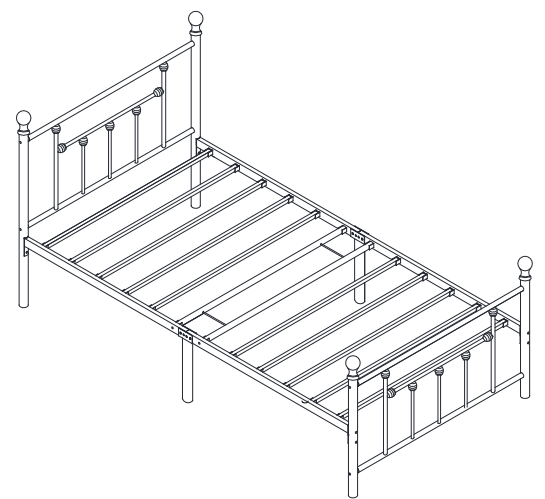
Note:
In this step, do not tighten screw **4**

7 Assemble bed slats



Note:
If the bed slats cannot be inserted easily,
loosen the screws (step **1 2 6**)

8 Check and tighten all screws



CAUTIONS!

