











Assembly Instructions

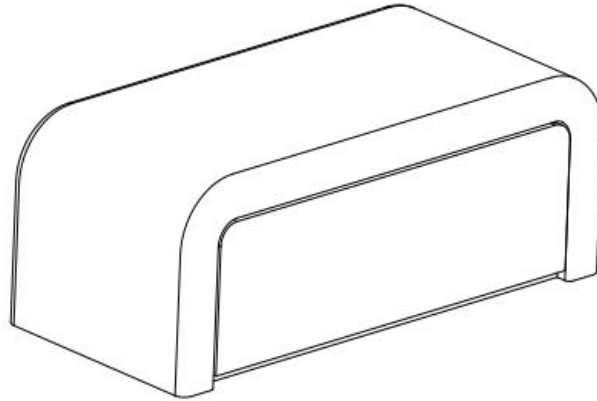
Caution : You must read this before you proceed

Care & Maintenance

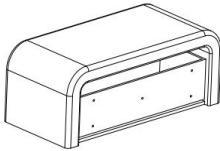
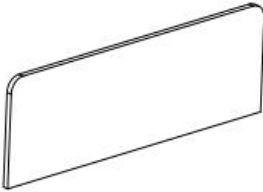
- ⊘  ● Not for commercial use. For residential use only.
 - ✓  ● Furniture may scratch floors. We recommend using furniture pads to protect your floors.
 - ⊘  ● Do not put hot items directly on furniture surface.
 - ⊘  ● Do not clean furniture with harsh cleansers or polish.
 - ⊘  ● Do not place furniture under direct sunlight.
 - ⊘  ● Do not place furniture near heating or cooling vents.
 - ⊘  ● Do not write on furniture without a padded barrier to protect the surface.
 - ⊘  ● Do not place furniture outside . For indoor use only.
 - ⊘  ● Stains may be removed with mild soap solution and damp cloth.
 - ⊘  ● Children should not climb or jump on the furniture.
-
- ✓  ● Dust and pick-up spills using a clean, non-colored, lint-free cloth.

Please look in carton for hardware packs and legs.
Sets often ship in multiple boxes and may arrive a day or two apart.




Ottoman
N757P303234



Parts List

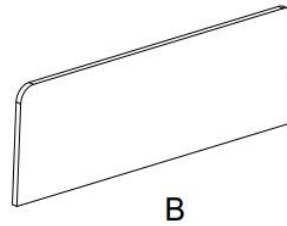
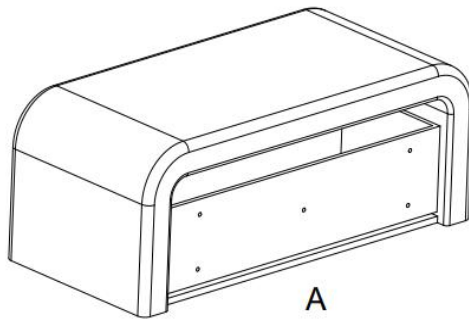
Label	Picture	Description	QTY
A		Seat Frame	1
B		Pull panel	1

Hardware

Label	Picture	Description	QTY
①		Bolt Ø1/4"×1"	5+1
②		Flat Washer Ø1/4"× 16mm× 1.5	5+1
③		Allen Wrench 4.0×21×57	1

Assembly Preparation

Before Beginning Assembly :



- ①  x6
- ②  x6
- ③  x1



• Read instructions, cover to cover-



• Have 2 adults on hand for assembly-



• Do not assemble on flooring or carpet-

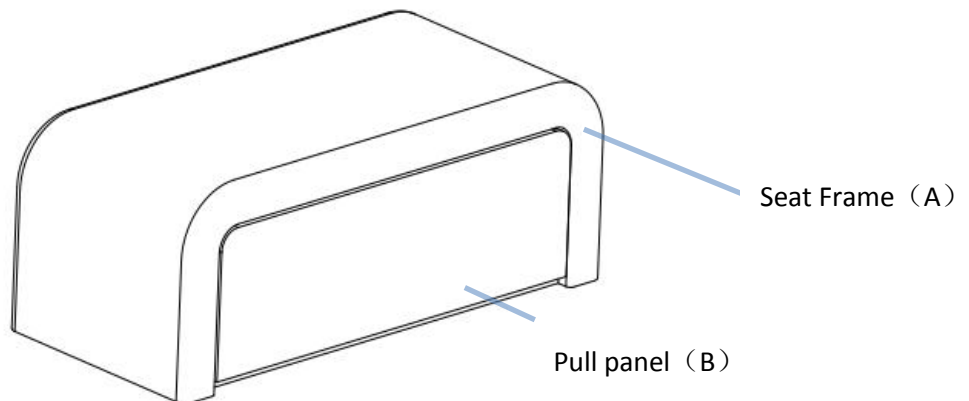


• Assemble on a clean non-marring surface (packing foam)-



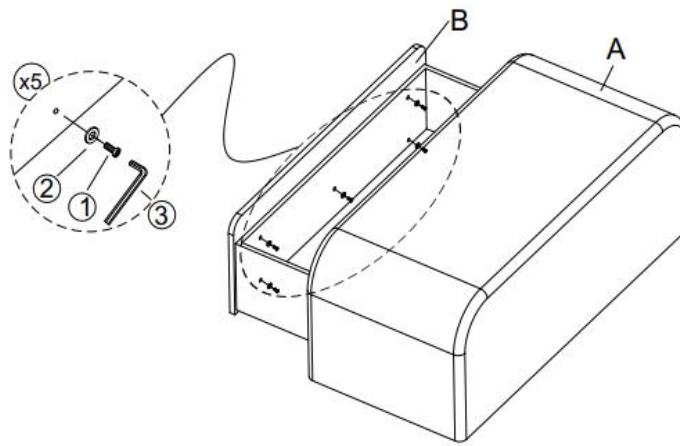
• Save all packaging until finished-

Assembly Steps



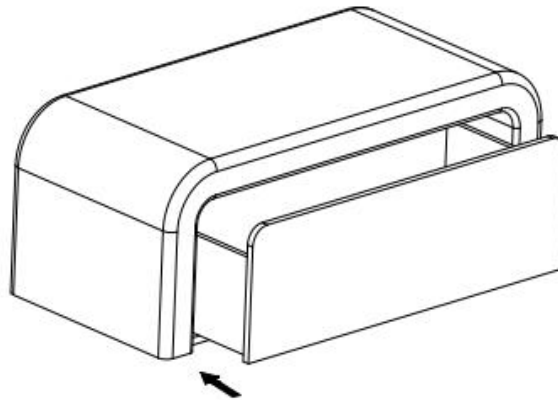
This Ottoman has multiple parts and may require up to some 30 minutes to assemble. To give you an overview of the Ottoman parts, the above picture is to help you put the various parts into perspective. Please read through the instructions below to familiarise yourself with the parts and steps before assembly.

Step 1



Attach the Pull panel (B) to Seat Frame(A) by using Bolts(①), Flat Washers (②), with Allen Wrench(③), as pictured above.

Step 2



Your Ottoman is ready for use.
This Ottoman can only be used on a flat, level surface.