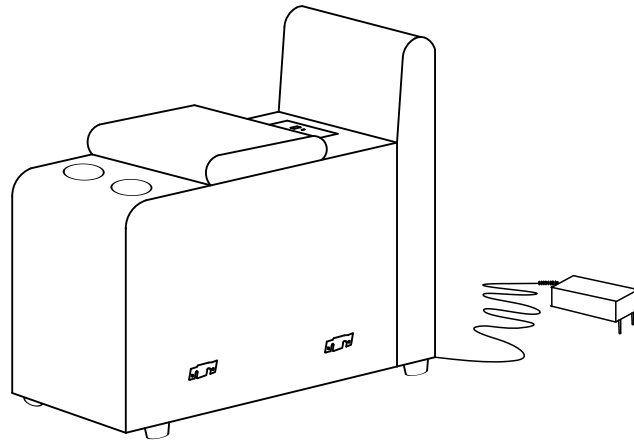
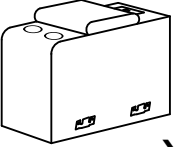
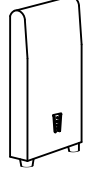

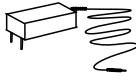


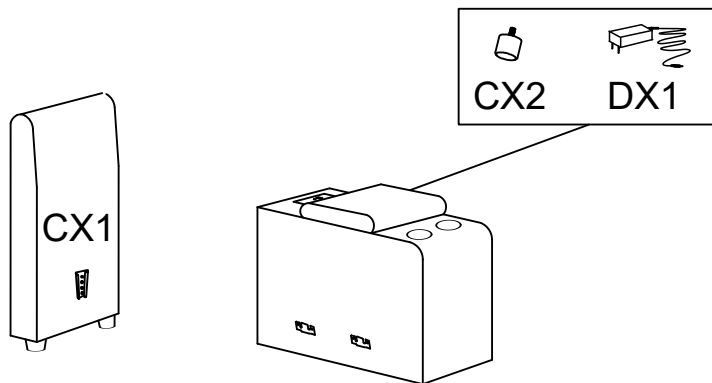
# ASSEMBLY INSTRUCTION



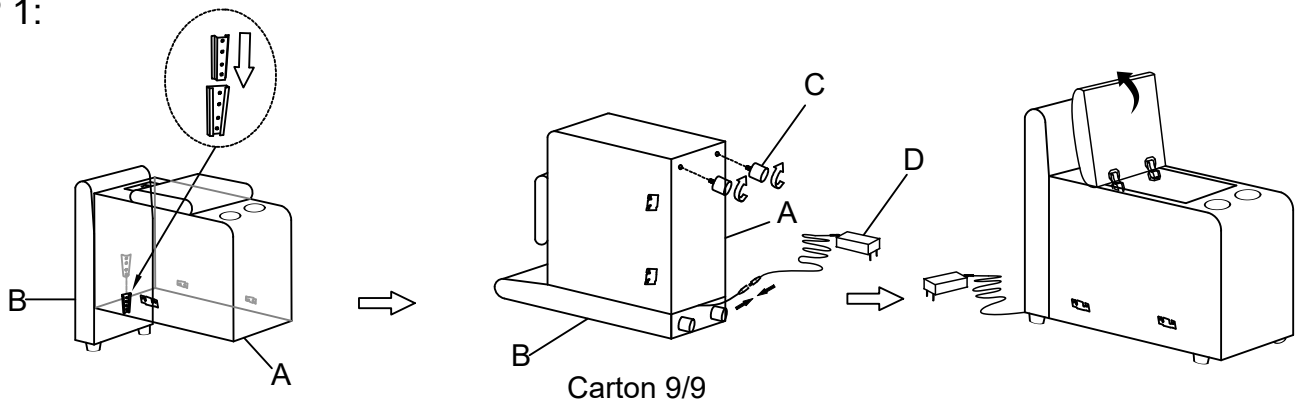
## PARTS LIST

<b>A</b>  X1	<b>B</b>  X1	<b>C</b>  X2	<b>D</b>  X1
--	--	---	---

Packing list:



STEP 1:



STEP 2:

