

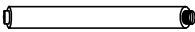

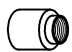
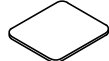

MODEL: 99800 R1

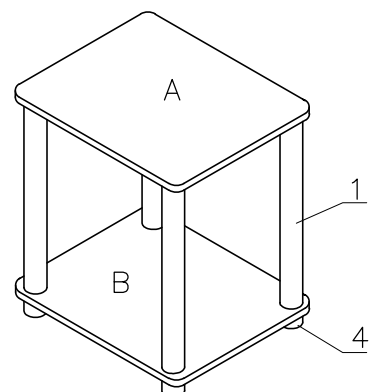
TABLE

BEFORE YOU BEGIN, PLEASE READ ASSEMBLY INSTRUCTIONS CAREFULLY. FOLLOW THEM STEP BY STEP.

CAUTION:

1. ADULT SUPERVISION IS REQUIRED DUE TO SMALL PARTS. CARE SHOULD BE TAKEN IN THE UNPACKING AND ASSEMBLY OF THE PRODUCT.
2. ASSEMBLE ON SOFT SURFACES TO PREVENT DAMAGE TO THE PRODUCT FINISH.
3. MAKE SURE ALL PARTS ARE INCLUDED BEFORE ASSEMBLY.

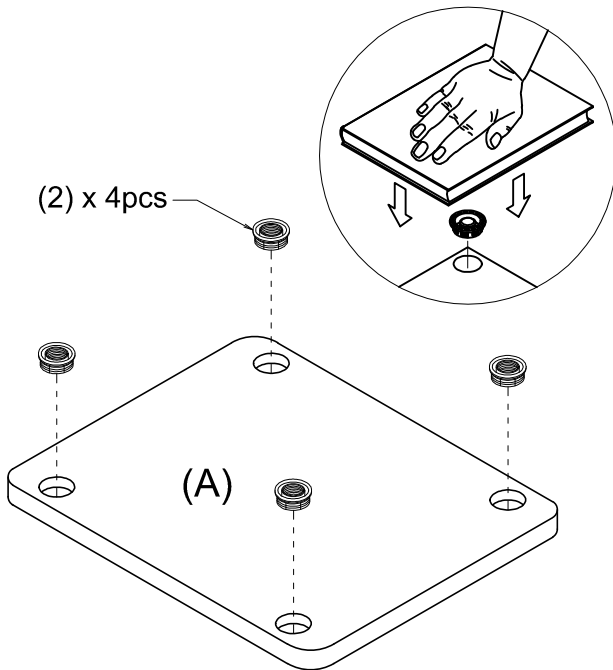
| NO | HARDWARE & PARTS LIST | QTY |
|----|---|------|
| 1 | EX. LONG POLE  | 4pcs |
| 2 | INSERT CAP  | 4pcs |
| 3 | ROUND LEG  | 4pcs |
| A | TOP PANEL  | 1pc |
| B | BOTTOM PANEL  | 1pc |



ASSEMBLY INSTRUCTION

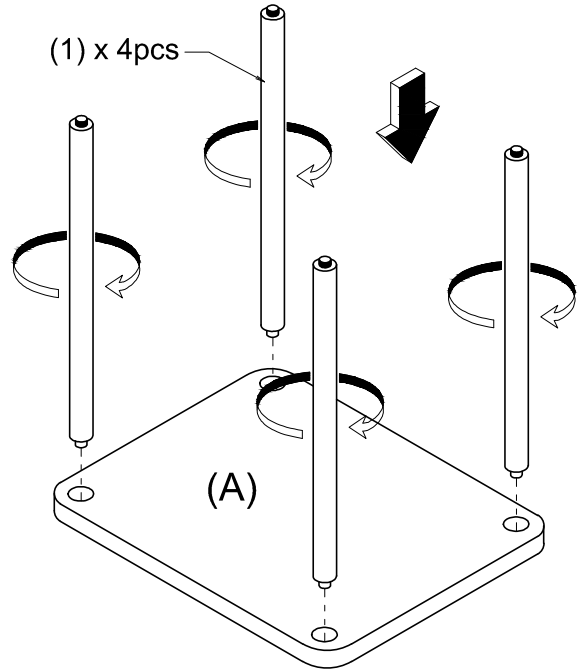
STEP 1

INSTALL INSERT CAP (2) TO TOP PANEL (A) WITH HAMMER.



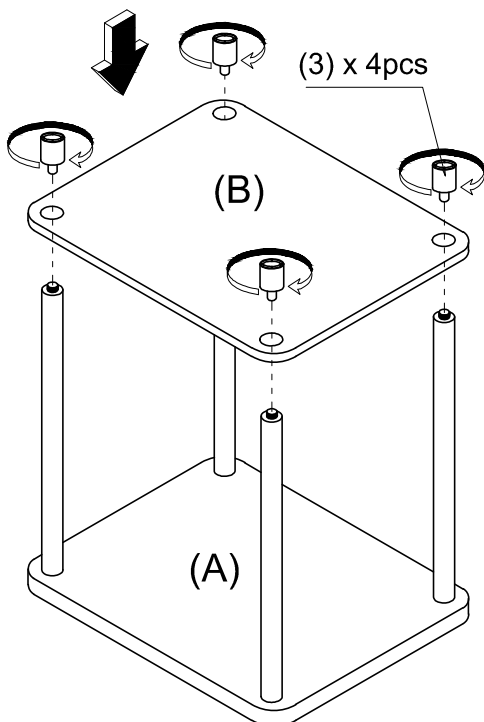
STEP 2

ATTACH POLE (1) TO PANEL (A) AND TIGHTEN IT.



STEP 3

ATTACH BOTTOM PANEL (B) TO IT AND TIGHTEN WITH ROUND LEG (3).



STEP 4

UPRIGHT THE TABLE.

