

ASSEMBLY INSTRUCTIONS

ITEM # 30002 DINING TABLE (with no CENTER PANEL)

Please read instructions carefully.

Remove all wrapping materials, staples and packing straps from the carton. Refer to Parts List and Hardware List and ensure they are complete before you start assembling. Place all wooden parts on a clean, flat and soft surface (e.g. carpet or rug) to prevent parts from being scratched.









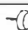
CAUTIONS:

- 1) DO NOT FULLY TIGHTEN BOLTS AND NUTS UNTIL ALL PARTS HAVE BEEN ASSEMBLED.
- 2) DO NOT OVER-TIGHTEN BOLTS AND NUTS UNTIL ALL PARTS HAVE BEEN ASSEMBLED.
- 3) KEEP ALL HARDWARE PARTS OUT OF REACH CHILDREN.

PARTS LIST

	PARTS	QTY.
P1	TABLE TOP	2
P2	LEGS	4
P3	SUB-APRON	2
P4	SUPPORT BAR	1

HARDWARE LIST

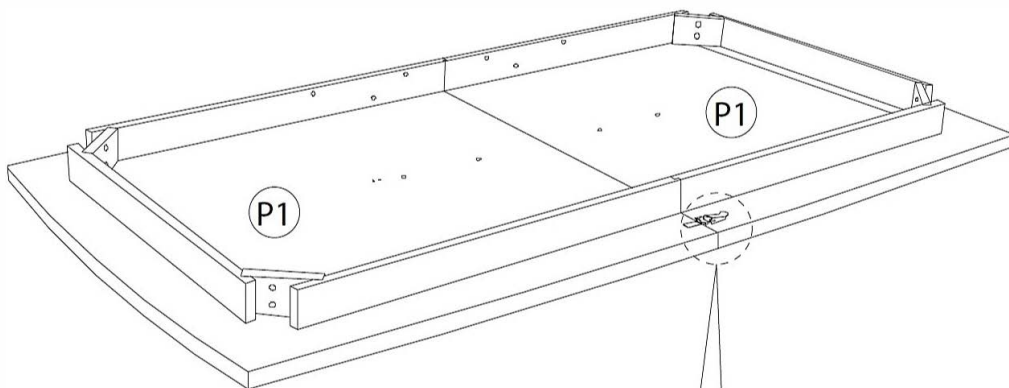
	DESCRIPTION	QTY.
H1	M8 x 60mm JCBC SCREW 	8
H2	M8 SPRING WASHER 	8
H3	M8 FLAT WASHER 	8
H4	M5 ALLEN KEY 	1
H5	M6 x 35mm JCBC SCREW 	16
H6	M6 SPRING WASHER 	12
H7	M6 FLAT WASHER 	12
H8	M4 ALLEN KEY 	1
H9	NAIL LEG 	4



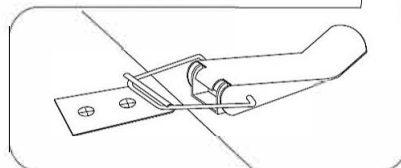
COMPLETE ASSEMBLY

STEP 1

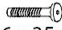
Attach both Table Tops (P1) together tightly before locking the latches.



Lock all 2 latches



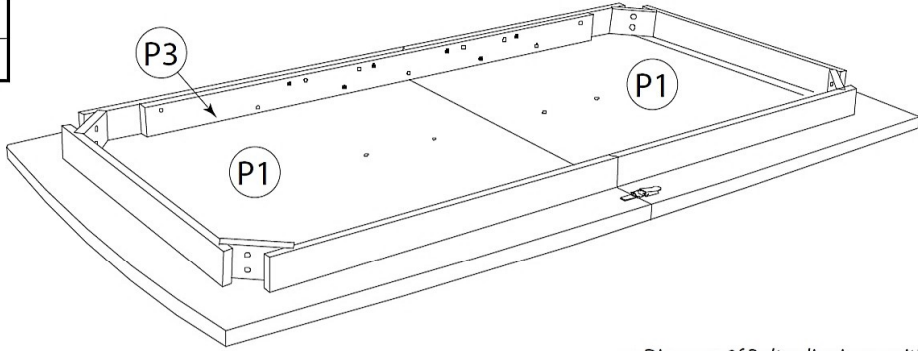
STEP 2

H5 x 6 
M6 x 35mm

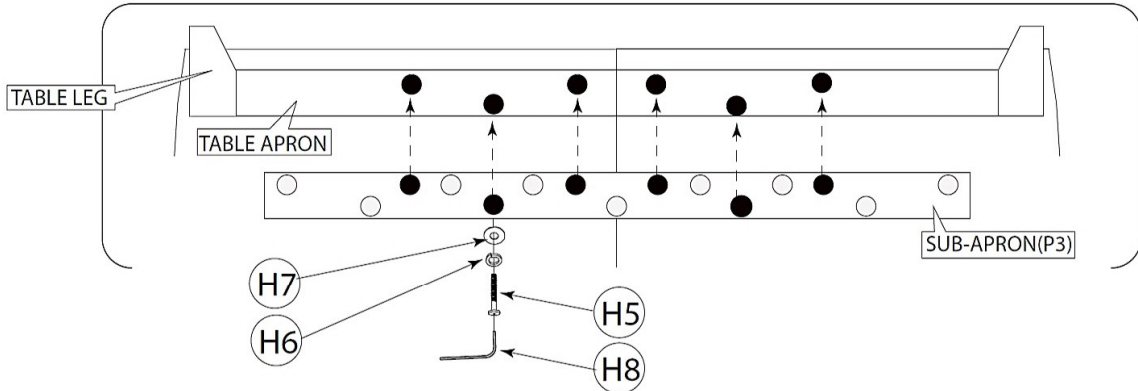
H6 x 6 

H7 x 6 

Mount the Sub-Aprons (P3) to the Table Aprons: Please see a diagram in the next page showing the position of holes to align the Bolts (H5) together Spring Washer (H6) & Flat Washer (H7) into the nuts in the Table aprons. Tighten all the bolts by using Allen Key (H8).



● Diagram Of Bolts aligning position to the Aprons



STEP 3

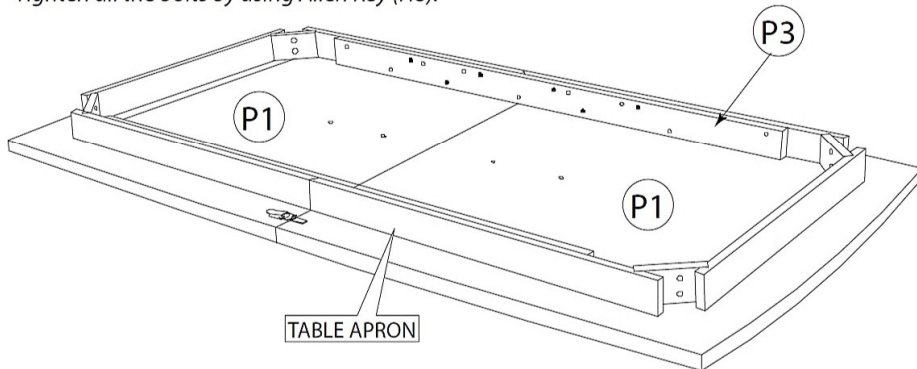
H5 x 6 
M6 x 35mm

H6 x 6 

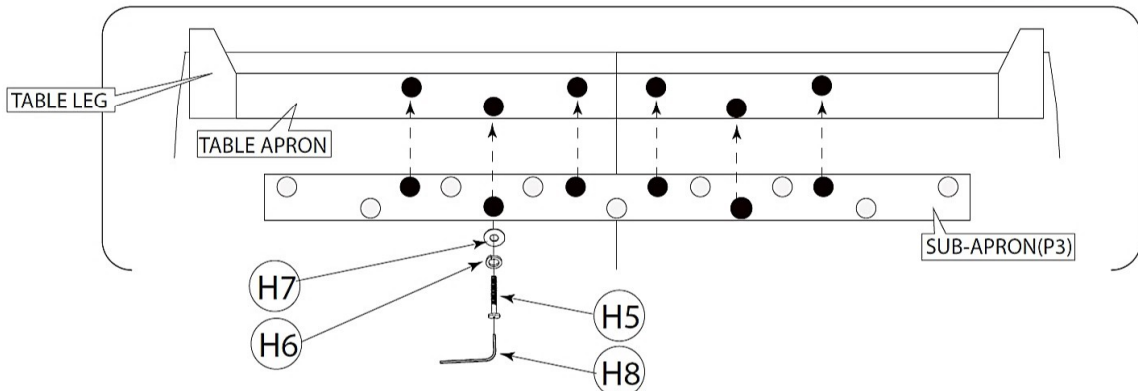
H7 x 6 

Mount the Sub-Aprons (P3) to the other side of Table Aprons: Please see a diagram in the next page showing the position of holes to align the Bolts (H5) together Spring Washer (H6) & Flat Washer (H7) into the nuts in the Table aprons.

Tighten all the bolts by using Allen Key (H8).

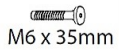


● Diagram Of Bolts aligning position to the Aprons



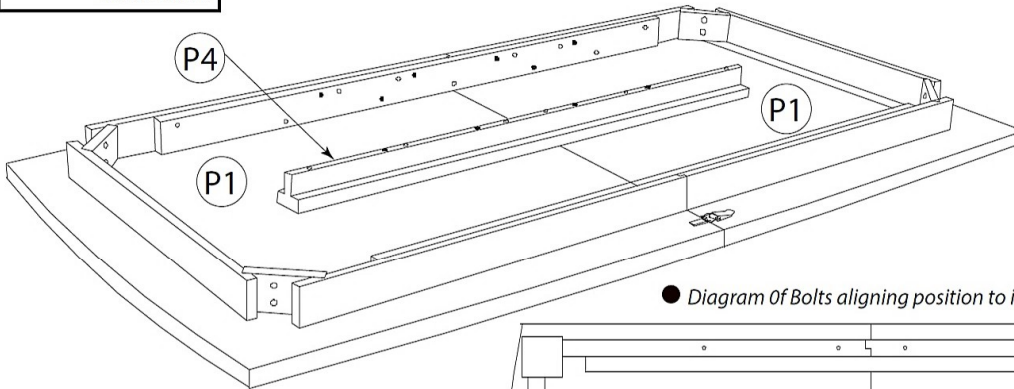
STEP 4

H5 x 4

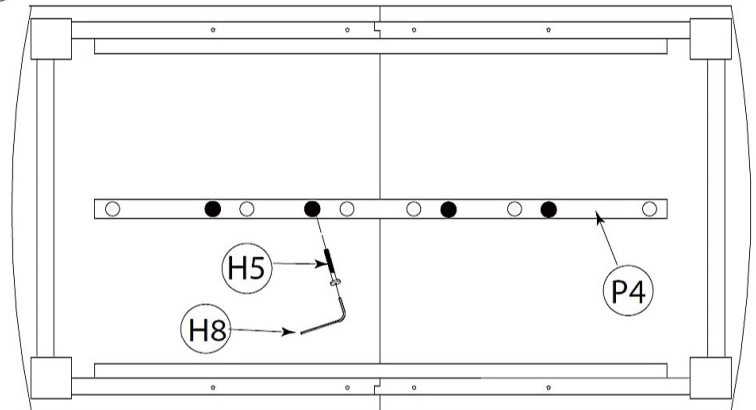


M6 x 35mm

Mount the Support Bar (P4) to the underside of Table top: Please see a diagram aboveshowing the position of holes to align the Bolts (H5) into the nuts in the Table top. Tighten all the bolts by using Allen Key (H8).



● Diagram Of Bolts aligning position to install the Support Bar (P4)



STEP 5

H1 x 8



M8 x 60mm

H2 x 8

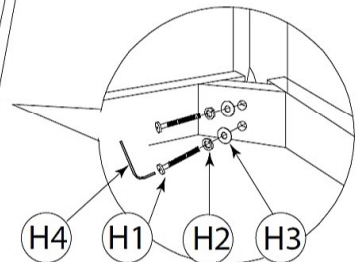
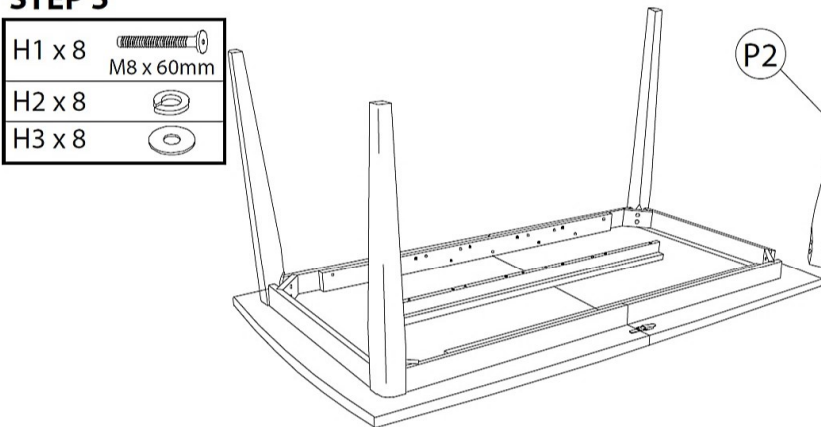


H3 x 8



Assemble the Leg (P2) by aligning Bolts (H1) together Spring Washer (H2) & Flat Washer (H3) through holes in the corner blocks.

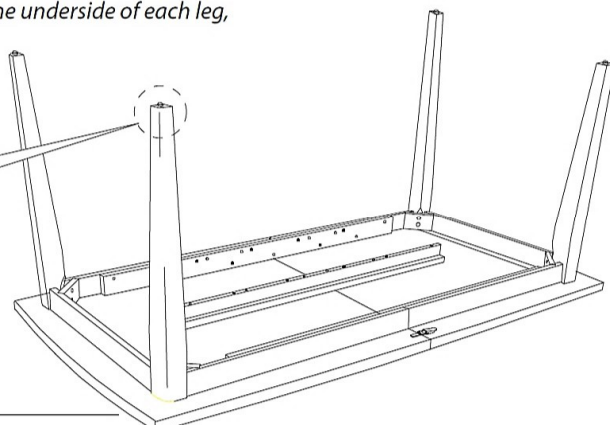
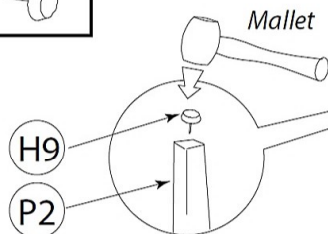
Tighten all the bolts by using Allen Key (H4).



STEP 6

Install the Nail Legs (H9) to the underside of each leg,

H9 x 4



Carefully put the table upright by two or more adults person.

CARE AND MAINTENANCE

SAFETY

CLEANING

FITTINGS

- To avoid any risk of suffocation to children and animals, dispose off plastic bags immediately.
- Clean with damp cloth and mild detergent. Do not use bleach or abrasive products.
- tighten bolts and nuts from time to time to ensure all parts of product are securely fitted.