



Kingston™

Two-piece elongated toilet, 1.28 gpf
K-25087-RA

Features

- Ideal for commercial installations
- Two-piece design
- Elongated bowl offers added room and comfort
- 1.28 gpf (4.8 lpf)
- Durable metal right-hand Polished Chrome trip lever
- 2-1/8" (54 mm) fully glazed trapway
- Easy-to-service silicone seal
- Sanitary guard where bowl and tank meet for ease of cleaning
- Encapsulated bolts prevent rust and corrosion
- Combination consists of the K-25086 bowl and K-25100-RA tank
- Class Five® canister optimizes the flow out of the tank, harnessing gravity and the natural powerful reducing cascade of water to increase the power and effectiveness of the flush



Installation

- Three-bolt quick-connect installation
- Standard 12" (305 mm) rough-in
- Seat and supply line sold separately

Recommended Products/Accessories

- K-7637 Angle Supply with Stop (single)
- K-5420 Low-Profile Bolt Caps
- K-23726 Drain treatment
- K-4636-RL Cachet® ReadyLatch® Quiet-Close™ elongated toilet seat

Included Components

- K-25100-RA Toilet tank, 1.28 gpf
- K-25086 Elongated toilet bowl

Codes/Standards

- ASME A112.19.2/CSA B45.1
- DOE - Energy Policy Act 1992
- EPA WaterSense®
- California Energy Commission (CEC)


KOHLER® Toilets and Seats Limited Warranty

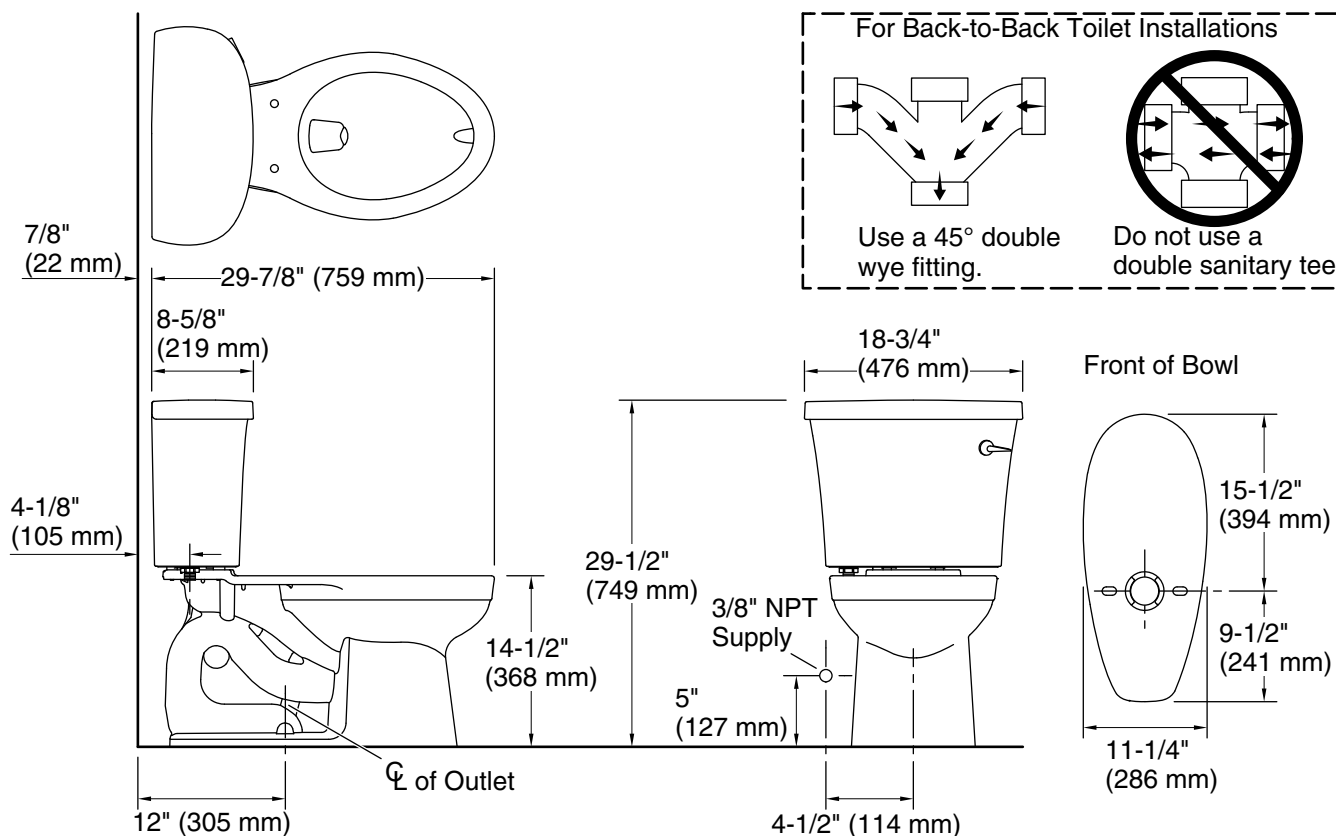
See website for detailed warranty information.

Available Colors/Finishes

Color tiles intended for reference only.

Color Code Description

	0	White
---	---	-------



Technical Information

All product dimensions are nominal.

Toilet type:	Floor-mount
Waste Outlet:	Floor
Bowl shape:	Elongated
Flush type:	Class Five
Trap passageway:	2-1/8" (54 mm)
Water surface size:	10-13/16" x 7-1/4" (274 mm x 183 mm)
Rim to water surface:	5-5/8" (143 mm)
Rough-in:	12" (305 mm)

Notes

Install this product according to the installation instructions.

For back-to-back toilet installations: Use only a 45° double wye fitting.