

Assembly Instruction

Decorate your home, Brighten wonderful life

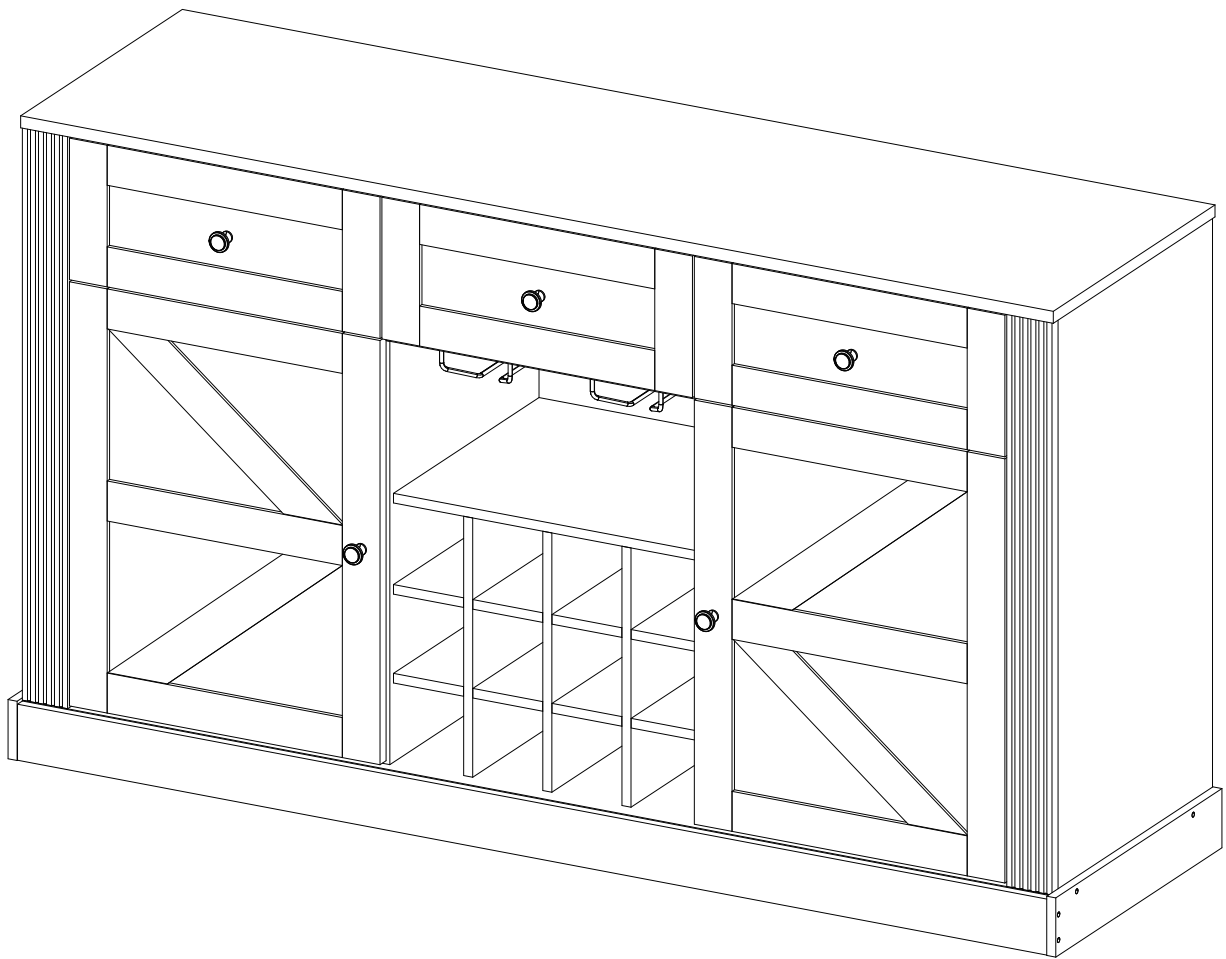
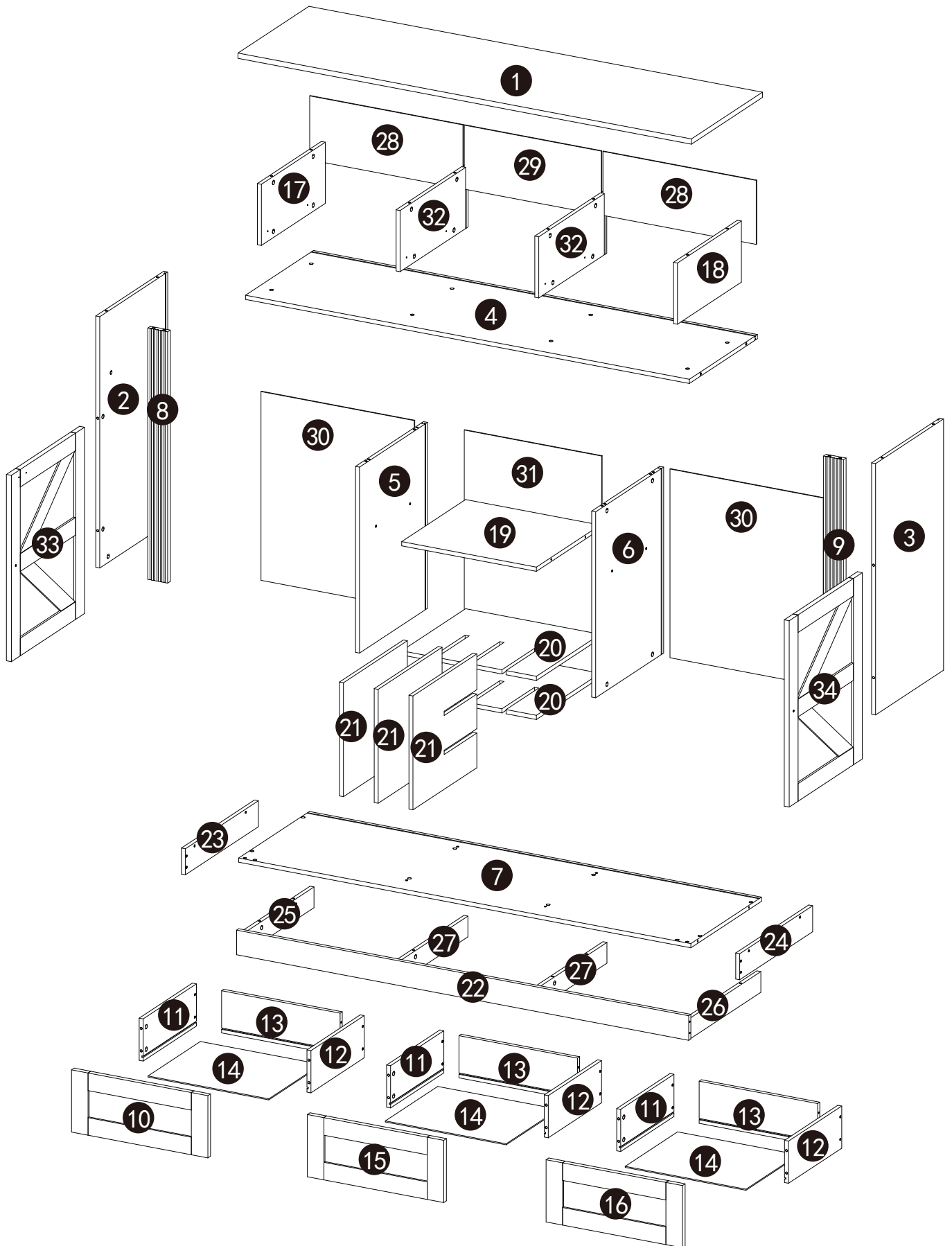
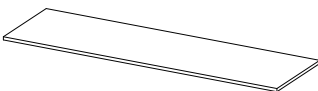
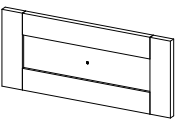
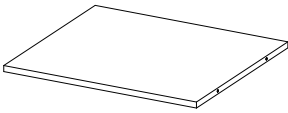
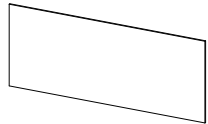
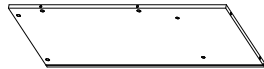
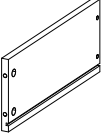
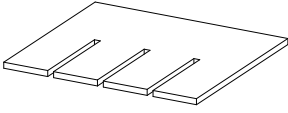
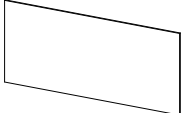

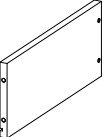
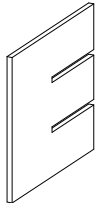
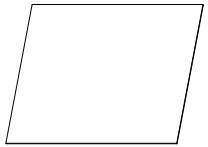
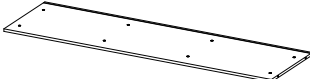



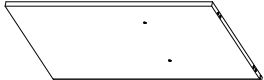

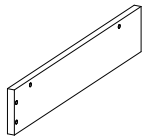
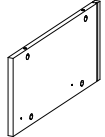

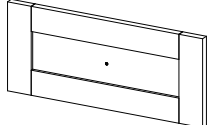
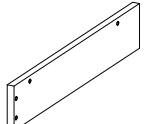
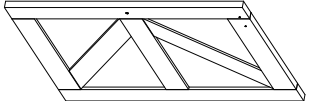
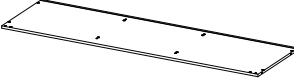
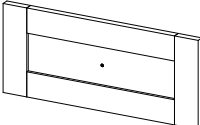
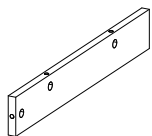
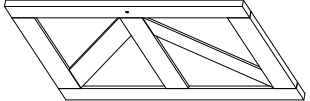

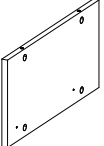
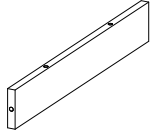

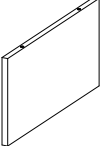
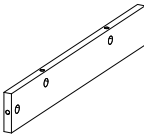


Plate number



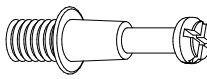

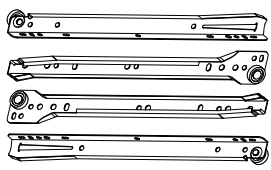



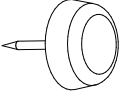
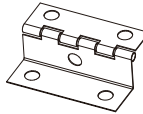



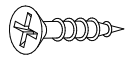
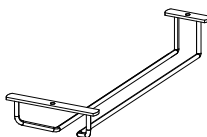
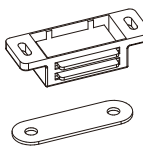
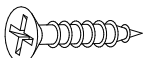

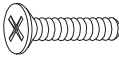
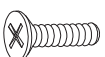

PARTS LIST

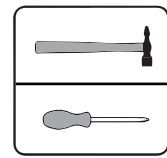
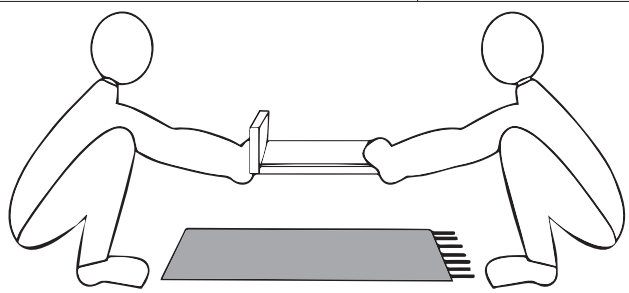
Unit: (mm)

1  x1 PC	10  x1 PC	19  x1 PC	28  x2 PC
2  x1 PC	11  x3 PC	20  x2 PC	29  x1 PC
3  x1 PC	12  x3 PC	21  x3 PC	30  x2 PC
4  x1 PC	13  x3 PC	22  x1 PC	31  x1 PC
5  x1 PC	14  x3 PC	23  x1 PC	32  x2 PC
6  x1 PC	15  x1 PC	24  x1 PC	33  x1 PC
7  x1 PC	16  x1 PC	25  x1 PC	34  x1 PC
8  x1 PC	17  x1 PC	26  x1 PC	
9  x1 PC	18  x1 PC	27  x2 PC	

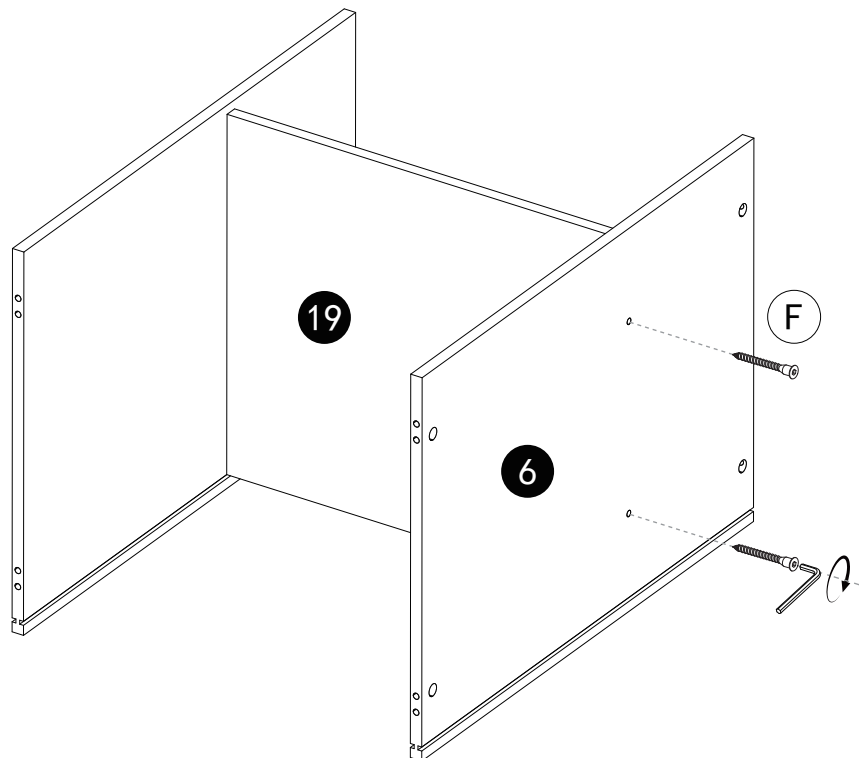
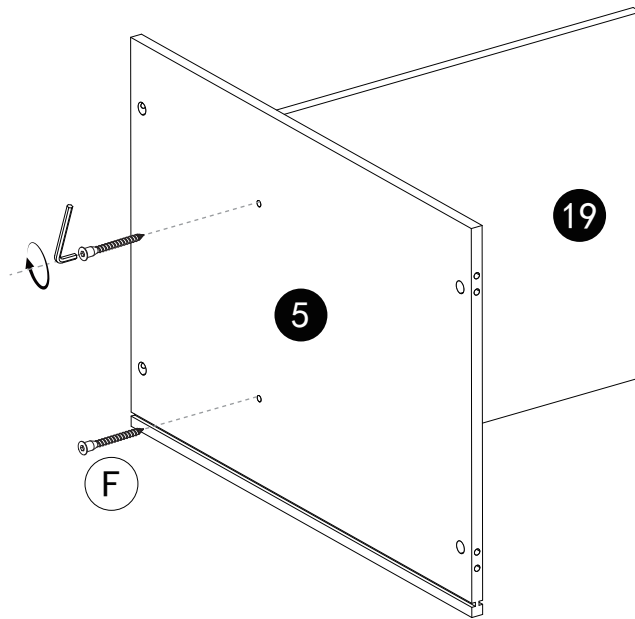
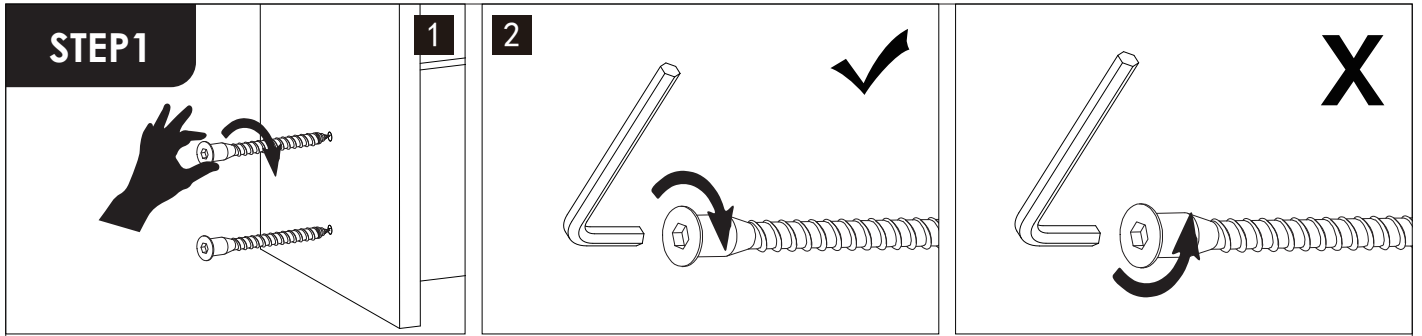
ACCESSORIES LIST

Unit: (mm)

<p>A 6x25 x62 PC</p> 	<p>B 12x10 x62 PC</p> 	<p>C 12 inches x3 PC</p> 
<p>D 8x40 x6 PC</p> 	<p>E M3.5x14 x8 PC</p> 	<p>F M5x40/#3 x24 PC/x1 PC</p> 
<p>G Ø12x5 x8 PC</p> 	<p>H Hinge x4 PC</p> 	<p>J 6x40 x12 PC</p> 
<p>K M3.5x12 x24 PC</p> 	<p>L 21mm x25 PC</p> 	<p>M M3x12 x12 PC</p> 
<p>N x2 PC</p> 	<p>O x2 PC</p> 	<p>P M3x14 x20 PC</p> 
<p>Q x12 PC</p> 	<p>R M4x18 x2 PC</p> 	<p>S M4x6 x3 PC</p> 
<p>T x5 PC</p> 		



INSTALLATION INSTRUCTION



STEP 2

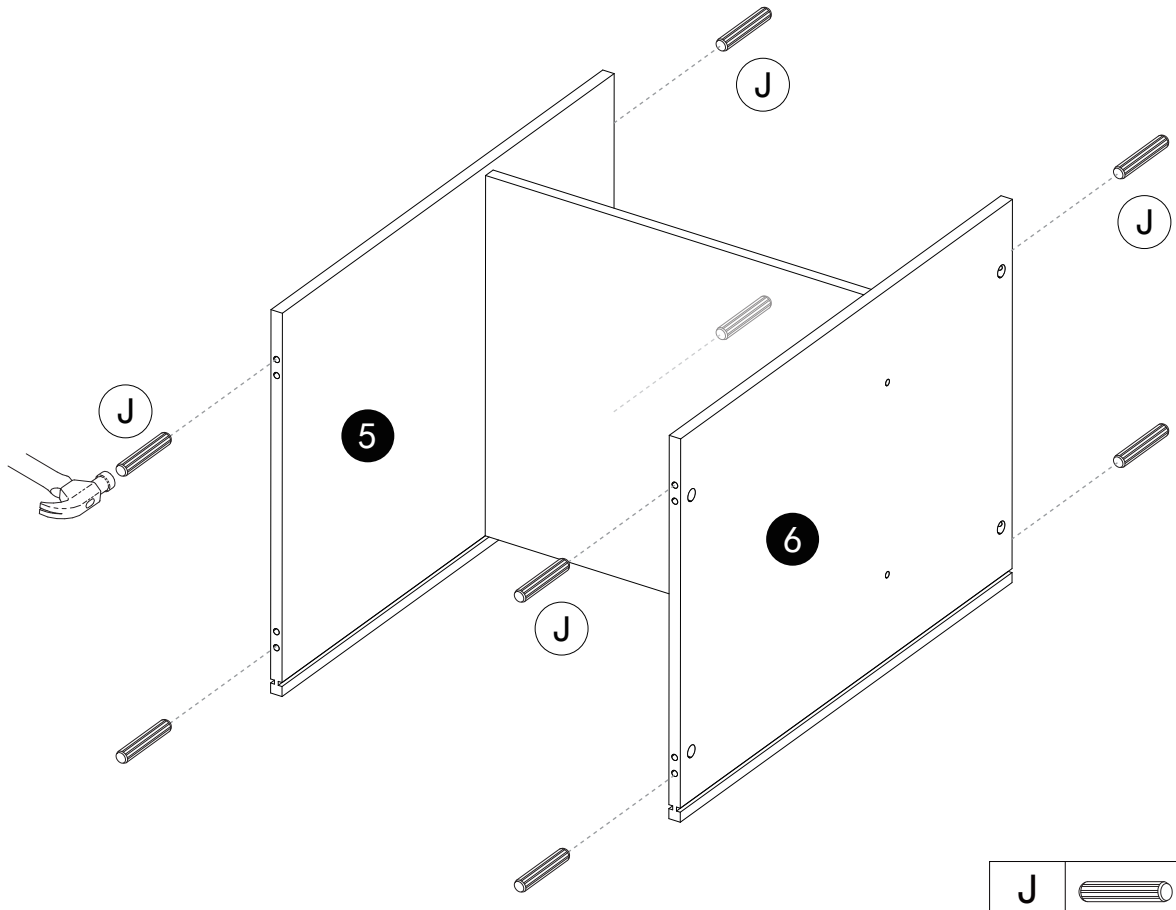
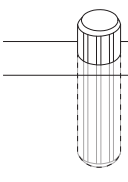
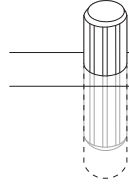
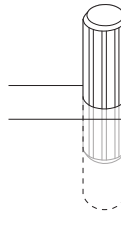
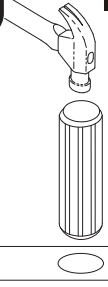
1


2

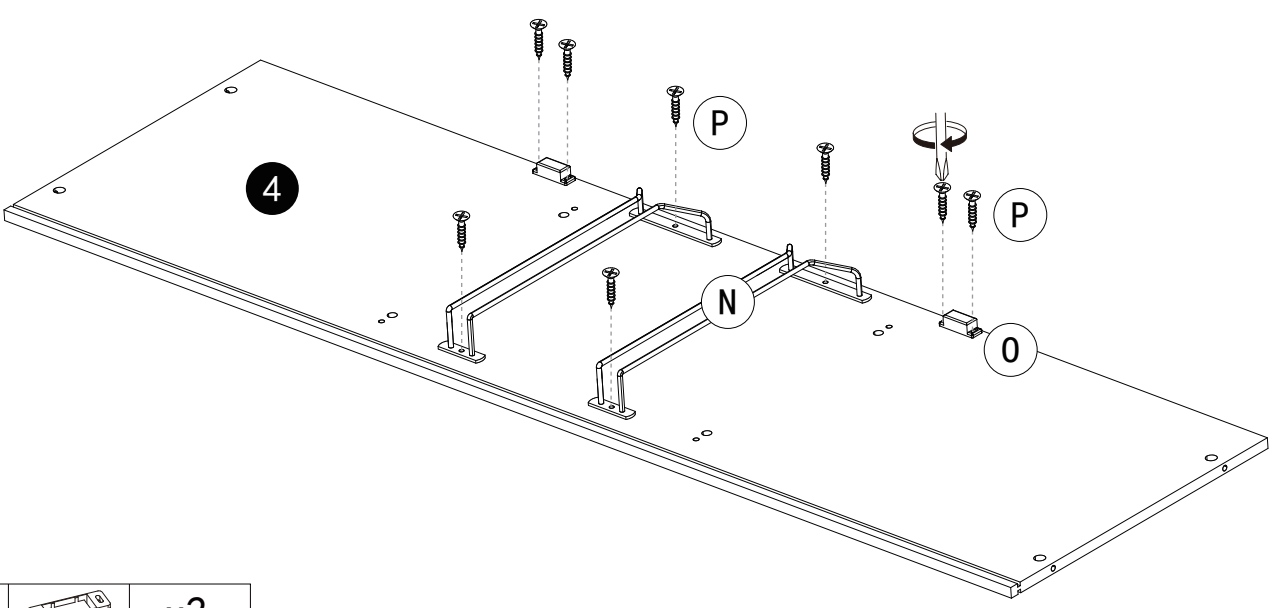
X


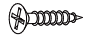

X

✓



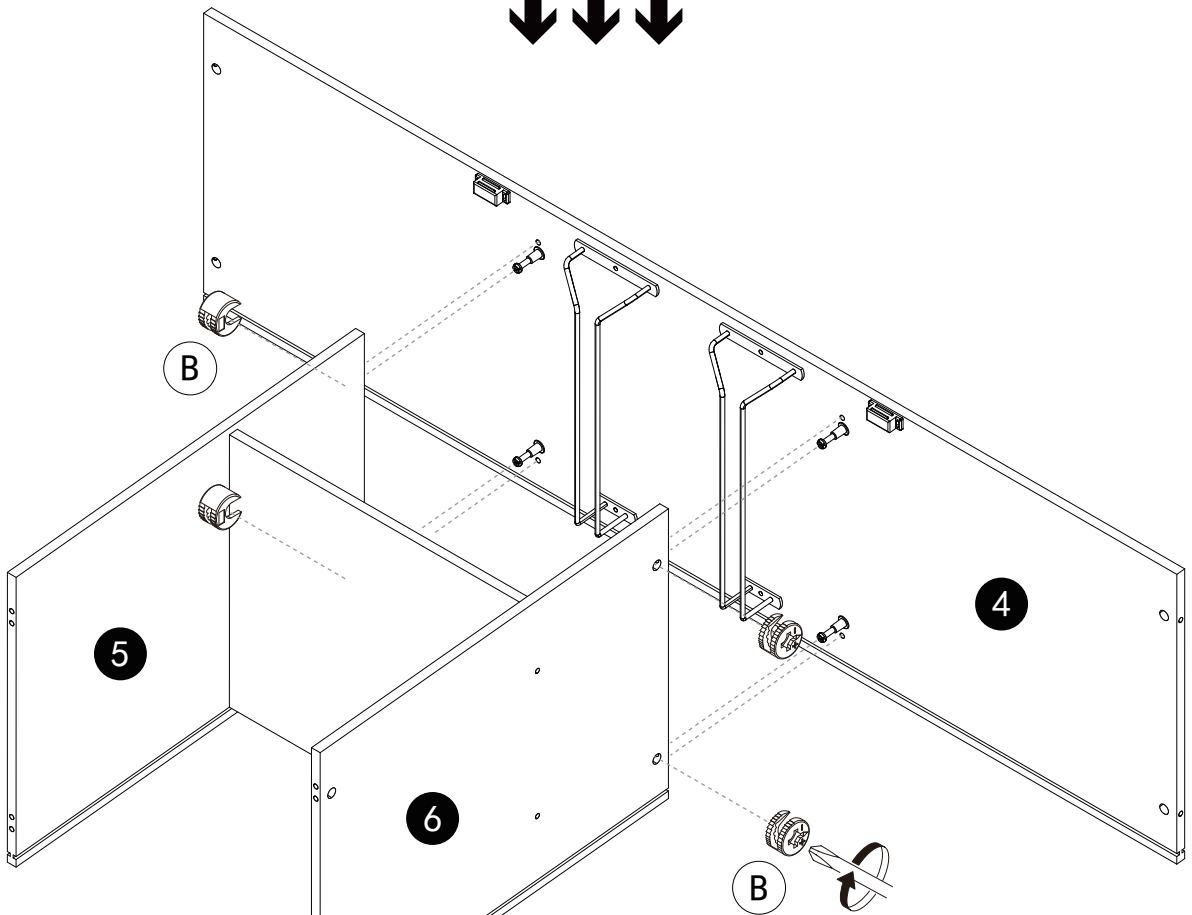
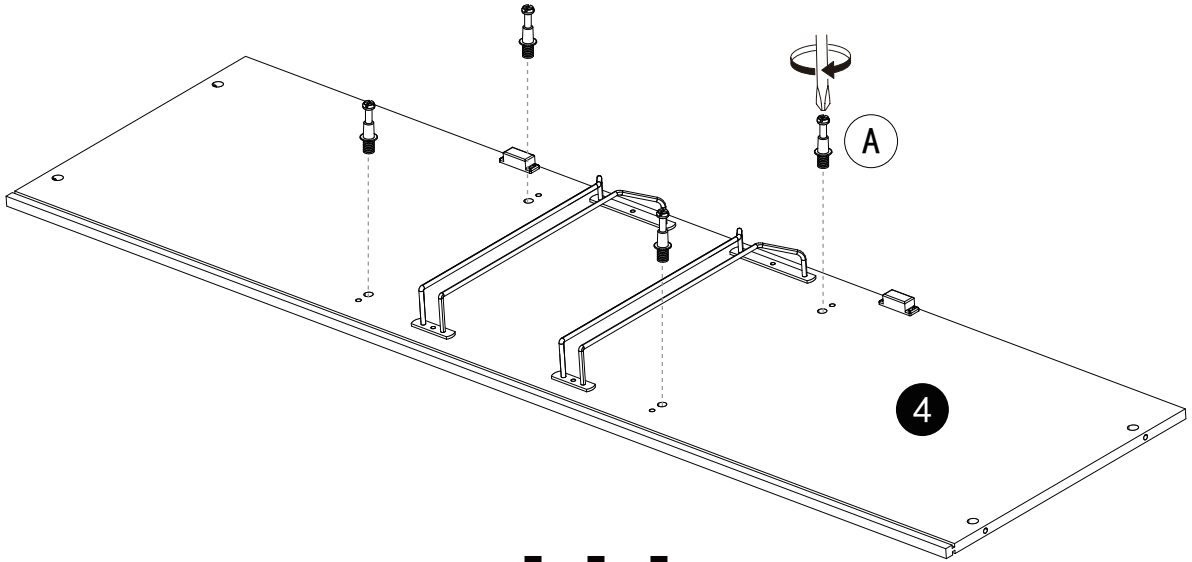
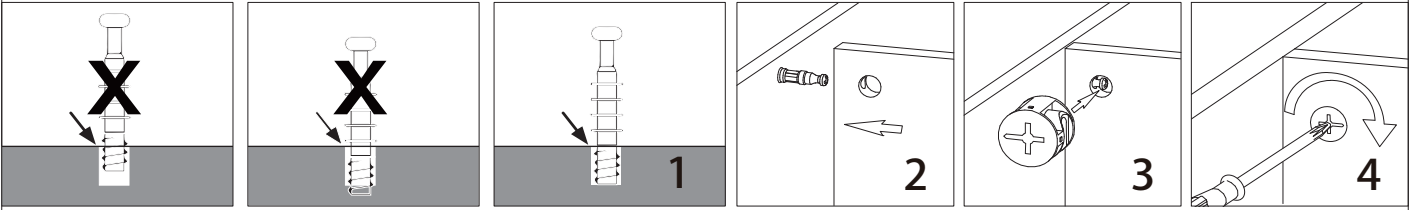
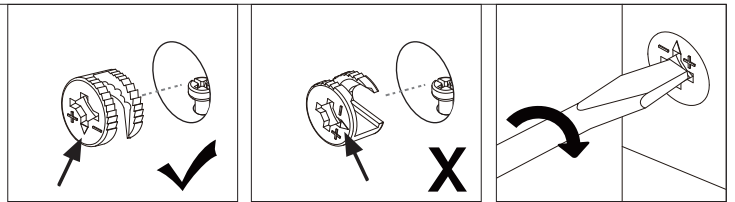
J		x8
---	---	----

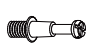



O		x2		
P		x8	N	 x2

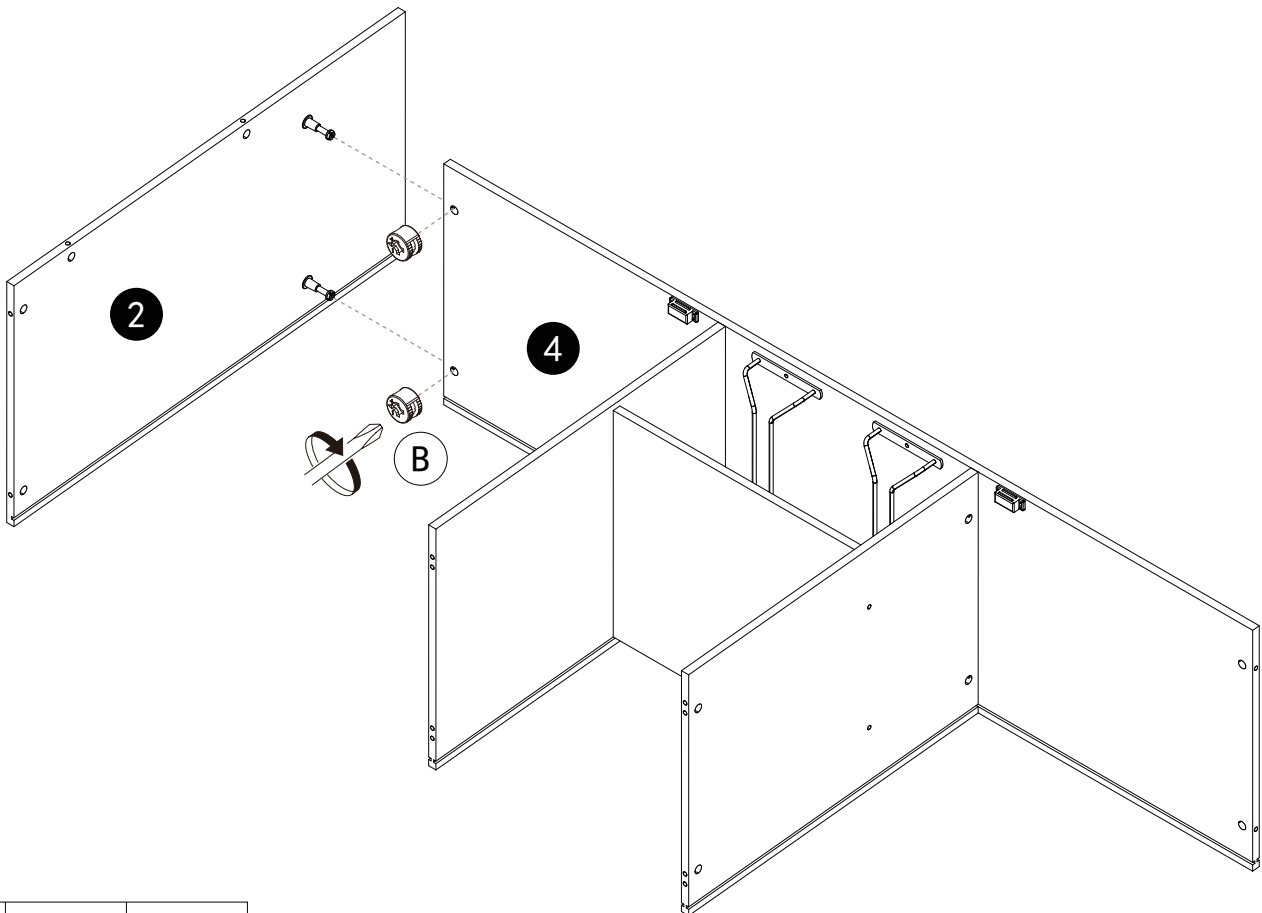
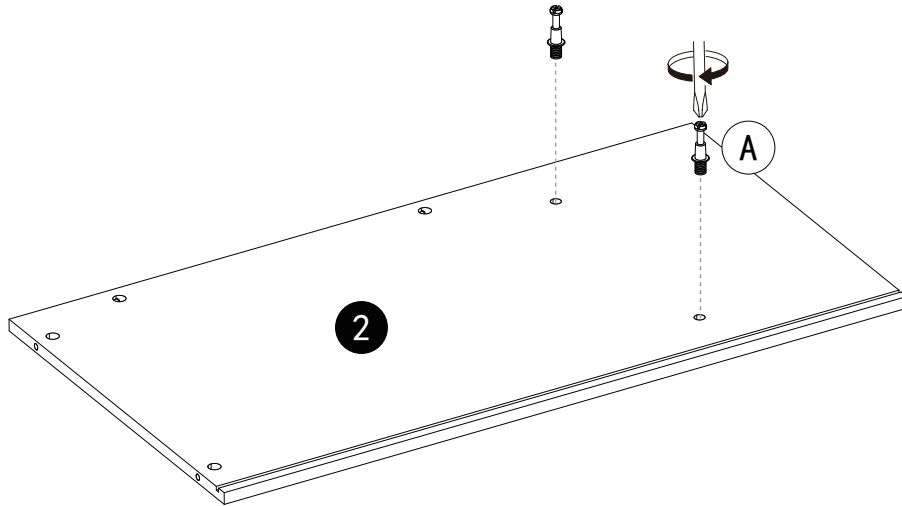
STEP 3

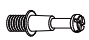

Installation method of three in one rod and buckle



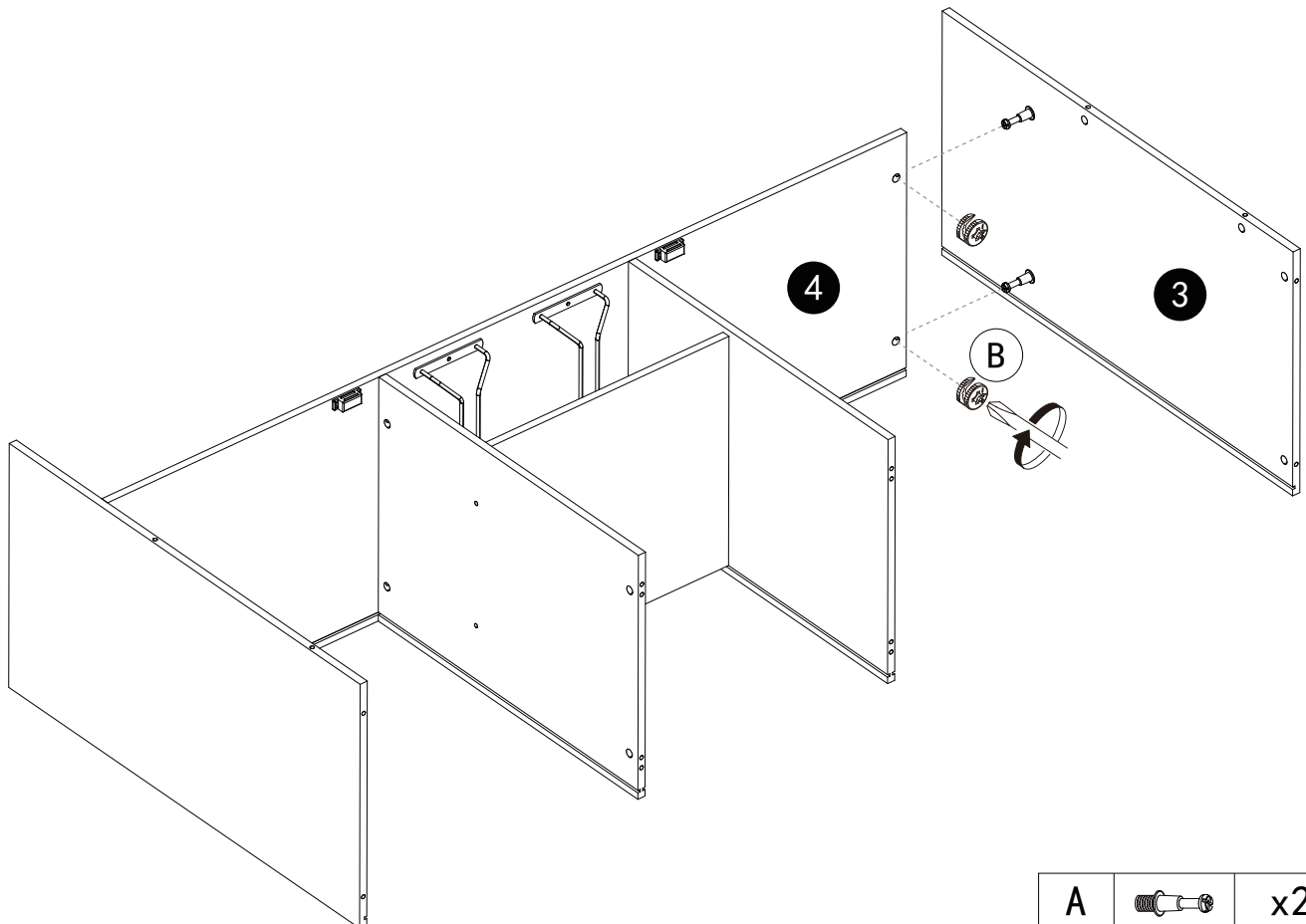
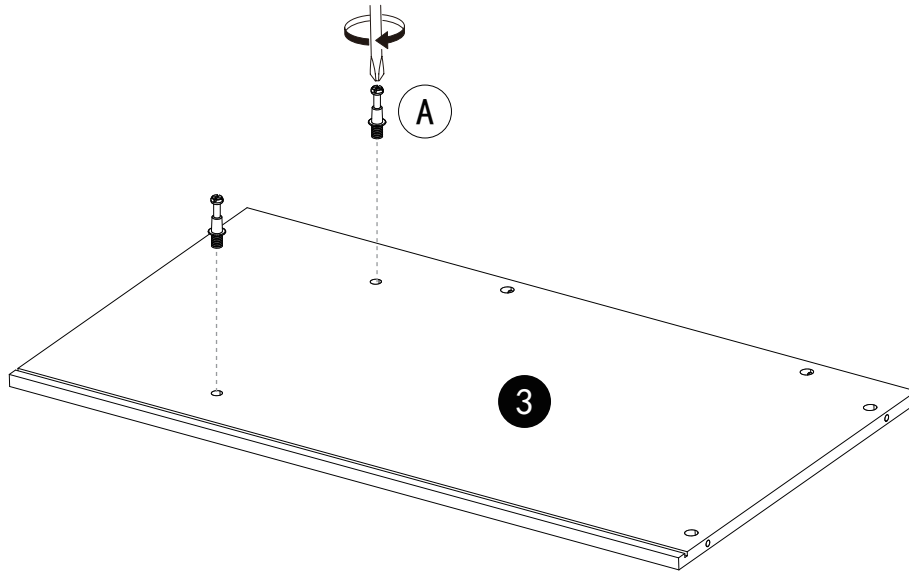
A		x4
B		x4

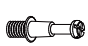

STEP 4



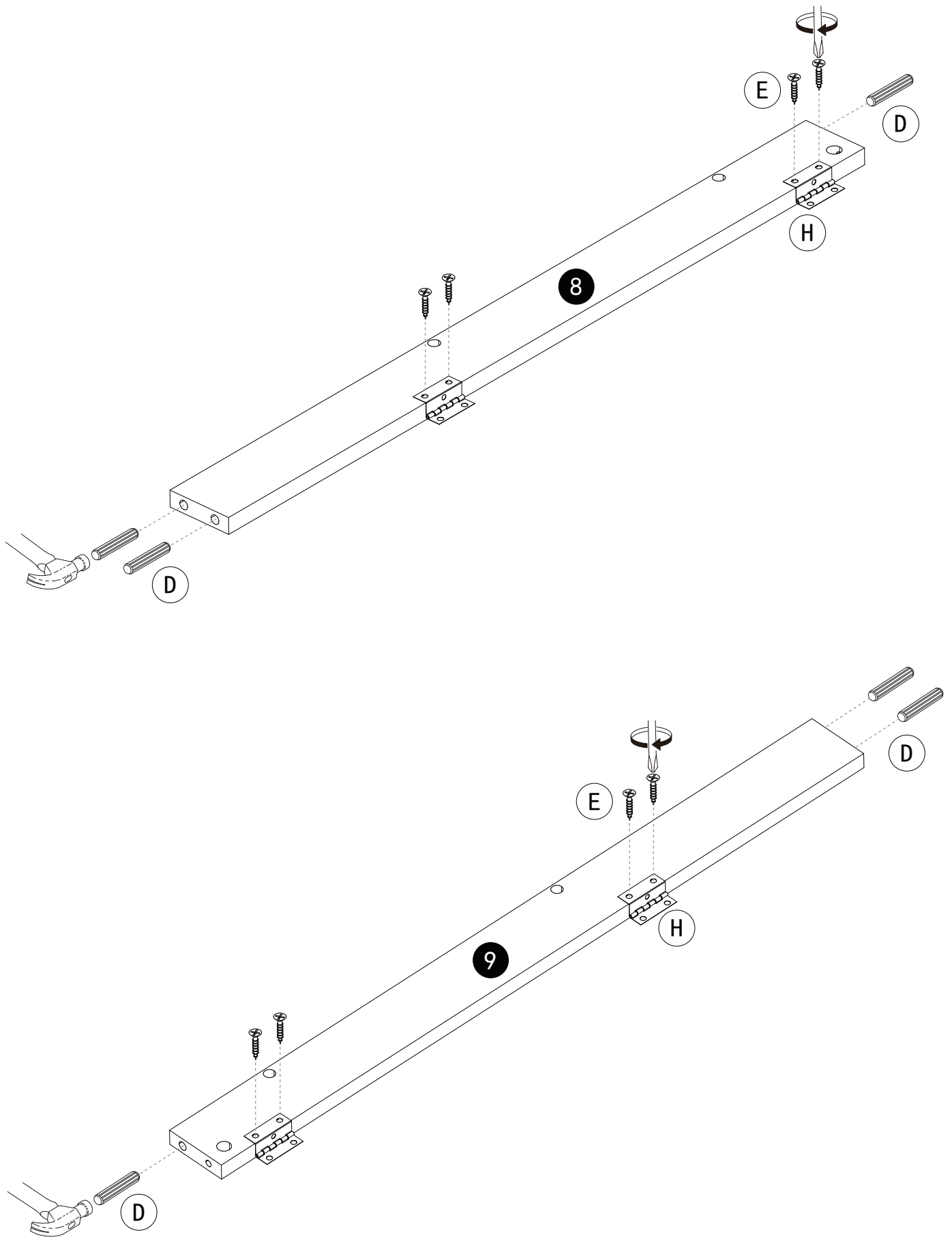
A		x2
B		x2




STEP 5



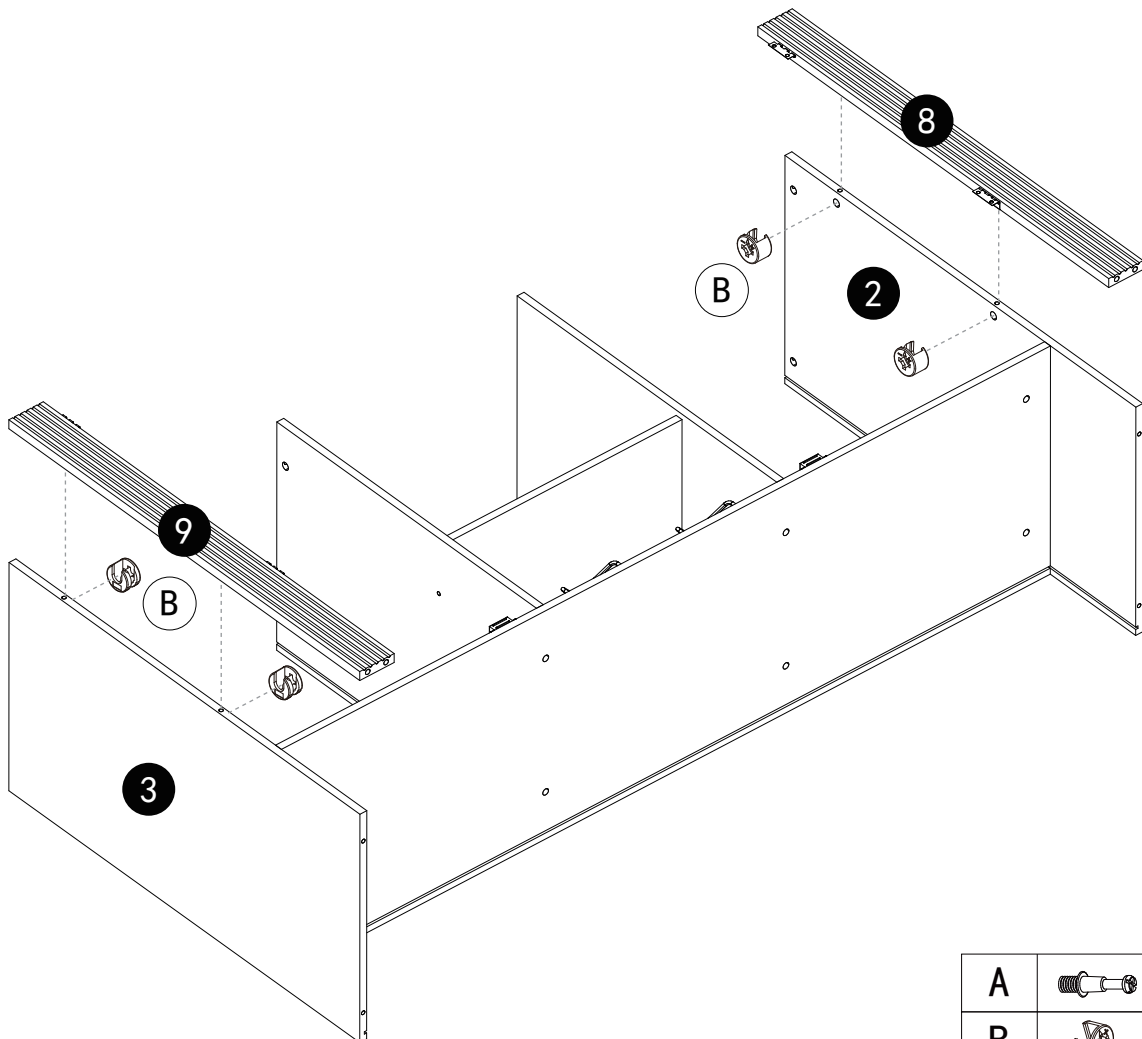
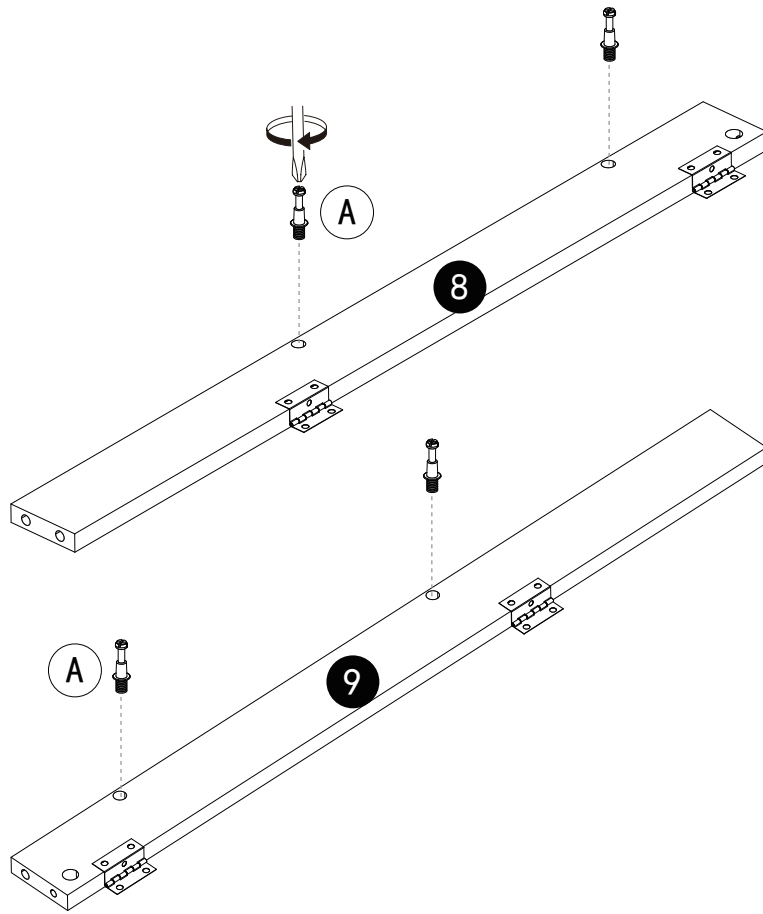
A		x2
B		x2

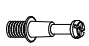

STEP 6



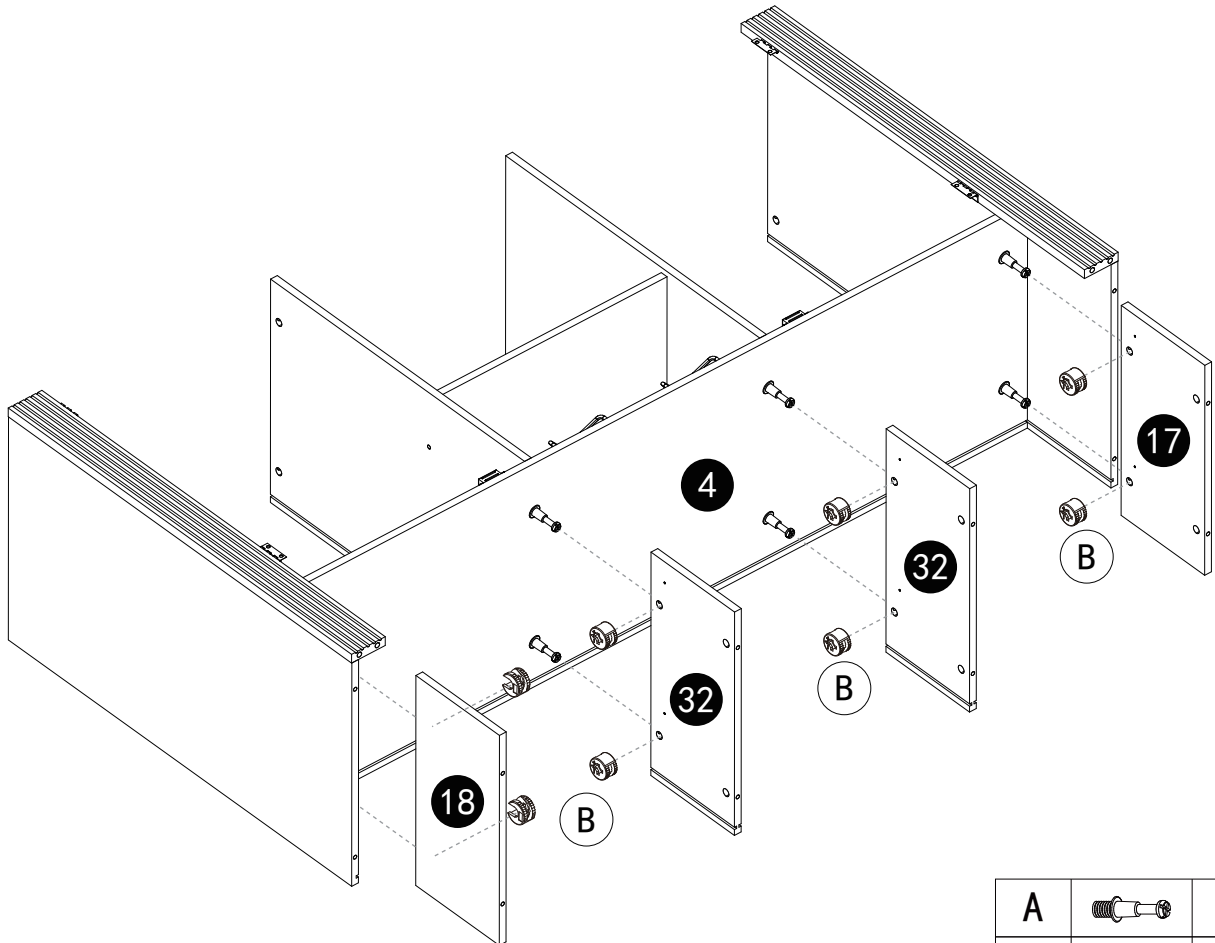
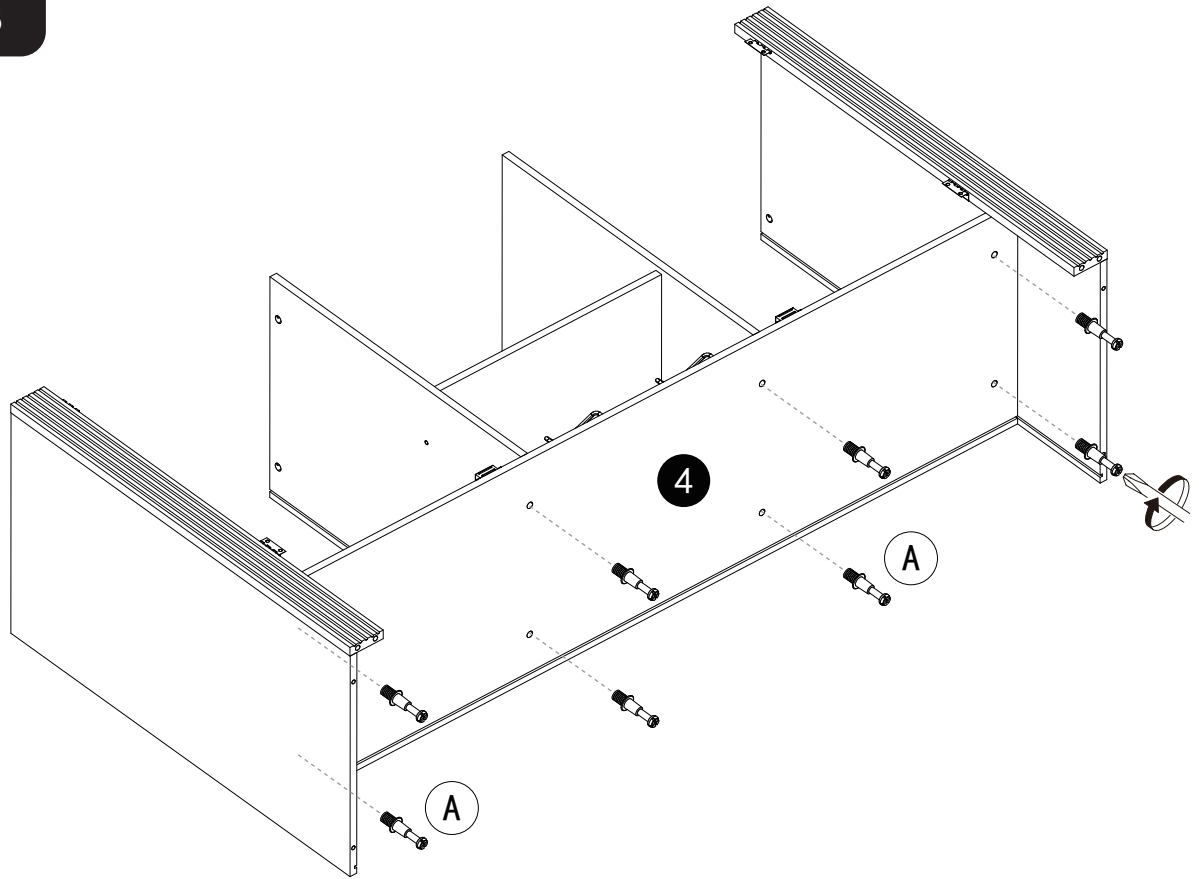
			H		x4
D		x6	E		x8

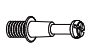

STEP 7



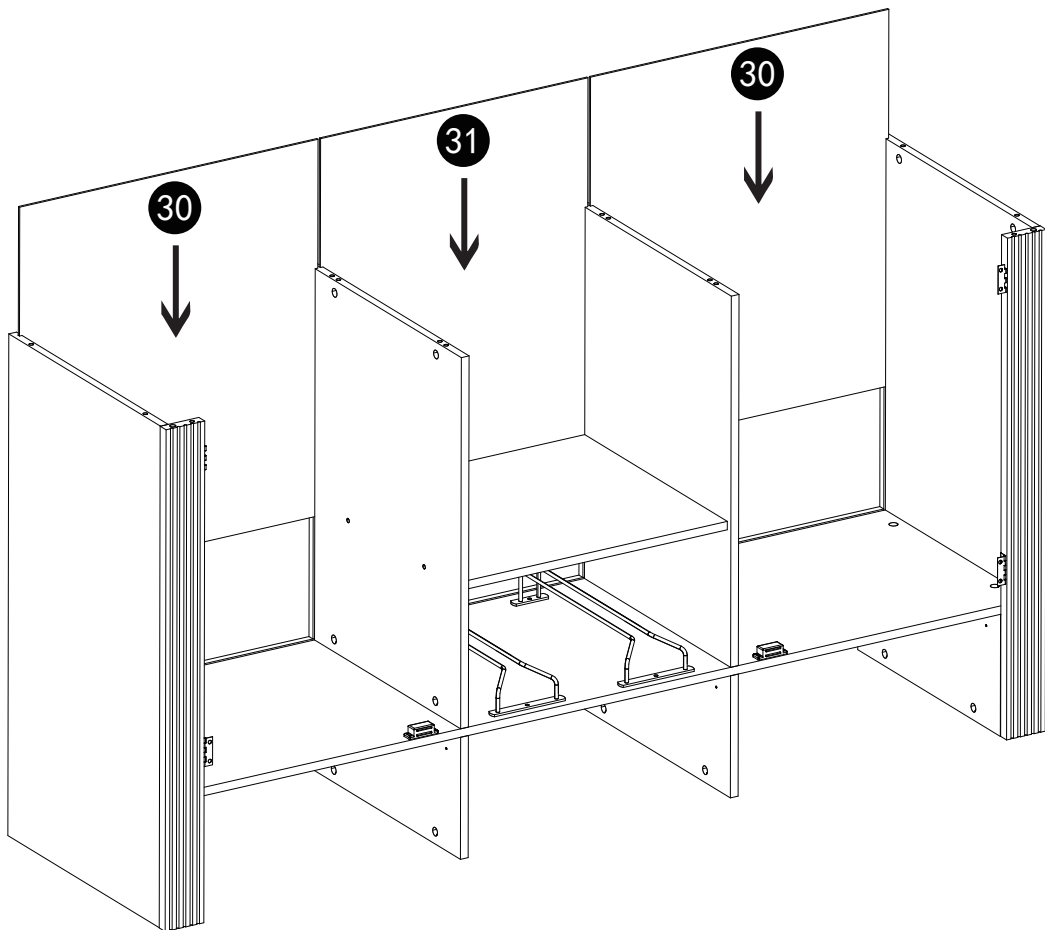
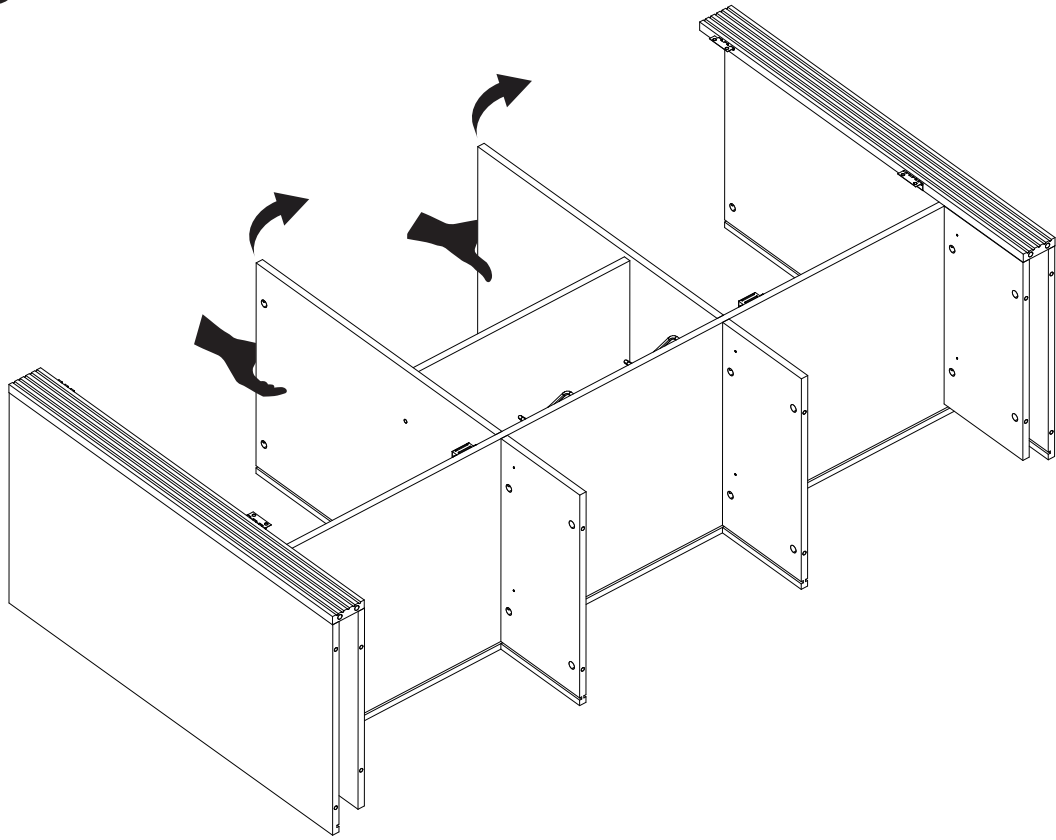
A		x4
B		x4

STEP 8

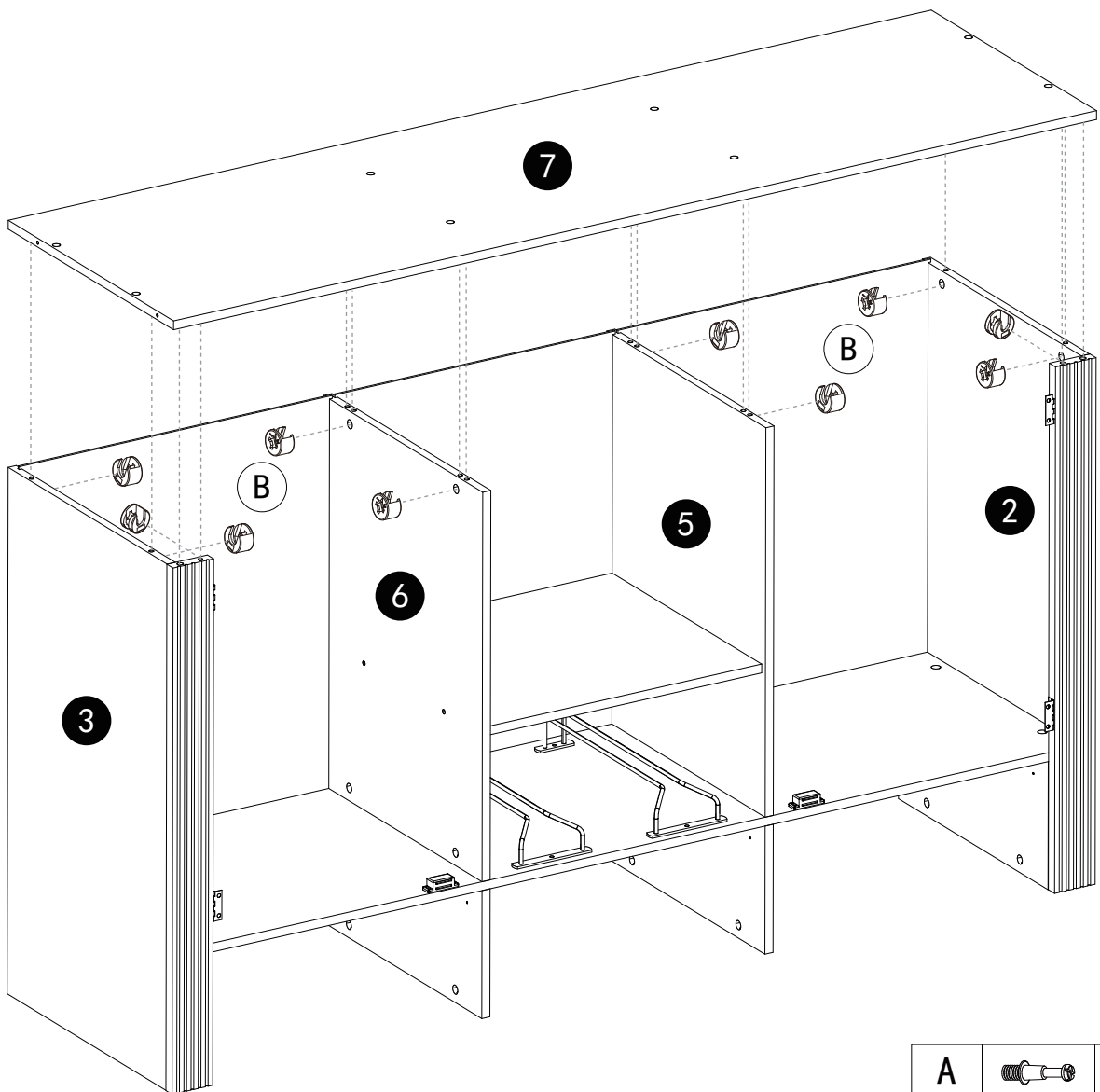
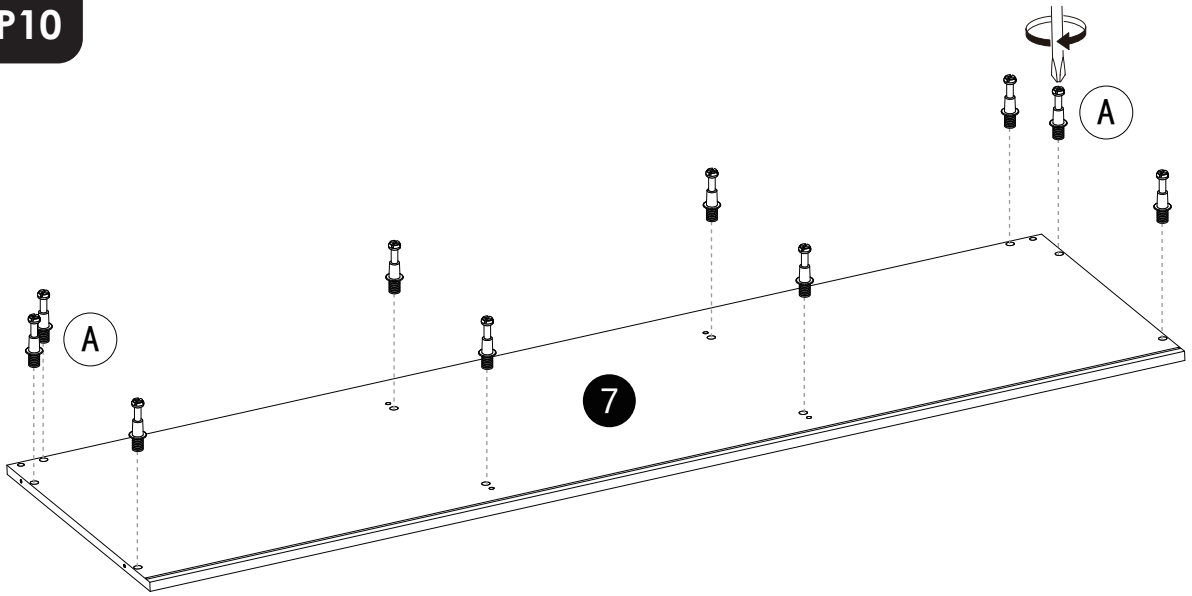


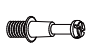

A		x8
B		x8

STEP 9

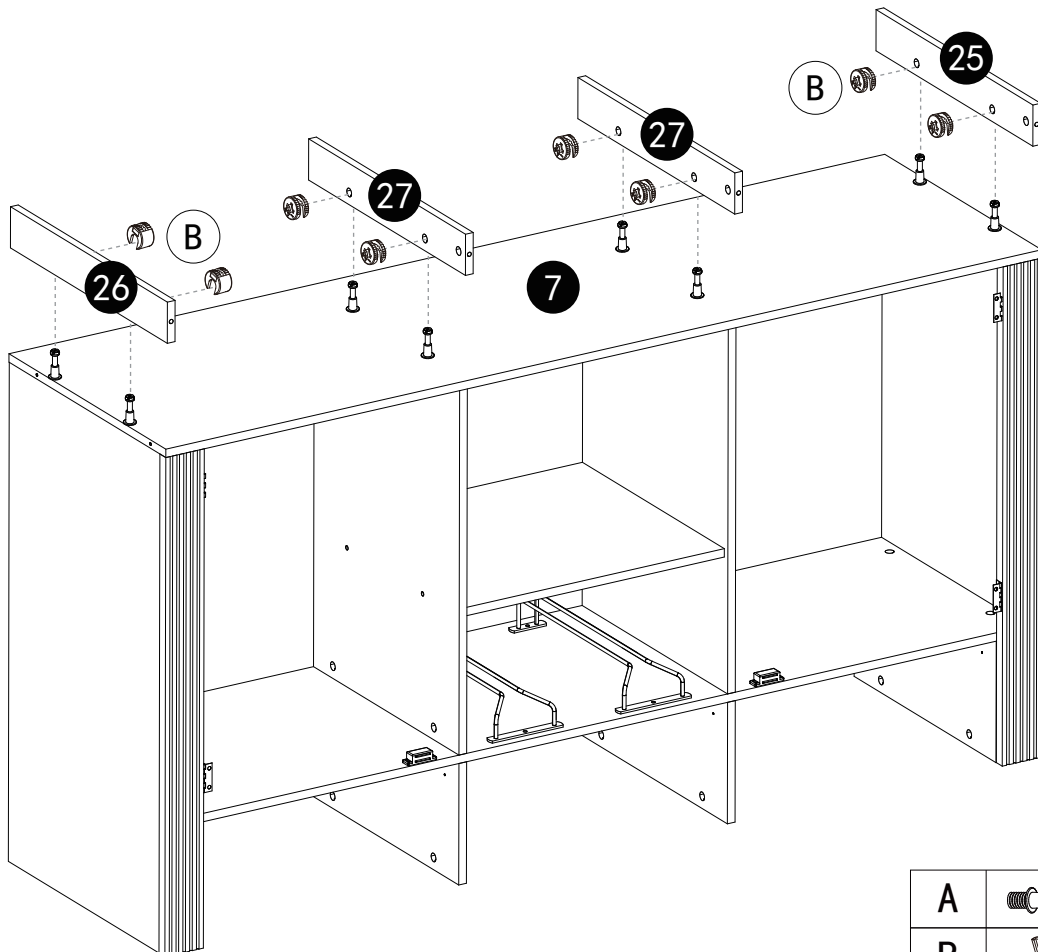
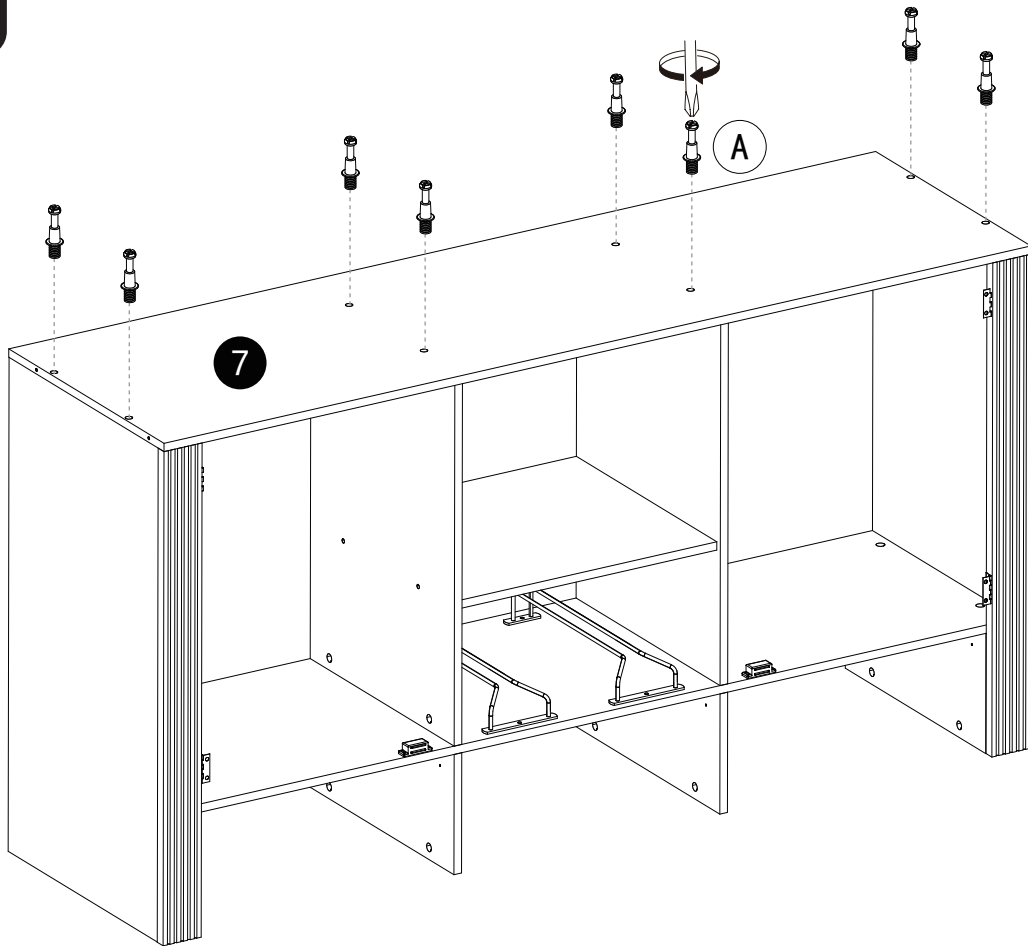


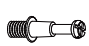

STEP 10



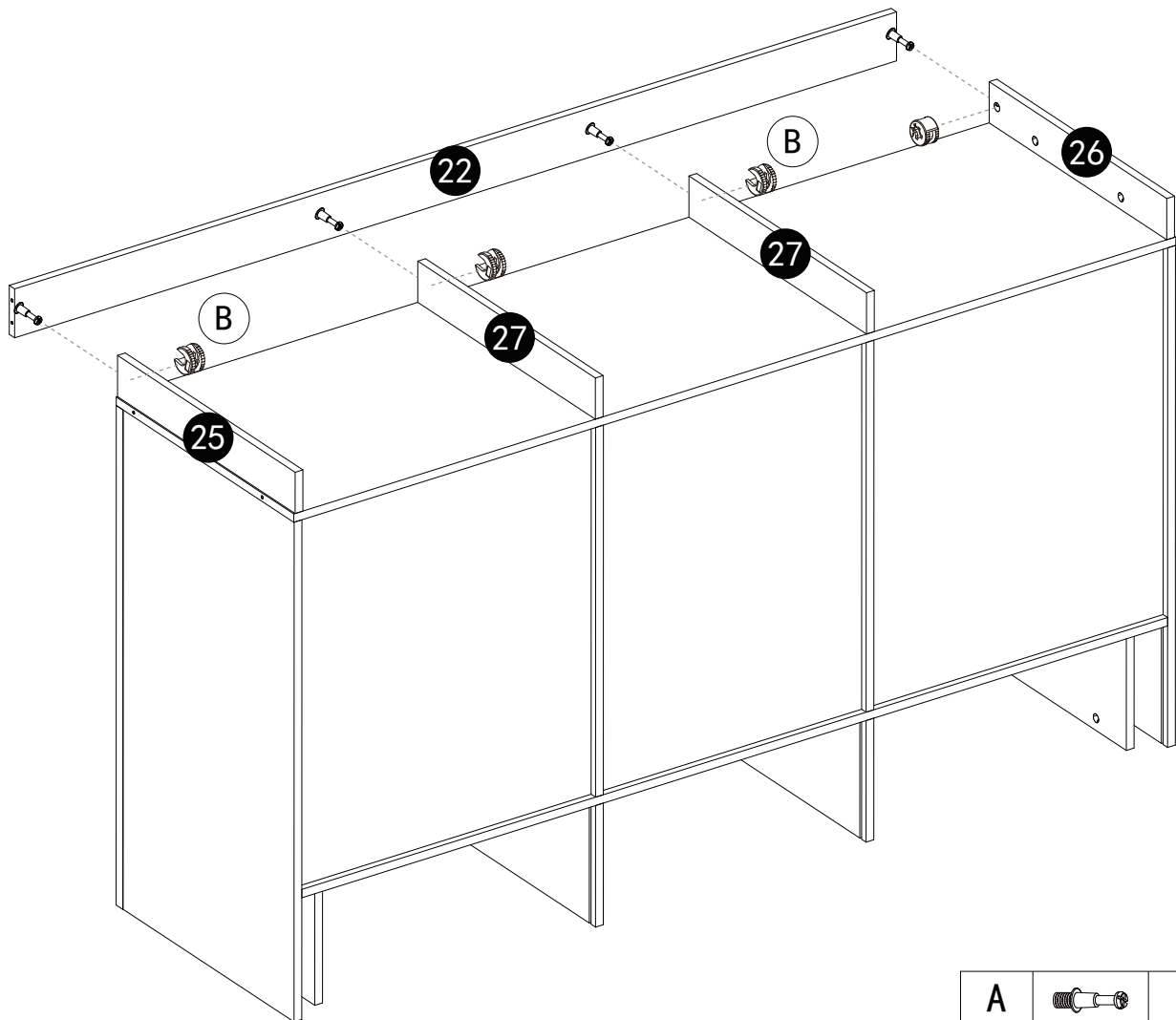
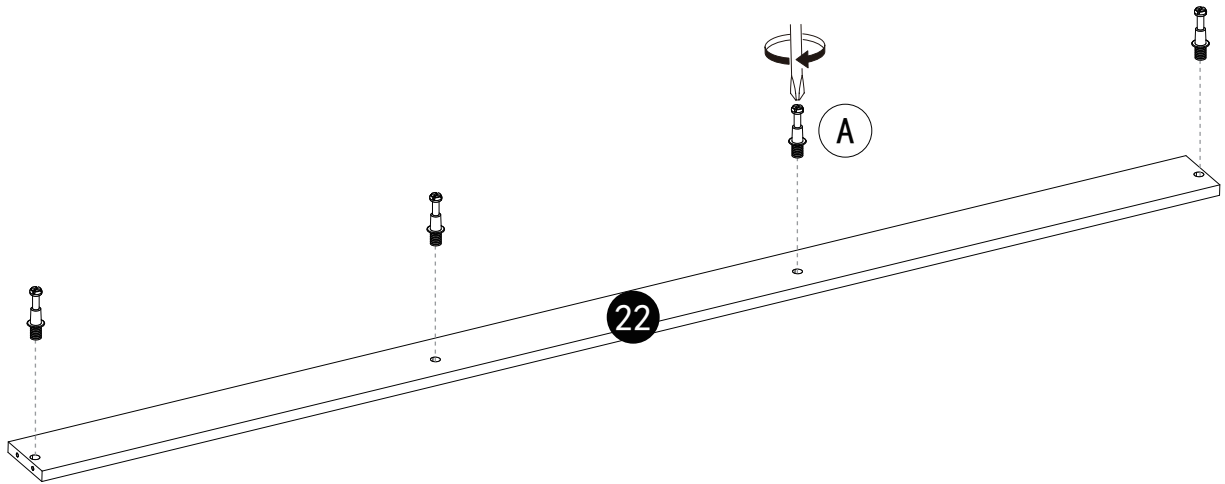
A		x10
B		x10

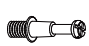

STEP 11



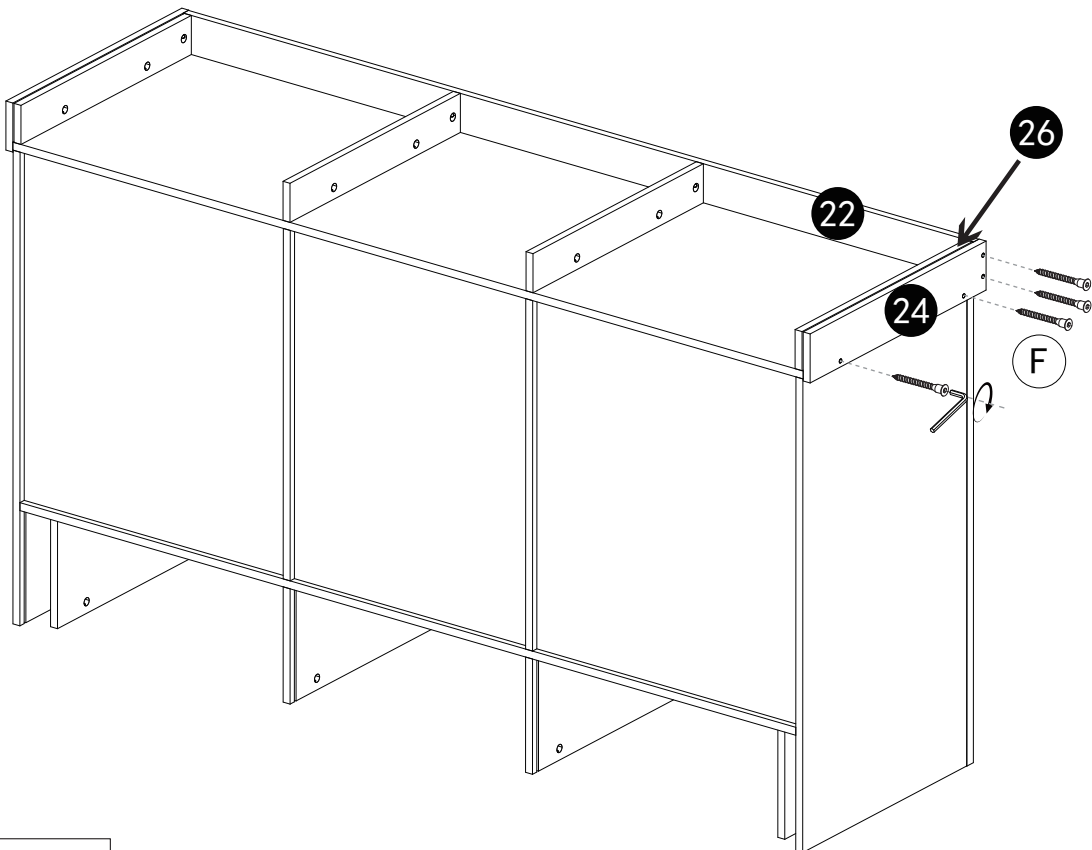
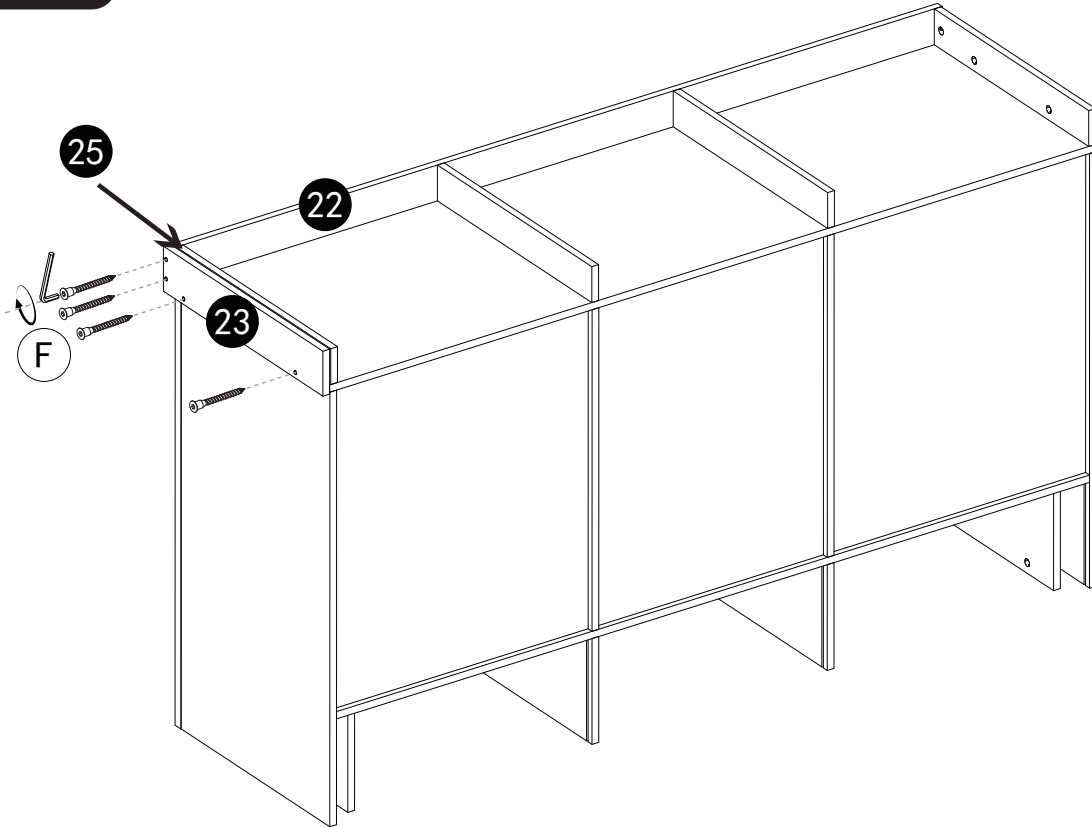
A		x8
B		x8

STEP 12



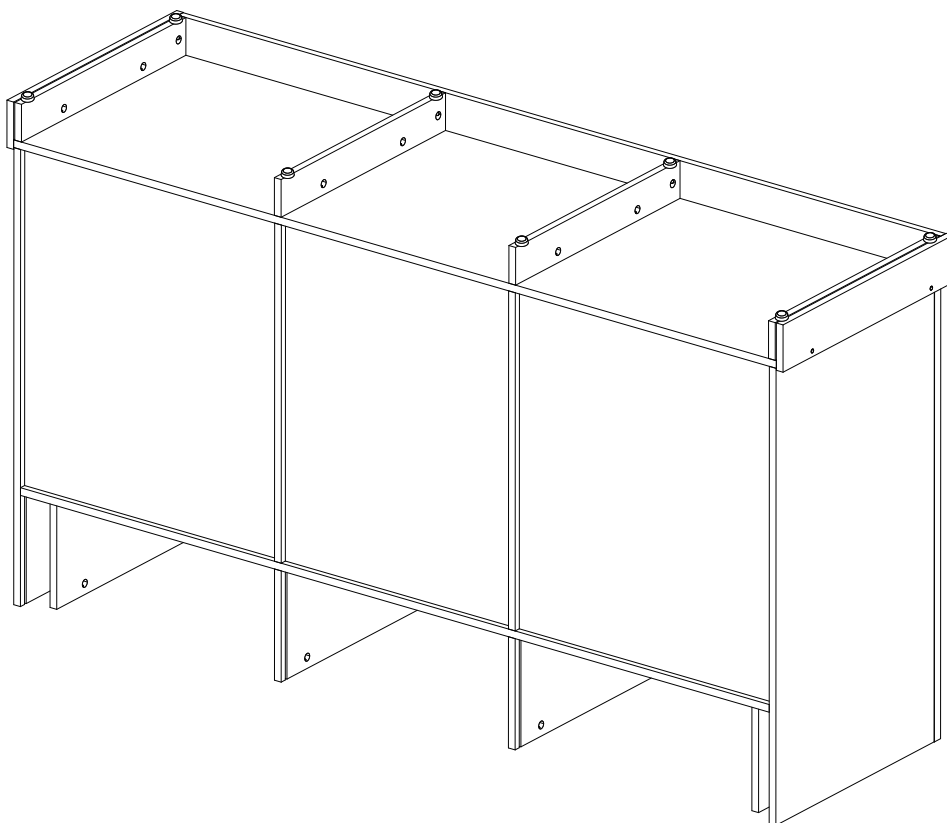
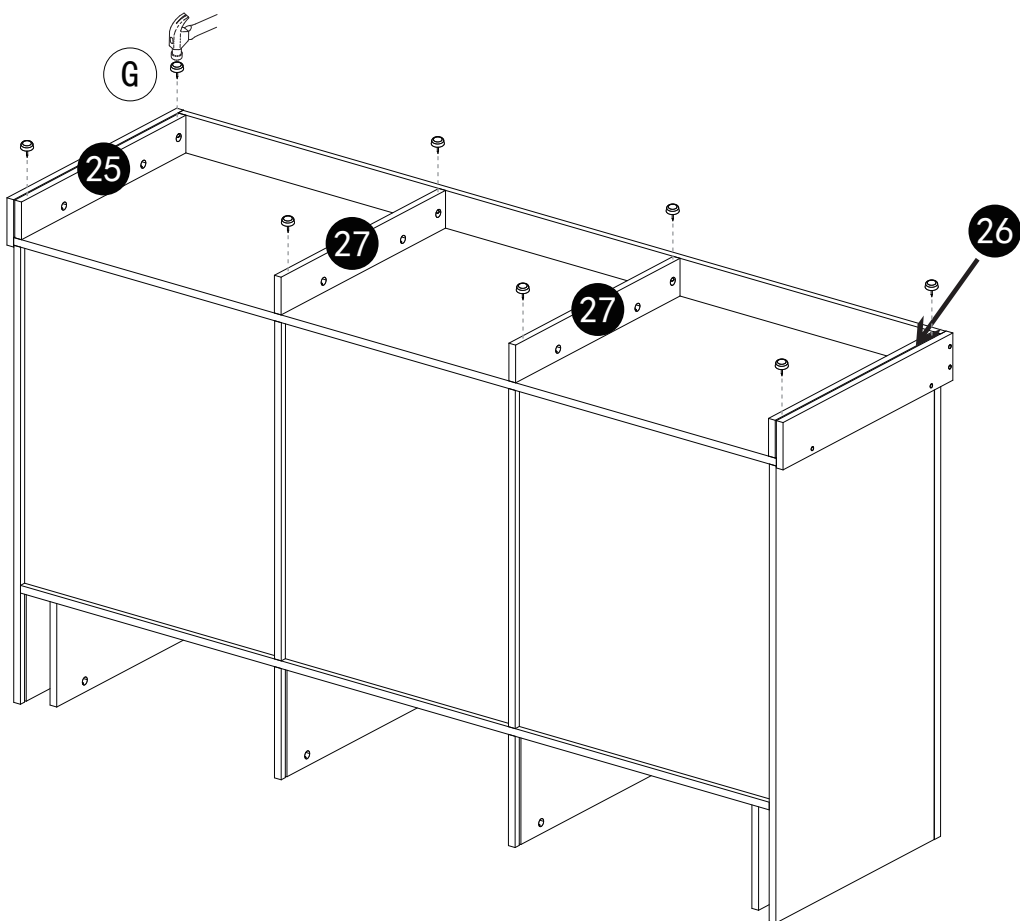
A		x4
B		x4

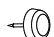
STEP 13



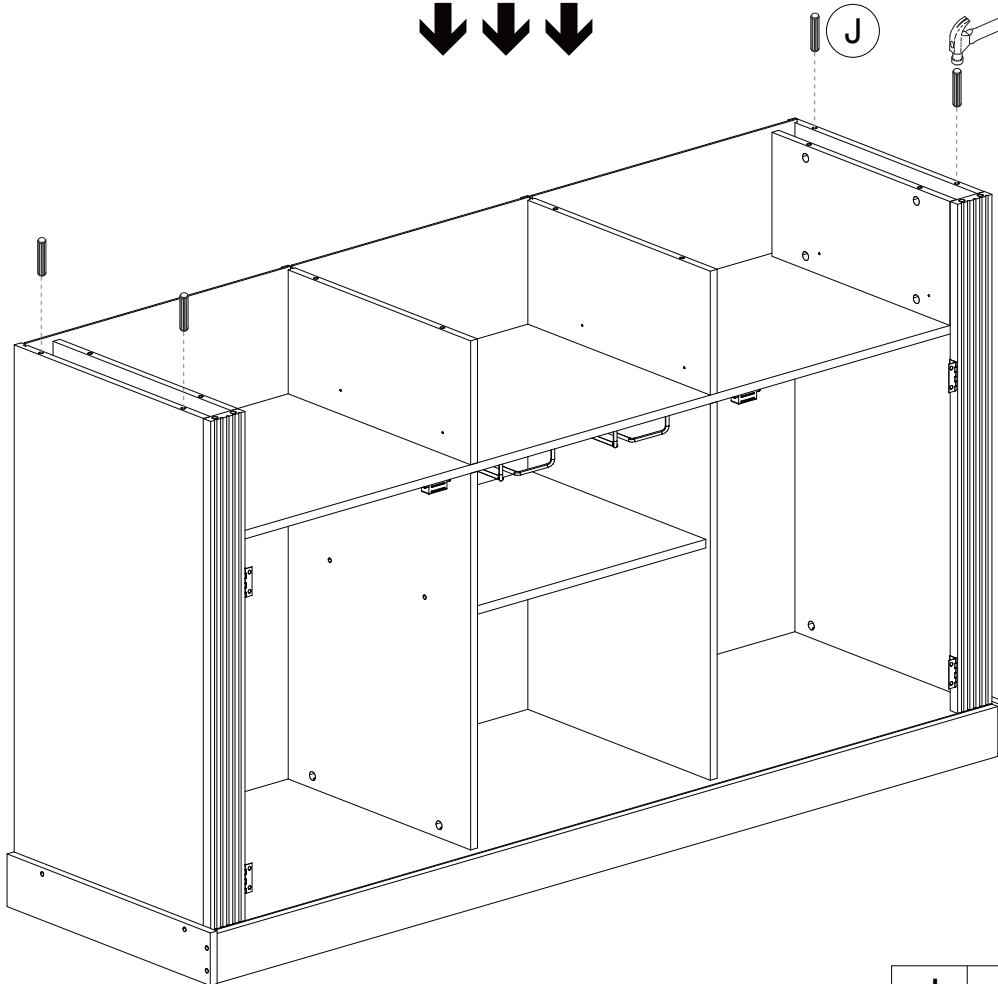
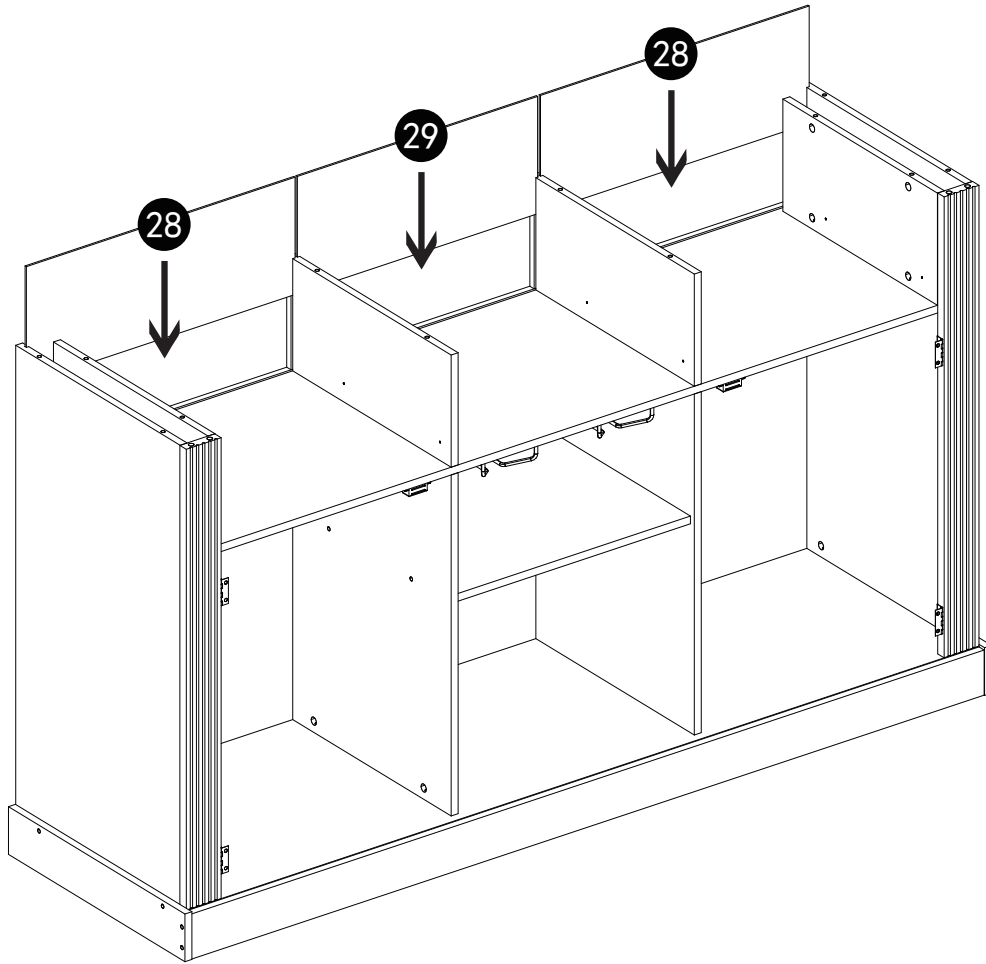
F  x8


STEP 14



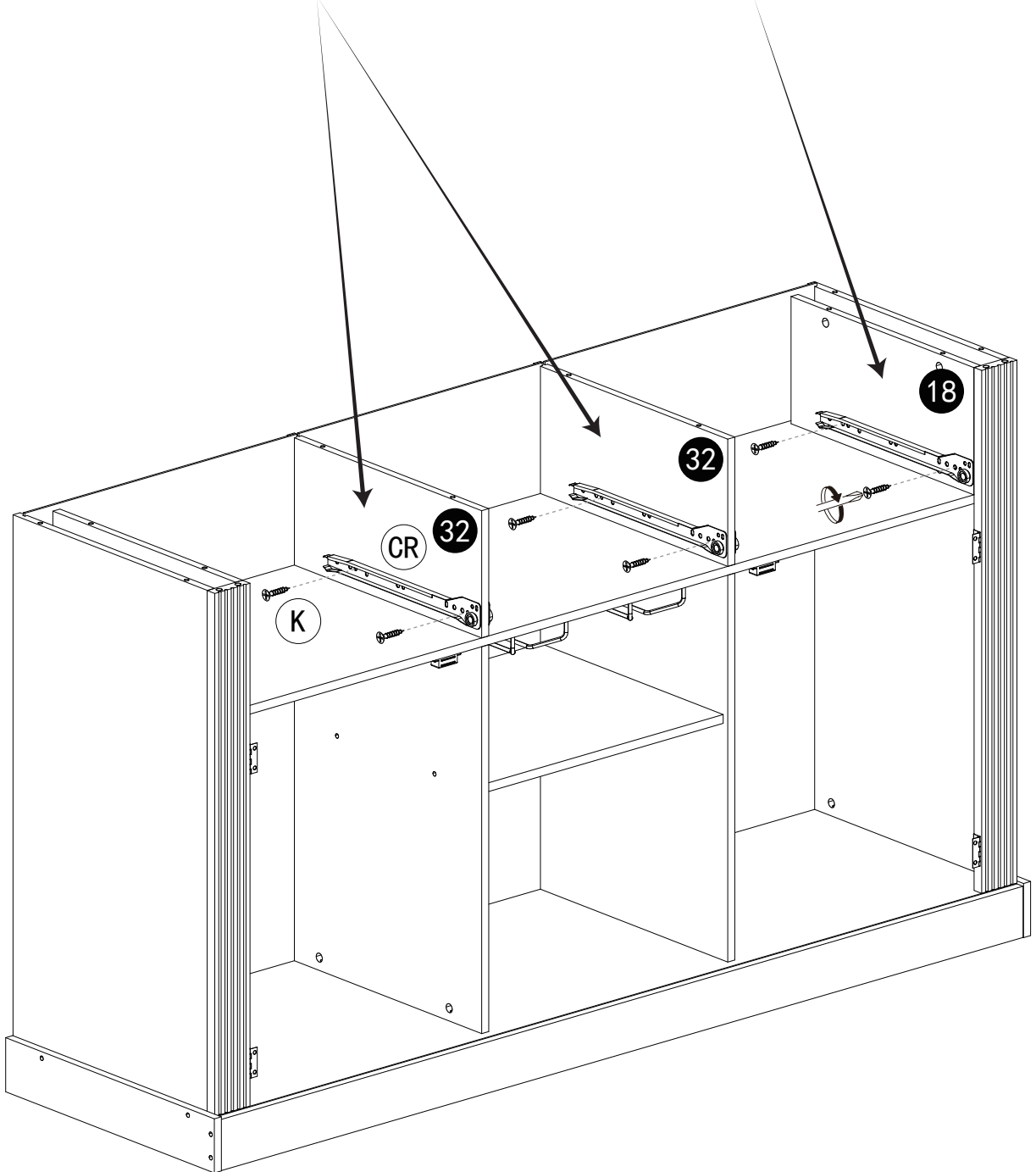
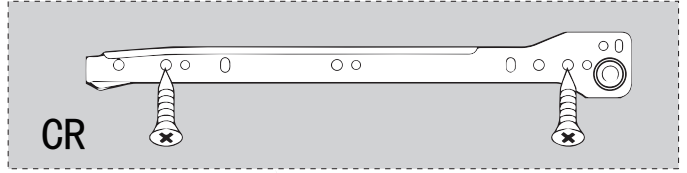
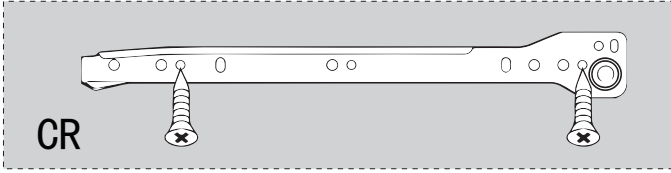
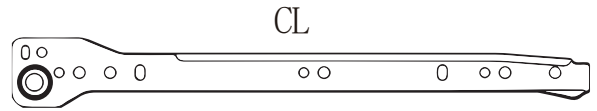
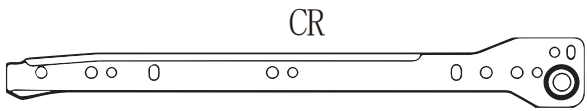
G		x8
---	---	----

STEP 15



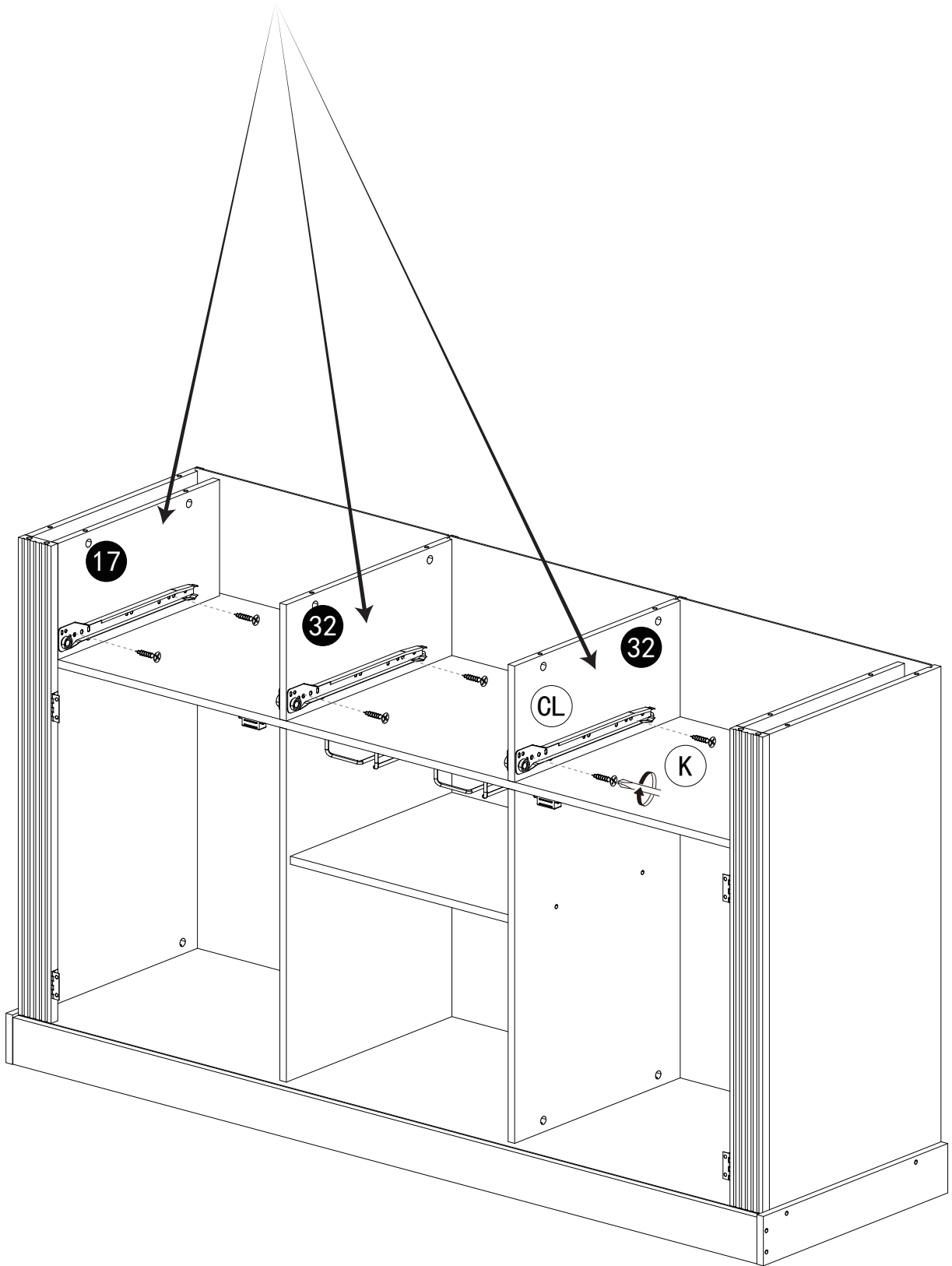
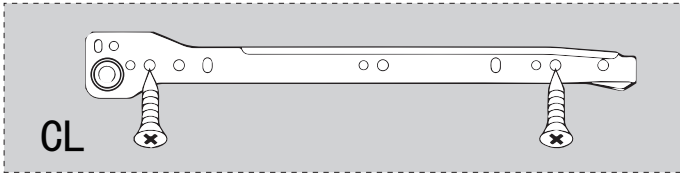
J		x4
---	---	----

STEP 16



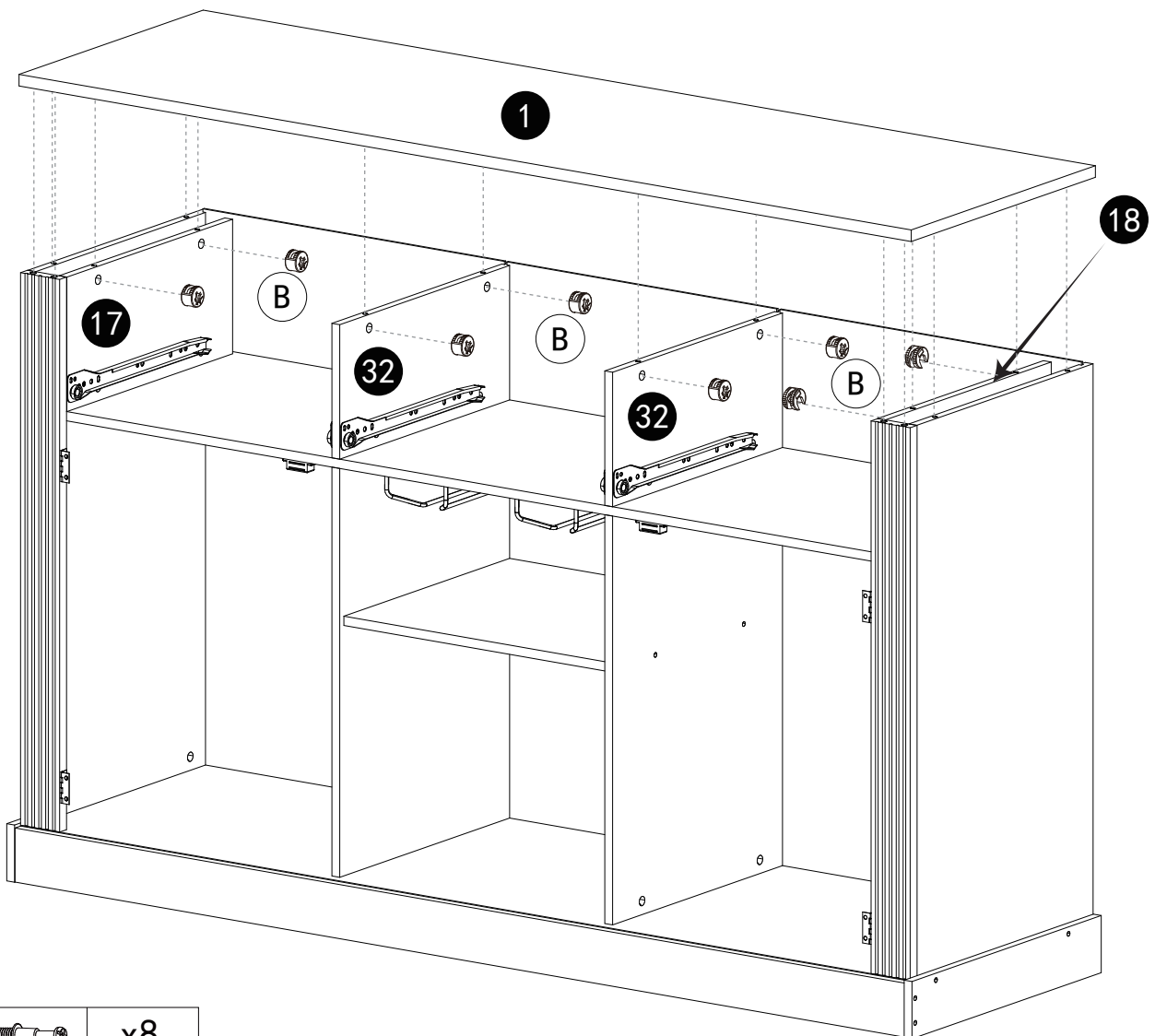
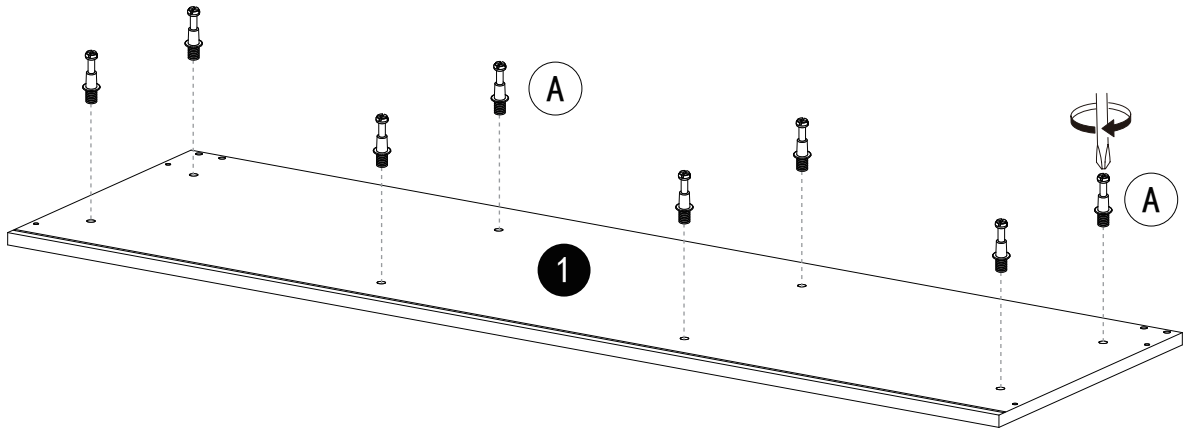
CR		x3
K		x6

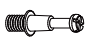

STEP 17



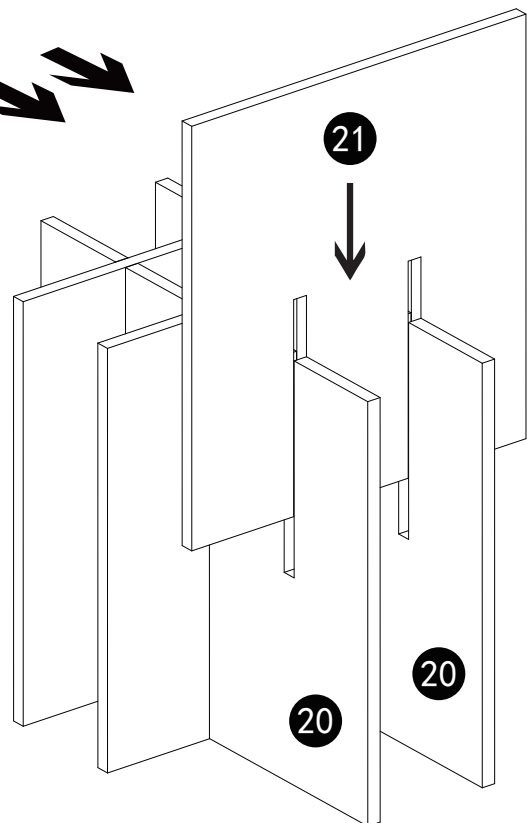
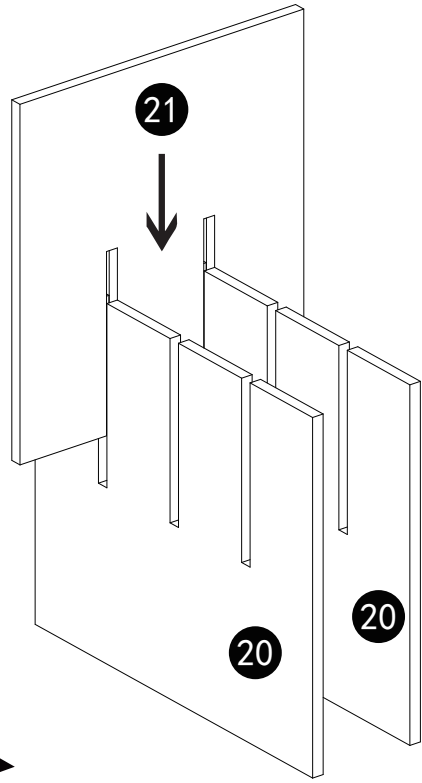
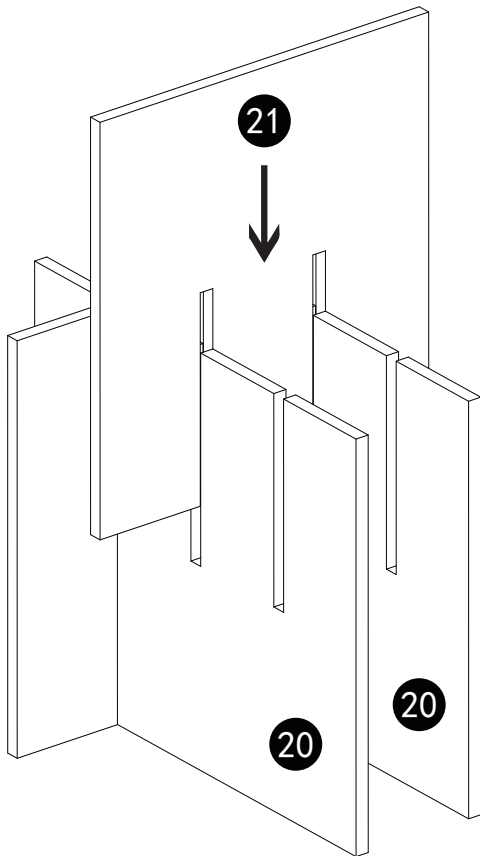
CL		x3
K		x6

STEP 18

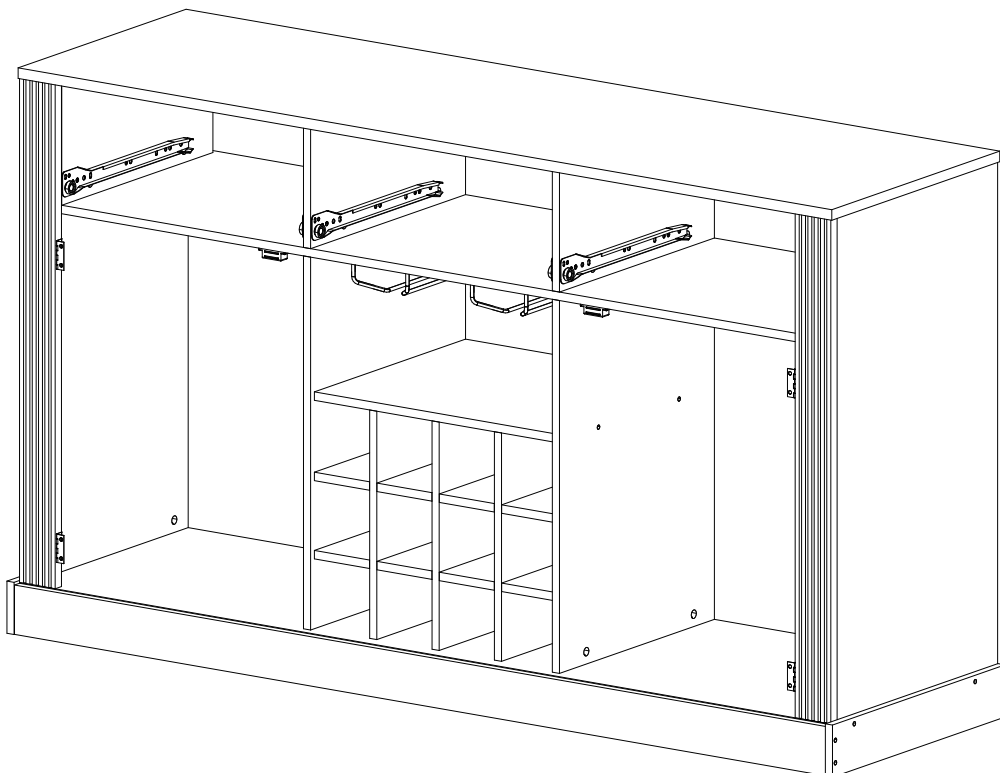
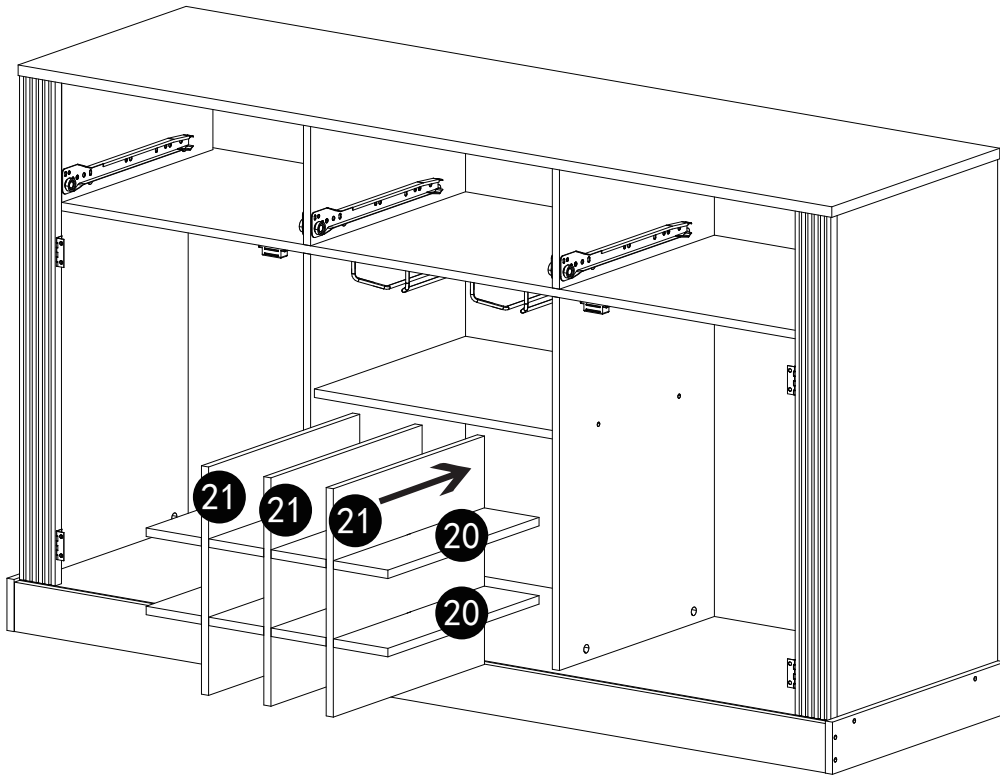


A		x8
B		x8

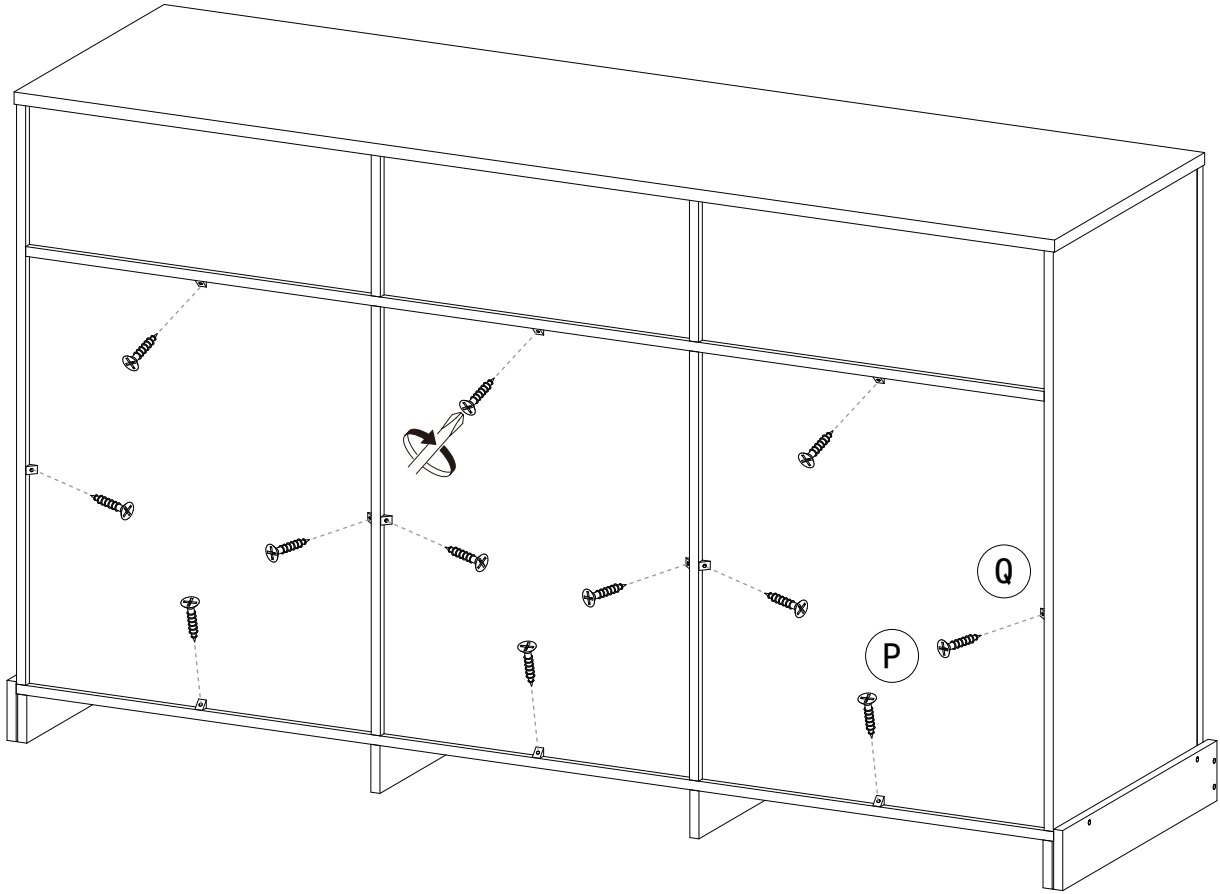
STEP 19





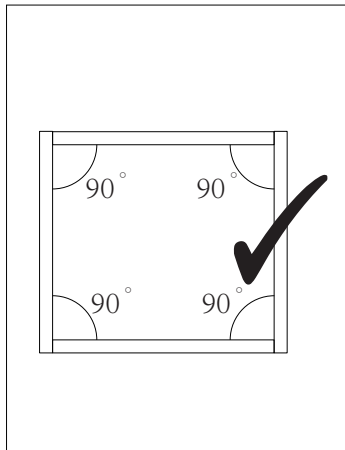
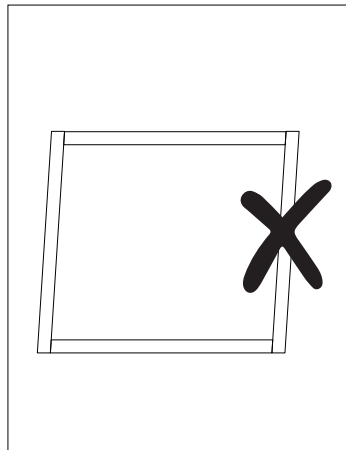
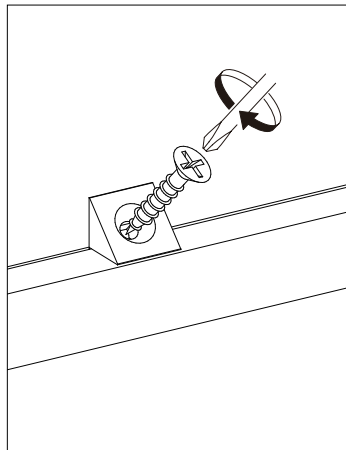
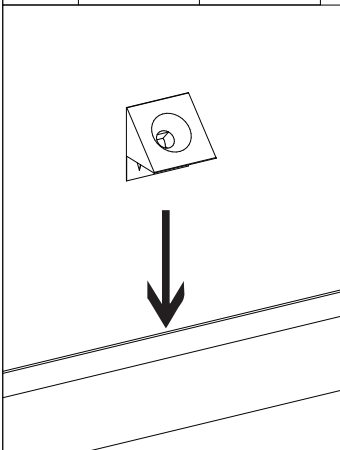
STEP 20



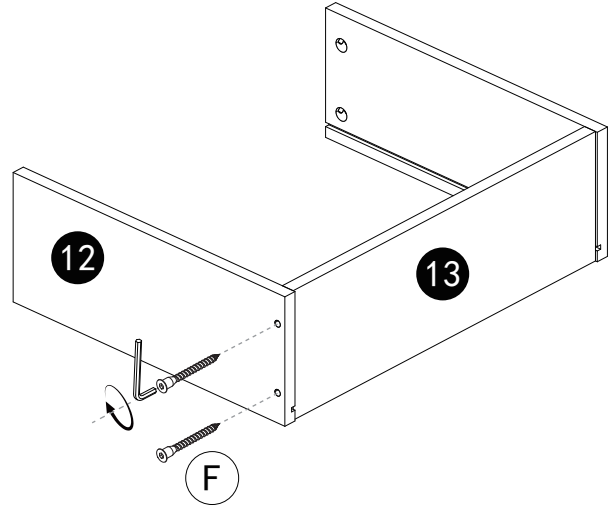
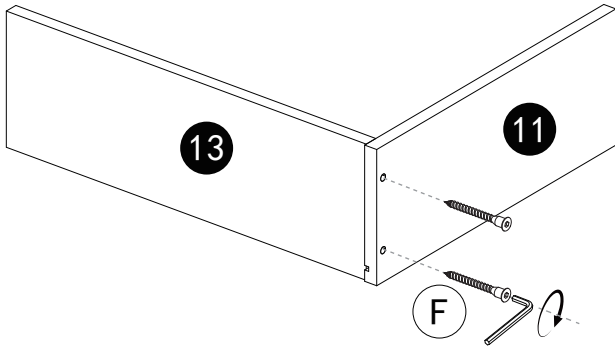
STEP 21



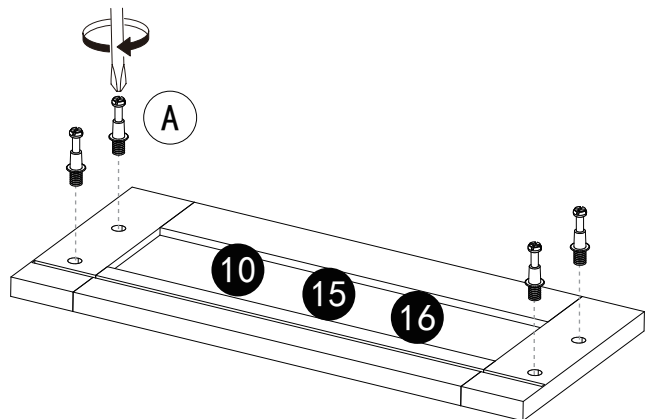
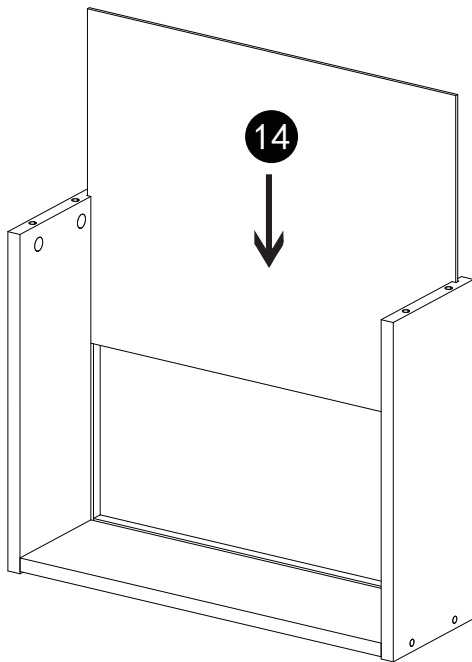
Q		x12
P		x12

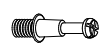



STEP 22



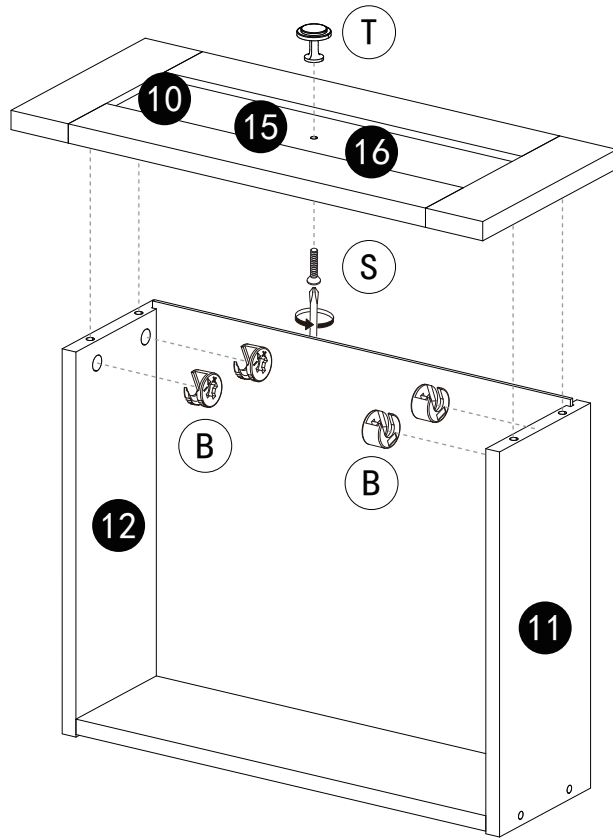
X3



A		x12
F		x12

STEP 23

X3

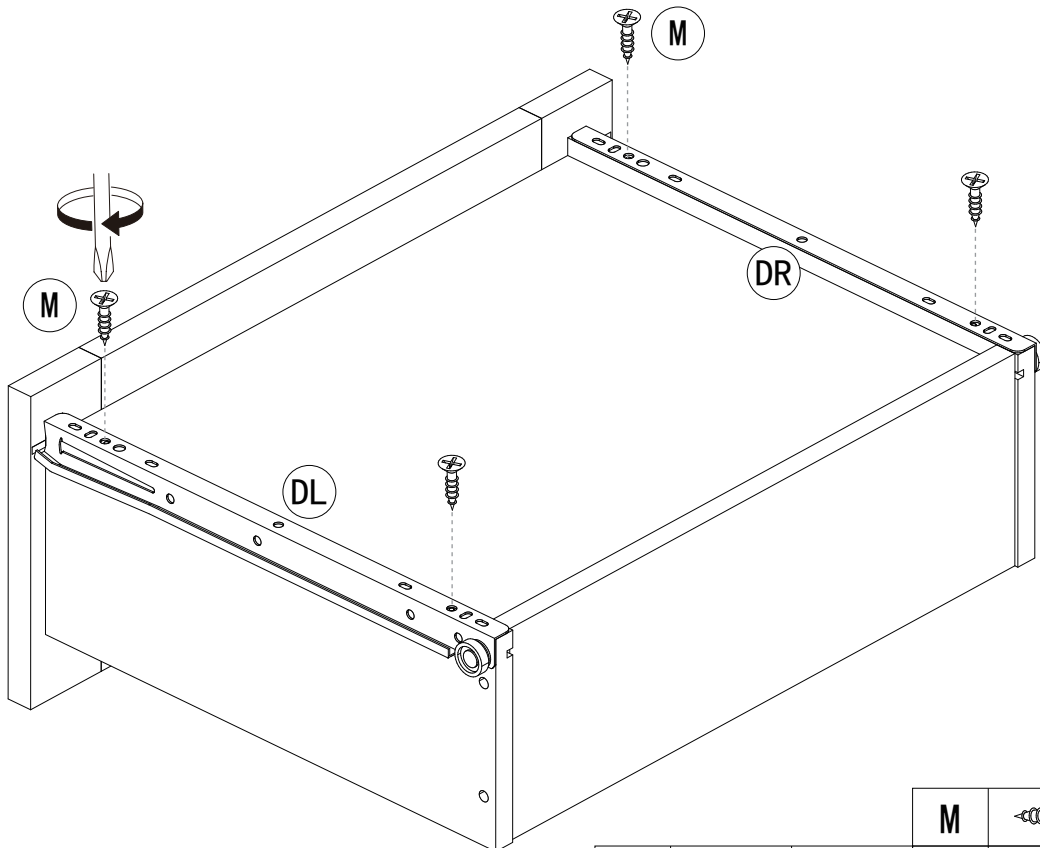


DL



DR

X3

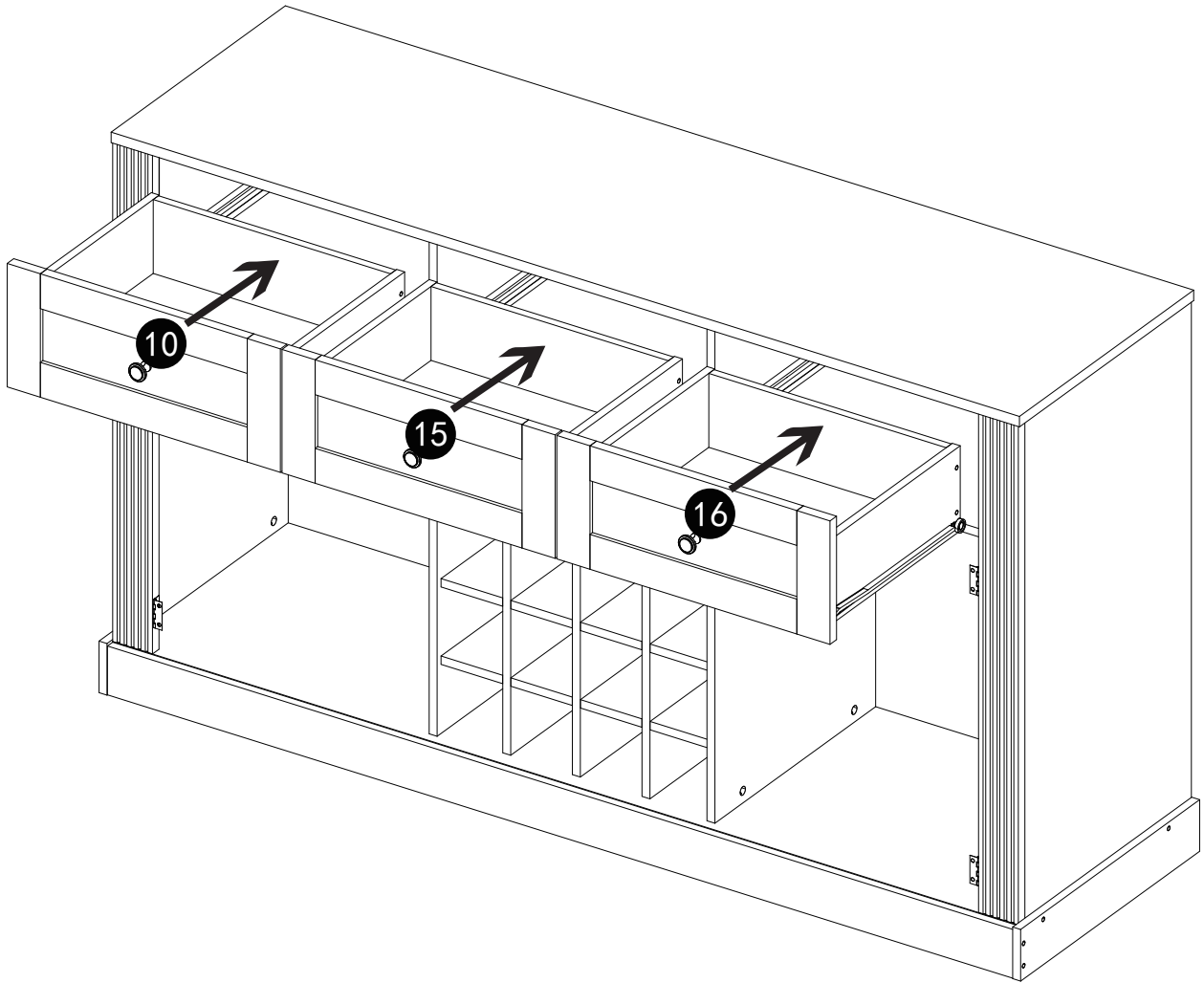
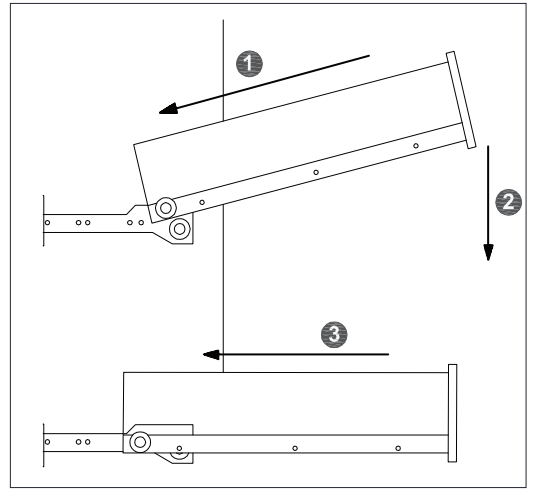
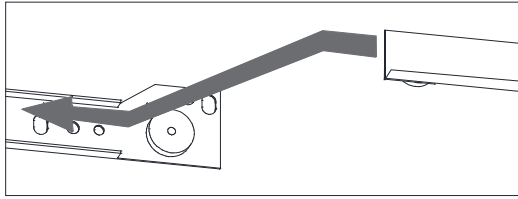


S		x3
---	--	----

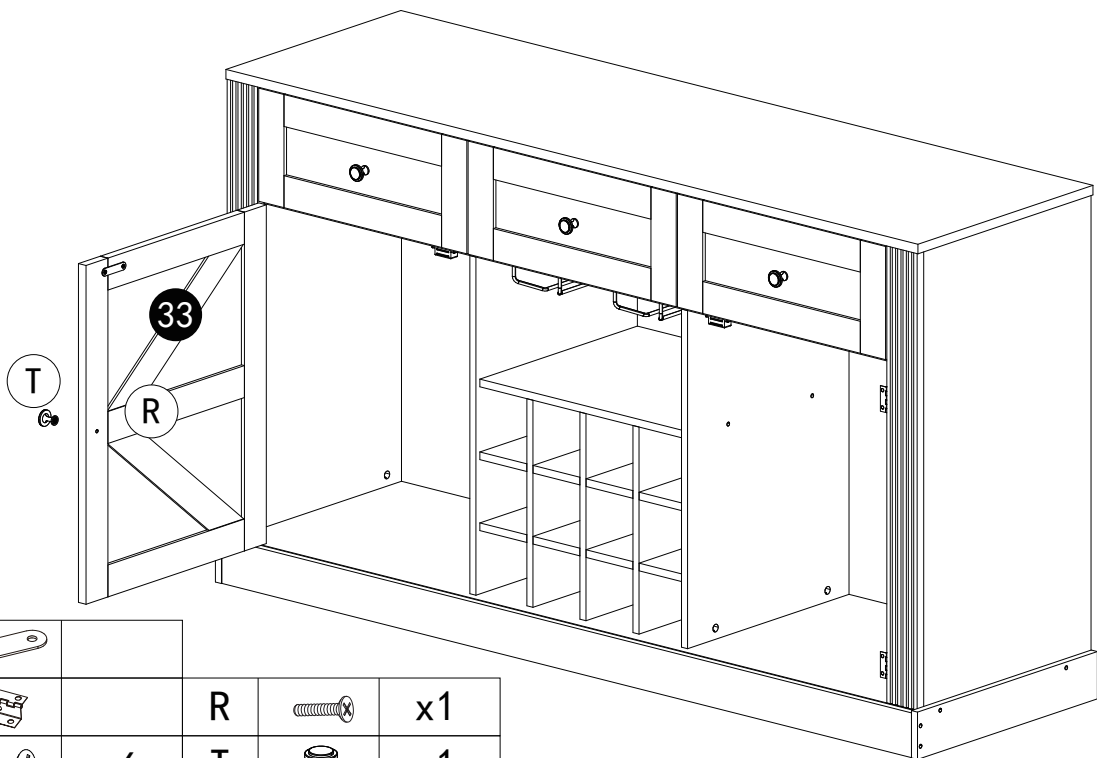
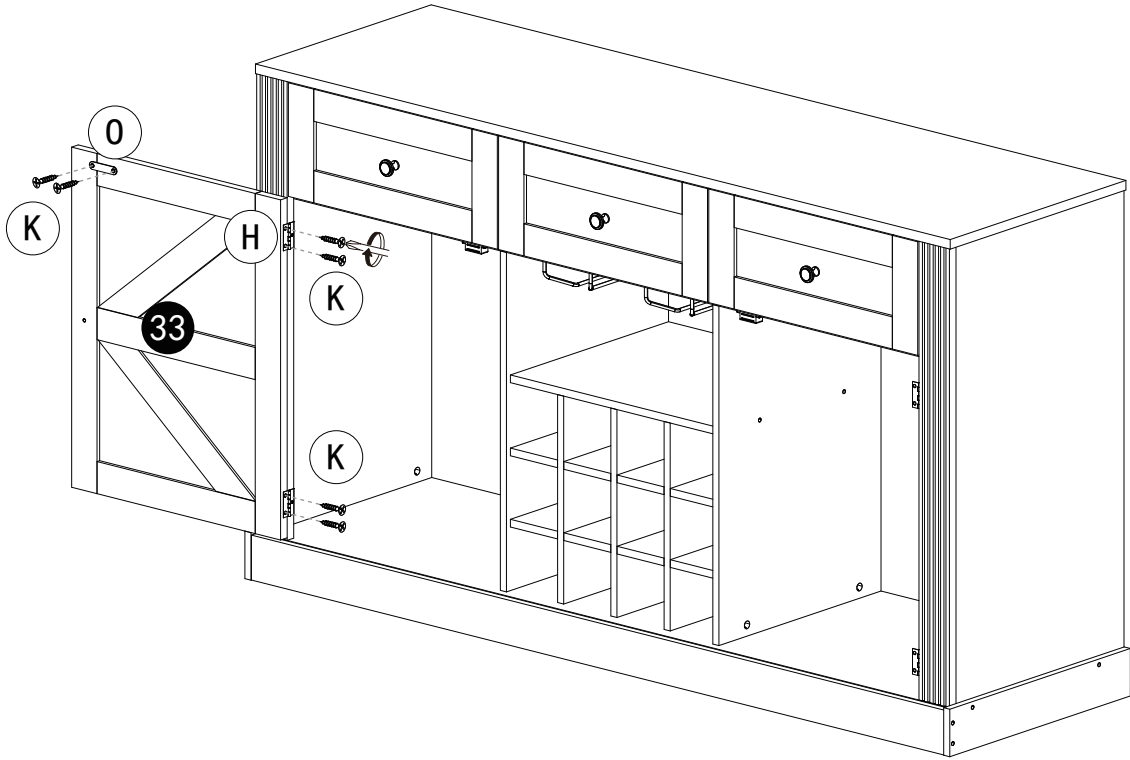
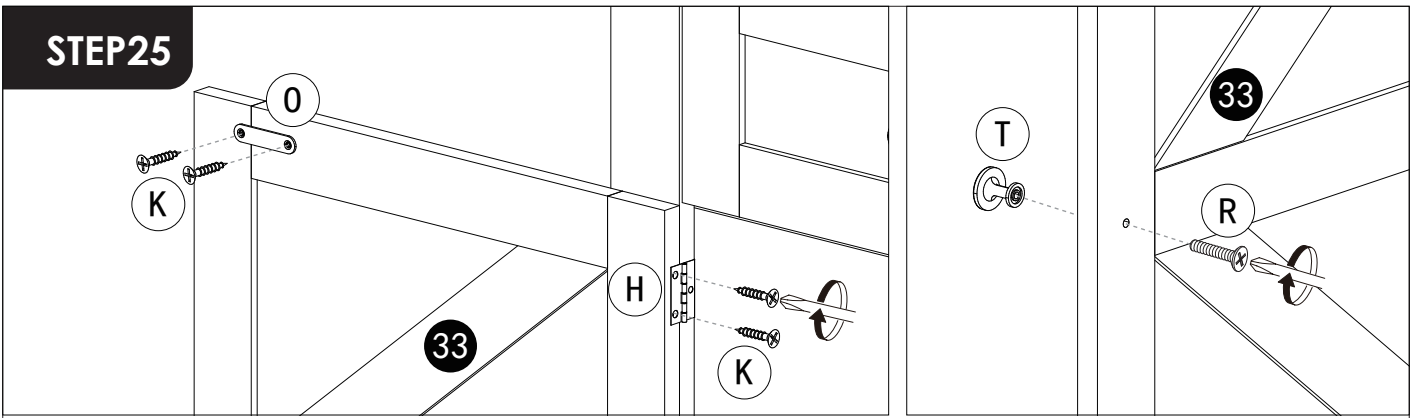
B		x12
T		x3

M		x12
DR		x3
DL		x3

STEP 24

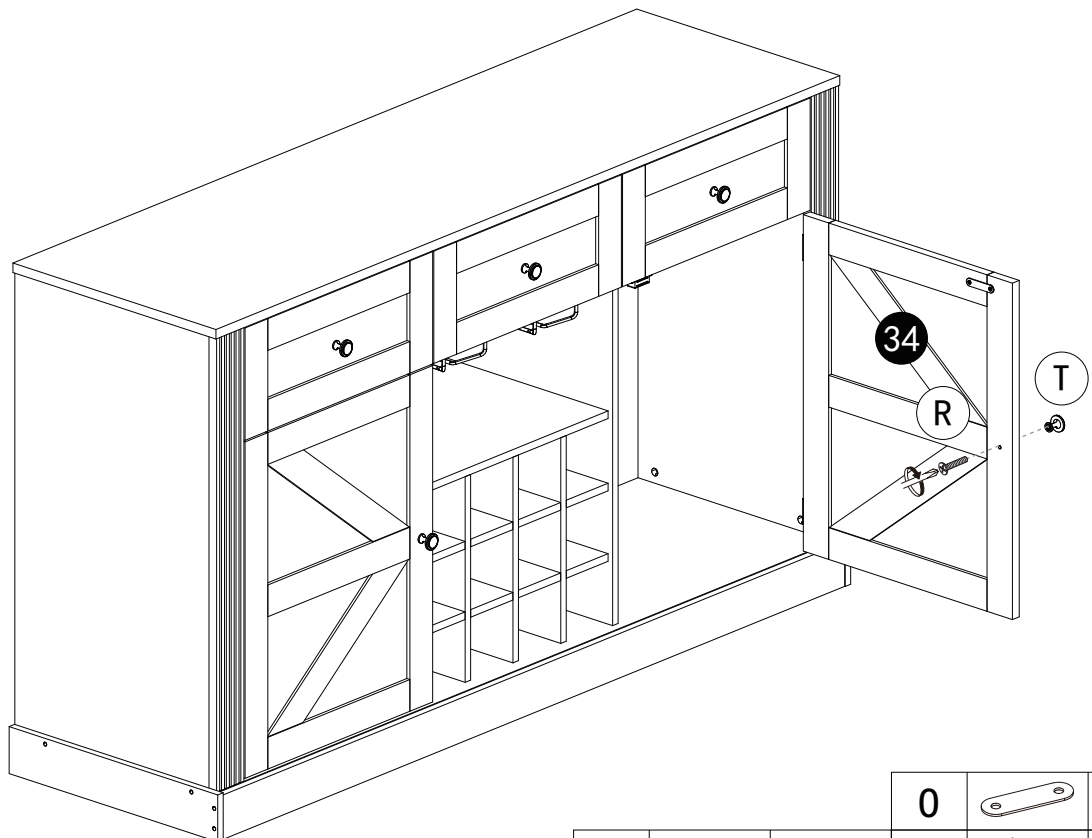
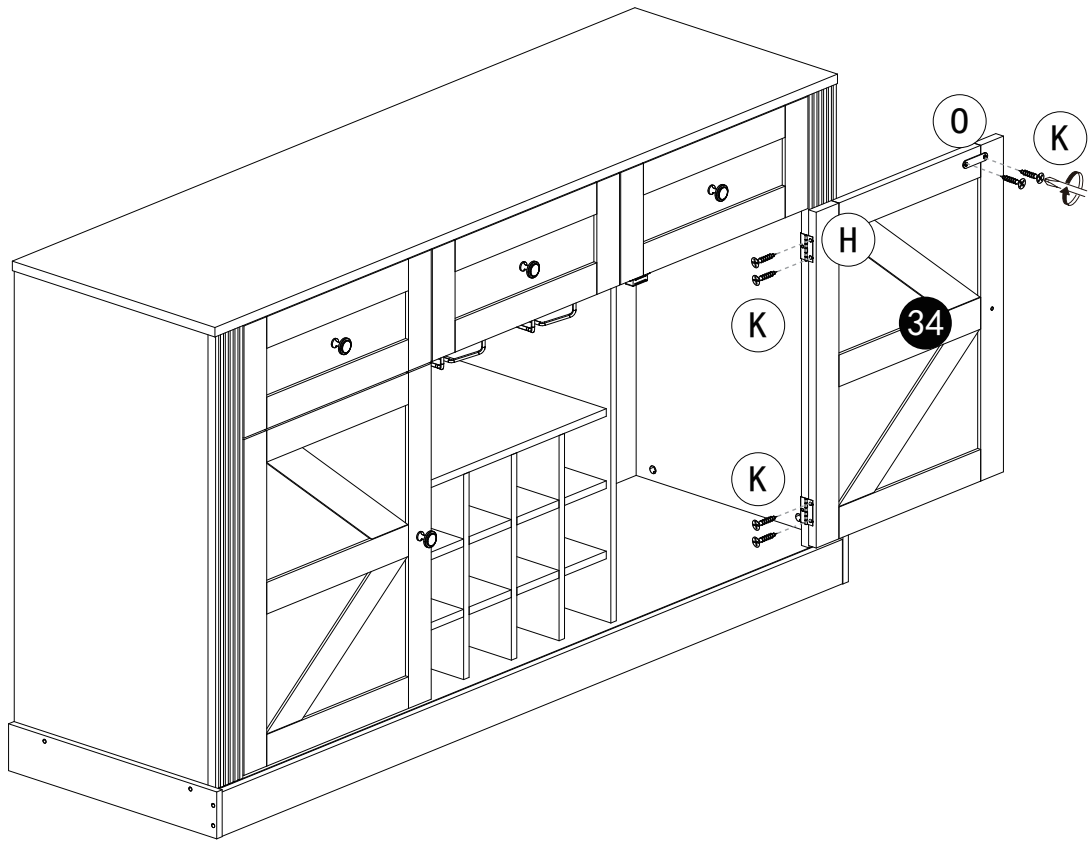


STEP 25



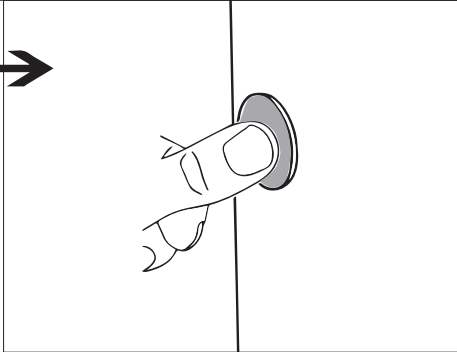
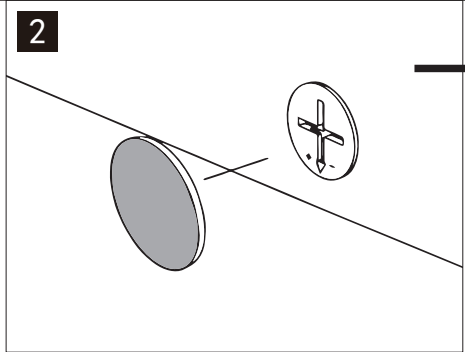
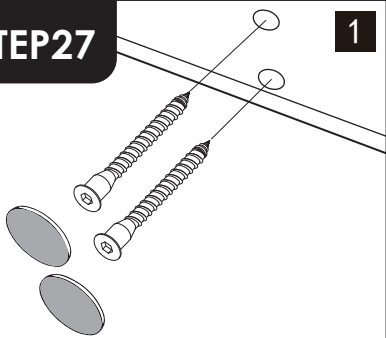
O					
H			R		x1
K		x6	T		x1

STEP 26

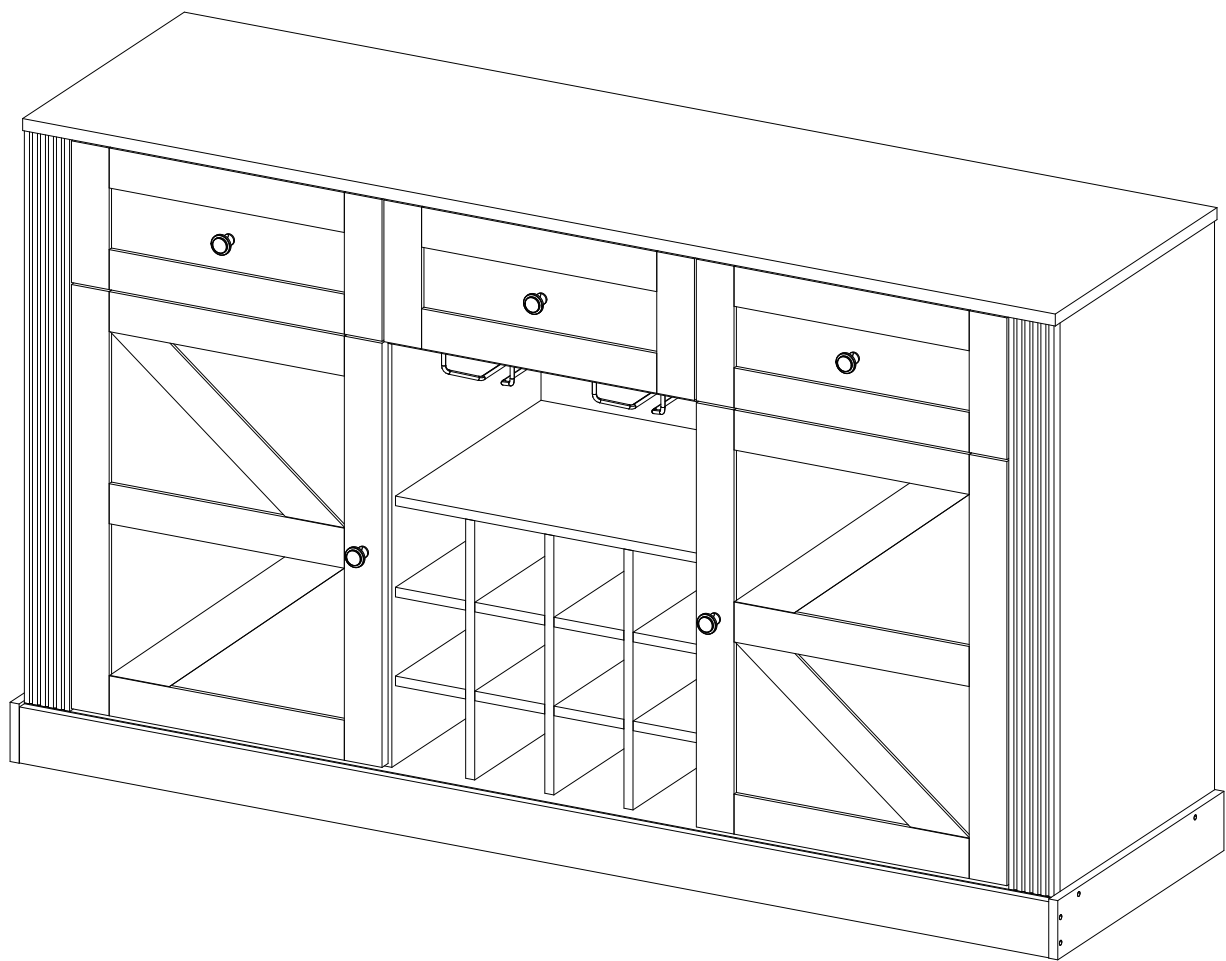


			0		
R		x1	H		
T		x1	K		x6

STEP27



Add L fittings to all exposed holes on the front of the product



L		x25
---	---	-----