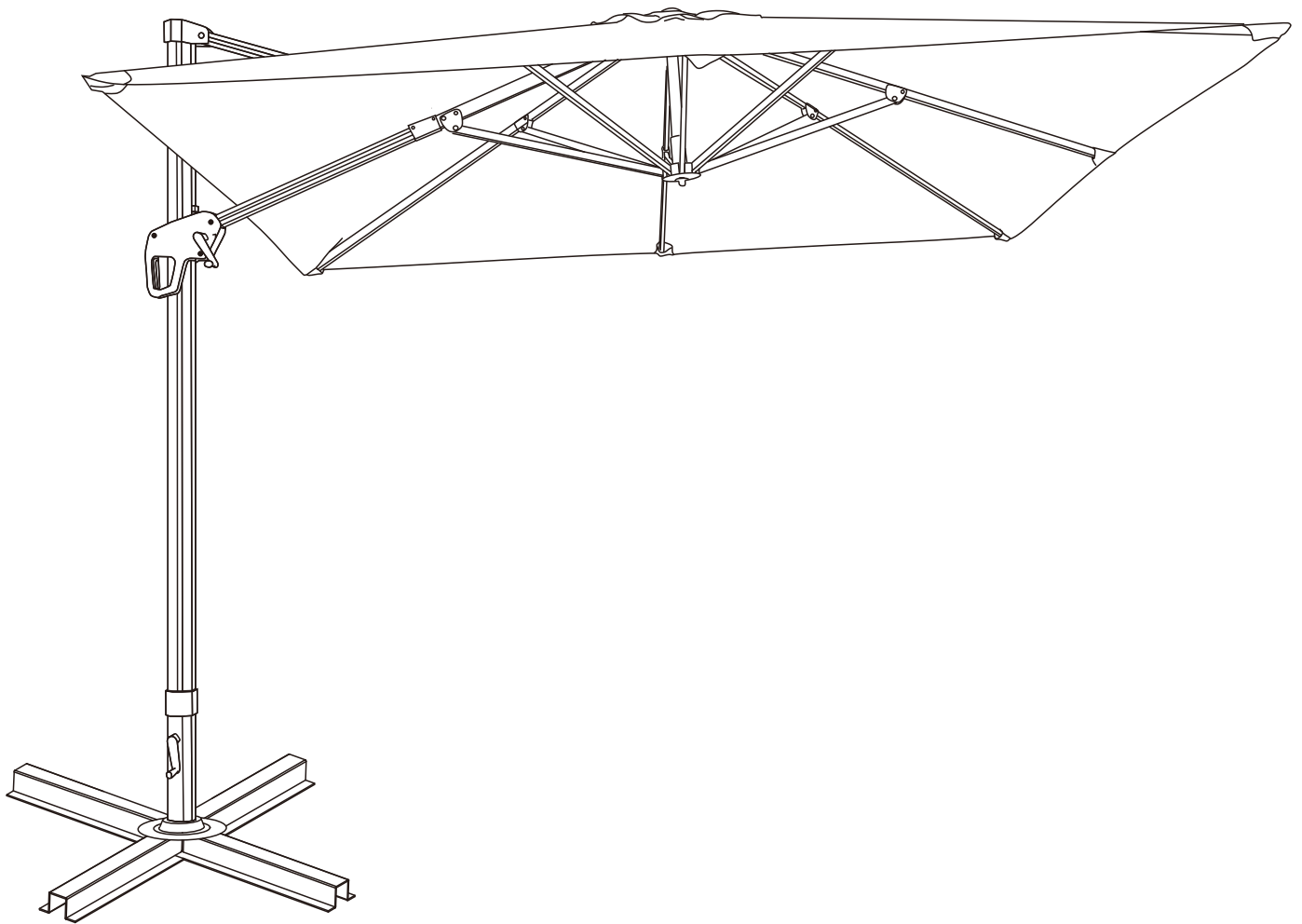

Patio Square & Rectangle Cantilever Umbrella with Cross Base



Tips: Weight base is not included in this item. Please buy it separately.

General Guidelines:

- Please read the following instructions carefully and use the product accordingly.
- Please keep this manual and hand it over when you transfer the product.
- This summary may not include every detail of all variations and considered steps.
- Please contact us for further information and assistance if needed.

Notes:

- Personal injury and/or damage to the product may occur if the products are used outside of their intended purposes and/or if the products have been changed/modified from their original design. The product must be assembled and used in accordance with the provisions of the manual. The seller does not assume any responsibility or liability with respect to any damage caused by incorrect assembly or improper use.
- Carefully check the accessories when opening the package. If anything is missing or damaged, please contact us immediately.
- This umbrella is only used for shading and decoration purposes.
- Store the umbrella in a dry, sheltered place, such as a garage or basement during high winds, rainy days, and the off-season.
- Never force your umbrella open. The umbrella mechanism should open gently and easily.
- Do not use sharp tools or equipment such as a knife or scissors when removing the protective material, as it may damage the product.
- Do not use the umbrella without an umbrella base (Not included).

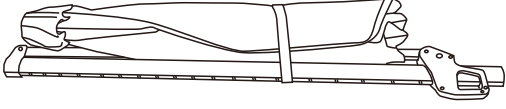
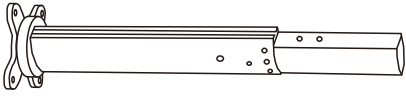
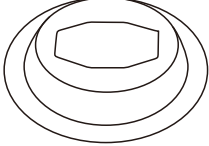

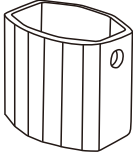

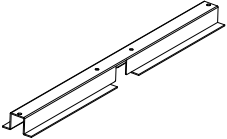
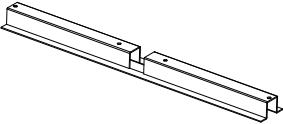
Warnings:

- Keep children away when assembling the product. Small parts are included in the package; they may be fatal if swallowed or inhaled.
- To avoid the potential dangers of suffocation, please keep all parts and packaging (film, plastic bags, foam, etc.) away from babies and children.
- Keep the umbrella away from fire; do not use it during extreme cold and heat, and severe weather conditions like rainy, windy, snowy days, and hailstorms, etc.

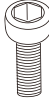



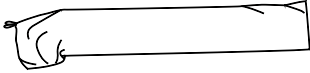
Daily Maintenance:

- Clean the canopy with a soft cloth moistened with a neutral detergent.
- Store it after completely drying, which will help reduce the growth of mold.
- Do not machine wash, do not dry.
- Do not iron.

Package Contents

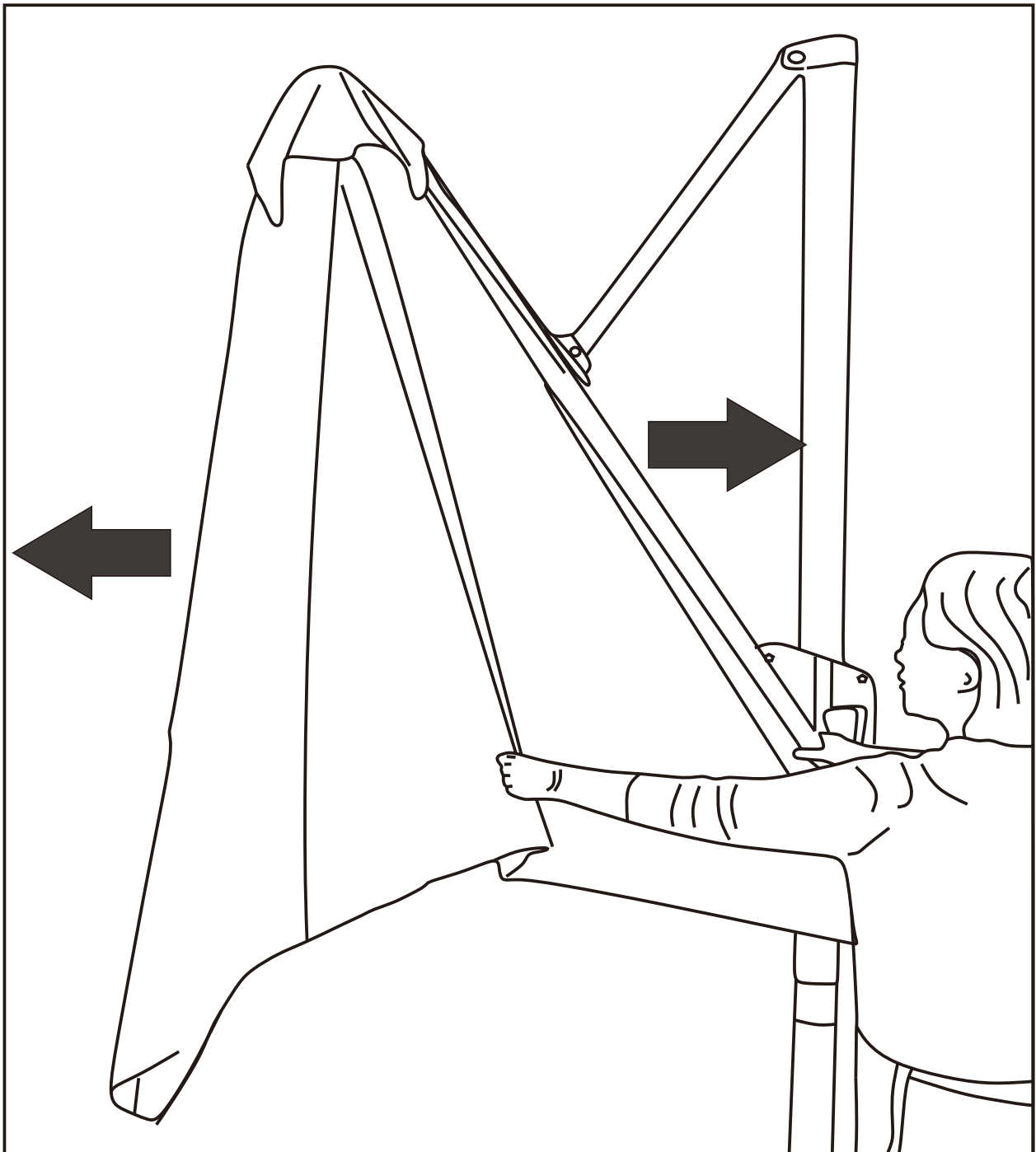
Part	Picture	Description	Quantity
A		Main Umbrella	1
B		Base Pole	1
C		Small Plastic Cover	1
D		Big Plastic Cover	1
E		Plastic Connector	1
F		Crank Handle	2
G1		Upper Cross Leg	1
G2		Lower Cross Leg	1

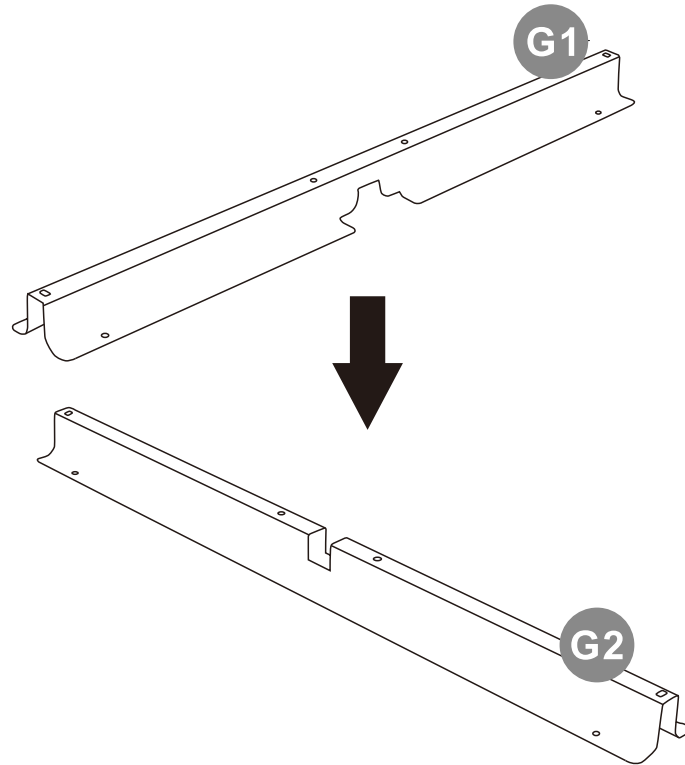
Package Contents

Part	Picture	Description	Quantity
H		Bolt (M8 x 0.63IN)	2
I		Bolt (M8 x 0.78IN)	4
J		Washer	4
K		Allen Wrench	1
L		Umbrella Cover	1

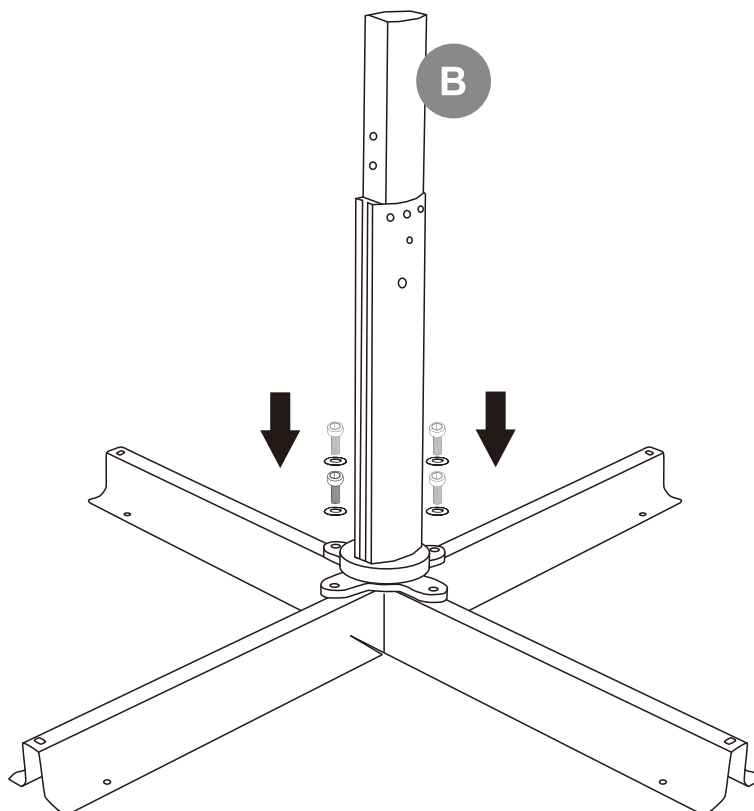
CAUTION



Please pull and loosen the umbrella ribs by hand, so they're not entangled, before attempting to open the umbrella by crank.





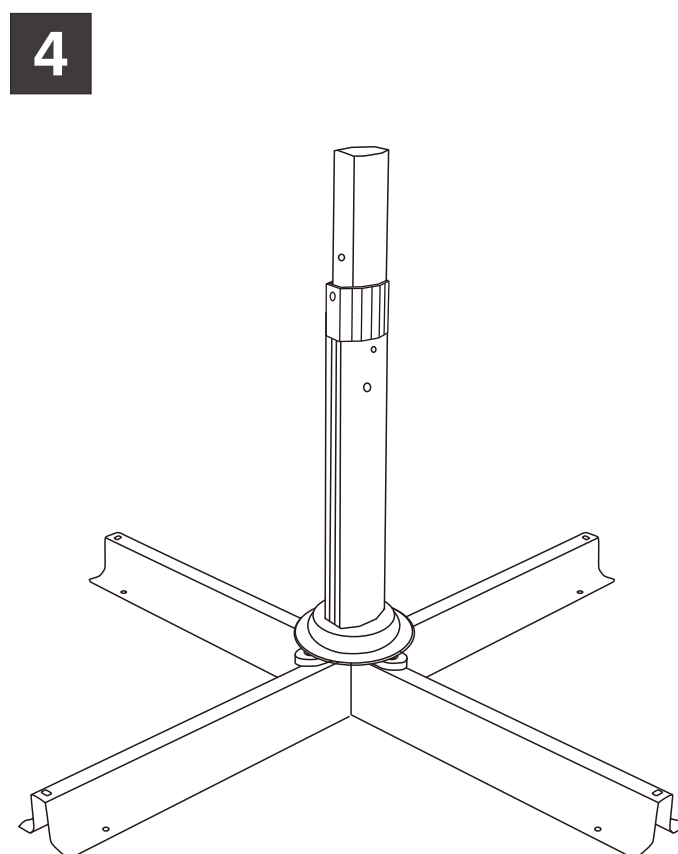
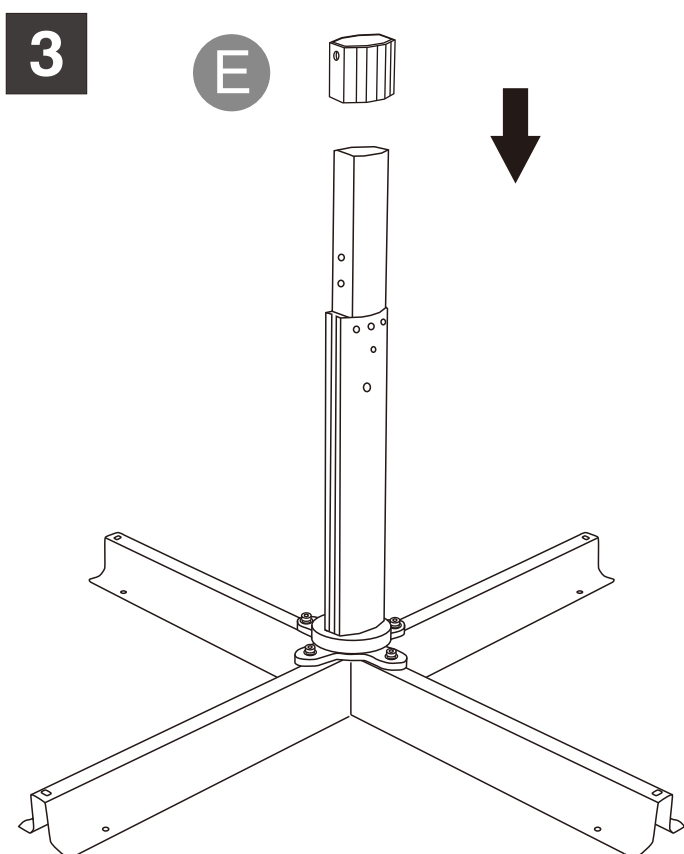
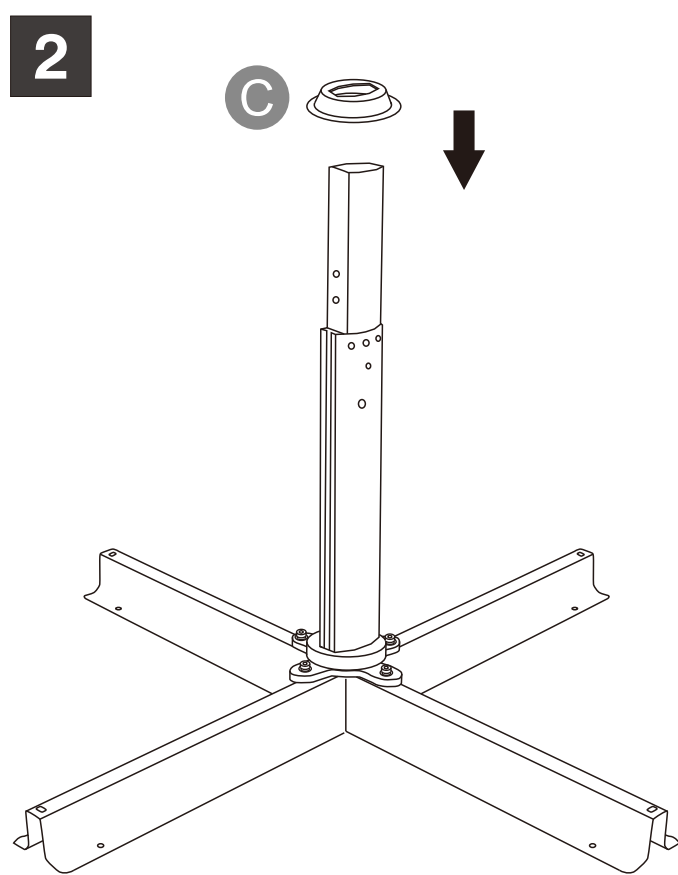
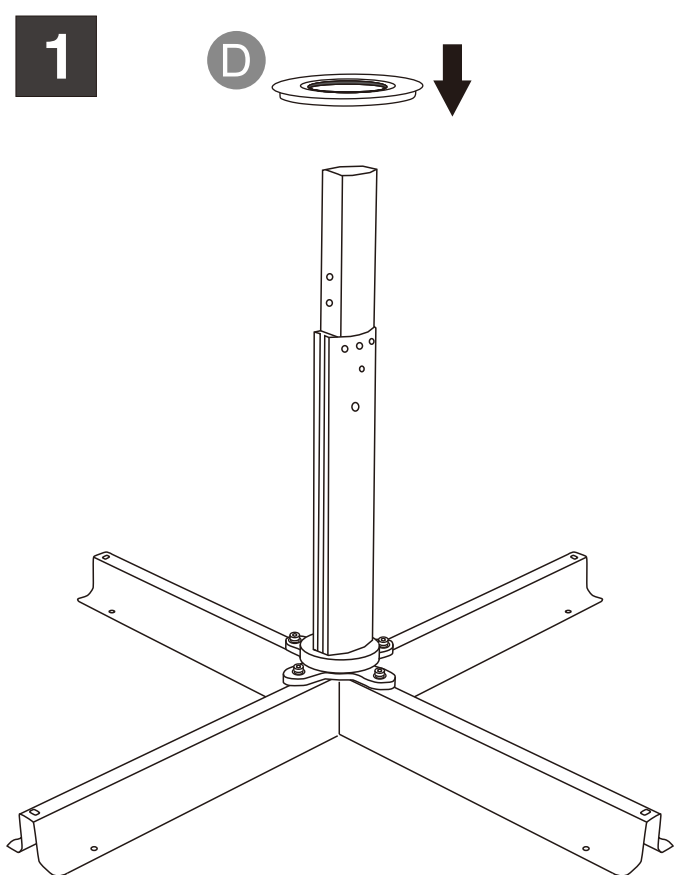
Step 1: Place Lower Cross Leg (G2) on the ground, line up notches and place Upper Cross Leg (G1) over the Lower Cross Leg (G2) .



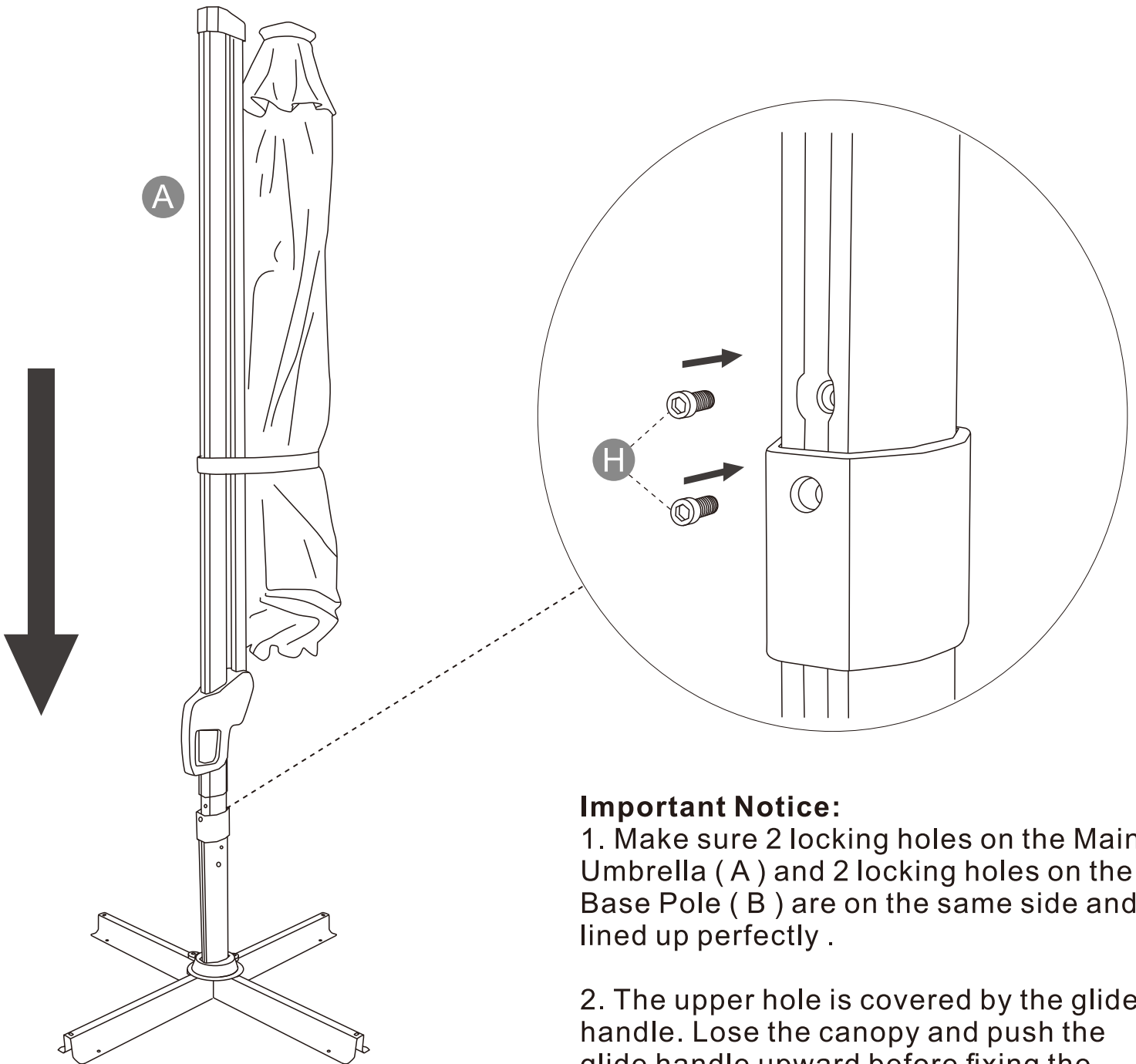
I		4PCS
J		4PCS

Step 2: Attach the Base Pole (B) to the cross base by using Bolts (I) and Washers (J). Hand tighten only. Adjust the base pole to be sure it is positioned on the cross base. Finally tighten all bolts. Be careful not to over tighten .

Step 3: Place Plastic Cover (D & C) on to the Base Pole (B).
Make sure the Connector (E) is firmly connected with the mid of the Base Pole (B). Attention: Keep the side with the hole upward .



Step 4: Place the Main Umbrella (A) on top of the Base Pole (B) and secure them with 2 bolts (H) .

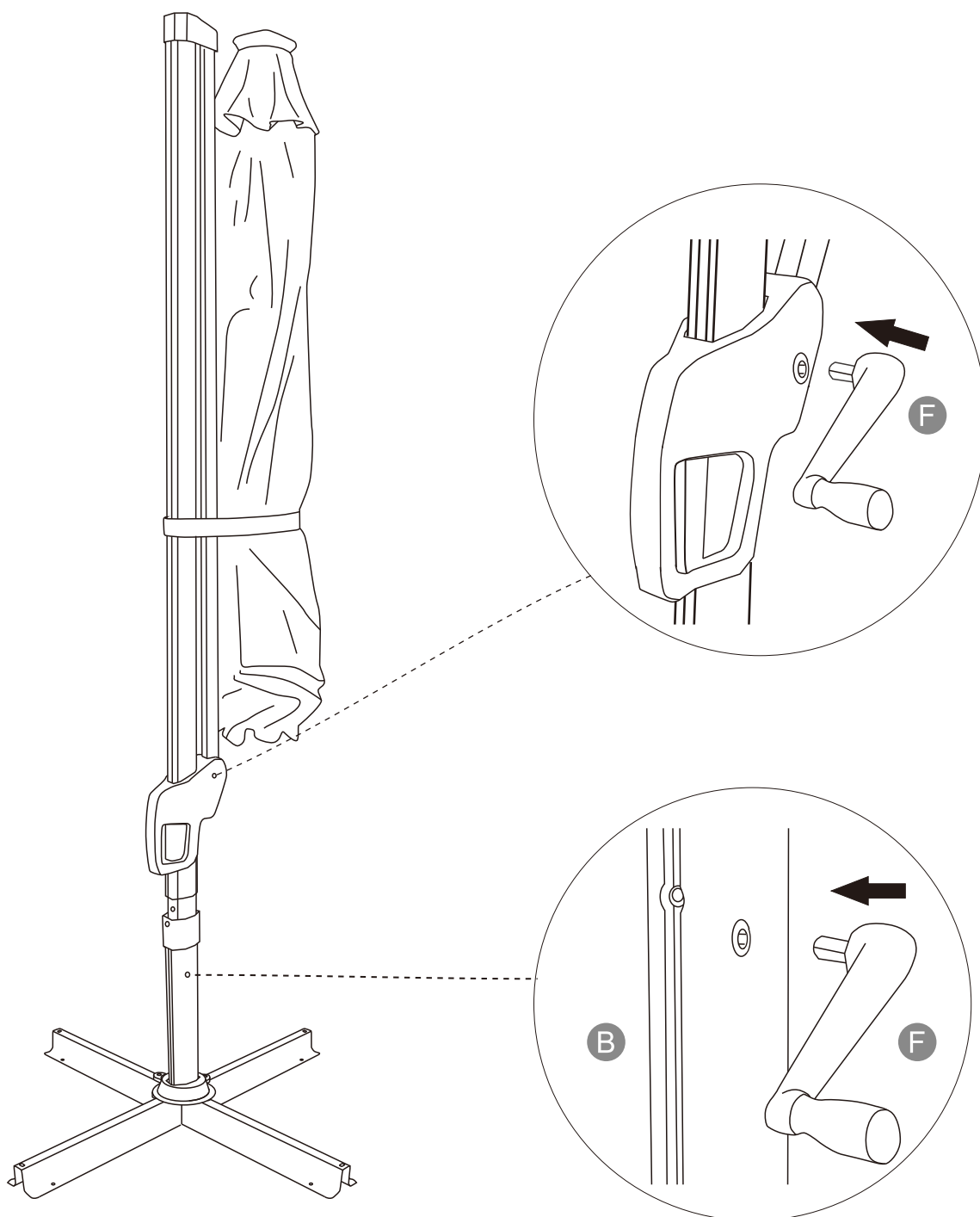


Important Notice:

1. Make sure 2 locking holes on the Main Umbrella (A) and 2 locking holes on the Base Pole (B) are on the same side and lined up perfectly .

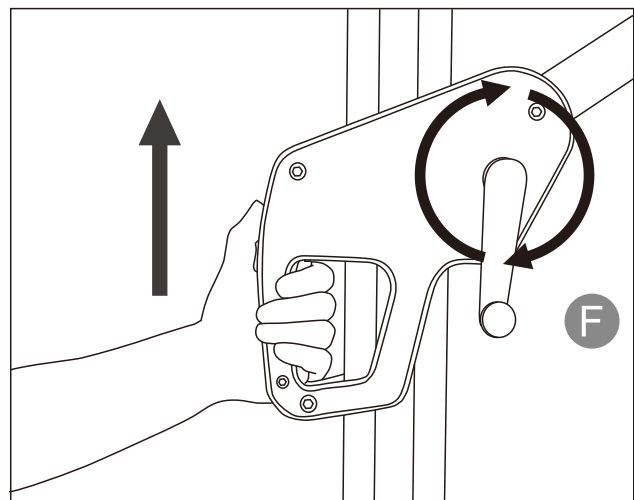
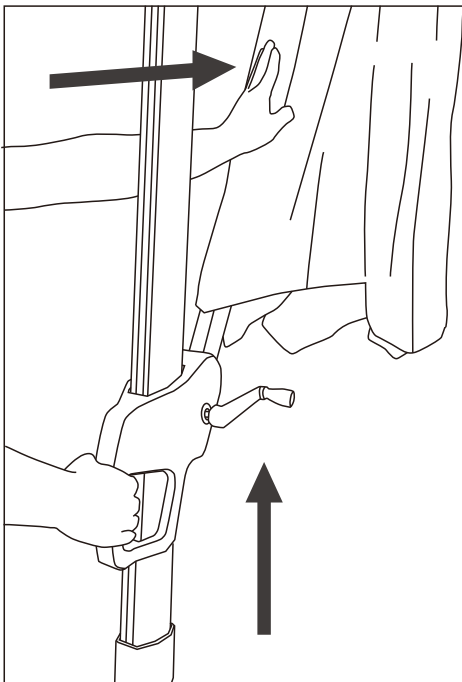
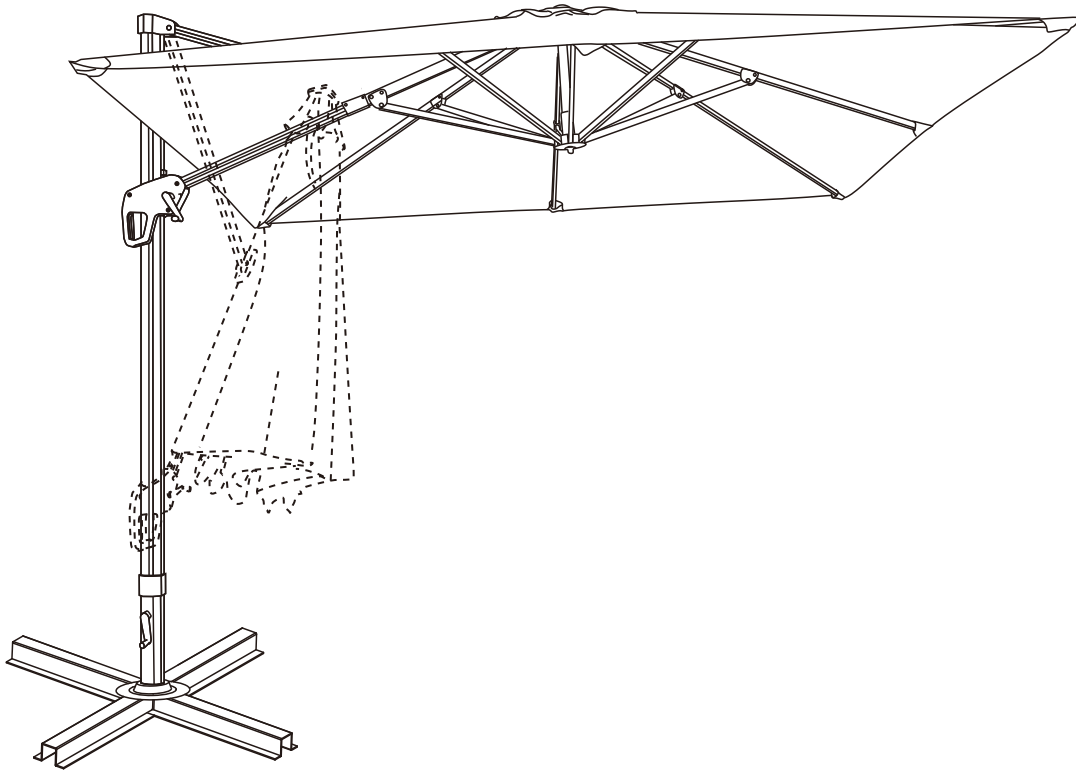
2. The upper hole is covered by the glide handle. Lose the canopy and push the glide handle upward before fixing the upper bolt (H) .

Step 5: Insert 2 Crank Handles (F) into the square holes on the glide handle and Base Pole (B) .



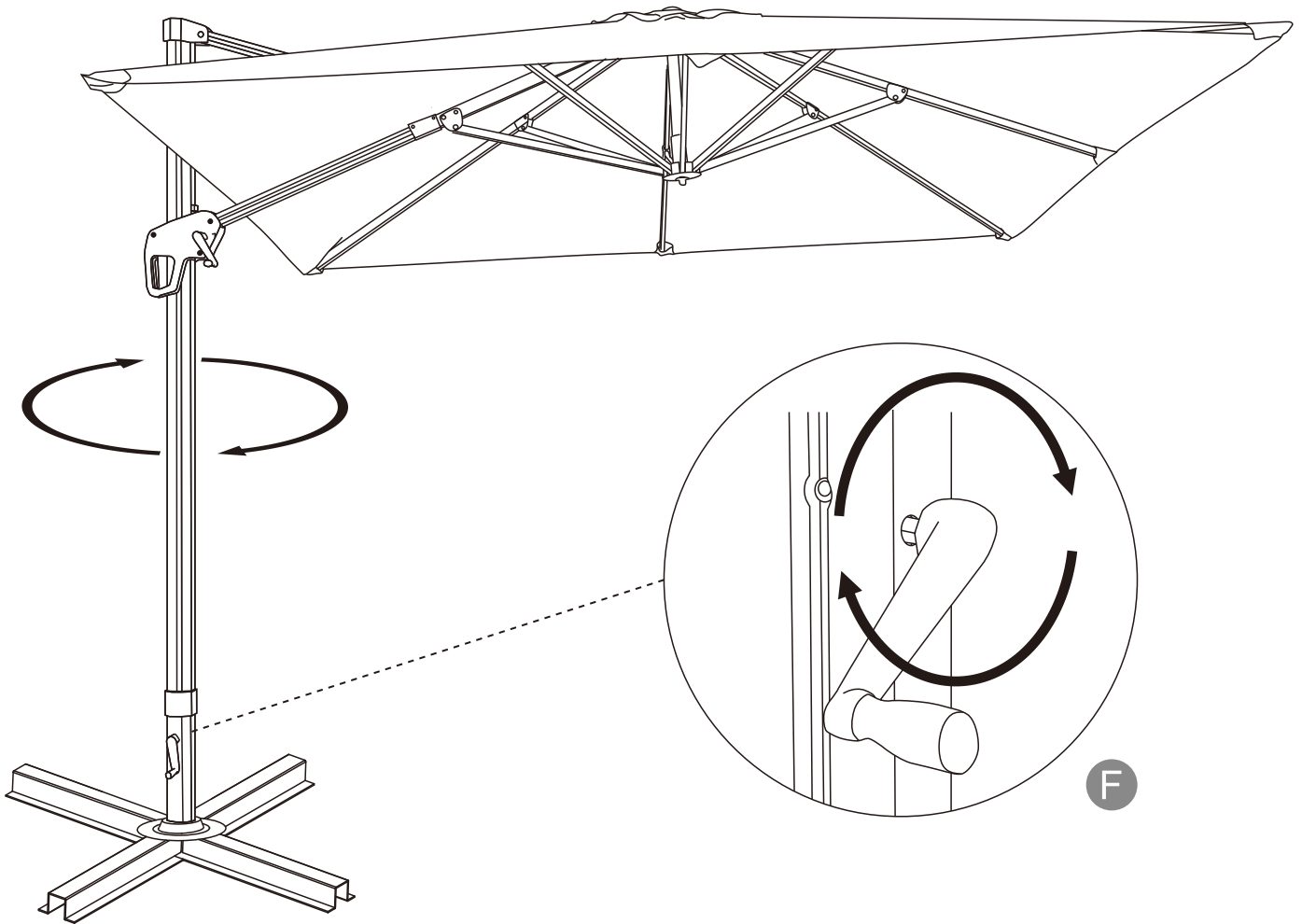
Attention: The weight base is not included with this product. Please purchase it separately. It is strongly recommended to use a weight base with a minimum weight of 220 pounds .

Step 6: To open the umbrella, squeeze the trigger and slide the glide handle up to a comfortable position, then release the trigger to lock into place. Turn the Crank Handle (F) clockwise to fully open the canopy as pictured. Slide the glide handle up or down to achieve the desired tilting angle. Umbrella can be closed with the opposite operation.

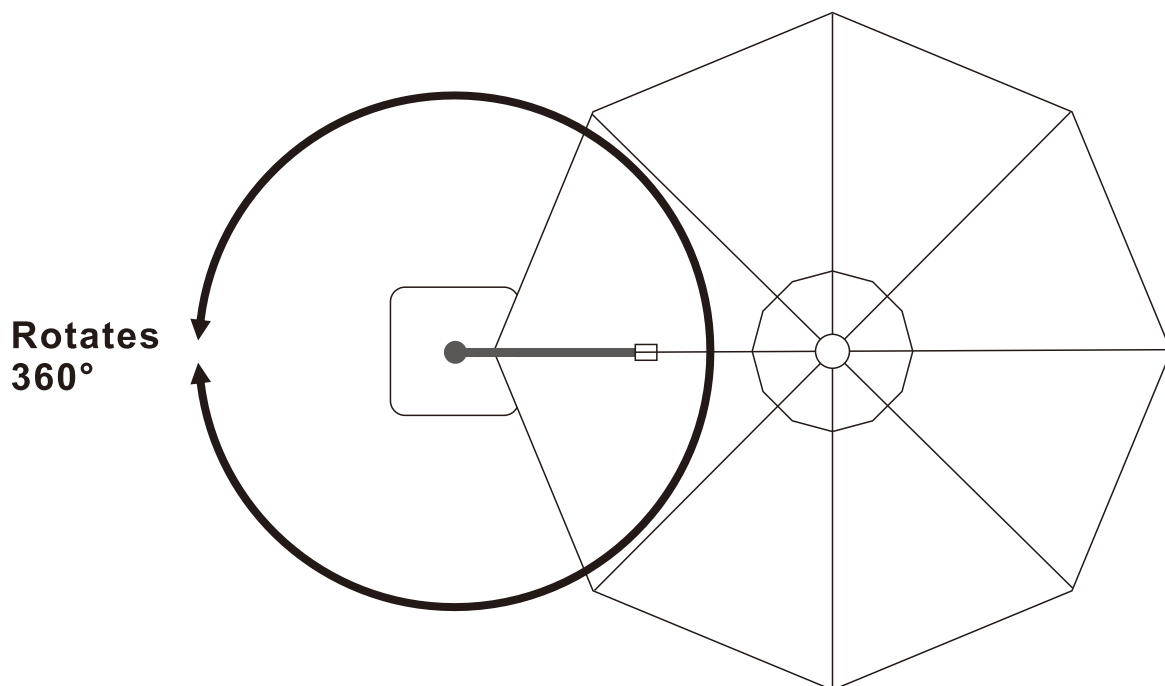


Caution: Push the canopy somewhat by hand as pictured when feeling resistance to slide up the glide handle .

Step 7: Rotate the canopy with the Crank Handle (F) on the Base Pole (B) .



Canopy position adjusting



Tips: The multi-position canopy can rotate 360° around the axis of the main pole to offer the shade on your expected area around the umbrella.

Step 8: When in winter or not in use, place the Umbrella Cover (L) over the umbrella for storage .

