

OXFORD LINEN DINING CHAIR

Product Instructions

Product No. 4000653 / 4000661

vonhaus

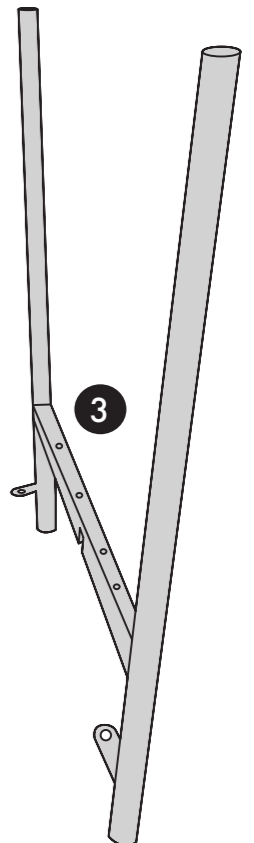
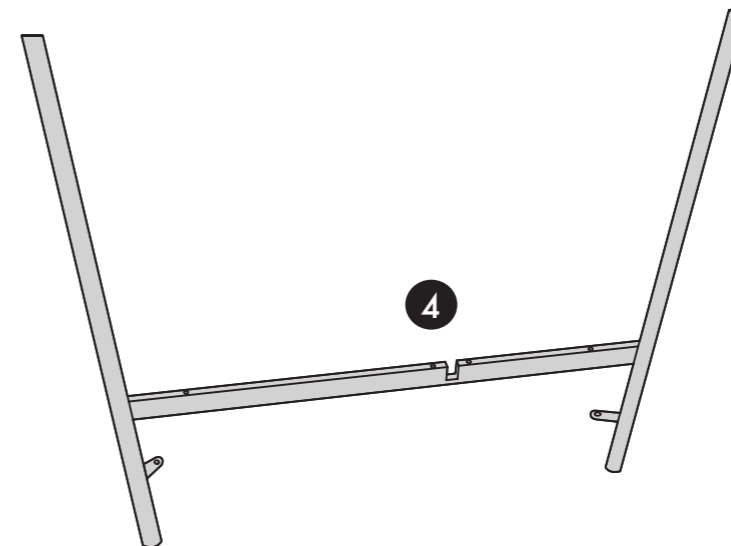
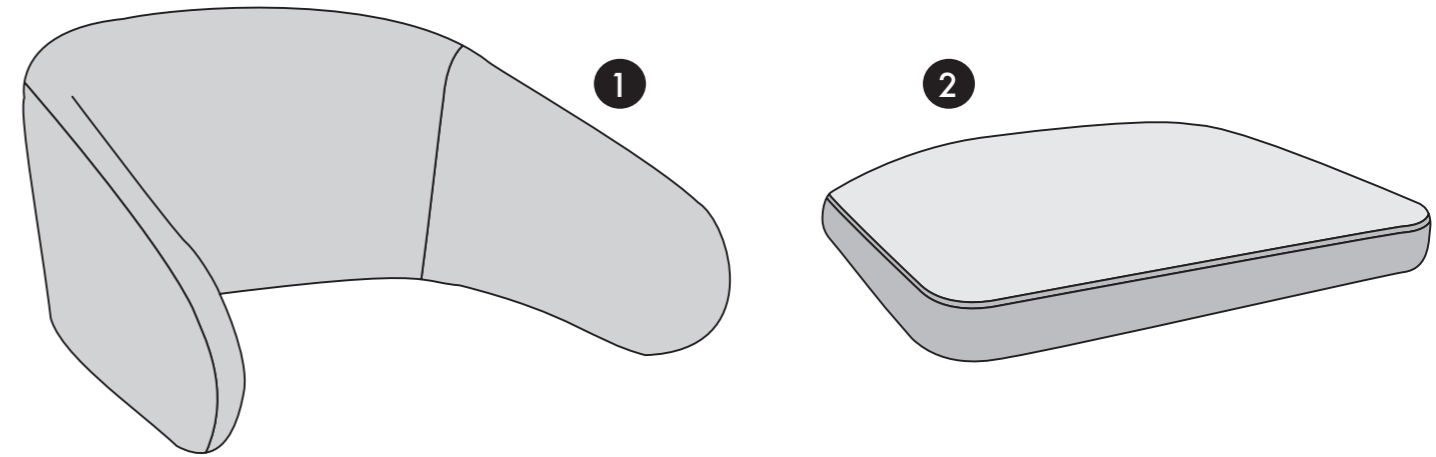
Let's get started!

Visit our product hub for useful tips and tricks on getting the most out of your new product.

SCAN ME



Product Diagram



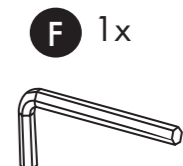
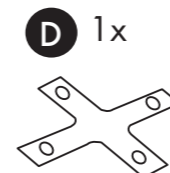
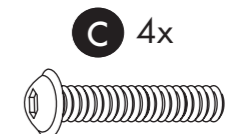
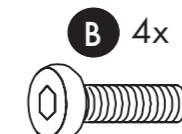
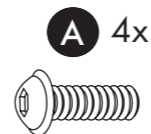
120 kg



30 min

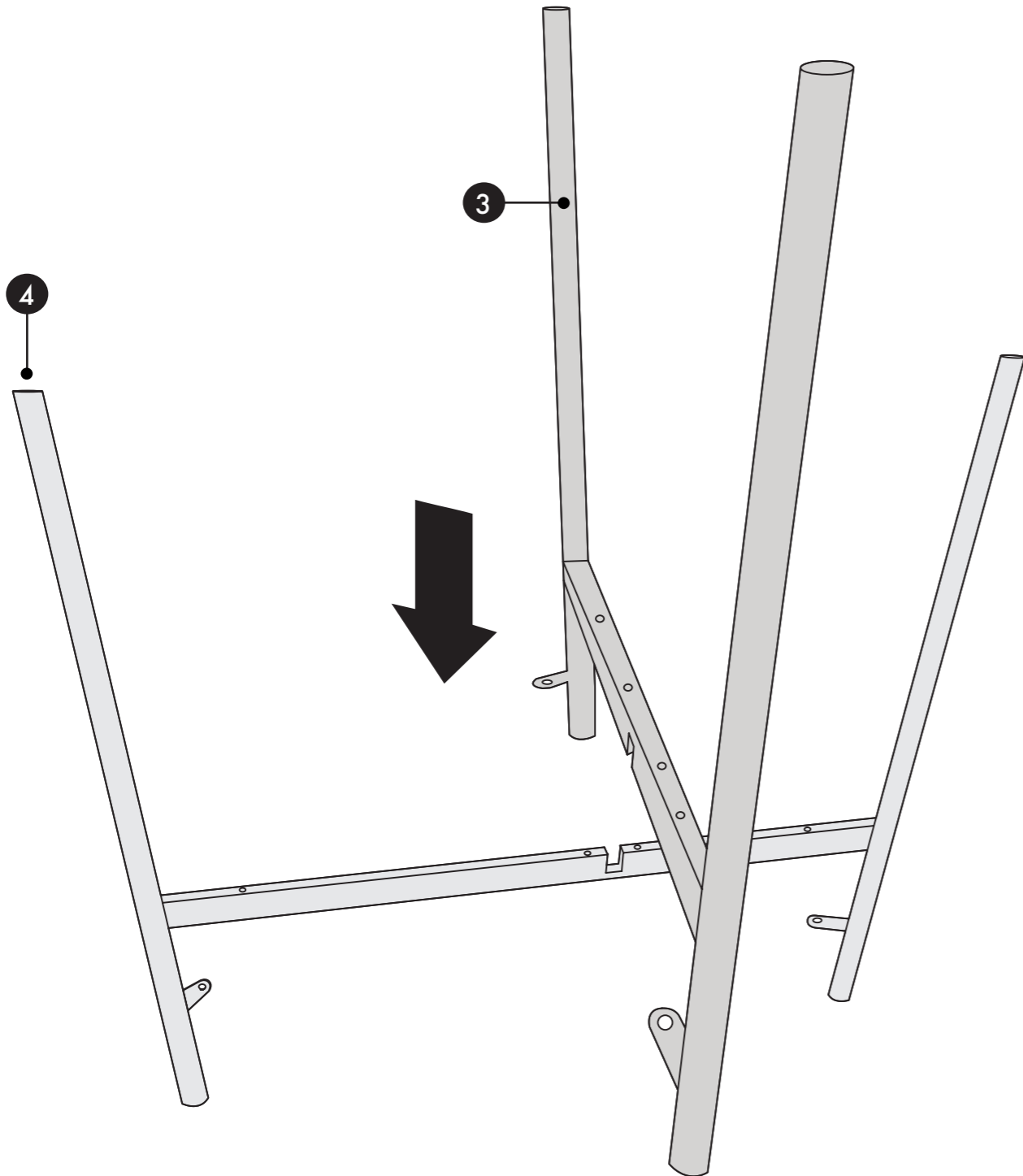
Need further help?
support@vonhaus.com

See our full range at
www.vonhaus.com



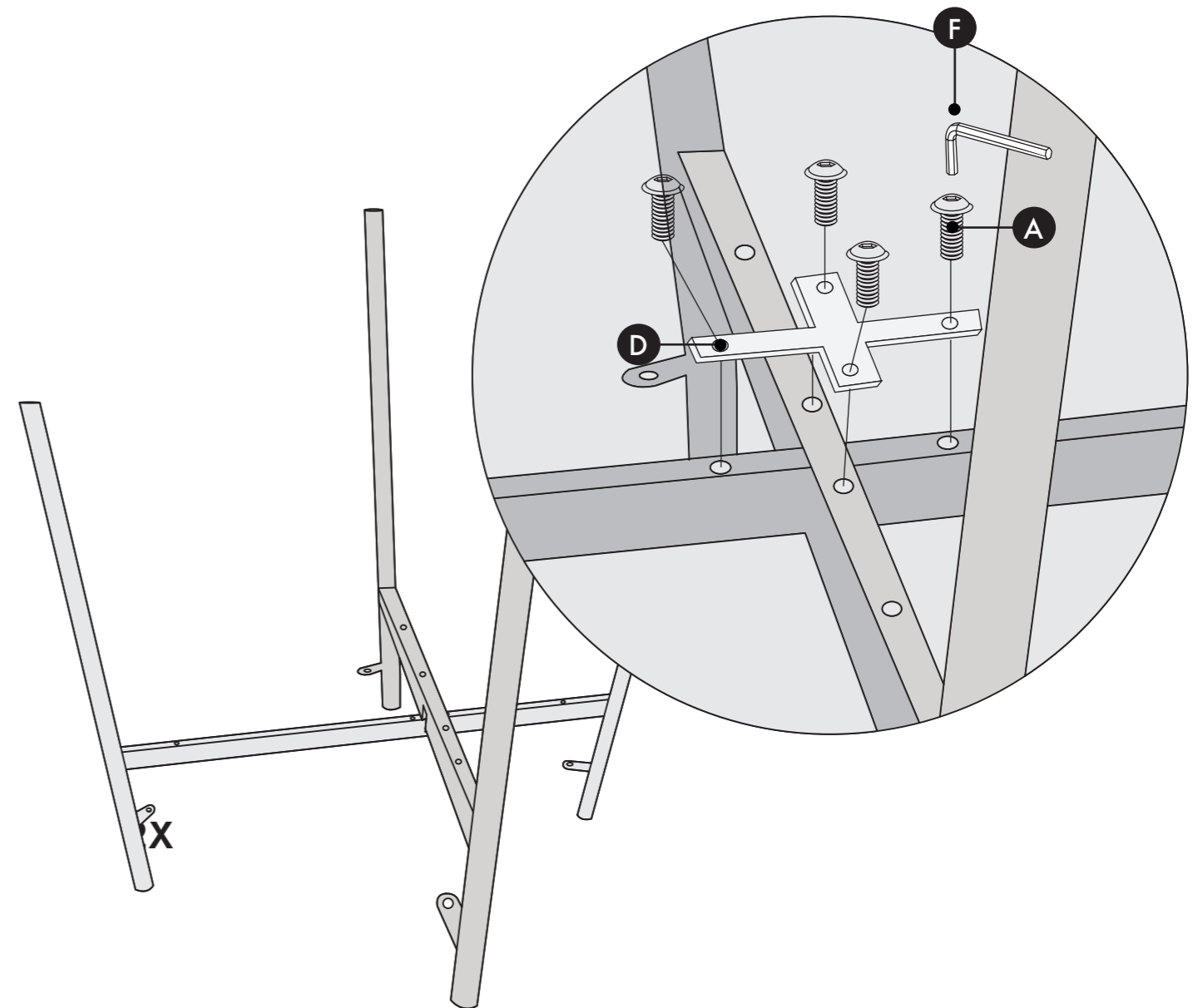
Assembly

1



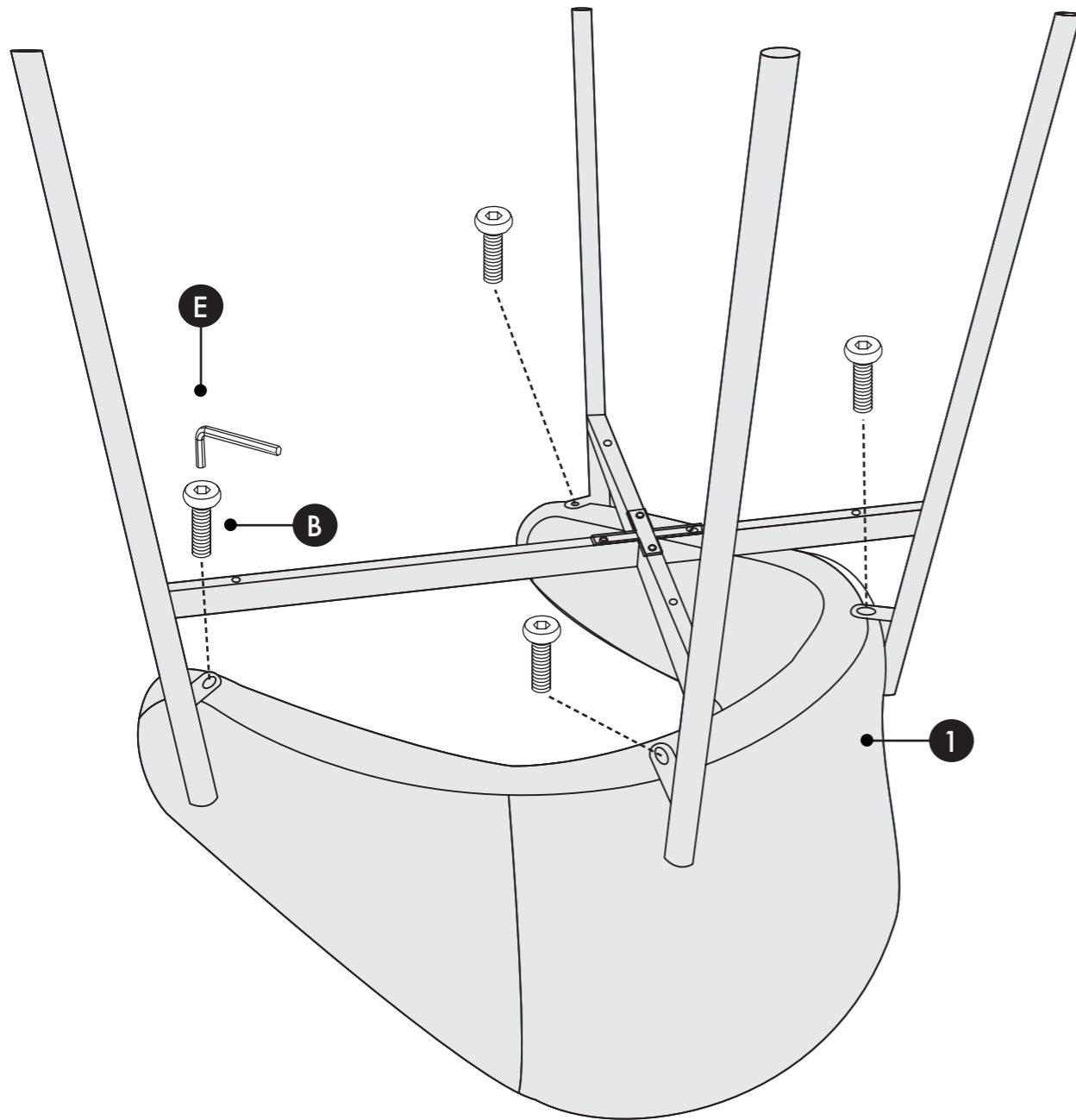
Assembly

2



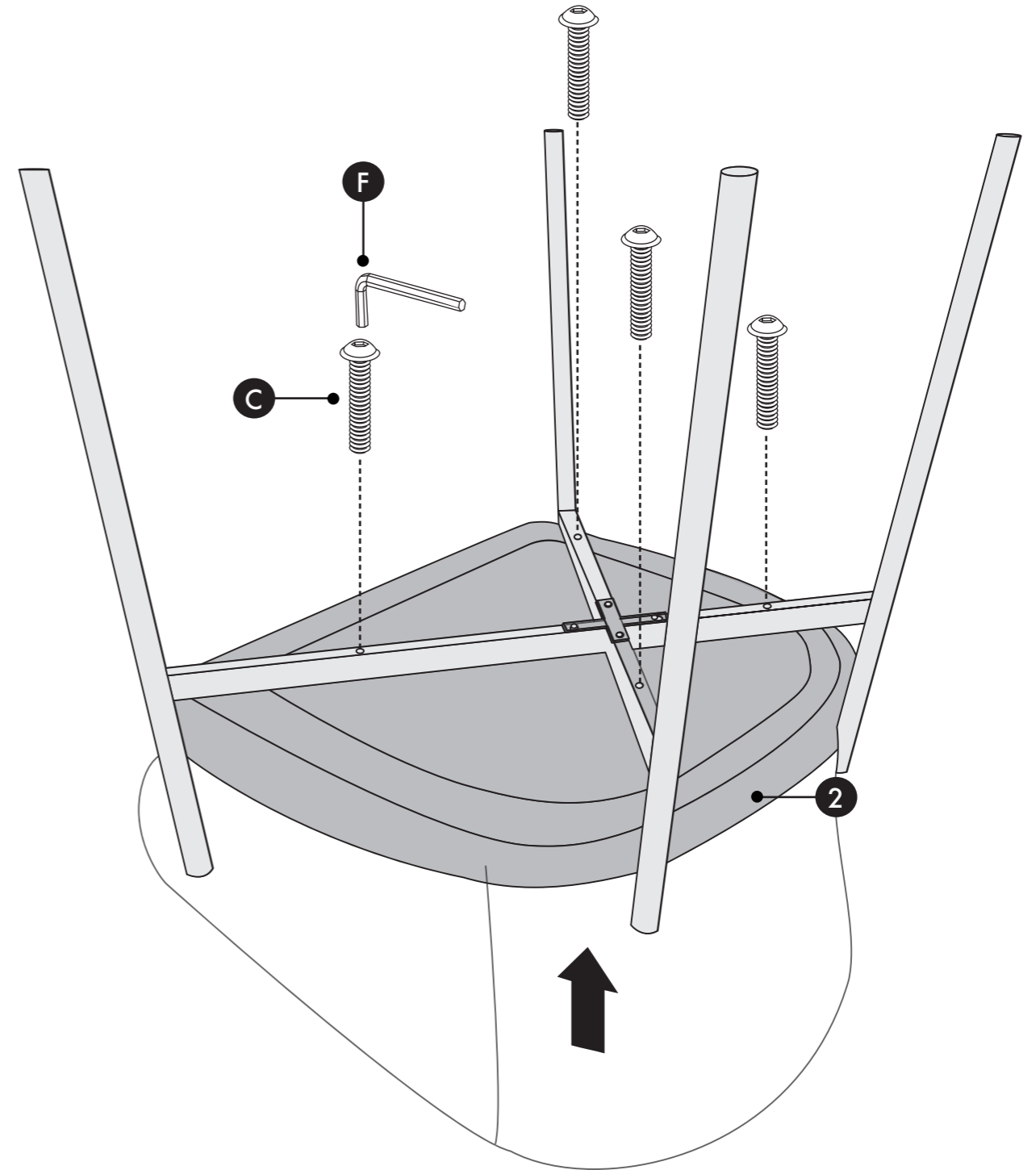
Assembly

3



Assembly

4



Information

Intended Use

Please read all instructions carefully before use and retain for future reference.

This product is not intended for outdoor use.

This product is not intended to be used as a climbing structure and is not a toy.

Children should be supervised to ensure they do not play with the product.

Follow each step of the assembly as outlined in this instruction manual.

Assemble the product close to its intended position.

Place the product in a suitable area where it will not create an obstruction and away from sources of combustion.

General Safety

- Do not use power tools to assemble.
- Do not climb on the product.
- Do not jump on the product.
- Re-tighten fixings every six months.

The assembly pack may contain small parts that can pose a choking hazard to children and pets.

Place the product on solid, even ground and use only in an upright, stable position.

Do not overload the product, as this may result in damage or personal injury.

Cleaning & Maintenance

Do not clean the product with abrasive cloths or chemicals. Solvents or detergents can damage the surface.

Periodically check and re-tighten fittings where applicable.

Re-tighten all fittings after the first week following assembly.

To clean, sponge down with warm water, a soft cloth and mild detergent.

Ensure you have all the pieces listed. If you are missing any components, contact our customer services department at support@vonhaus.com

DO NOT proceed with assembly if any components are missing.

Information

Customer Service

If you are having difficulty using this product and require support, please contact support@vonhaus.com

Warranty

To register your product and find out if you qualify for a free extended warranty please go to www.vonhaus.com/warranty

Please retain a proof of purchase receipt or statement as proof of the purchase date.

The warranty only applies if the product is used solely in the manner indicated in the warnings page of this manual, and all other instructions have been followed accurately.

Any abuse of the product or the manner in which it is used will invalidate the warranty.

Returns

Returned goods will not be accepted unless re-packaged in its original packaging and accompanied by a relevant and completed returns form. This does not affect your statutory rights.

No rights are given under this warranty to a person acquiring the appliance second-hand or for commercial or communal use.

Copyright

All material in this instruction manual are copyrighted by DOMU Brands.

Any unauthorised use may violate worldwide copyright, trademark, and other laws.

Thank You

Thank you for purchasing your product/appliance.

Should you require assistance with your purchase, please contact us at support@vonhaus.com

VonHaus is a registered trademark of DOMU Brands Ltd.

Made in China for DOMU Brands Ltd.
Unit 30, Stakehill Industrial Estate
Middleton, Manchester, M24 2RW

EU Authorised Representative

Authorised Representative Service
77 Camden Street Lower
Dublin, D02 XE80
Ireland

Let's get started!

Visit our product hub for useful tips and tricks on getting the most out of your new product.

SCAN ME

