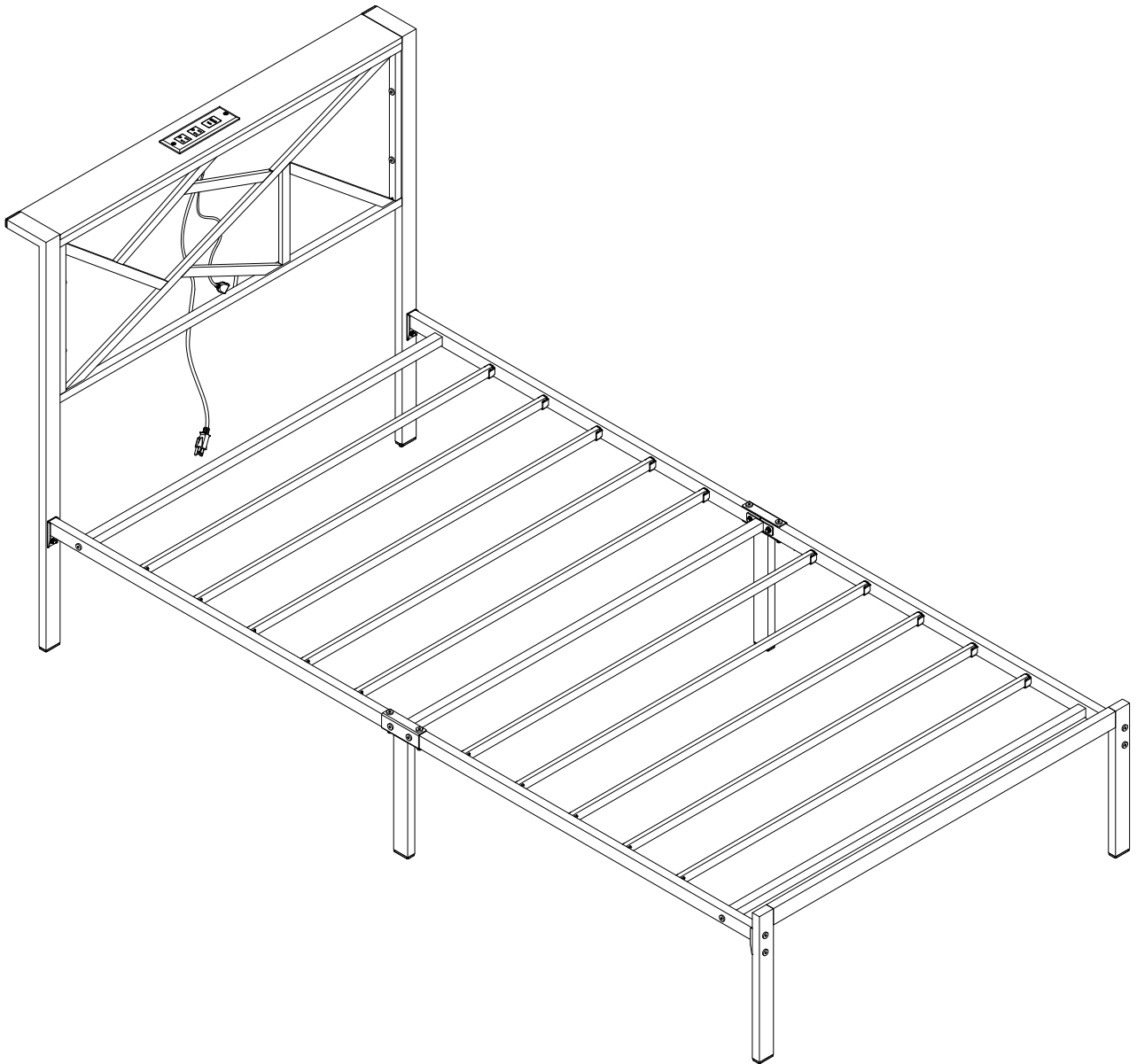
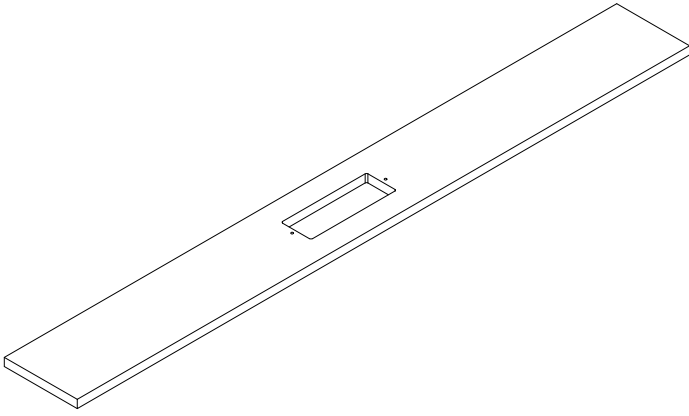


Bed Frames

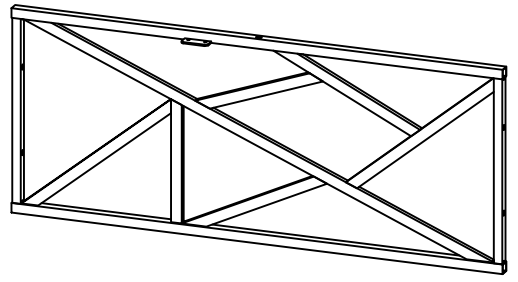


Twin

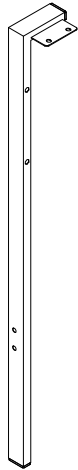
① x1



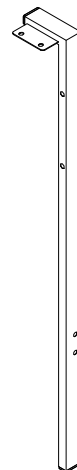
② x1



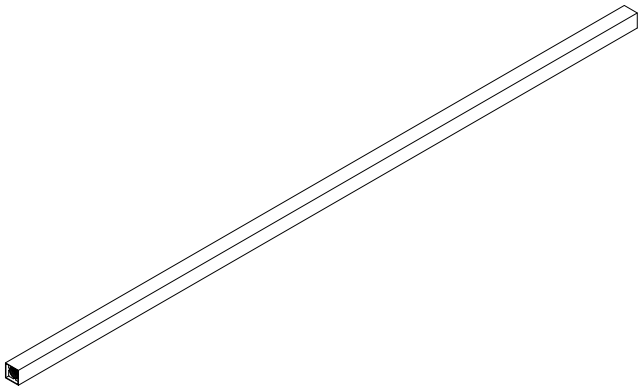
③ x1



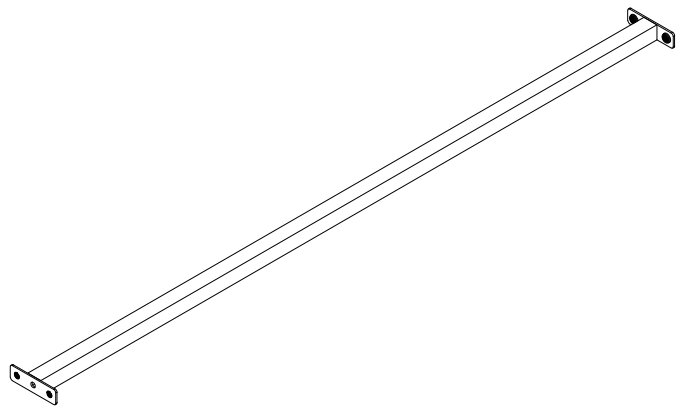
④ x1



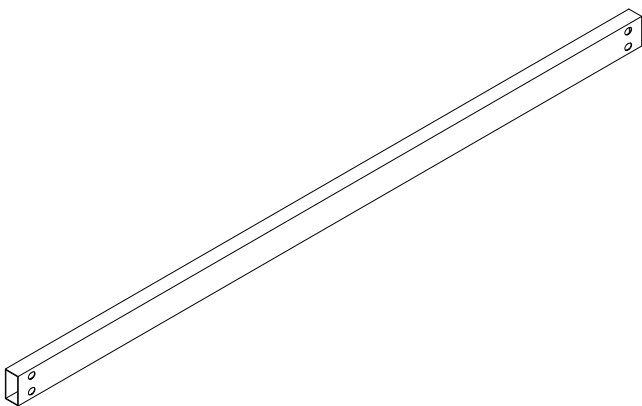
⑤ x2



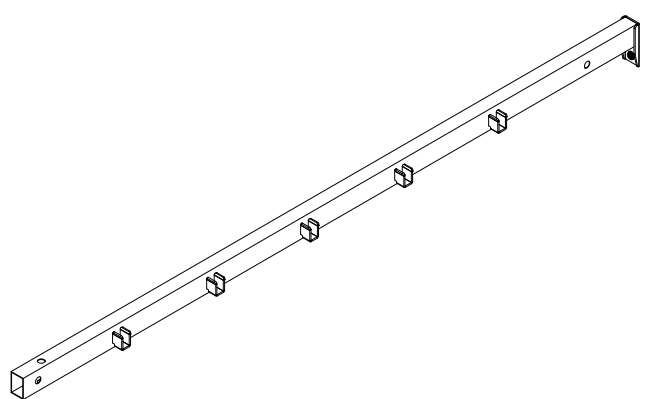
⑥ x1



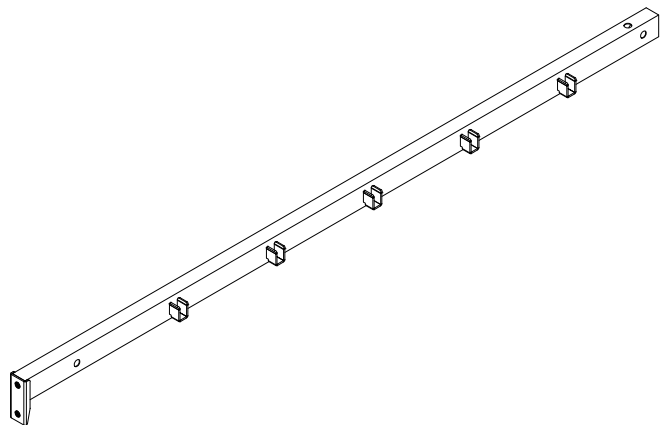
⑦ x1



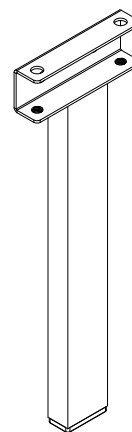
⑧ x2



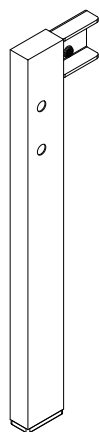
9 x2



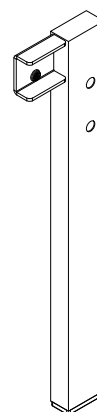
10 x2



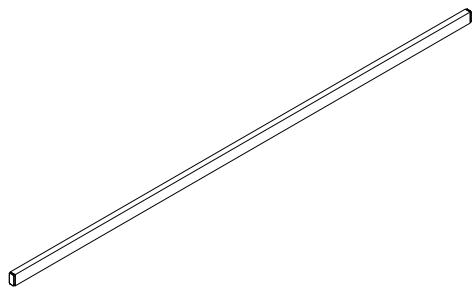
11 x1



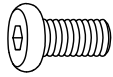
12 x1



13 x10

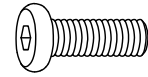


A x 8+1



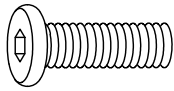
M6x10mm

B x 5+1



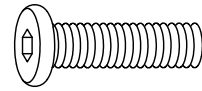
M6x26mm

C x 12+1



M8x30mm

D x 8+1



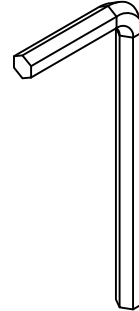
M8x45mm

E x 1



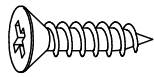
M4

F x 1



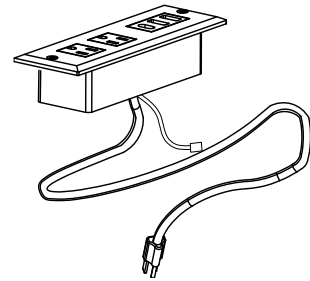
M5

G x 2+1

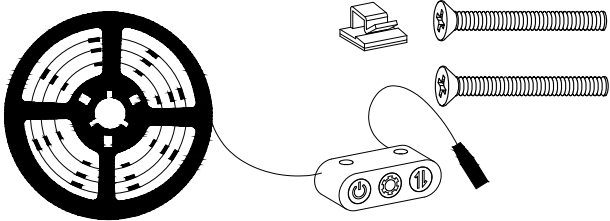


Ø4x10mm

H x 1

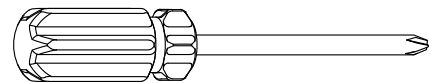


I x 1

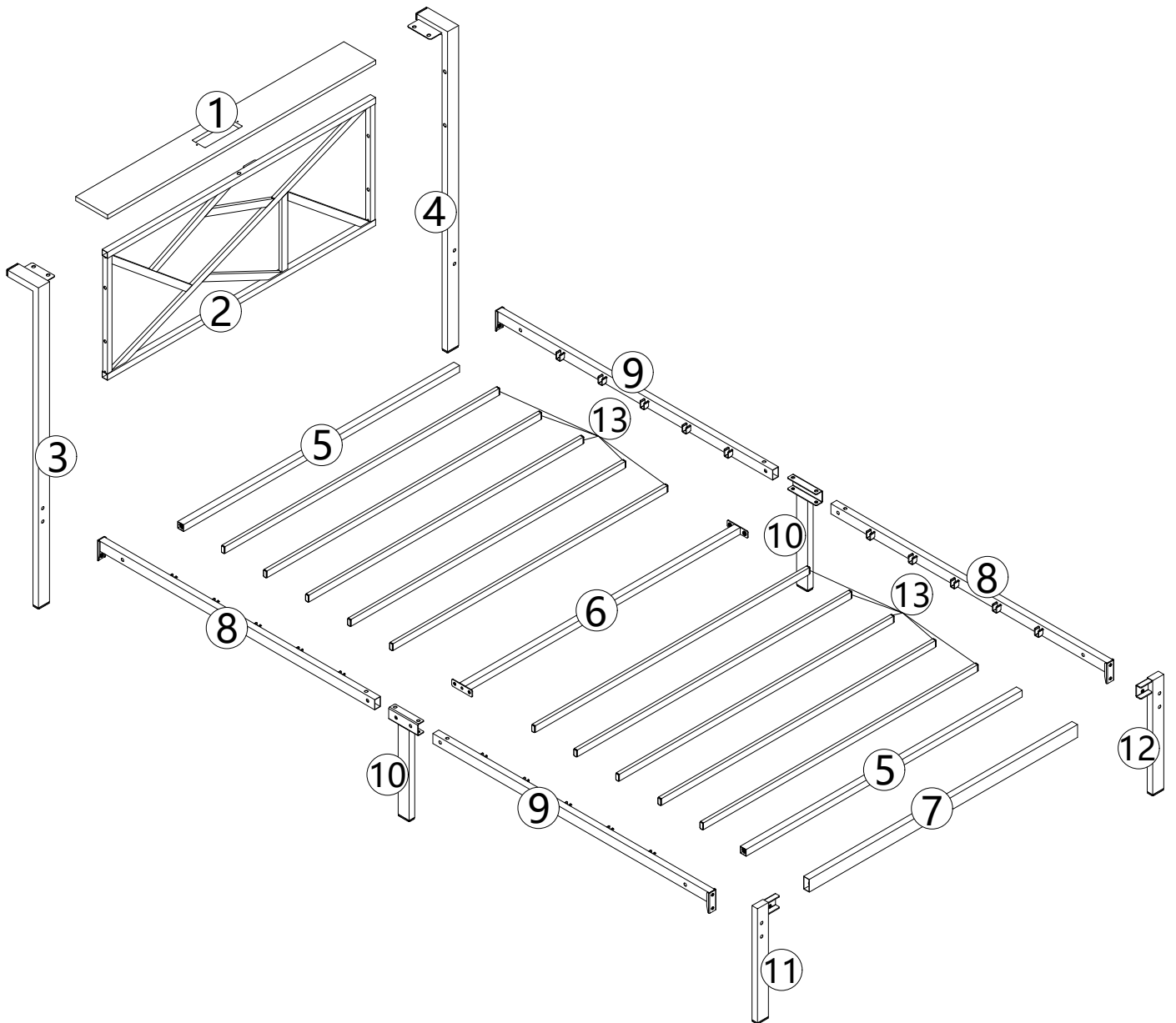


M4x22mm


J x 1

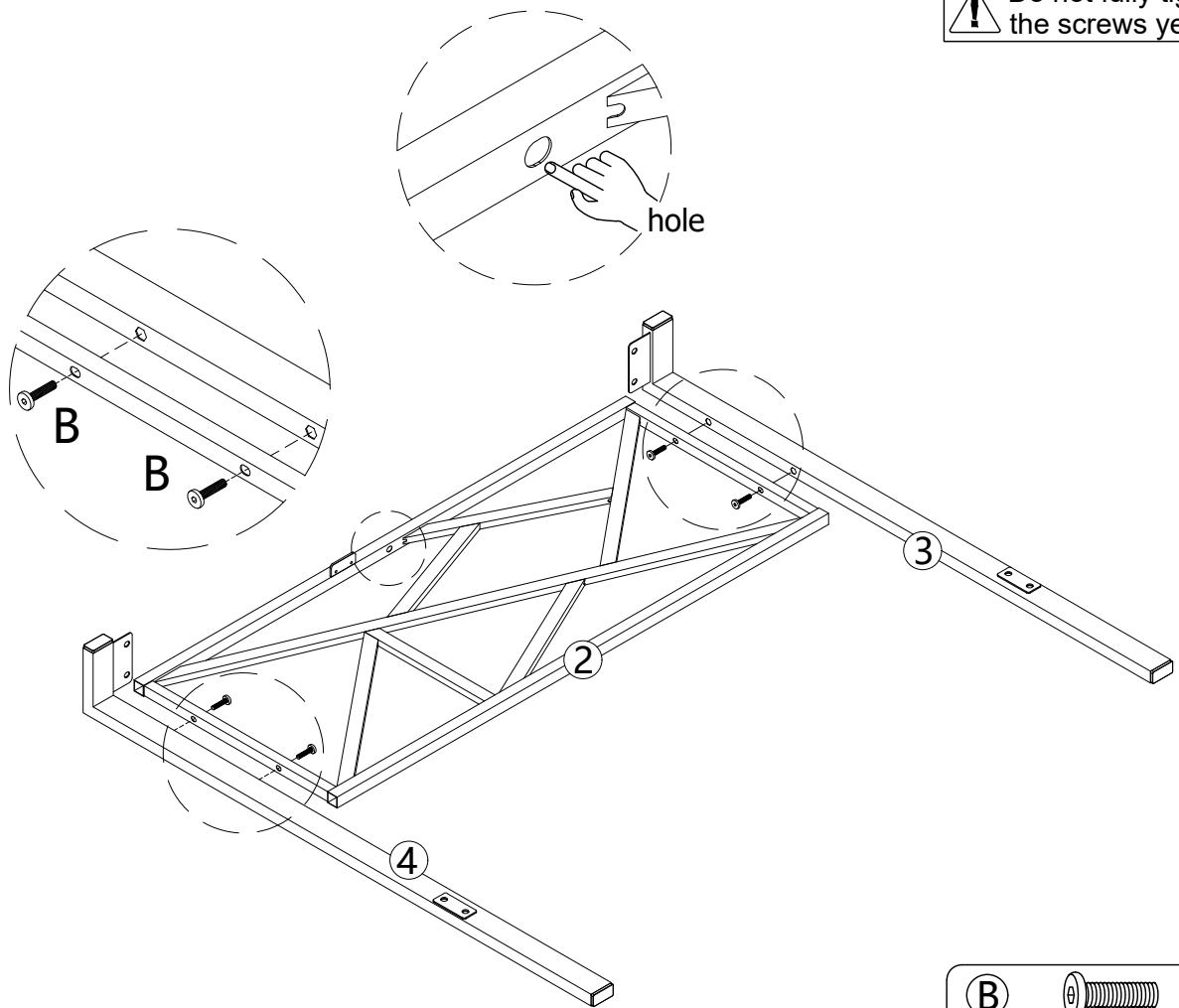


Parts list

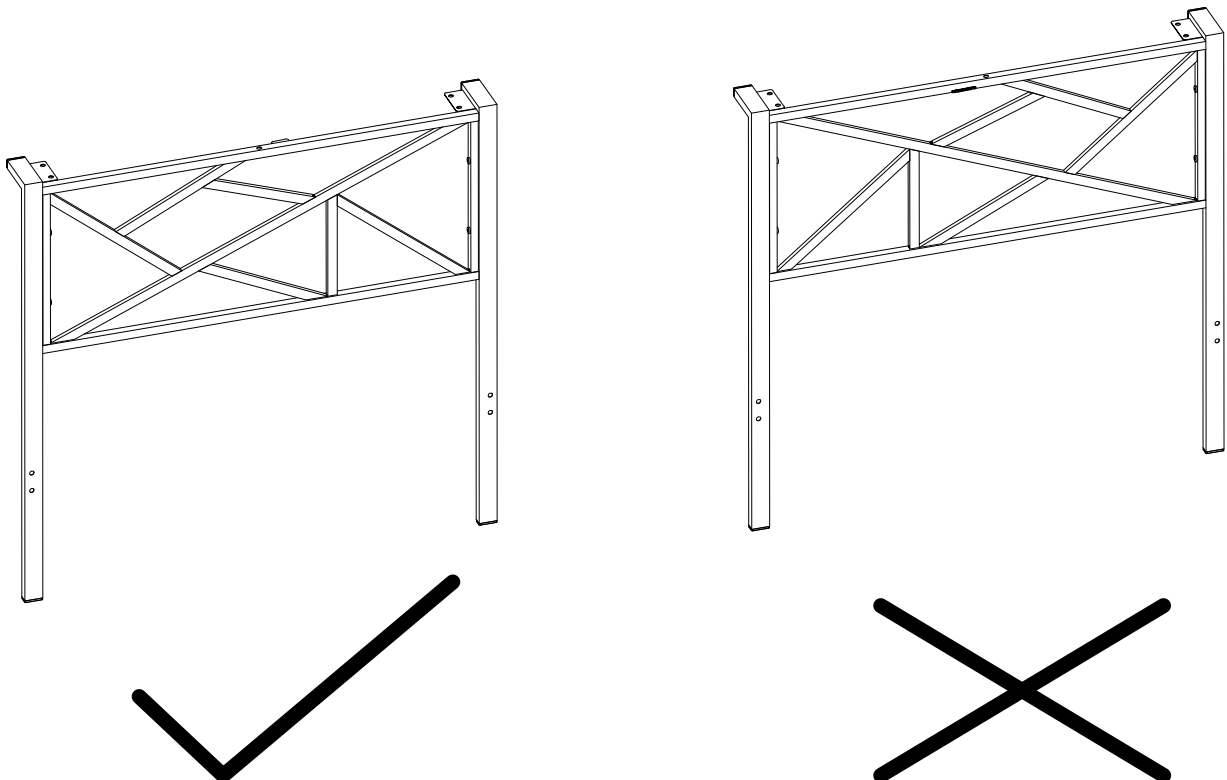


Step 1


 Do not fully tighten the screws yet.

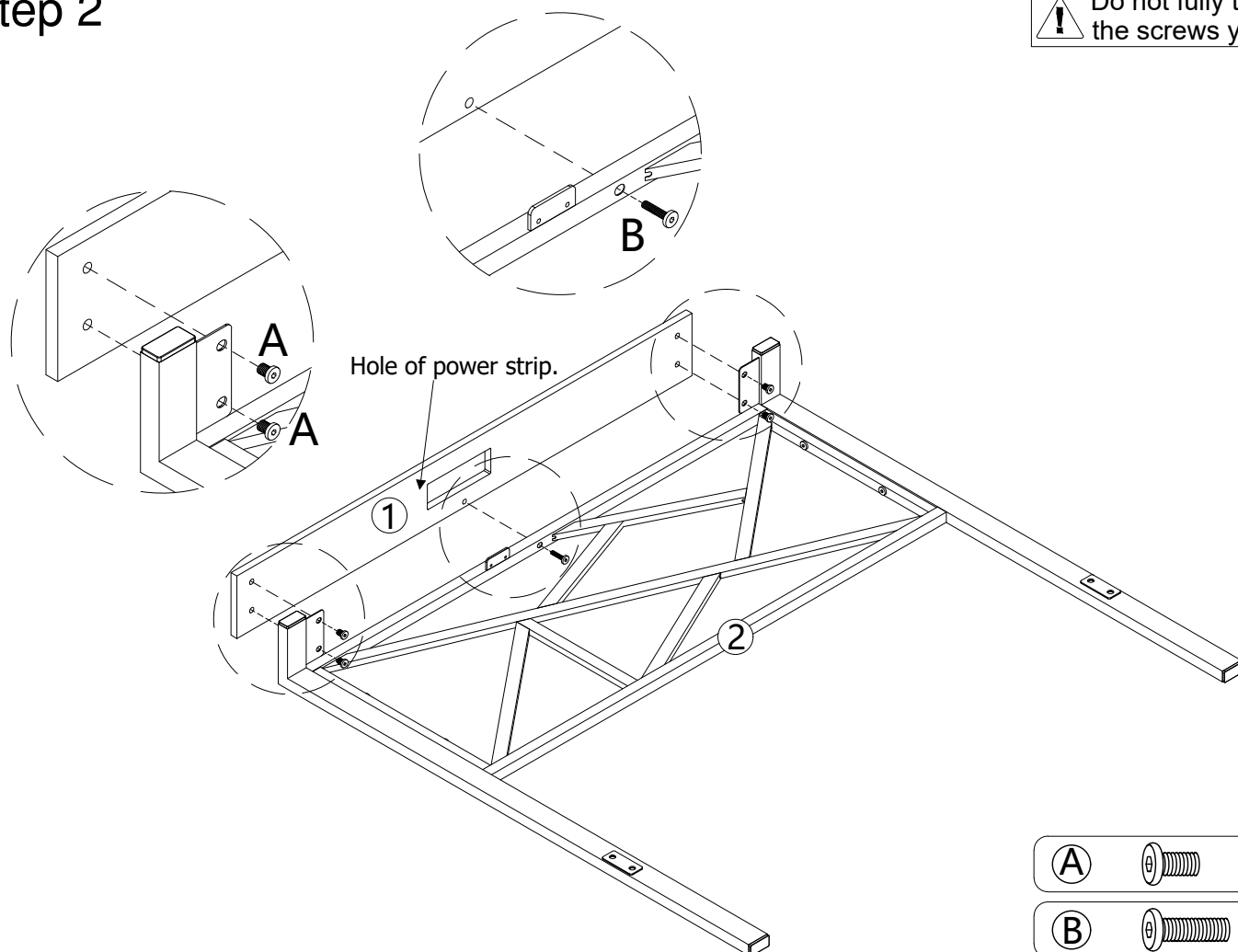




 Please pay attention to the direction of the iron frame.




Step 2

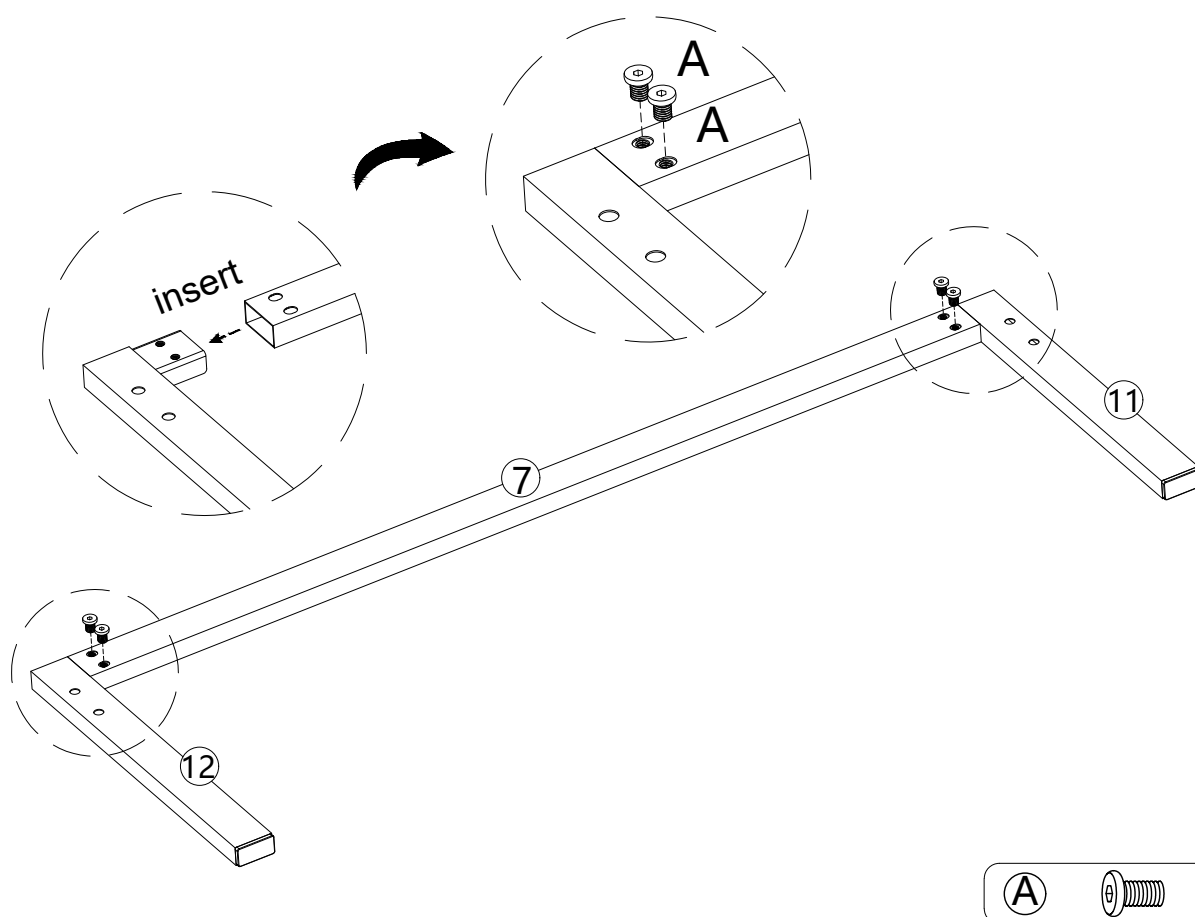
 Do not fully tighten the screws yet.




A		4
B		1


Step 3

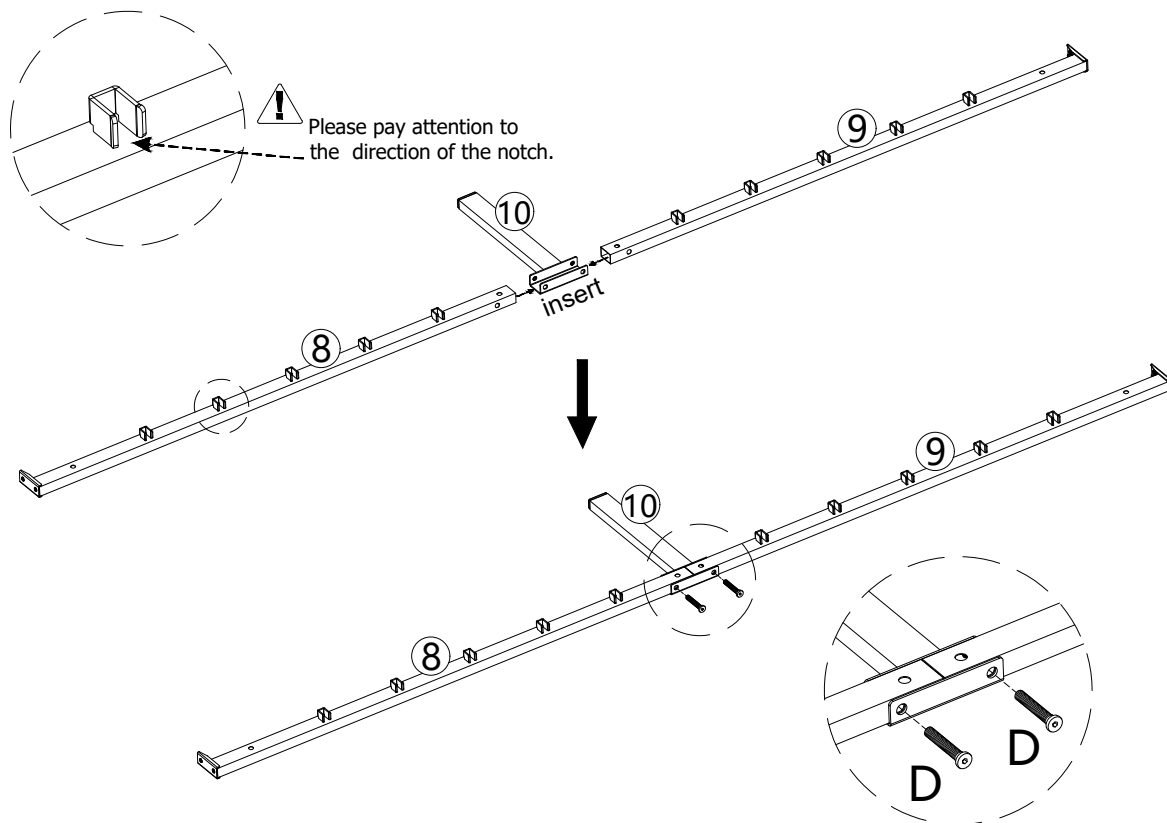
 Do not fully tighten the screws yet.





A		4
----------	---	---

Step 4


 Do not fully tighten the screws yet.

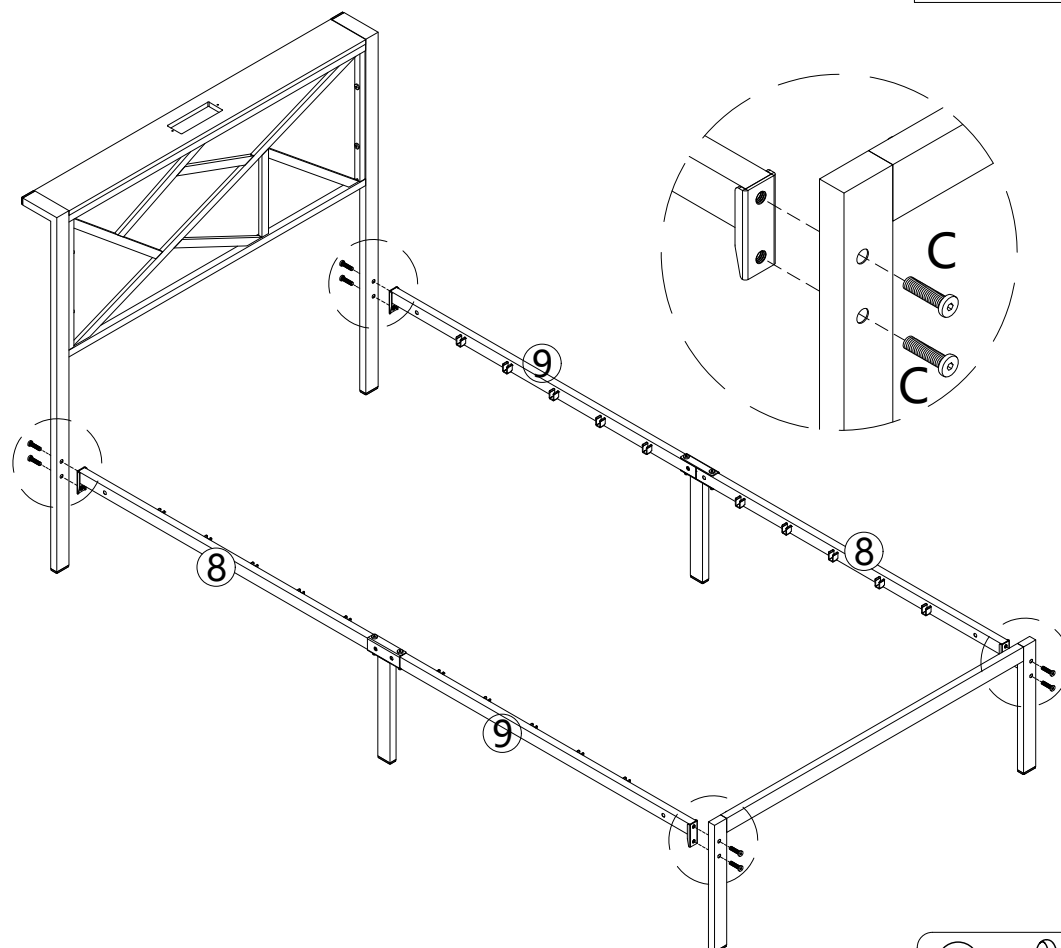



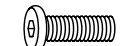
x 2

  4


Step 5

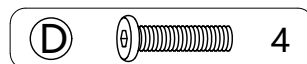
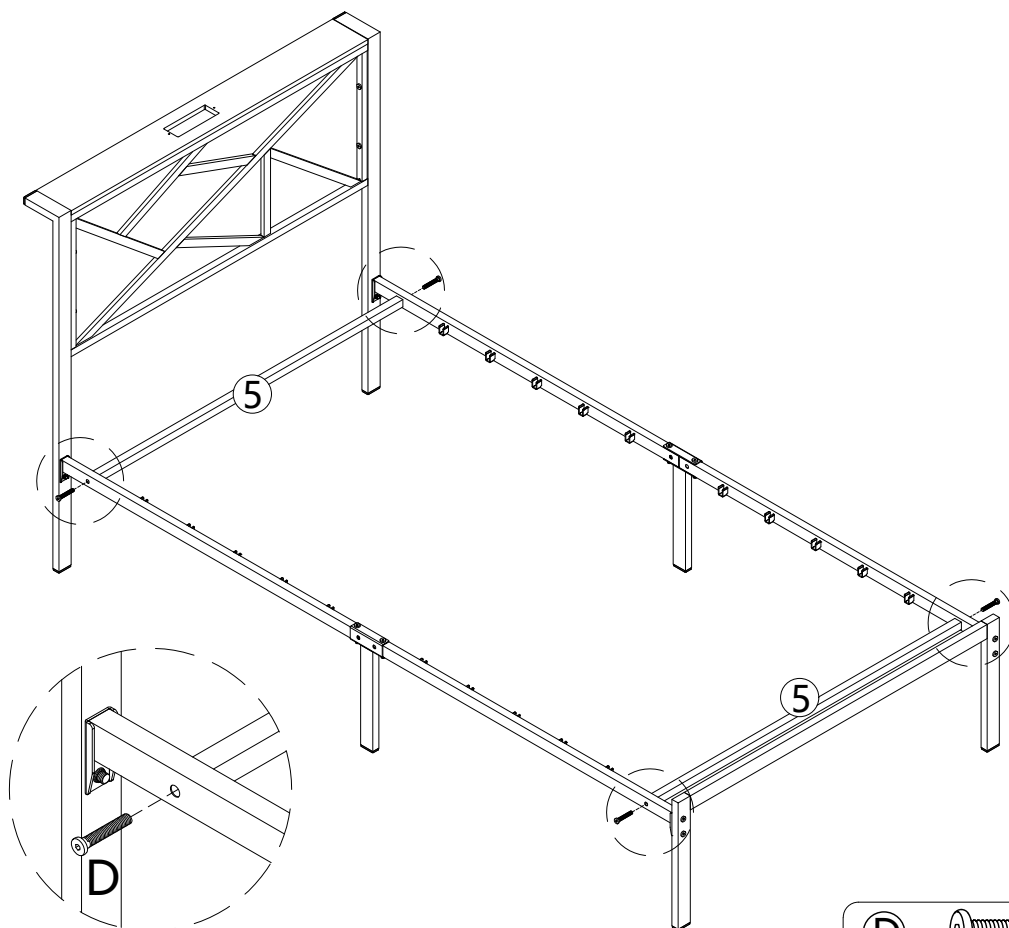
 Do not fully tighten the screws yet.




  8

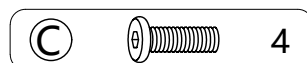
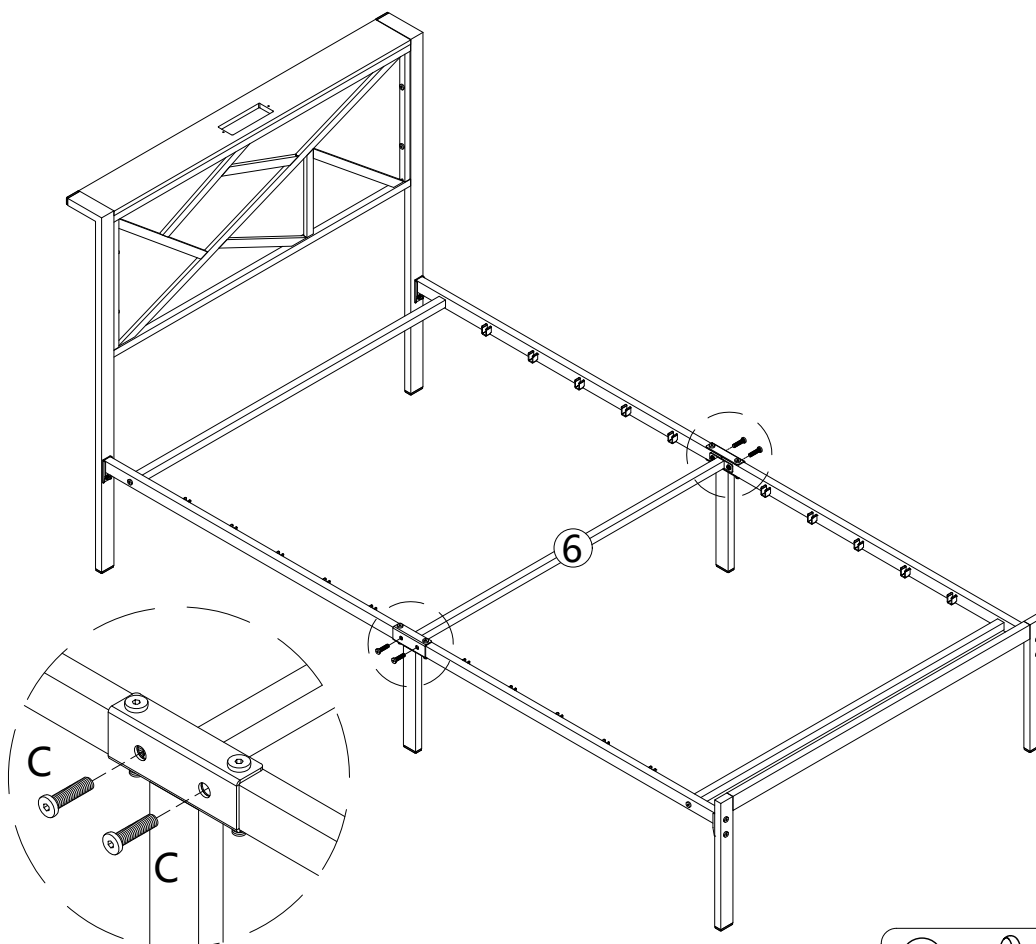
Step 6

 Do not fully tighten the screws yet.

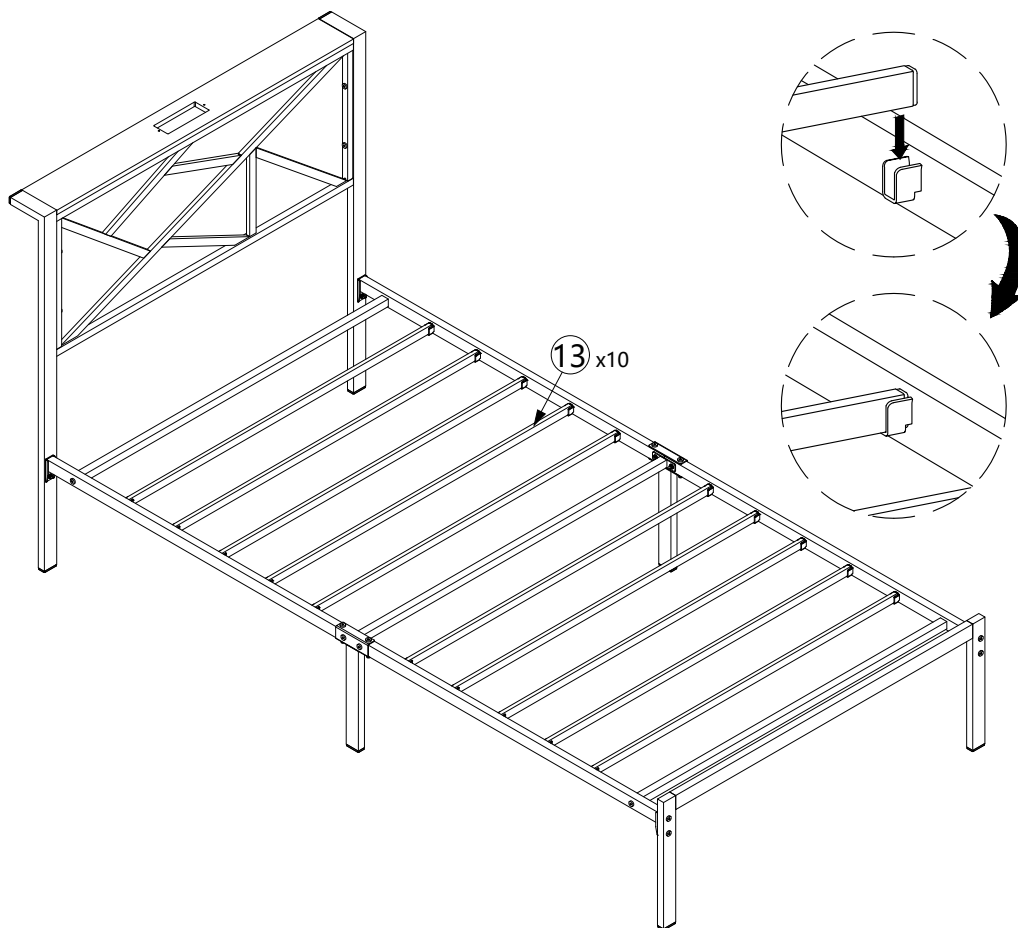


Step 7

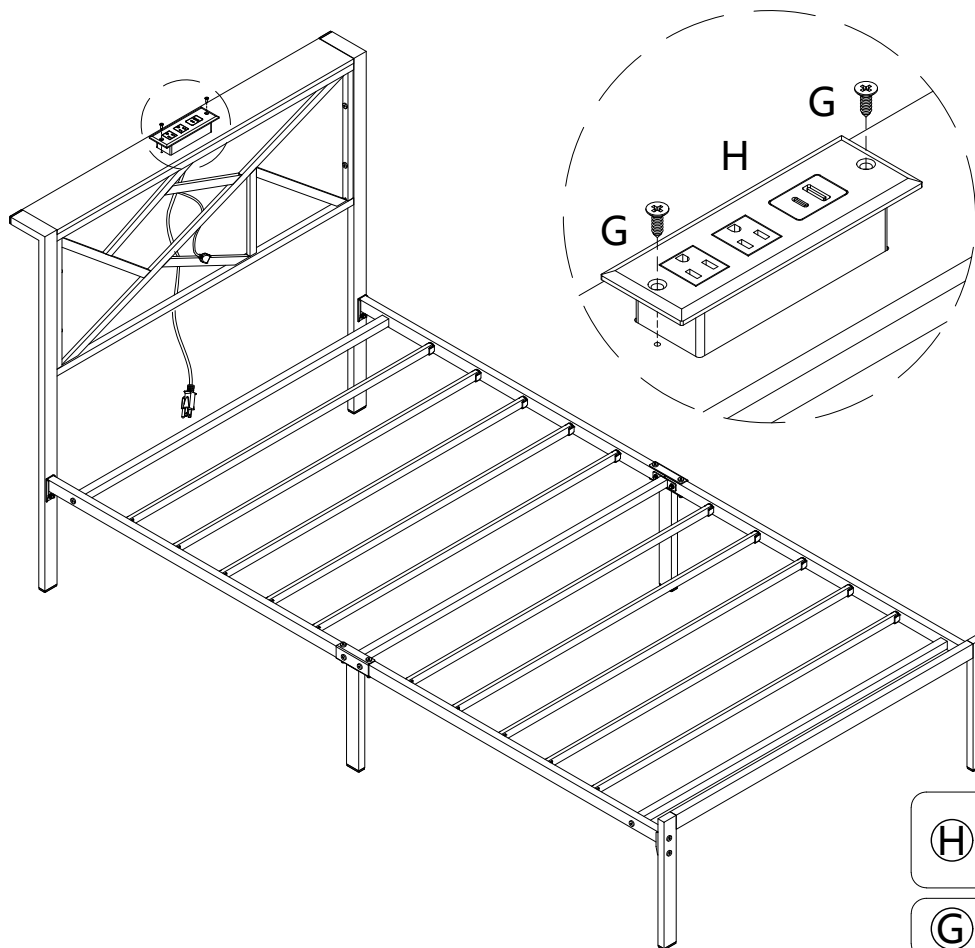
 Fully tighten all the screws.



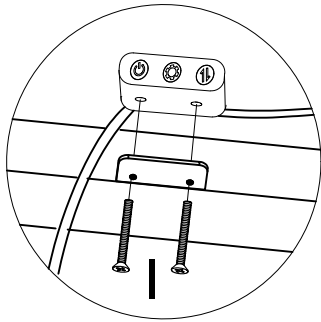
Step 8



Step 9



Step 10



1. You can also install (clip) on the right side according to your own choice.
2. Please tear off the light strip slowly when changing the position to prevent breaking.

