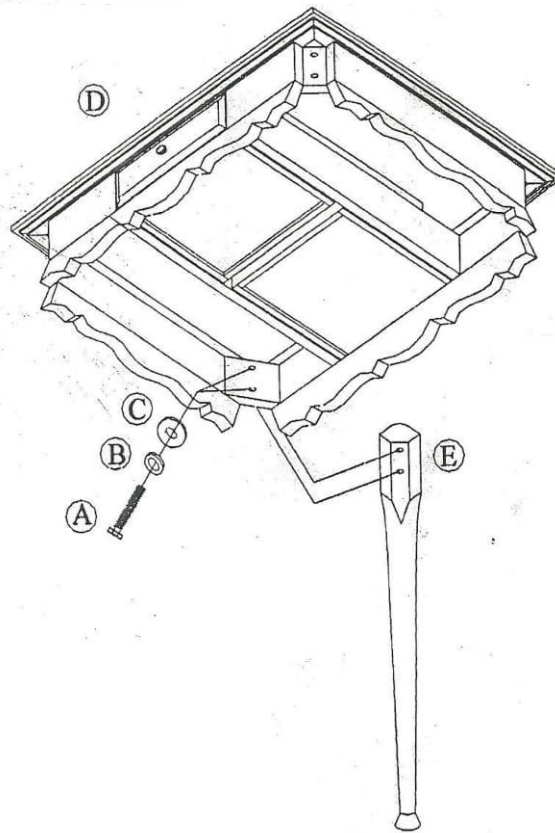


Assembly Instructions

PACKAGED

- | | |
|--|------------------|
| (A) 8 -Bolts $\text{\O}1/4'' \times 1-3/4''$ | (D) 1 -Table Top |
| (B) 8 -Spring Washer | (E) 4 -Legs |
| (C) 8 -Washer | |



(*) **Caution: DO NOT OVERTIGHTEN.**

In any correspondence regarding this product, please include the complete identification number located on the underside of the product.

We hope this Table will be a useful and decorative addition to your home for years to come.