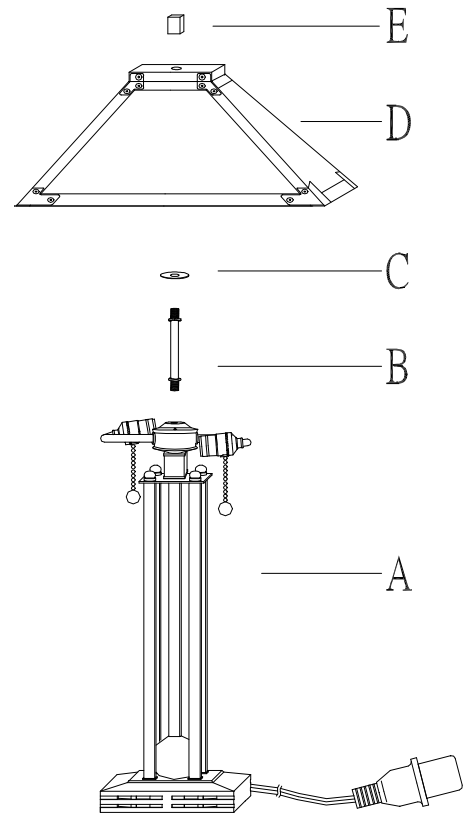


ASSEMBLY INSTRUCTIONS:

1. CAREFULLY UNPACK AND PLACE ALL PARTS ON A SMOOTH SURFACE AND LINE THEM UP AS PER THE SKETCH .
2. SCREW PIPE (B) CLOCKWISE INTO THE SOCKET ASSEMBLY WHICH LIES ON THE TOP OF STEM (A).
3. PLACE STEEL WASHER (C) ONTO THE TOP OF THE PIPE (B), SHADE (D) ONTO STEEL WASHER (C). THEN TIGHTEN SHADE (D) BY SCREWING FINIAL (E).
4. INSERT THE POLARIZED PLUG INTO WALL OUTLET, TURN ON THE SWITCH AND ENJOY YOUR NEW LAMP.



IMPORTANT SAFETY INSTRUCTIONS:

THIS PORTABLE LAMP HAS A POLARIZED PLUG (ONE BLADE IS WIDER THAN THE OTHER) AS A FEATURE TO REDUCE THE RISK OF ELECTRIC SHOCK. THIS PLUG WILL FIT IN A POLARIZED OUTLET ONLY ONE WAY. IF IT DOES NOT FIT FULLY IN THE OUTLET, REVERSE THE PLUG. IF IT STILL DOES NOT FIT, CONTACT A QUALIFIED ELECTRICIAN. NEVER USE WITH AN EXTENSION CORD UNLESS THE PLUG CAN BE FULLY INSERTED. DO NOT ALTER THE PLUG .

***SAVE THESE INSTRUCTIONS FOR FUTURE REFERENCE. ***