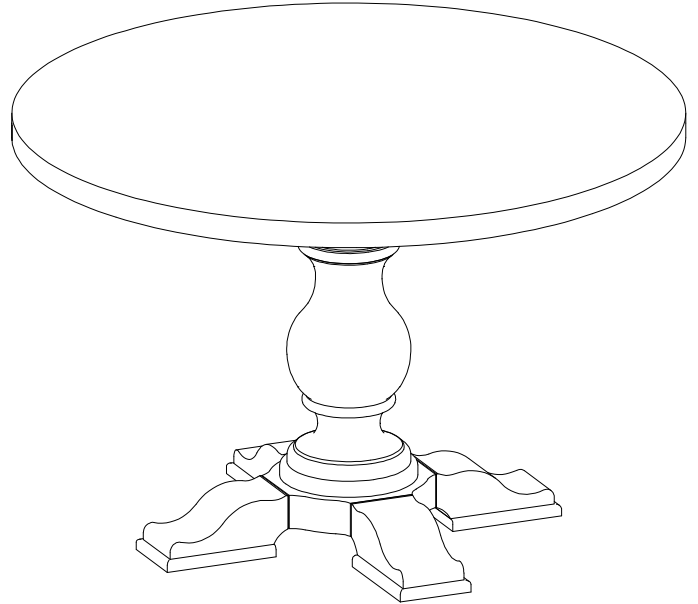
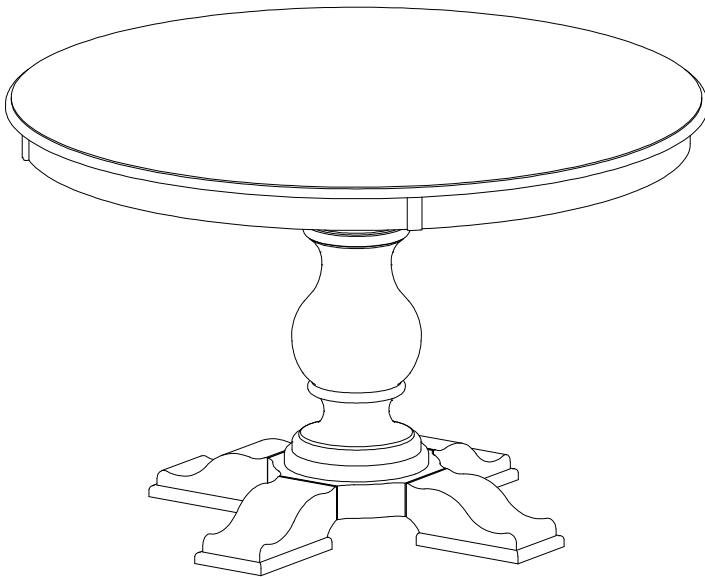


ASSEMBLY INSTRUCTIONS

Pedestal is compatible with both the tabletops. Assembly instructions are identical for each



Description : 54" ROUND DINING TABLE Product Dimension : Ø54"x30"H Cube Size : 57.4"x57.4"x4.7" (TABLETOP)	NW: 46.2 LBS GW: 57.2 LBS	Description : 54" ROUND DINING TABLE Product Dimension : Ø54"x30"H Cube Size :57.4"x57.4"x5.1" (TABLETOP)	NW: 52.8 LBS GW: 63.8LBS
Description : 48" ROUND DINING TABLE Product Dimension : Ø48"x30"H Cube Size : 51.3"x51.3"x5.3" (TABLETOP)	NW: 41.8 LBS GW: 50.6 LBS	Description : 48" ROUND DINING TABLE Product Dimension : Ø48"x30"H Cube Size : 51.3"x51.3"x5.1" (TABLETOP)	NW: 44 LBS GW: 51.7 LBS
Cube Size :32.7"x32.7"x15.5" (PEDESTAL-005)	NW: 30.8 LBS GW: 39.6 LBS		

48" /54" ROUND DINING TABLE

BEFORE ASSEMBLY

Thank you for purchasing this quality product. This product has been designed for easy assembly and constructed for durability. Please take the time to read and follow the assembly instructions carefully.

Be sure to check all packing material carefully for small parts which may have come loose inside the carton during shipment. Please separate, identify, and count all parts and metal hardware. Compare with part list to be sure all parts are present.

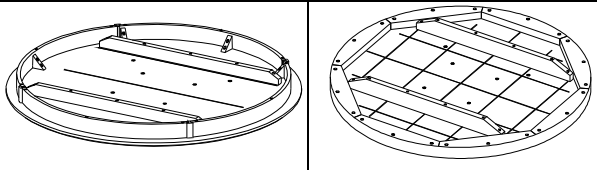

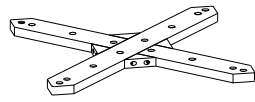
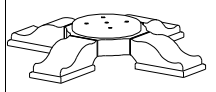
If hardware is missing or you have difficulty assembling this product, please call for us.

IMPORTANT NOTE:

- Place all wooden parts on a clean and smooth surface such as a rug or carpet to avoid the parts from being scratched.
- Remove all wrapping material, including staples & packing straps before you start to assemble.
- DO NOT tighten all screws and bolts until completely assembled.
- Keep all hardware parts out of reach of children.

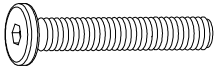
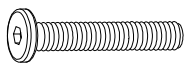
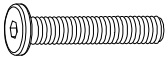

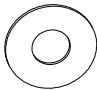


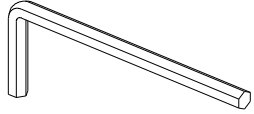
PART LIST

When unpacking, please be careful not to discard any parts with the packaging. Before continuing, please make sure you have the following parts:

NO	Description	Qty	Sketch	NO	Description	Qty	Sketch
A	Table Top	1		B	Pedestal	1	
C	Cross piece	1		D	Foot Platform	1	

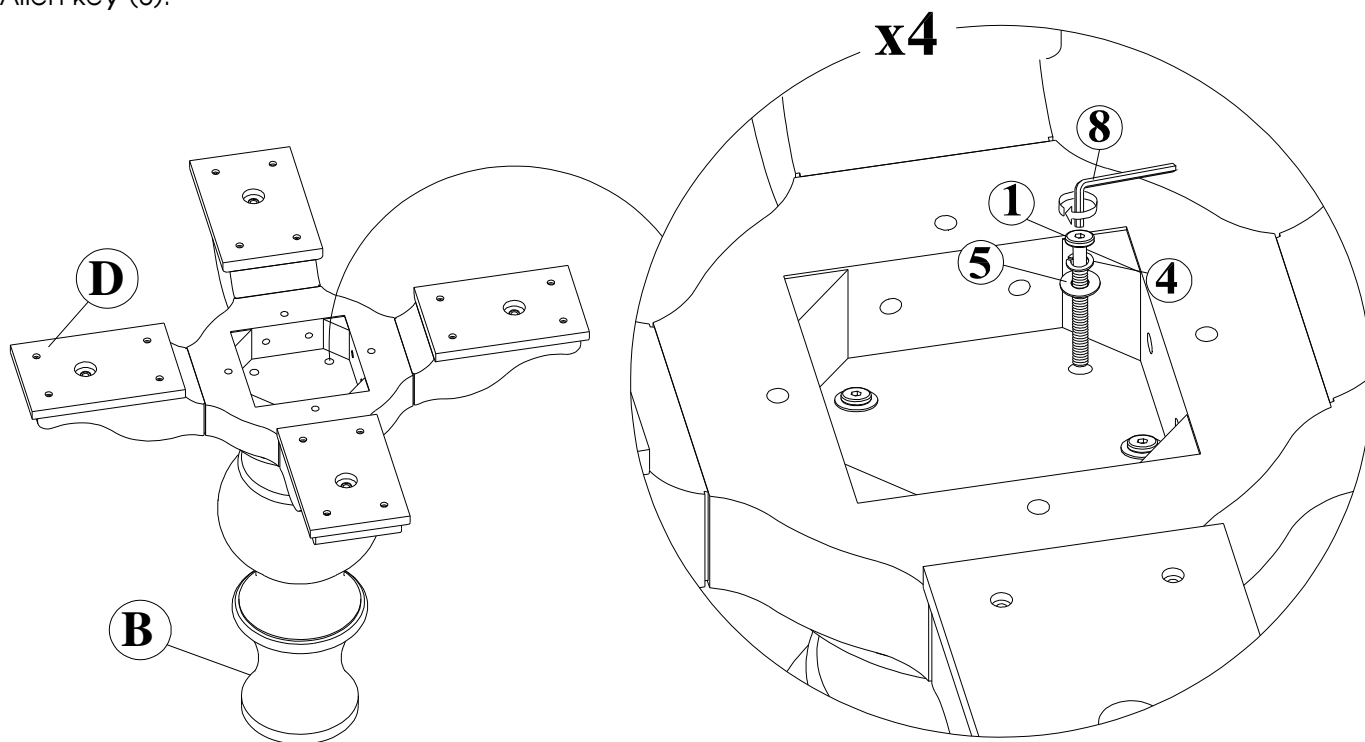
HARDWARE LIST

When unpacking, please be careful not to discard any parts with the packaging. Before continuing, please make sure you have all of the following hardware:

NO	Description	Qty	Sketch	NO	Description	Qty	Sketch
1	Long bolt (M8x50mm)	4		2	Medium bolt (M6x40mm)	4	
3	Short bolt (M6x30mm)	8		4	Large lock washer (Φ8.5xΦ13mm)	4	
5	Large flat washer (Φ8.5xΦ19mm)	4		6	Small lock washer (Φ6.5xΦ9mm)	4	
7	Small flat washer (Φ6.5xΦ13mm)	4		8	Allen key (M4)	1	

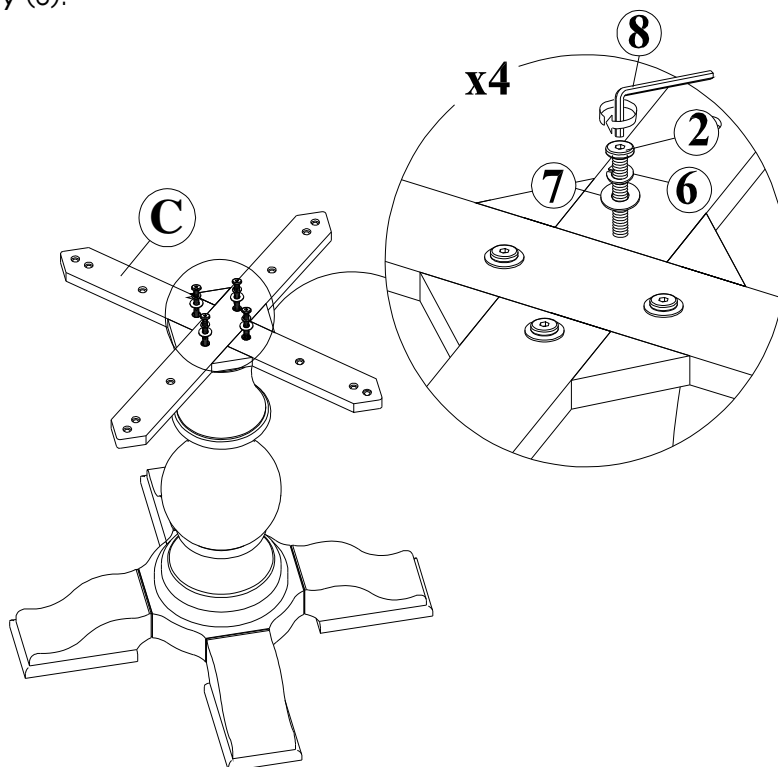
STEP 1

Attach the Foot Platform (D) to the Pedestal (B) with long bolt (1) and washer (4), (5). Tighten with Allen key (8).



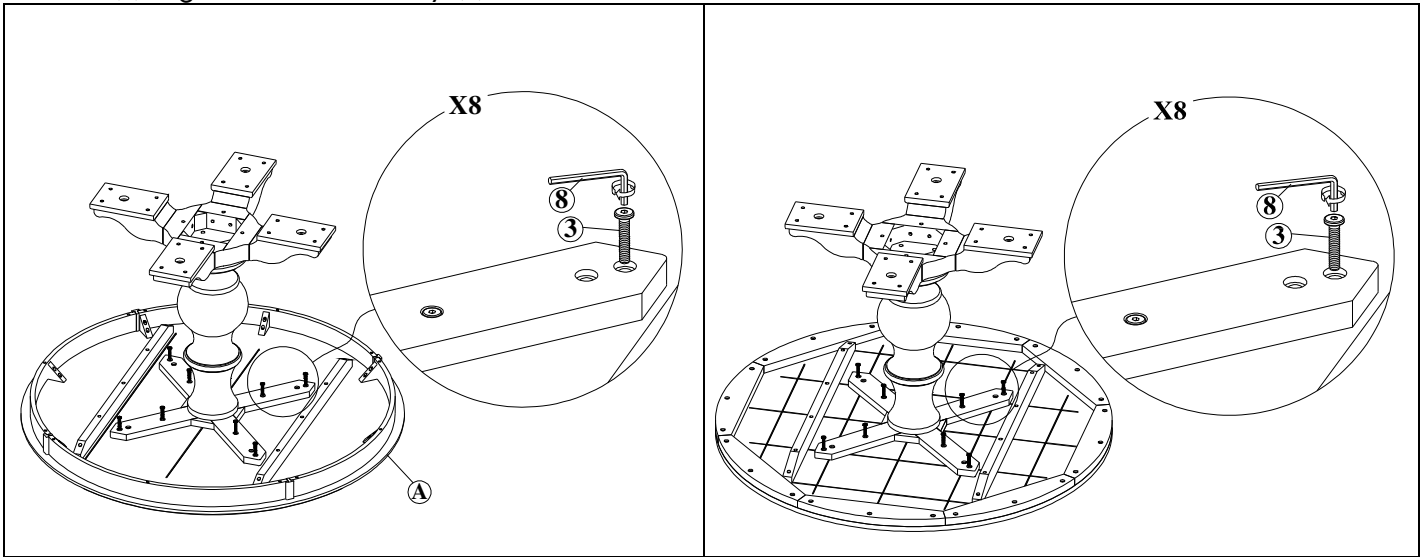
STEP 2

Put the Cross piece (C) on top of the Pedestal (B) and attach with medium bolts (2), washers (6), (7). Tighten with Allen key (8).



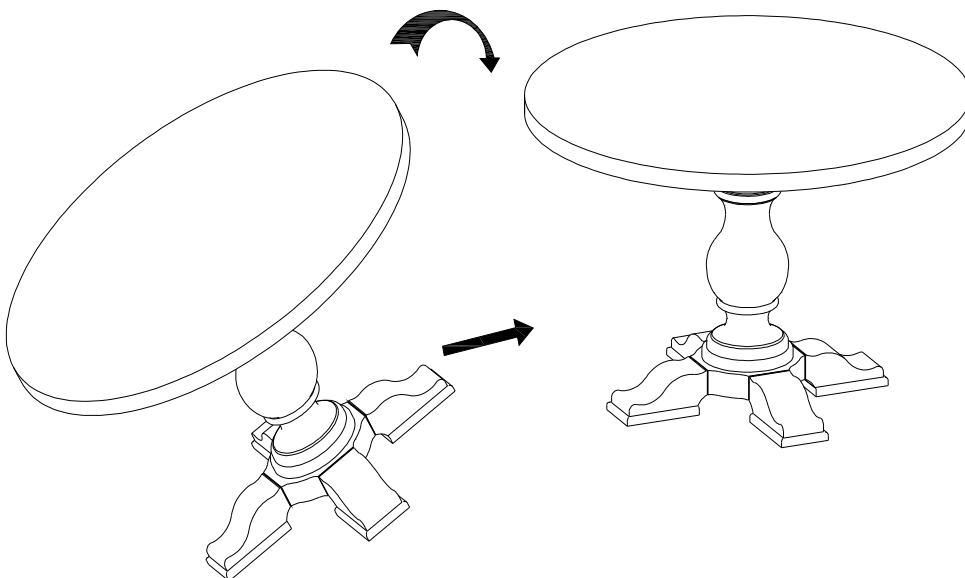
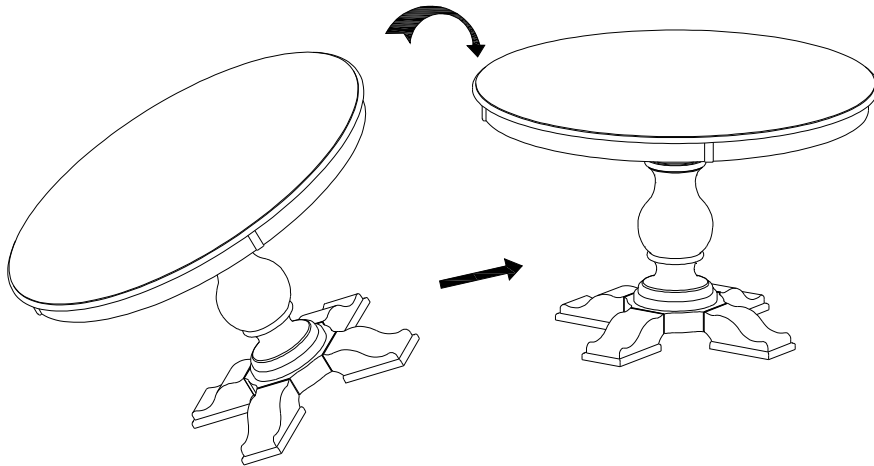
STEP 3

Carefully place the Cross piece (from Step 2) on bottom side of the table top (A), attach with short bolts (3). Tighten with Allen key (8)



STEP 4

Flip the table and put on flat ground. Complete the assembly



48" /54" ROUND DINING TABLE