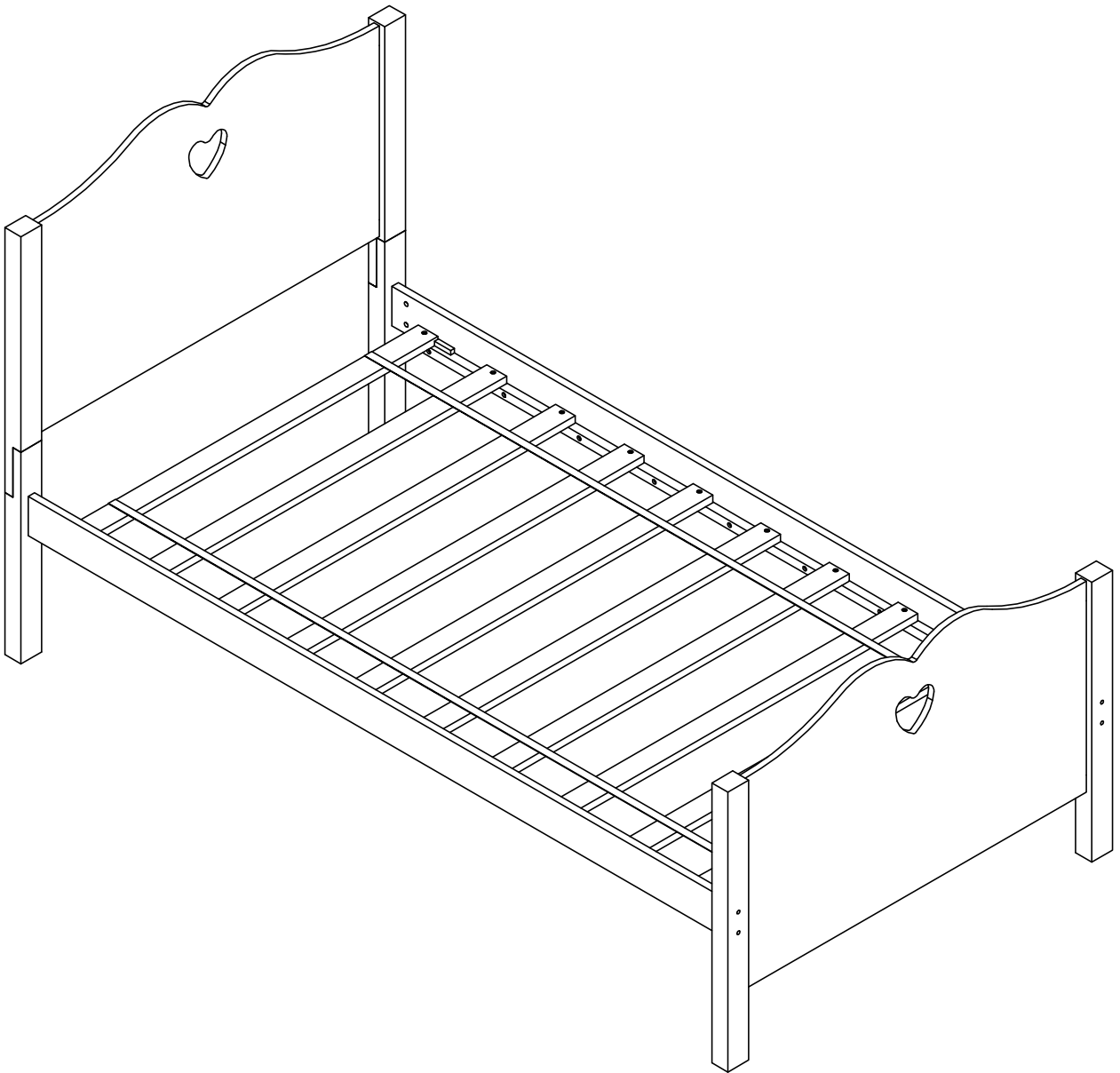
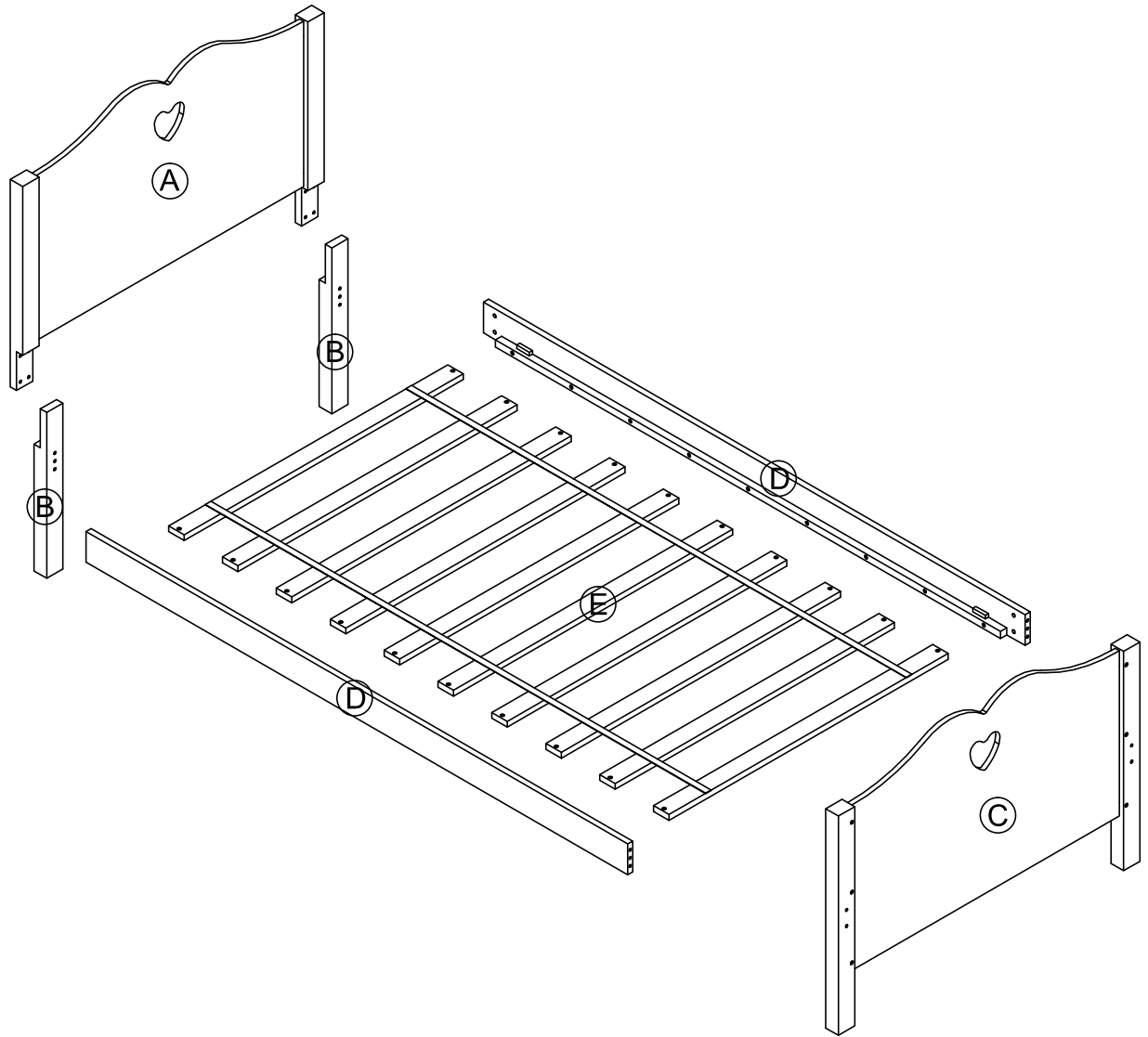


# ASSEMBLY INSTRUCTIONS

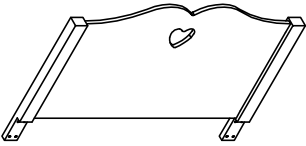
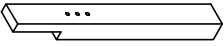
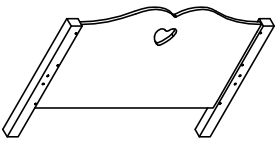
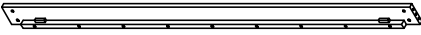
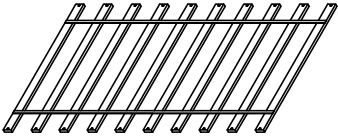
## TWIN BED



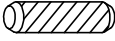
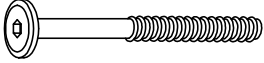


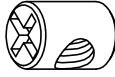


# Detail View



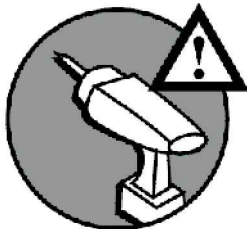
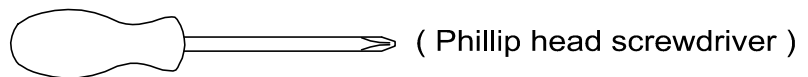
# Part List

<b>A</b> 	<b>B</b> 	<b>C</b> 
Headboard - 1pc	Leg Headboard (L&R)-2pcs	Footboard - 1pc
<b>D</b> 	<b>E</b> 	
Side rail (Back & Front) - 2pcs	Slats - 1set (10pcs)	

# Hardware List

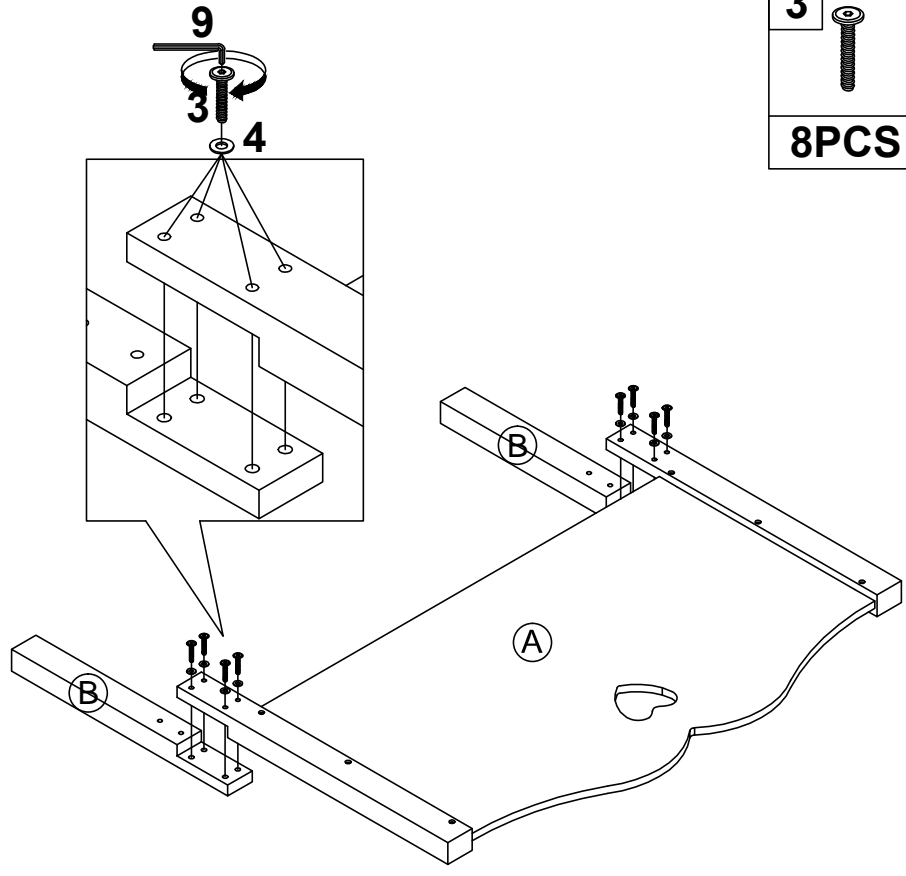
<b>1</b>  Ø8*30mm Wood dowel (4pcs)	<b>2</b>  (Ø15)1/4"*100mm Hex-Head bolts (8pcs)	<b>3</b>  (Ø12)1/4"*40mm Hex-Head bolts (8pcs)
<b>4</b>  1/4"*19*2mm Flat Washer (8pcs)	<b>5</b>  1/4"*15 (9.5mm) Horizontal-Hole bolts(8pcs)	<b>6</b>  Ø4*30mm Wood screws (20pcs)
<b>7</b>  (1/4")4.5*58mm Allen key (1pc)		

## ASSEMBLY TOOLS REQUIRED ( NOT INCLUDED )



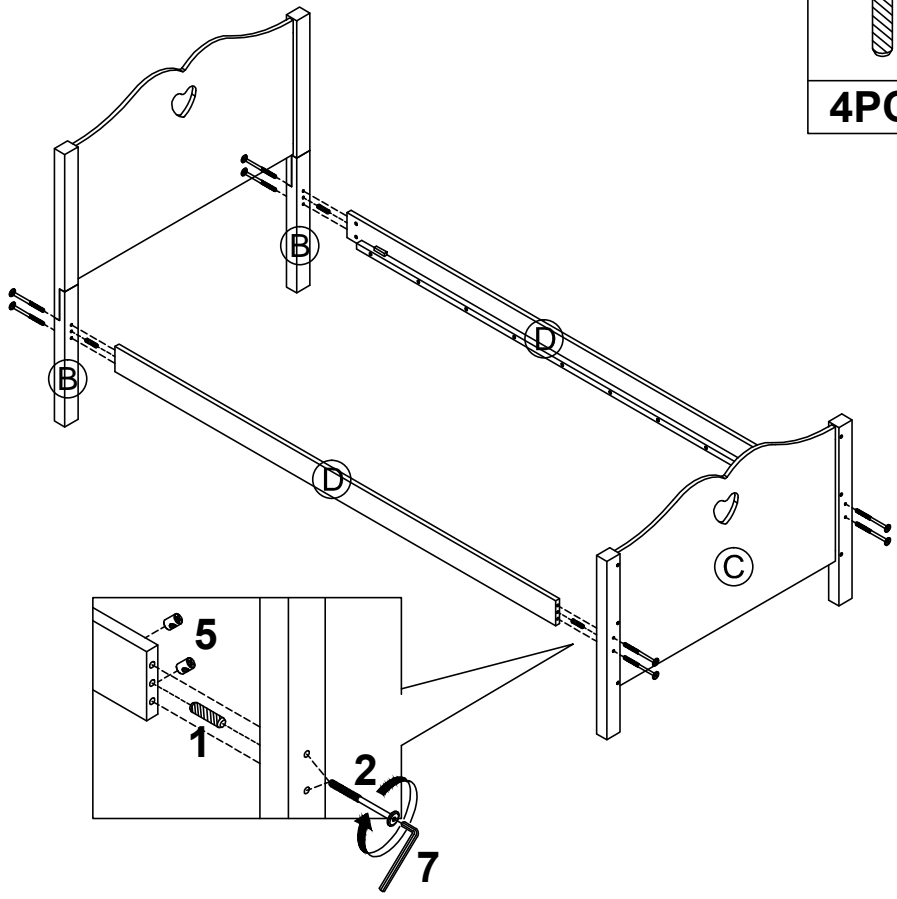
PLEASE BE CAREFUL DO NOT DAMAGE THE HOLE POSITION WHEN YOU USE POWER TOOLS !

**STEP 1:**



3		4	
8PCS		8PCS	

**STEP 2:**



1		2	
4PCS		8PCS	
		5	
		8PCS	

STEP 3:

6



20PCS

