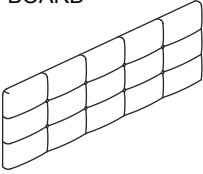
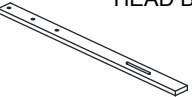


ASSEMBLY INSTRUCTION

STEP 1

NO	PART LIST	QTY
1	HEAD BOARD 	1pc

2	HEAD BOARD LEG 	2pcs
---	-----------------------------------------------------------------------------------------------------	------

NO	HARDWARE LIST	QTY
----	---------------	-----

A	JCBC SCREW M8 x 35mm	4pcs
---	-------------------------	------

B	SPRING WASHER M8 x 14mm	4pcs
---	----------------------------	------

C	FLAT WASHER M8 x 22mm	4pcs
---	--------------------------	------

D	JCBC SCREW M6 x 50mm	4pcs
---	-------------------------	------

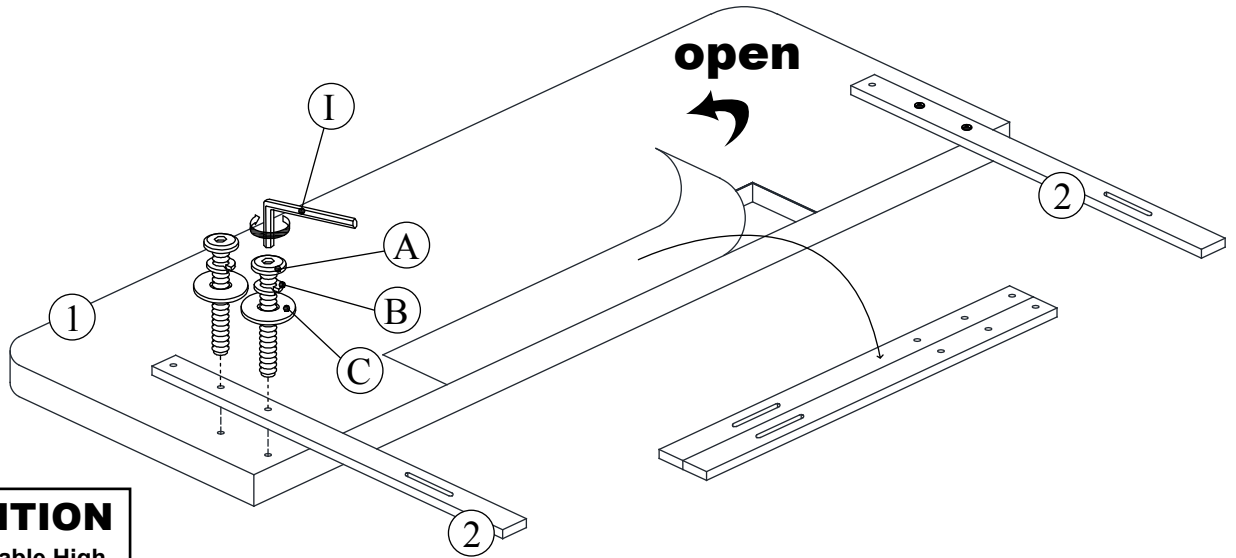
E	SPRING WASHER M6 x 12mm	4pcs
---	----------------------------	------

F	FLAT WASHER M6 x 19mm	8pcs
---	--------------------------	------

G	HEX NUT M6 x 5mm	4pcs
---	---------------------	------

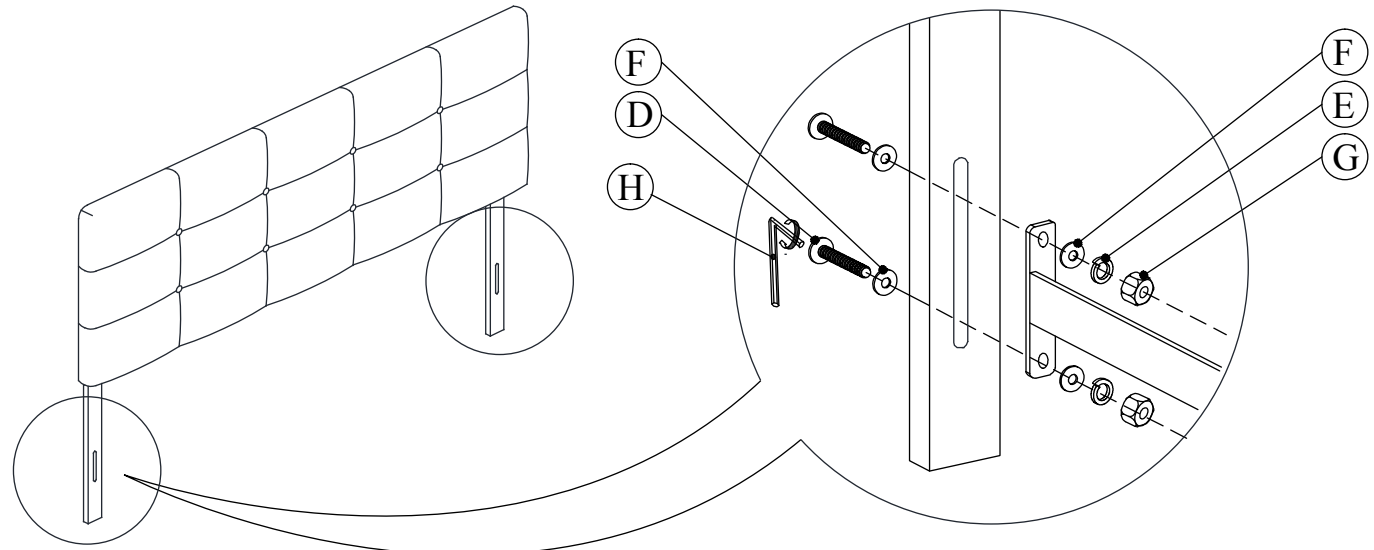
H	L - KEY M4 x 65mm	1pc
---	----------------------	-----

I	L - KEY M5 x 65mm	1pc
---	----------------------	-----



ATTENTION
Leg Adjustable High

STEP 2



NOTE: AFTER A FEW DAYS OF ASSEMBLY, IT WILL HAVE ACCLIMATIZED TO THE ENVIRONMENT. PLEASE TIGHTEN ALL HARDWARE. CHECK TIGHTNESS OF ALL SCREWS EVERY 6-8 WEEKS.