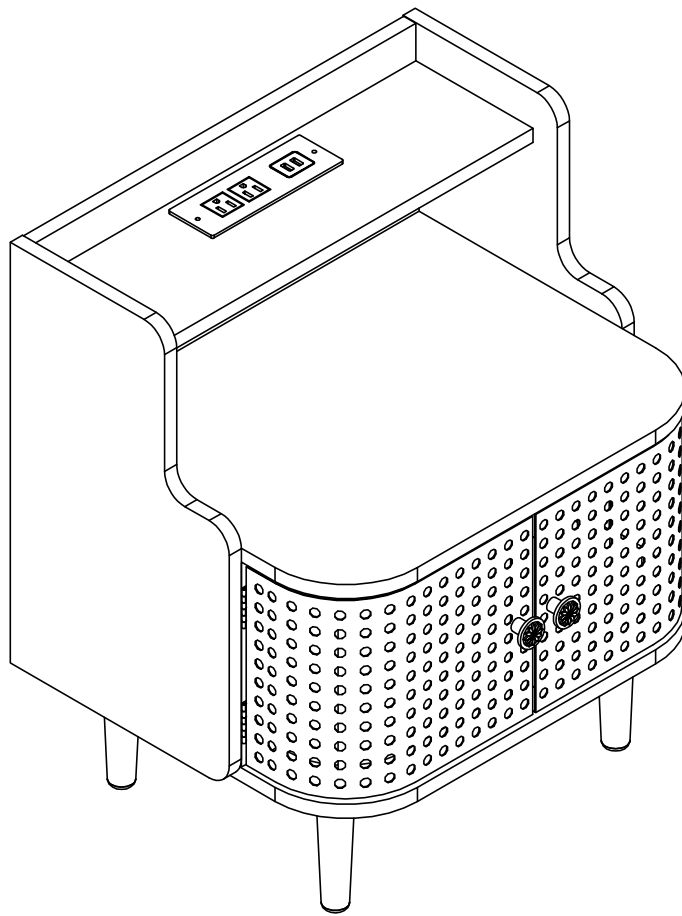


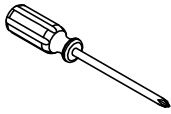
Installation Instruction



Assembling

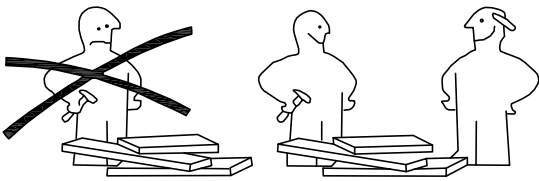
What you need

- Use the packaging carton as a working surface to prevent product damage during assembly
- Phillips head screwdriver



Weight Limitation

 **100** | **35**
lbs table top lbs per

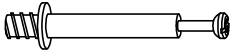


What' included

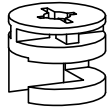
Code	Description	Qty
A	Cam Bolt M6X35MM	14
B	Cam Lock 15X9MM	14
C	Wooden Dowel M8X30MM	8
D	Screw M4X40MM	4
E	Screw M6X25MM	4
F	Gasket	2
G	Screw M3.5X14MM	18
H	Screw M3.0X14MM	30
I	Cam Bolt M4X18MM	2
J	Retro handle	2
K	Ron absorption	2
L	Extension cord	1
M	Foot nail	4
N	Circular hole Decals	14
O	Four-hole iron sheet	4
P	Three-fold iron sheet	4
Q	The back button	8
R	Anchor	2
S	Nylon Strap	2
T	Wrench M4X55MM	1

The Hardwares

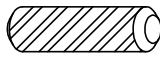
Ⓐ



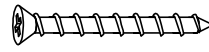
Ⓑ



Ⓒ



Ⓓ



Ⓔ



Ⓕ



Ⓖ



Ⓗ



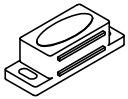
Ⓘ



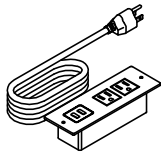
Ⓙ



Ⓚ



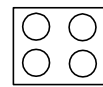
Ⓛ



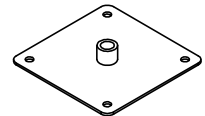
Ⓜ



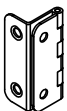
Ⓝ



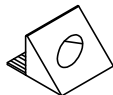
Ⓞ



Ⓟ



Ⓠ



Ⓡ



Ⓢ



Ⓣ



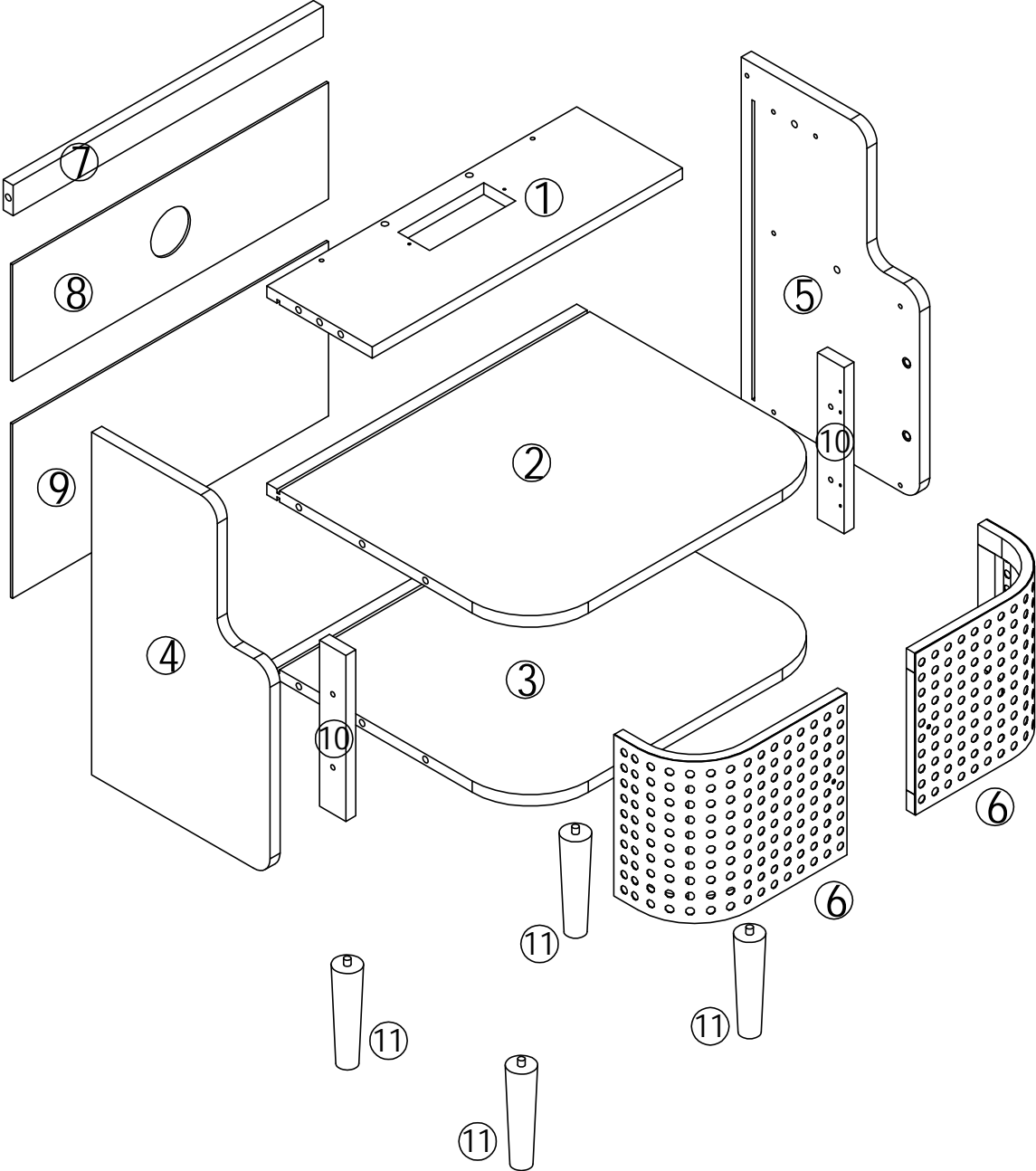
IMPORTANT:

1. Do not tighten bolts / screws completely until all bolts / screws are lined up and inserted into holes.
2. Do not over tighten screws and bolts to avoid stripping
3. Please use hand tools to assemble this product, you can also use power tools (please use power tools carefully).

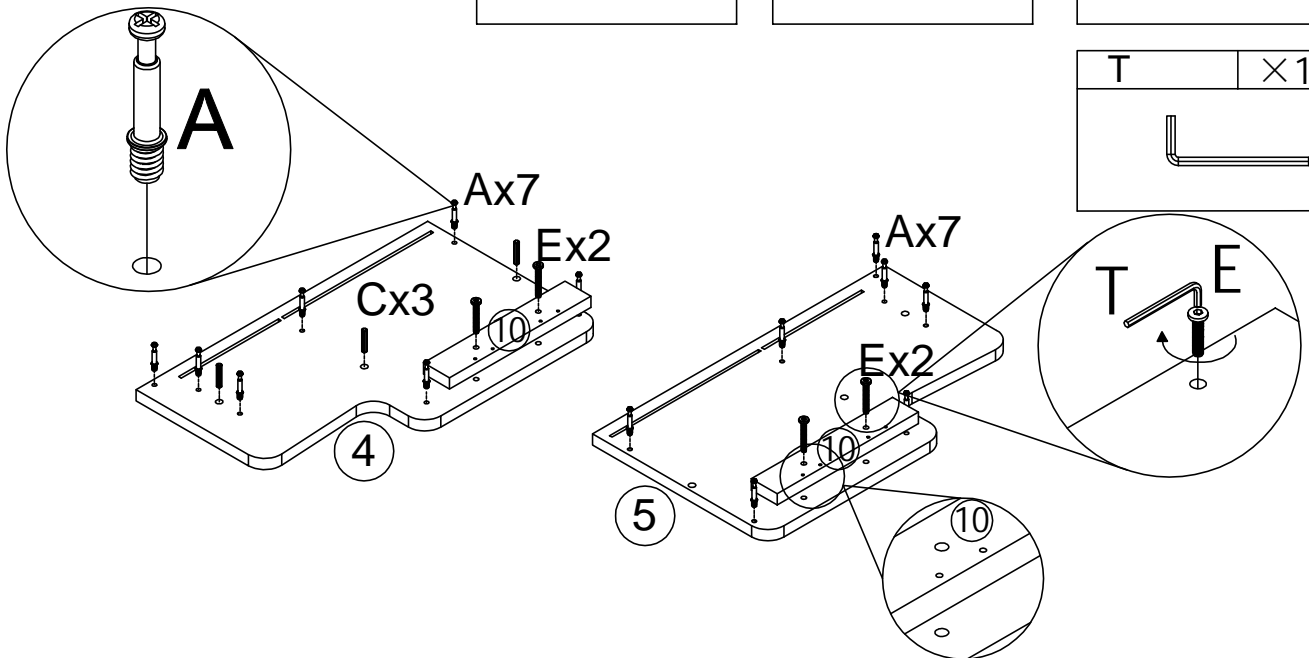
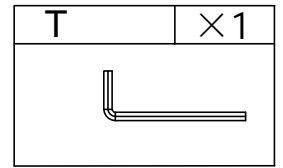
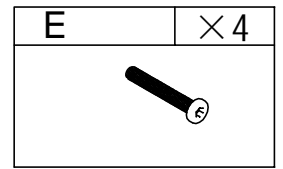
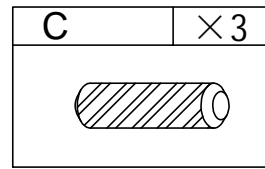
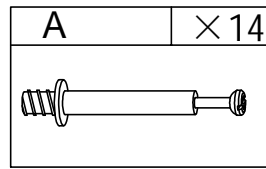
Included Accessories

Code	Description	Qty
1	Cabinet Top	1
2	Middle panel	1
3	Bottom Panel	1
4	Left panel	1
5	Right panel	1
6	Iron Vine Gate	2
7	Baffle plate	1
8	Back panel	1
9	Back panel	1
10	Reinforcing clause	2
11	Solid wood feet	4

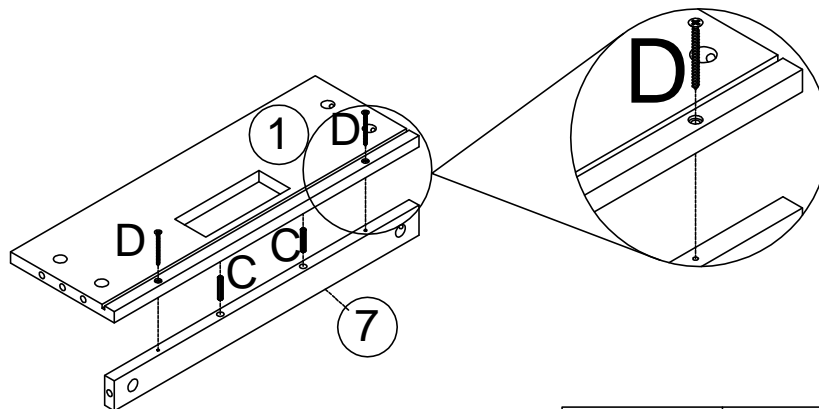
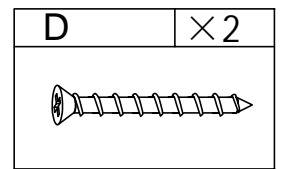
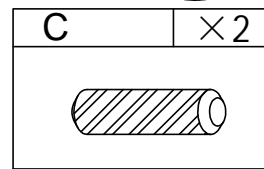
The Accessoriess



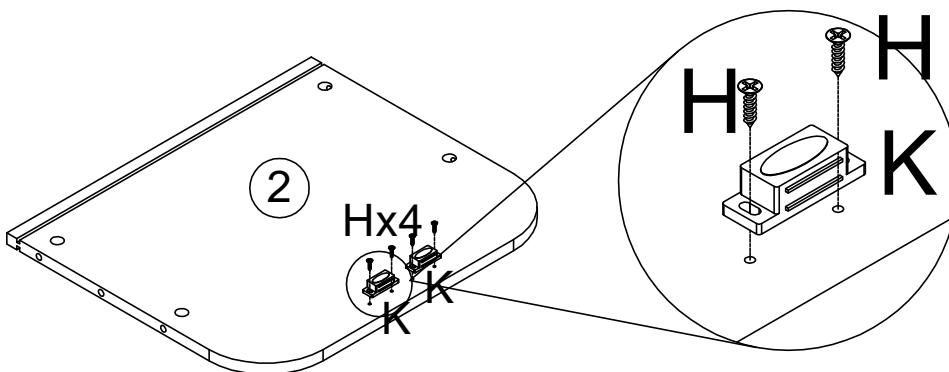
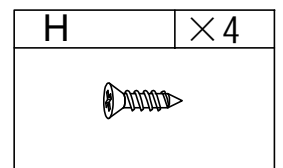
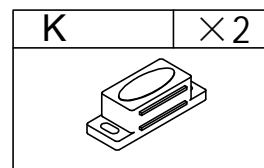
Step 1



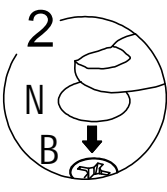
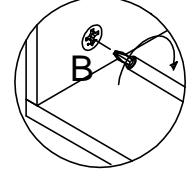
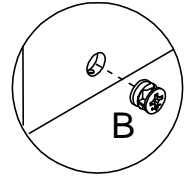
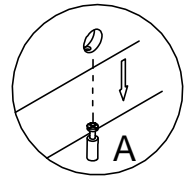
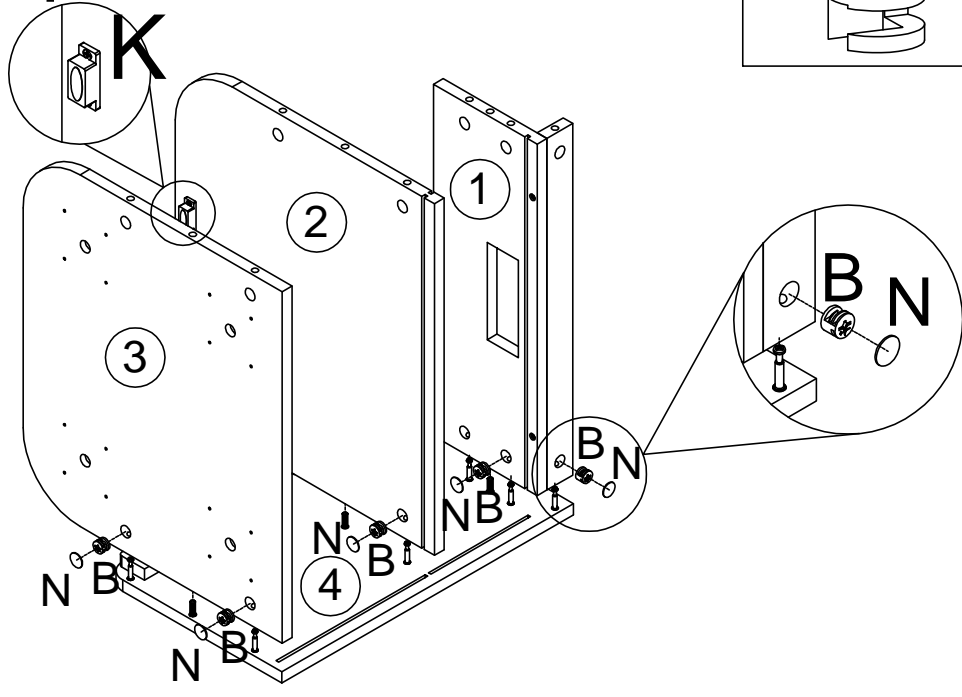
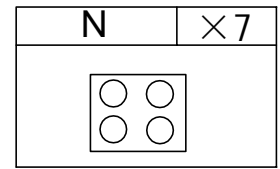
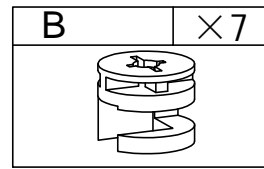
Step 2



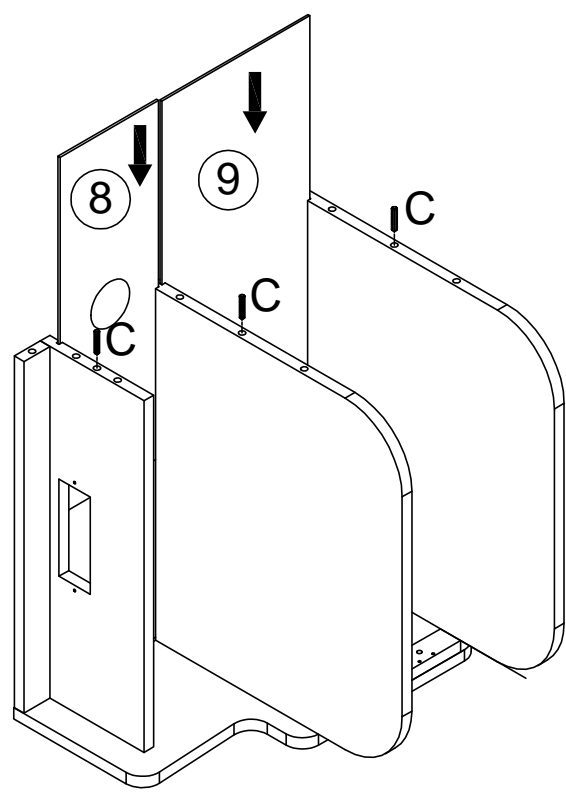
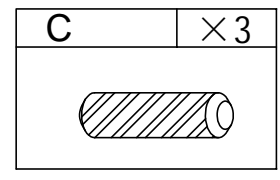
Step 3



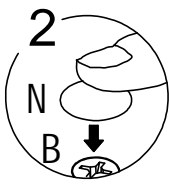
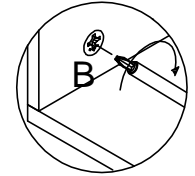
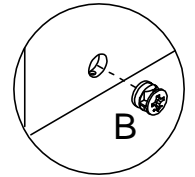
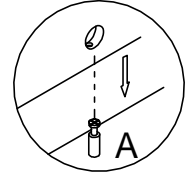
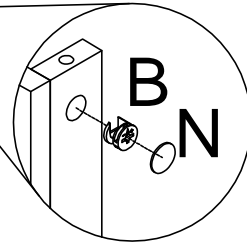
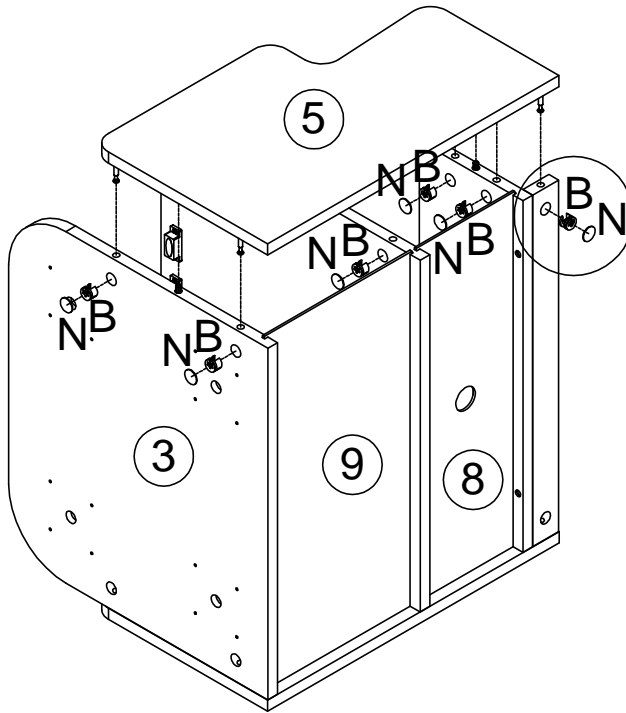
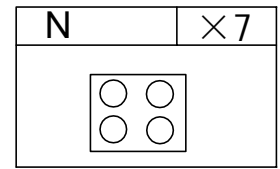
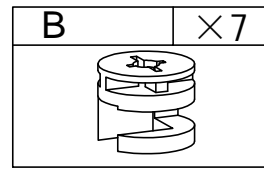
Step 4



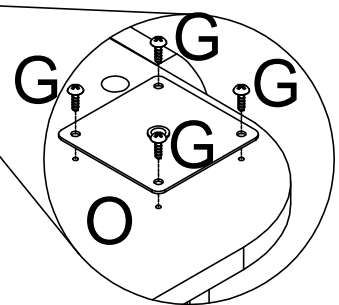
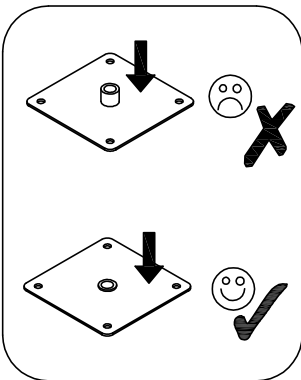
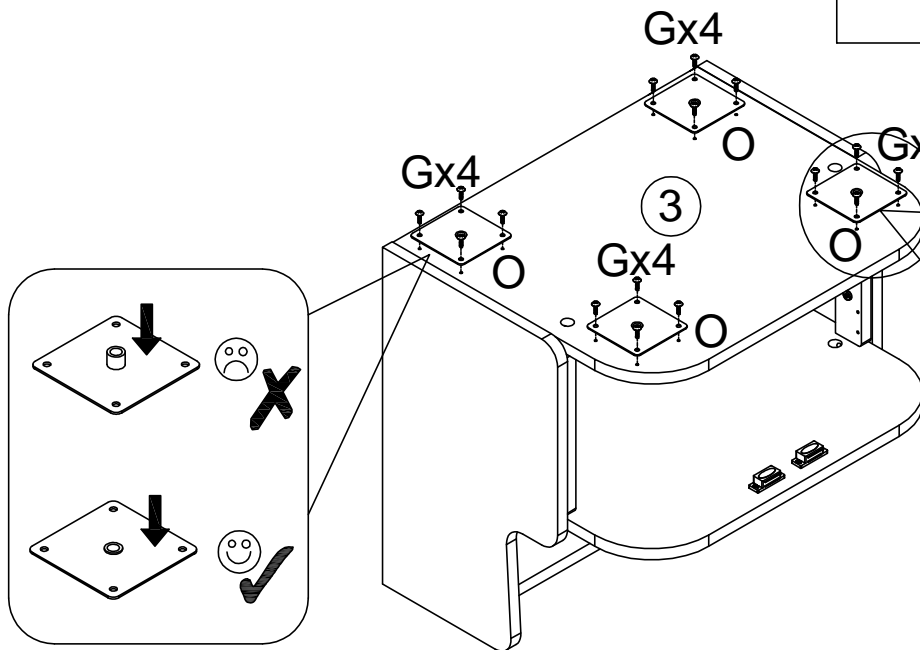
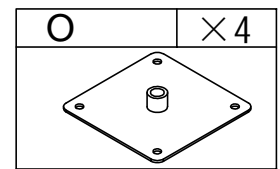
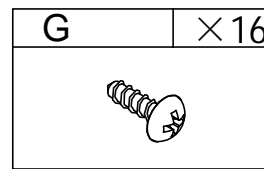
Step 5



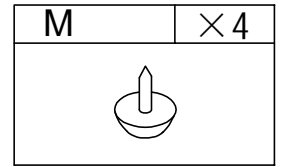
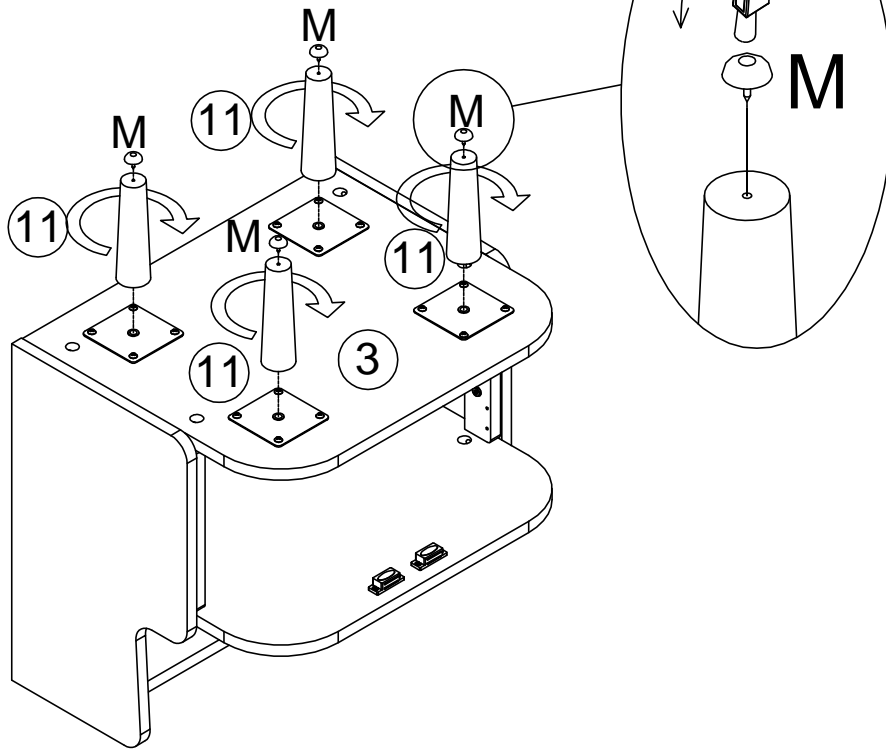
Step 6



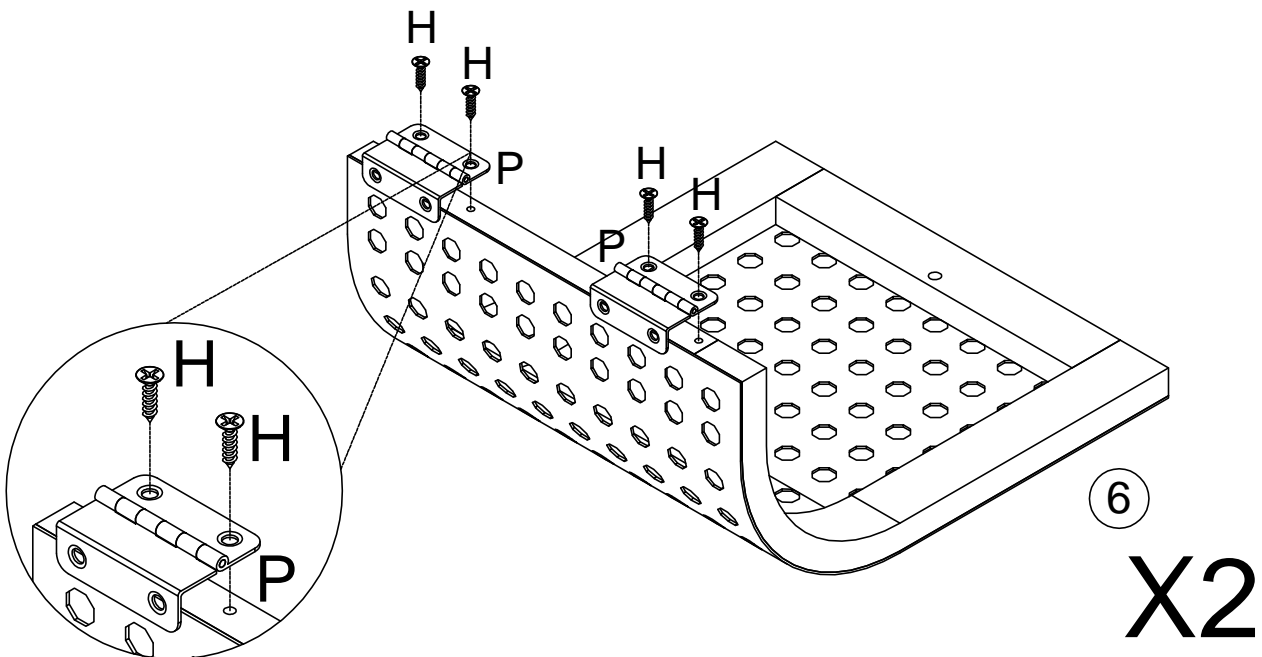
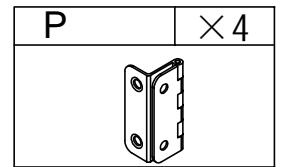
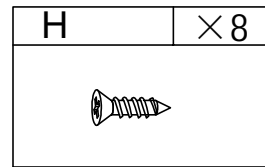
Step 7




Step 8





Step 9




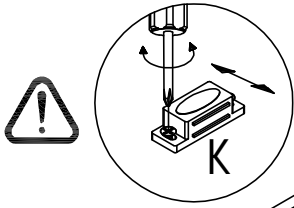
Step 10

H	×8
	

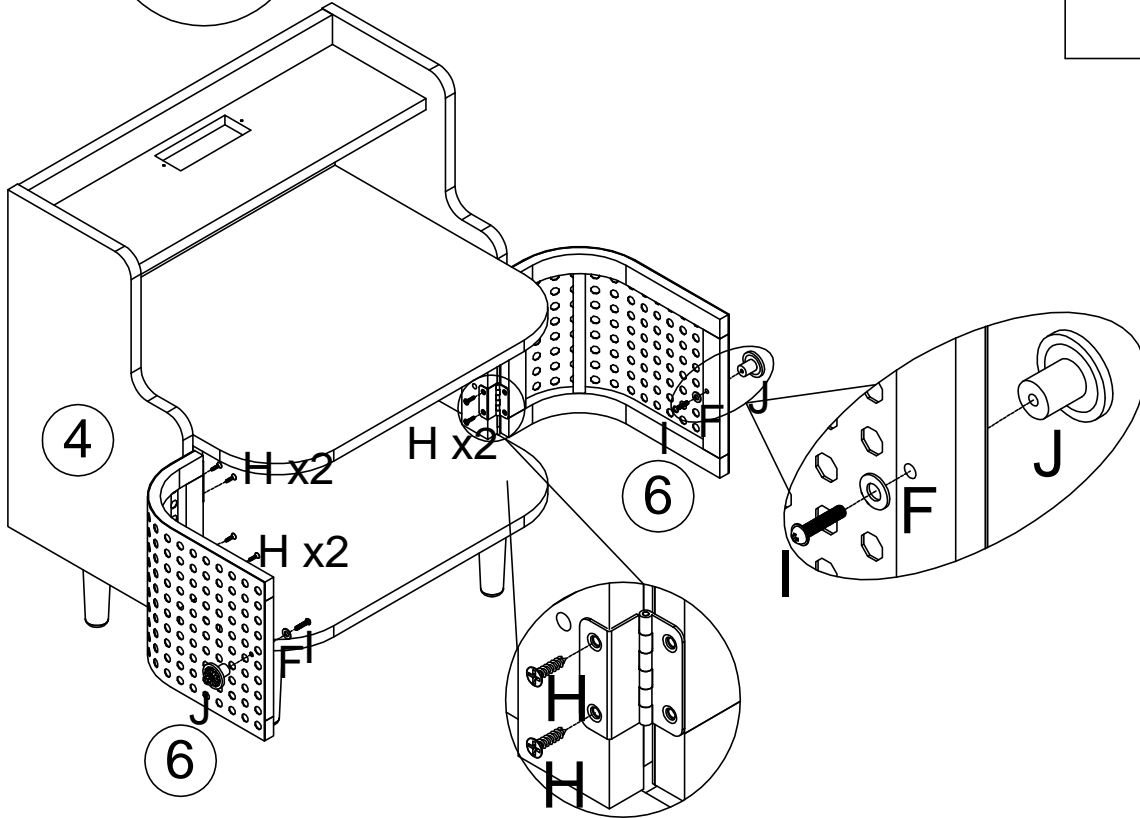
I	×2
	

J	×2
	

F	×2
	

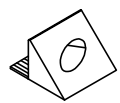



If the magnet does not absorb the door or is too protruding, please adjust the hardware K as shown

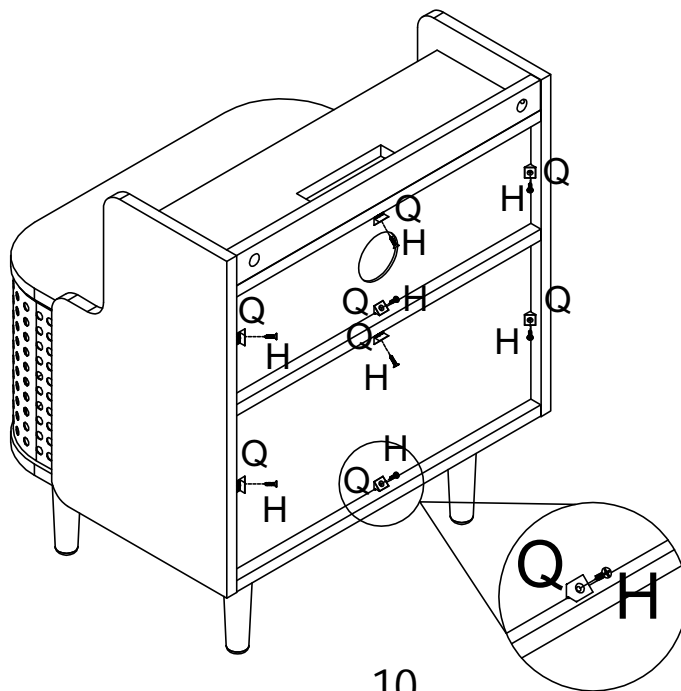


Attention! If screw (I) is too short to lock handle (J), remove washer (F), ignore this prompt if it can be locked

Step 11

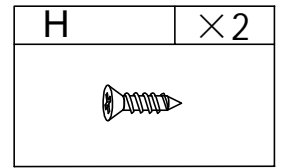
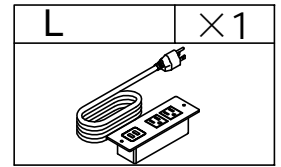
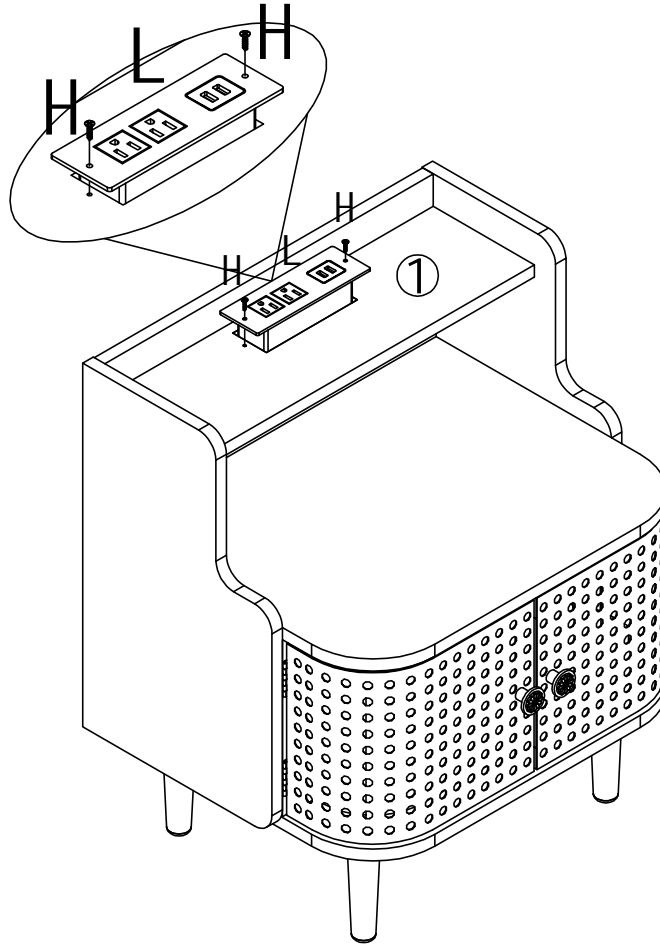
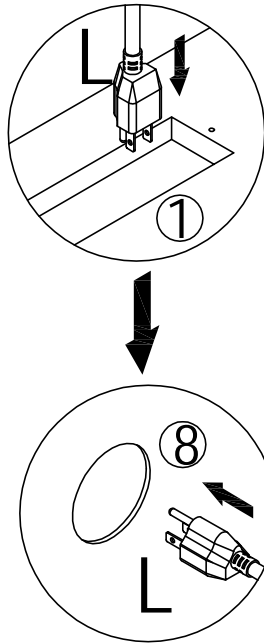
Q	×8
	

H	×8
	

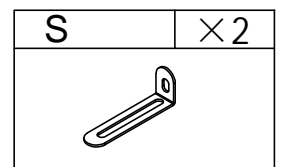
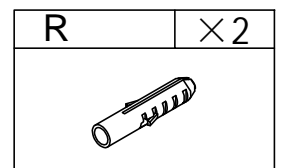
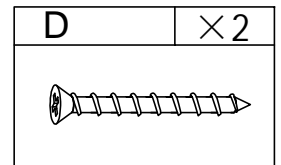
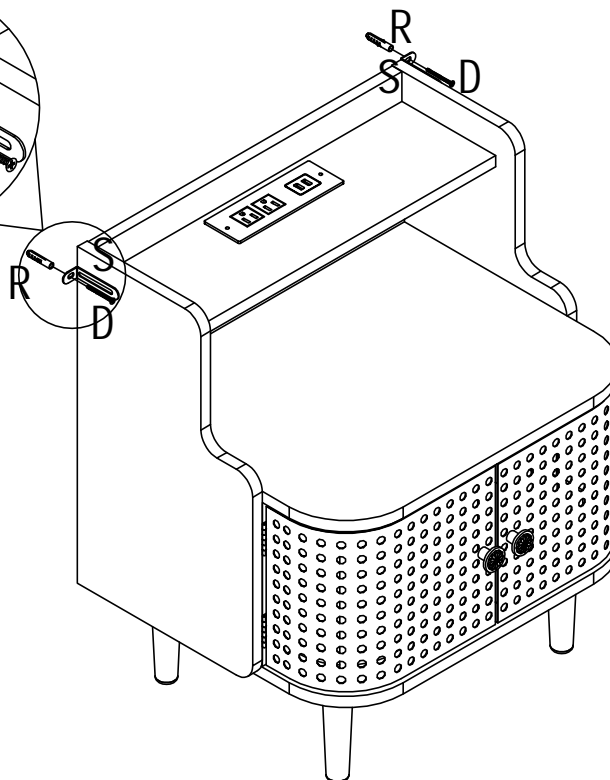
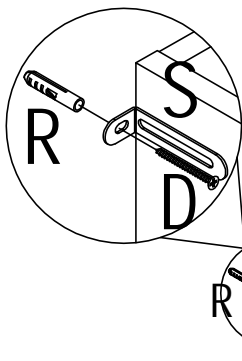


If the door is uneven after installation, you can adjust the cabinet body to make the door level and then install the hardware Q

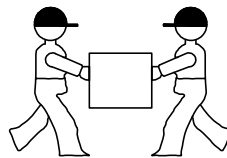
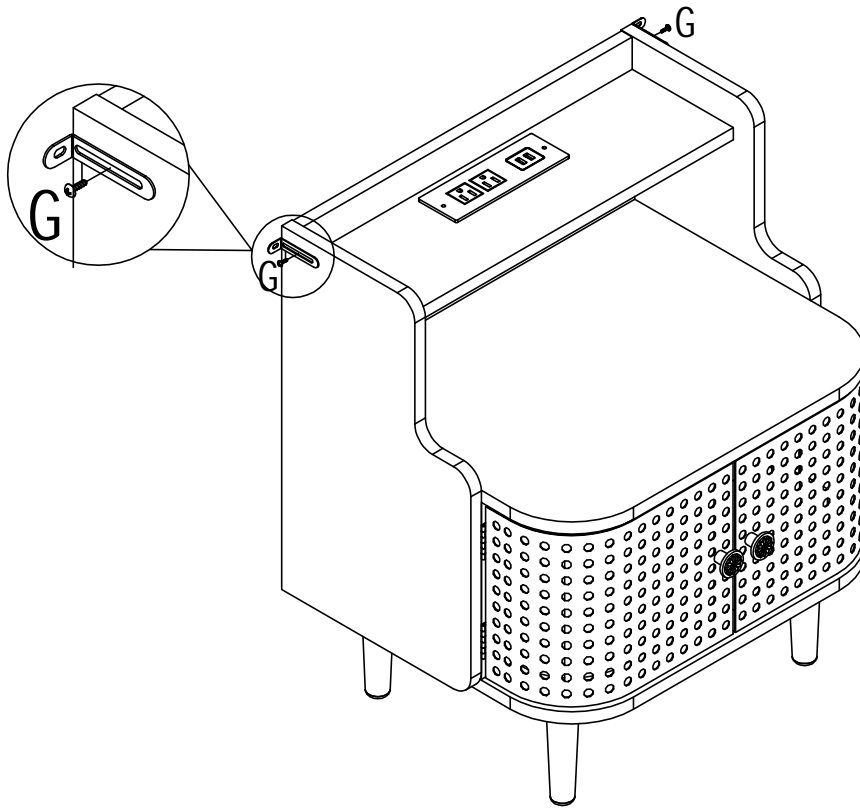
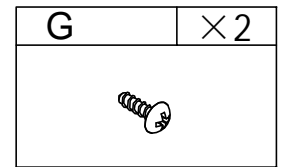
Step 12



Step 13



Step 14



Two people work together to move the table.
Make sure you lift it off the ground.
Don't push and pull.