

Long Arm Wall Mount Designed for Starlink

SKU: MOUNT-SLINK2

Instruction Manual

Assembly Video & Product Info
www.vivo-us.com/products/mount-slink2



! CAUTION! !

If you do not understand these directions, or if you have any doubts about the safety of the installation, please contact our product support team at 309-278-5303 or help@vivo-us.com for further assistance. Check carefully to make sure there are no missing or defective parts. Improper installation may cause damage or serious injury. Do not use this product for any purpose that is not explicitly specified in this manual. Do not exceed weight capacity. We cannot be liable for damage or injury caused by improper mounting, incorrect assembly or inappropriate use.



WARNING: CHOKING HAZARD

SMALL PARTS - NOT FOR CHILDREN UNDER 3 YEARS. ADULT SUPERVISION IS REQUIRED.



DO NOT EXCEED WEIGHT CAPACITY

FAILURE TO DO SO MAY RESULT IN SERIOUS INJURY.



WARNING: DO NOT INSTALL INTO DRYWALL ALONE

VERIFY YOUR WALL CONSTRUCTION. USE WOOD STUDS TO MOUNT. We include mounting for brick and concrete walls. If unsure, please contact us at vivo-us.com, email at help@vivo-us.com, or call us at 309-278-5303.

We're Here for You

Open **Monday - Friday 7:00am - 7:00pm CST**, our dedicated support team can offer immediate assistance with rapid response times. If any parts are received damaged or defective, please contact us. We are happy to replace parts to ensure you have a fully functioning product.



Give us a Call:
309-278-5303

AVG. RESOLUTION TIME (*within office hrs*): **5M 4S**



Chat Us:
www.vivo-us.com

AVG. RESOLUTION TIME (*within office hrs*): **< 15 M**

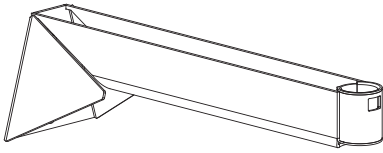


Email Us:
help@vivo-us.com

AVG. RESPONSE TIME (*within office hrs*): **1HR 8M**

- 23% within < 15m
- 38% within < 30m
- 61% within < 1hr
- 83% within < 2hr
- 92% within < 3hr

Package Contents



A (x1)
Wall Mount

Included Hardware & Tools



W-A (x2)
ST8x90mm
Screw



W-B (x2)
Concrete
Anchor

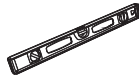


W-C (x2)
M8 Washer

Tools Needed:



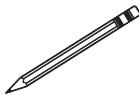
Stud Finder



Level



Drill
(0.25" or 0.5" drill bit)



Pencil



Socket Wrench
(8mm Socket)

Weight Capacity:

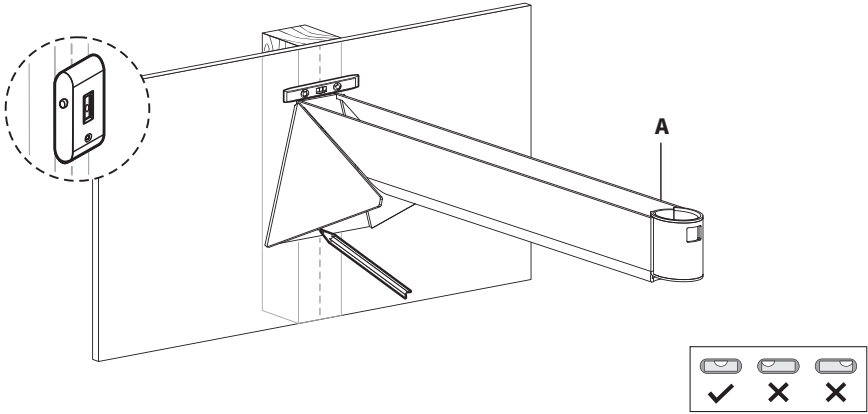


ASSEMBLY STEPS

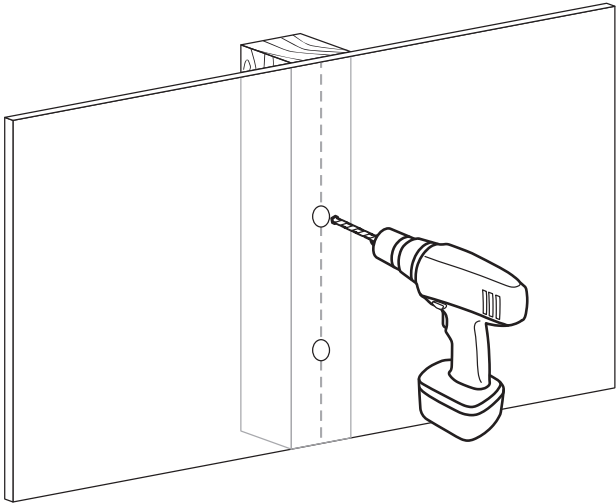
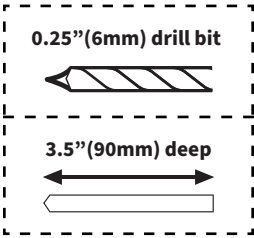
STEP 1

WOOD STUD INSTALLATION

Use a stud finder to locate stud. Hold Wall Mount (A) on the wall while using a level to make sure Wall Mount is level, then mark drilling locations using a pencil.

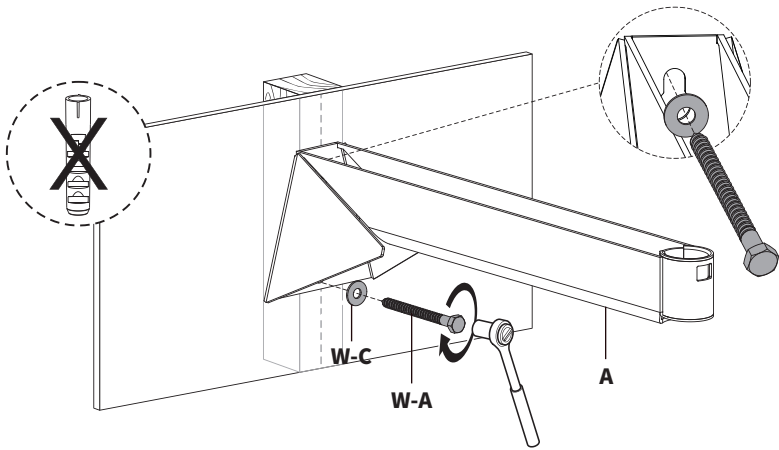


Using a drill and a 0.25" (6mm) drill bit, drill approximately 3.5" (90mm) deep into marked locations.



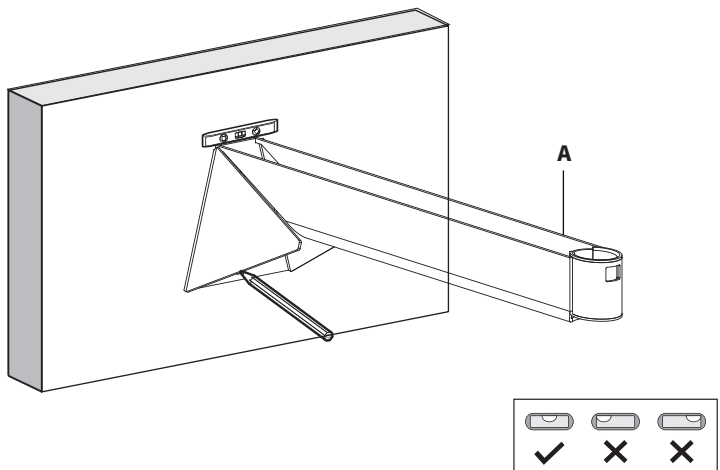
Wood Stud Cont'd

Secure Wall Mount **(A)** to wall using ST8x90mm Screws **(W-A)**, M8 Washers **(W-C)**, and a socket wrench.



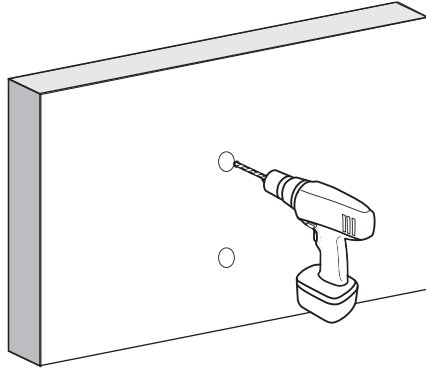
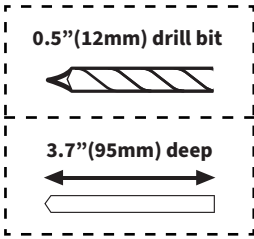
CONCRETE/BRICK INSTALLATION

Hold Wall Mount **(A)** on the wall while using a level to make sure Wall Mount is level, then mark drilling locations using a pencil.

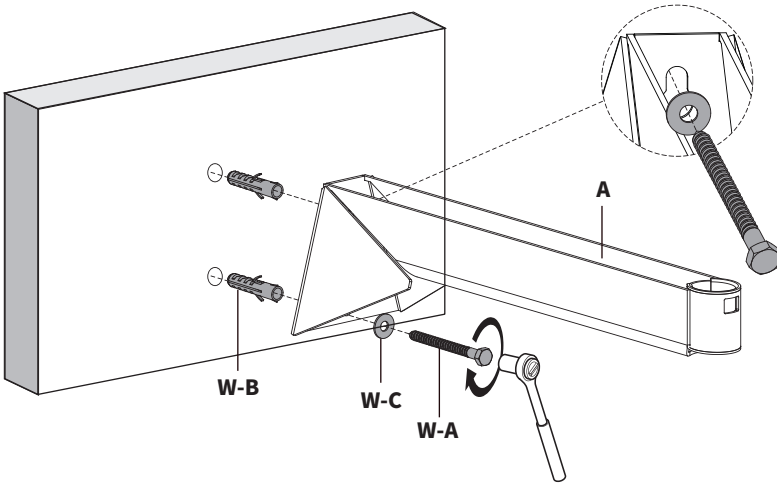


Concrete/Brick Cont'd

Using a drill and a 0.5" (12mm) drill bit, drill approximately 3.7" (95mm) deep into marked locations.

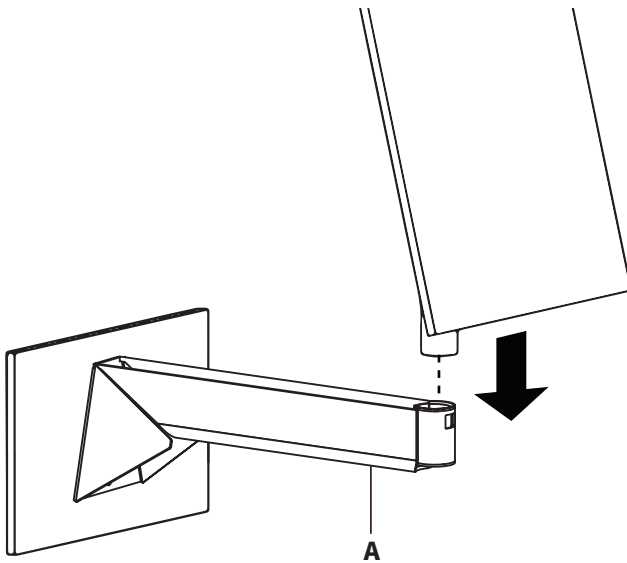


Press Concrete Anchors (**W-B**) into holes and secure Wall Mount (**A**) to wall using ST8x90mm Screws (**W-A**), M8 Washers (**W-C**), and a socket wrench.

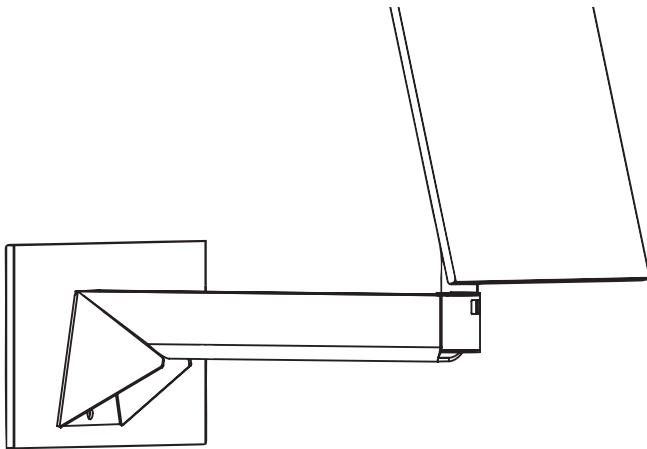


STEP 2

Install the Starlink mast into the Wall Mount **(A)**.



Plug the Starlink cable into the Starlink, then route the cable as needed.





Need Help? Get In Touch

Monday-Friday from 7:00am-7:00pm CST



help@vivo-us.com



www.vivo-us.com

Chat live with an agent!



309-278-5303



VIVO-us @vivo_us