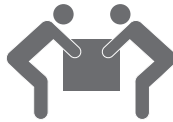


SAFETY INFORMATION



Please read and understand this entire manual before attempting to assemble, operate or install the product.

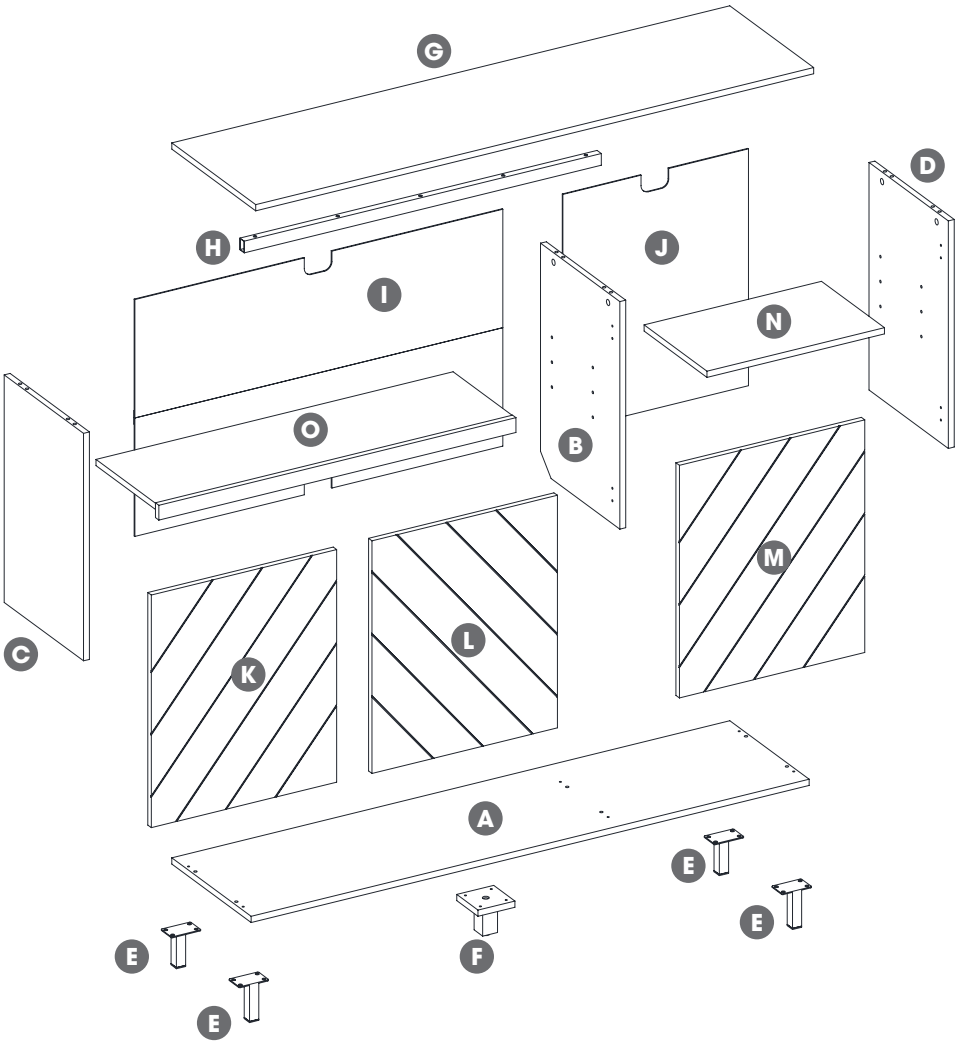


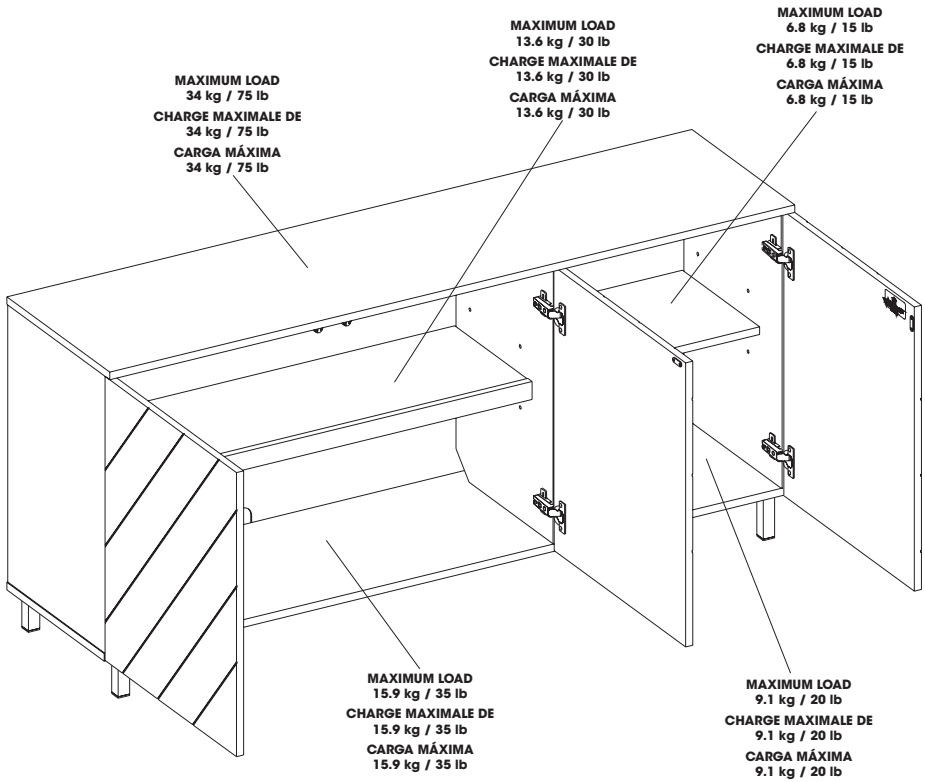
WARNING

- Some steps are more easily handled with two adults.

CAUTION

- Before assembly and/or installation, carefully unwrap all parts.
- Locate and set aside the hardware kit before discarding packaging.
- Use care when assembling your new product. Take your time and follow assembly instructions closely.





WARNING

For use with most flat panel televisions weighing 34 kg / 75 lb or less. Usage with televisions or loads heavier than the maximum weights specified may result in instability causing tip over resulting in death or serious injury.

HARDWARE

AA

[x6]



BB

[x6]



CC

[x12]



Ø8x30mm

DD

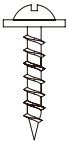
[x5]



Ø6.3x40mm

EE

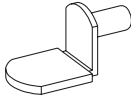
[x32]



Ø3x16mm

FF

[x8]



GG

[x12]



Ø3.5x15mm

HH

[x16]



Ø6.3x12mm

II

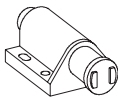
[x12]



Ø3x15mm

JJ

[x3]



KK

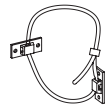
[x6]



Ø4x50mm

LL

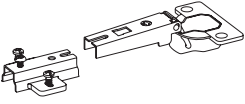
[x1]



HARDWARE

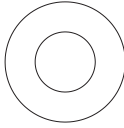
MM

[x6]



NN

[x5]



Ø16mm

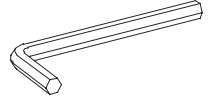
OO

[x6]



PP

[x1]



Wrench

QQ

[x4]



Ø4x25mm
PH-SCRBLK018

INSTALLED REPLACEMENT PARTS

RR

[x22]



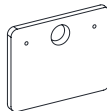
SS

[x1]



TT

[x3]

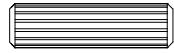


Metal Plate

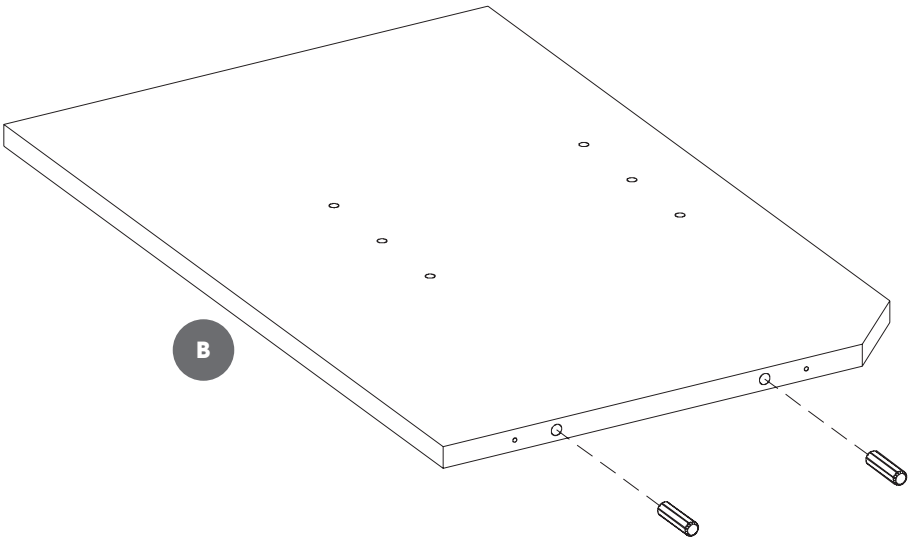
ATTENTION: Follow instructions in the order they are given below. This will ensure that your product is properly

1

CC

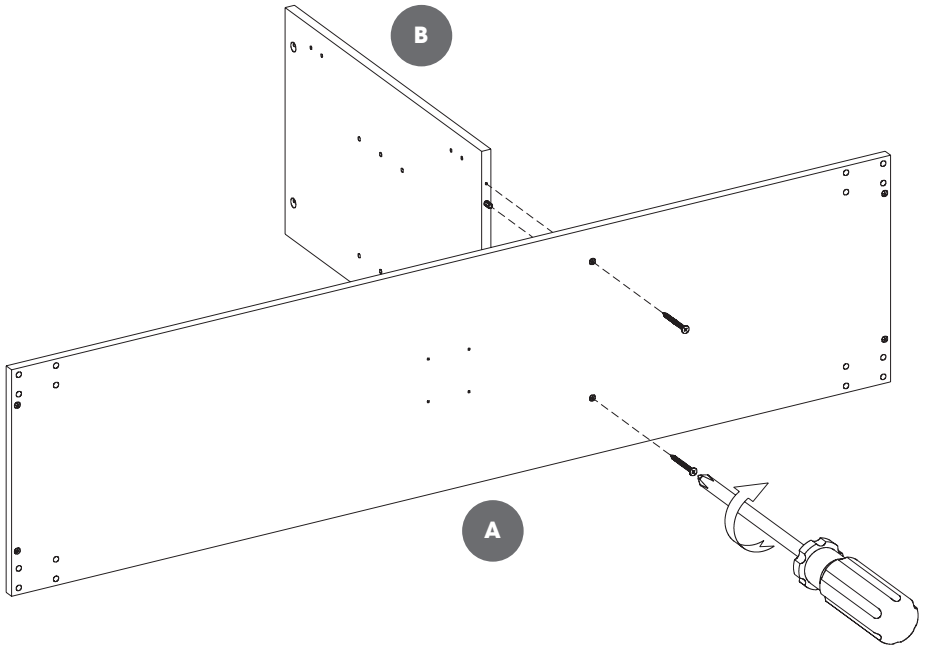


[x2]



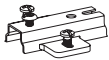
2

KK  [x2]

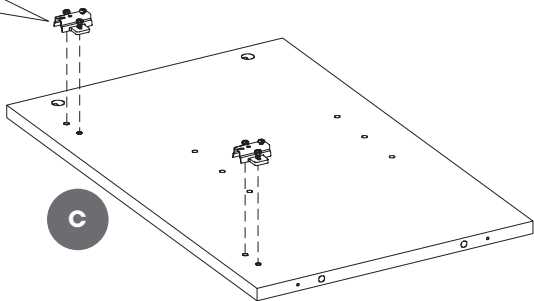
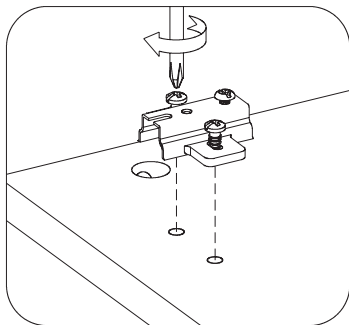


3

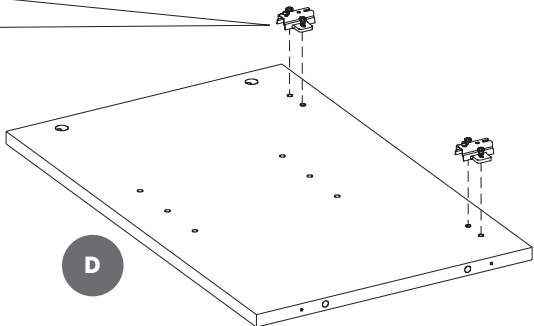
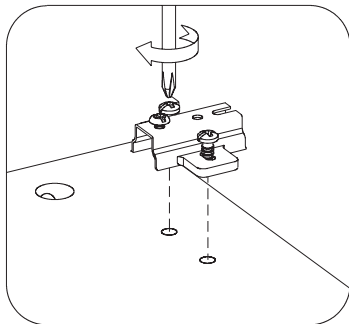
MM



[x4]



C



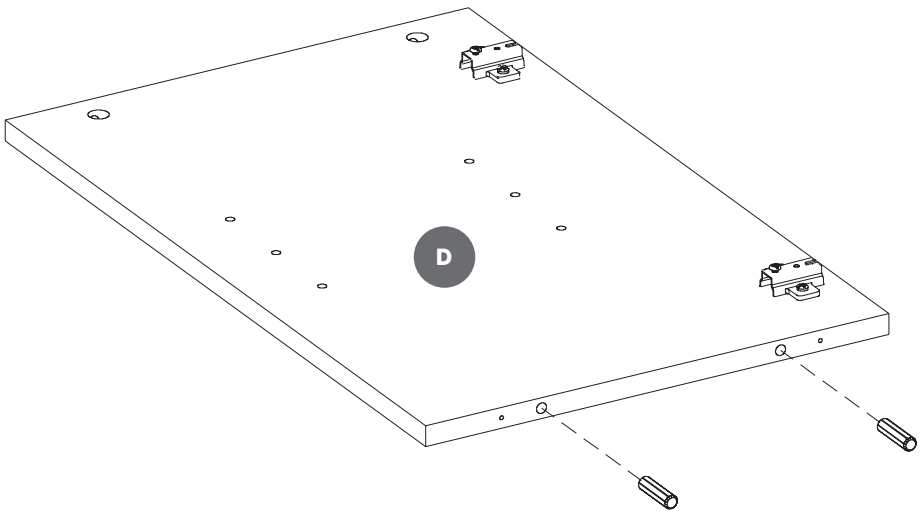
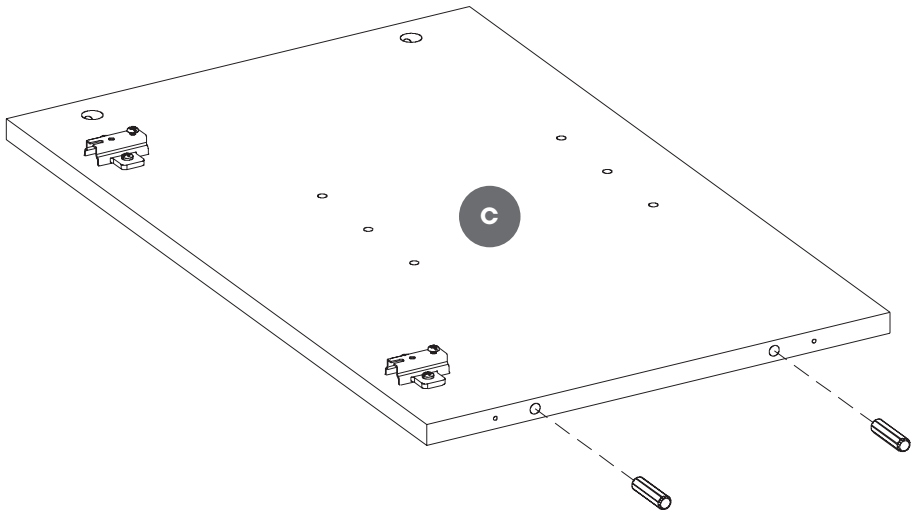
D

4

CC

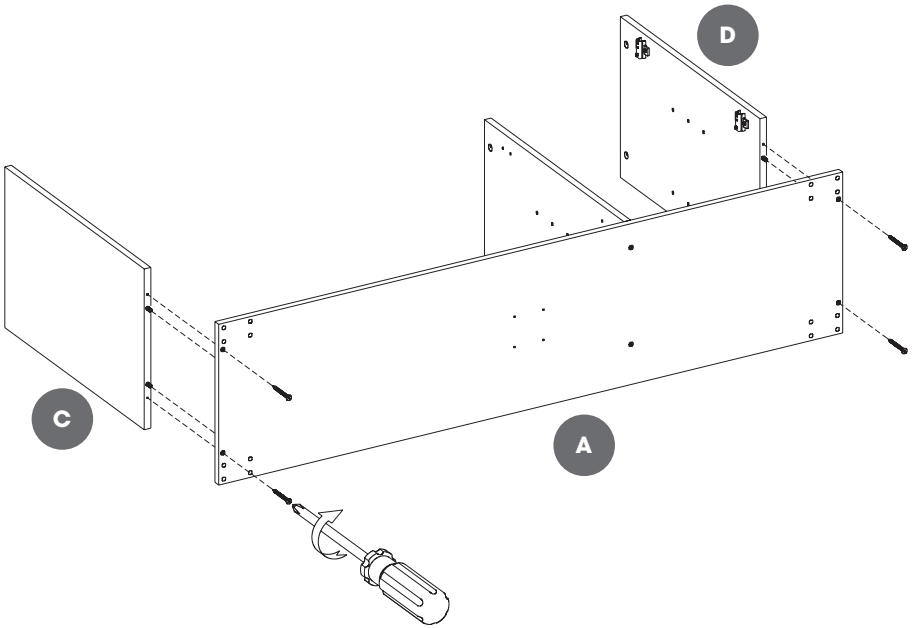


[x4]

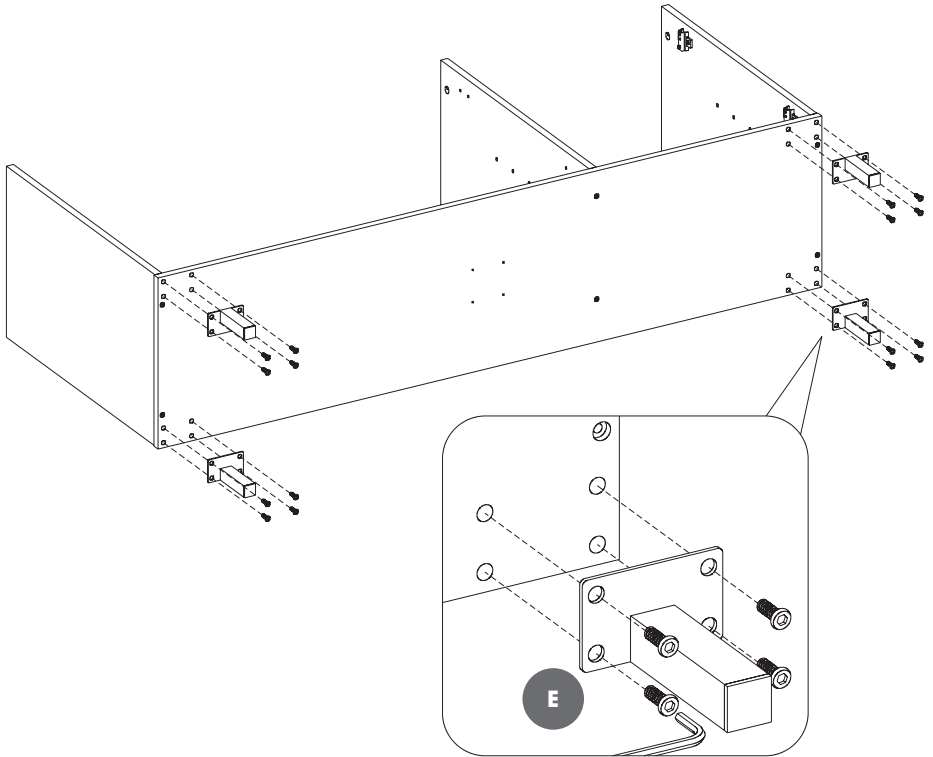
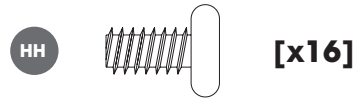


5

KK  [x4]



6

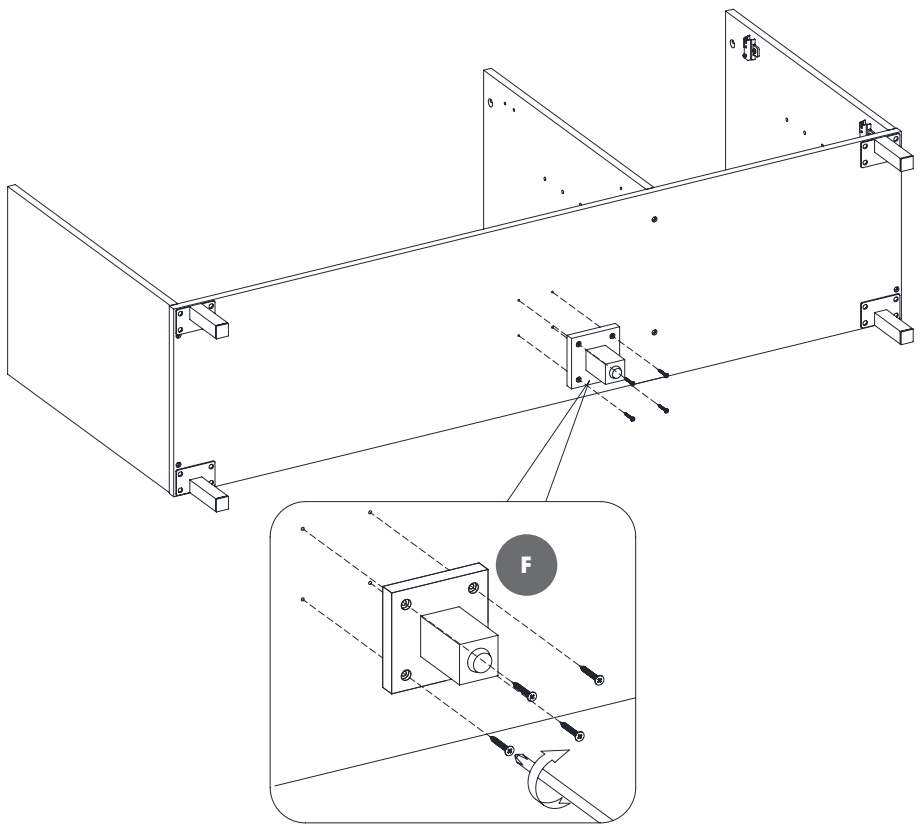


7

66

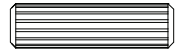


[x4]

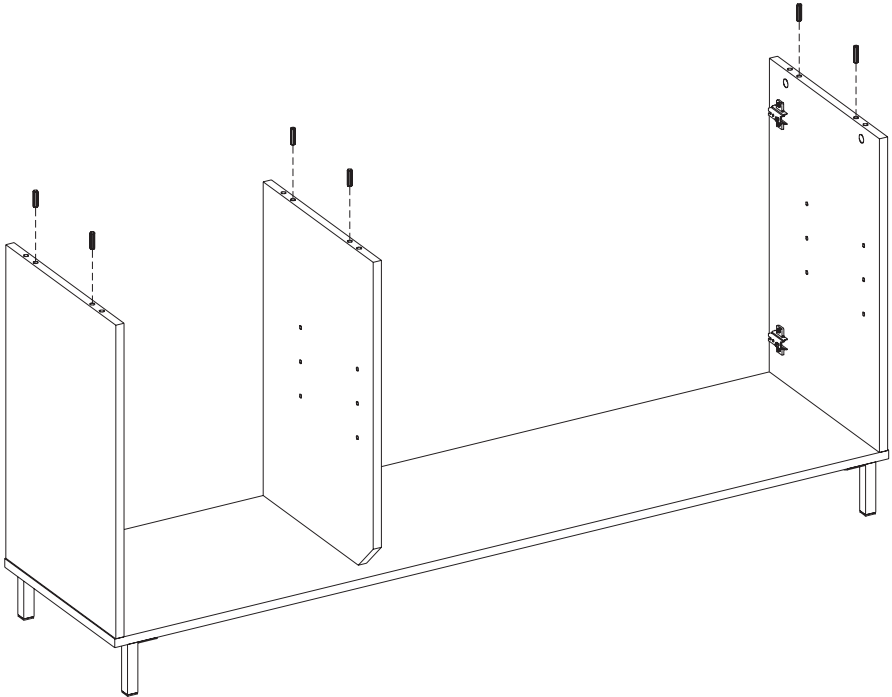


8

CC

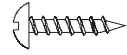


[x6]



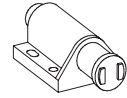
9

II

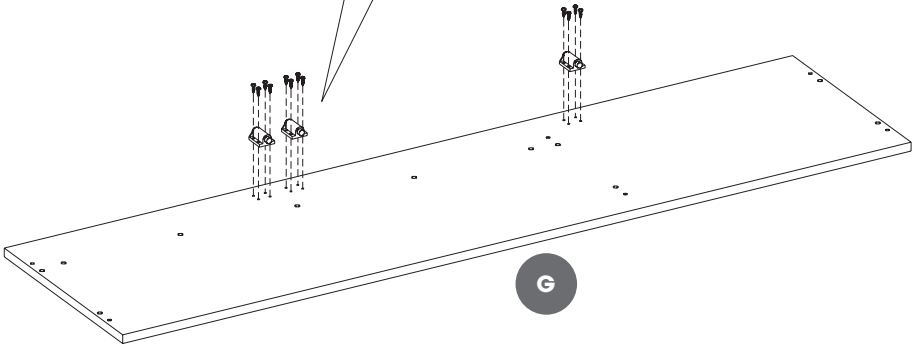
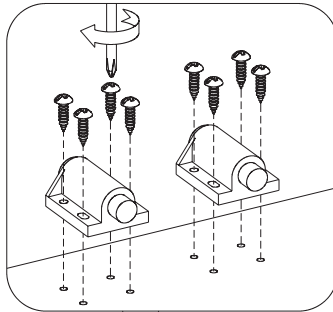


[x12]

JJ



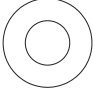
[x3]

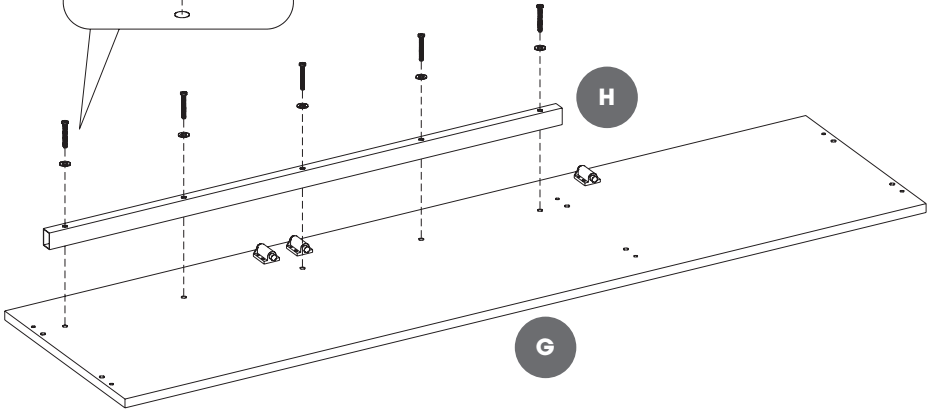
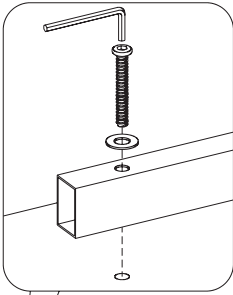


G

10

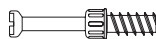
DD  [x5]

NN  [x5]

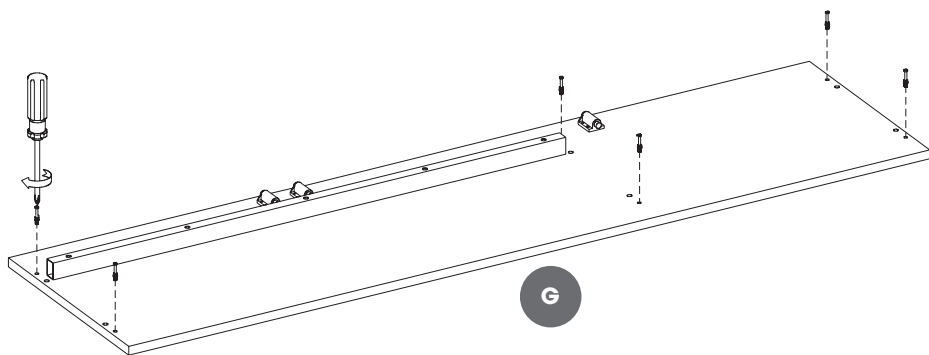


11

AA



[x6]

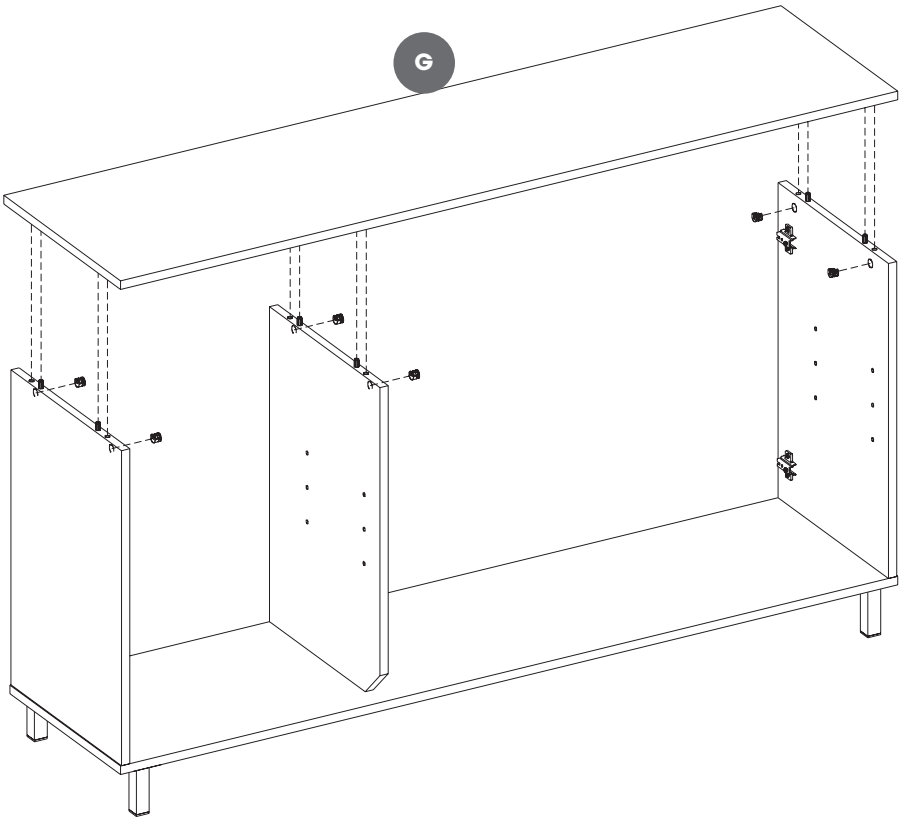
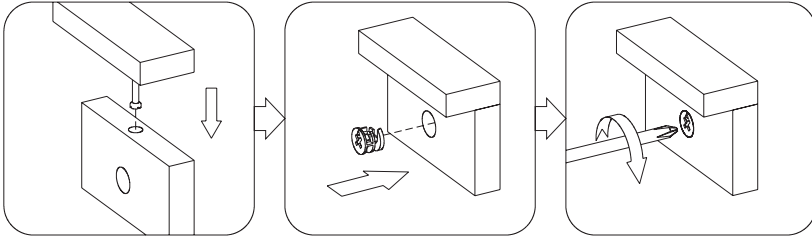


12

BB



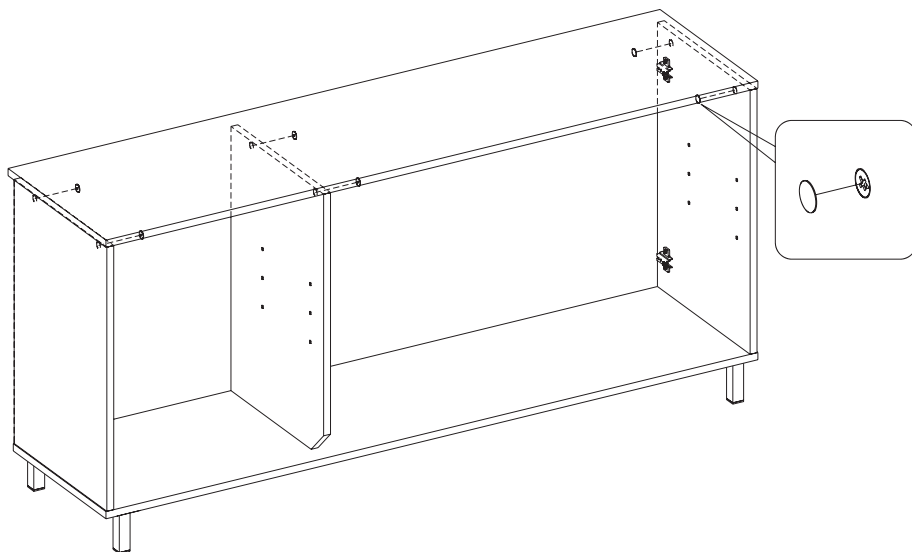
[x6]



13

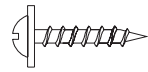


[x6]

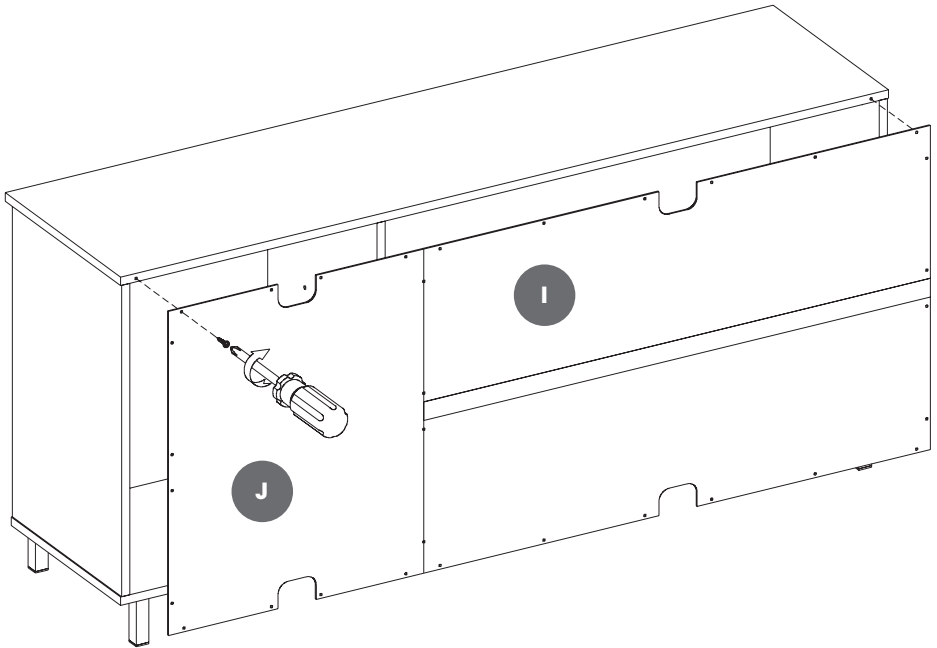


14

EE

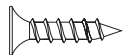


[x32]



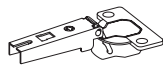
15

GG

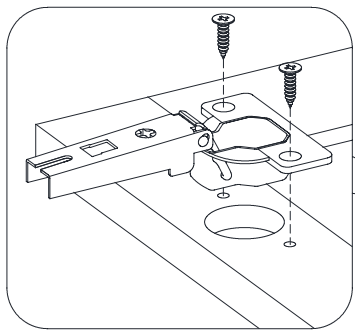
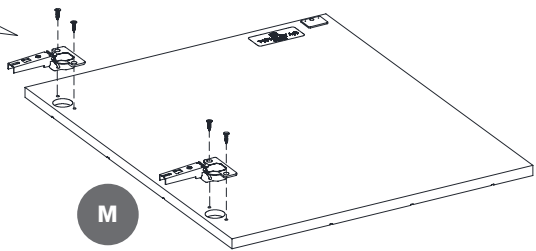
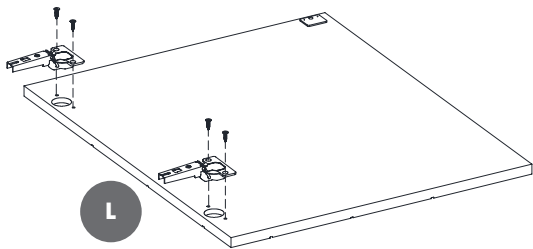
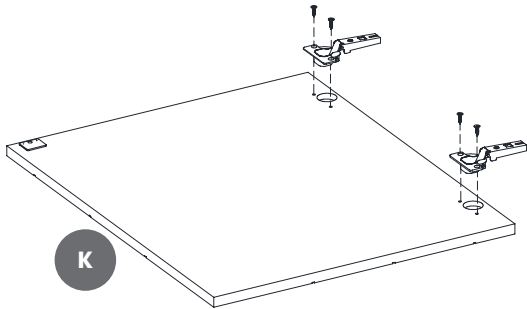


[x12]

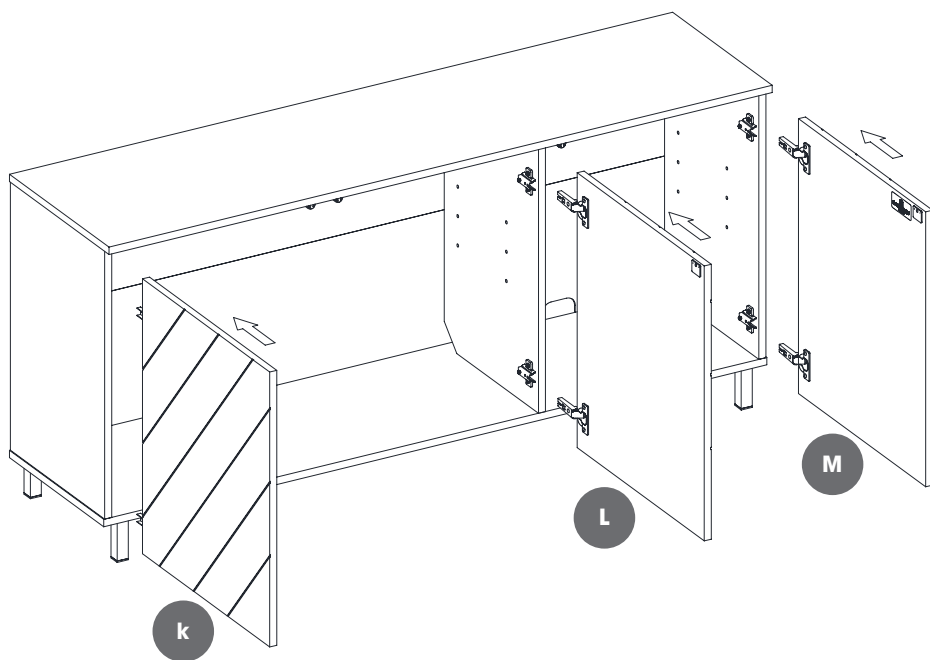
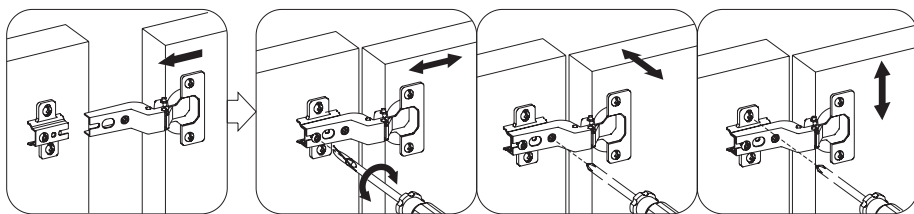
MM



[x6]

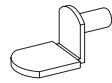


16

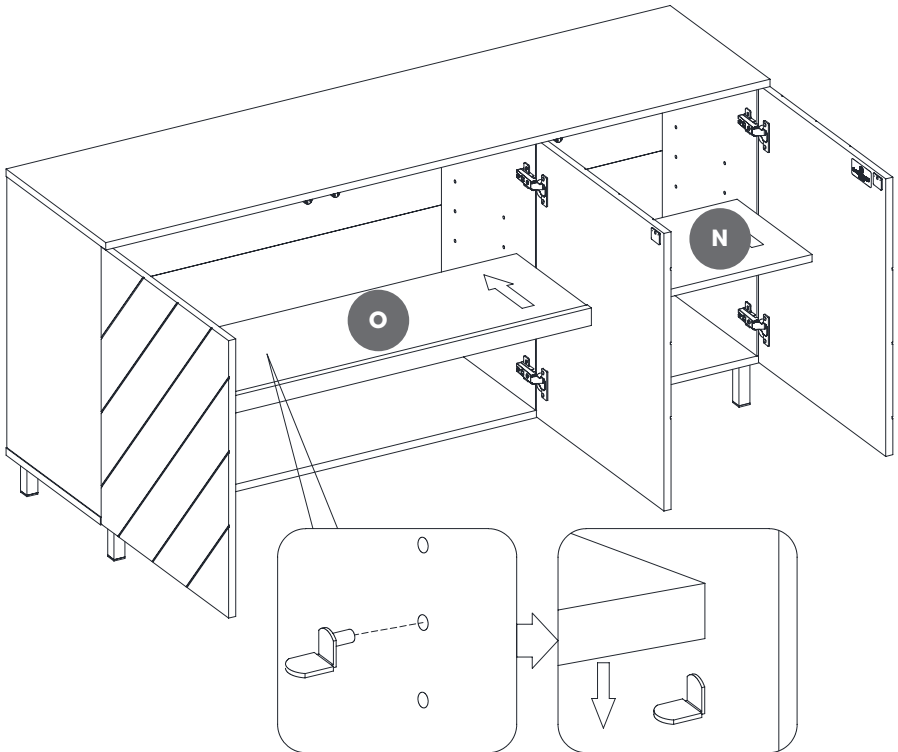


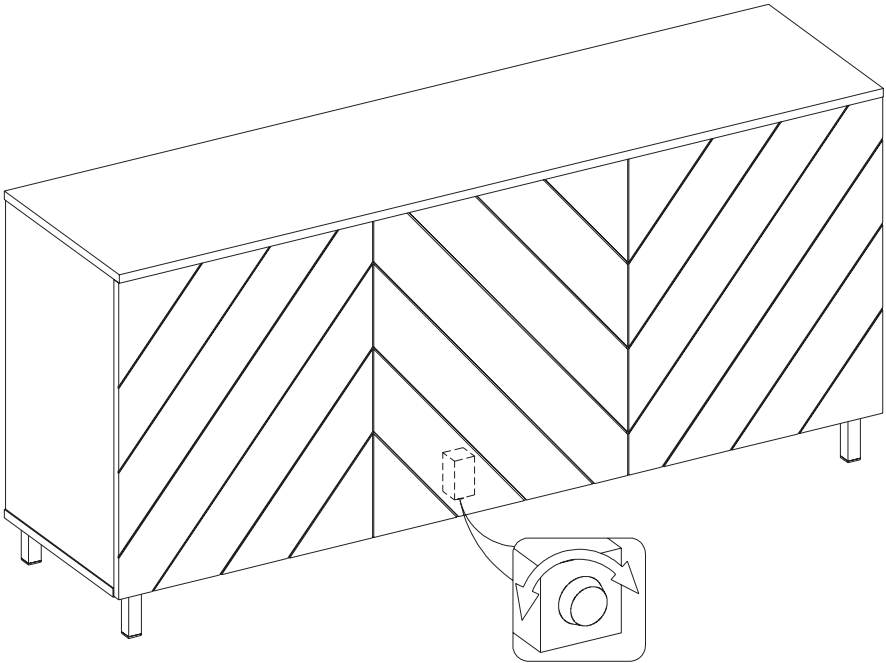
17

FF



[x8]

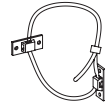




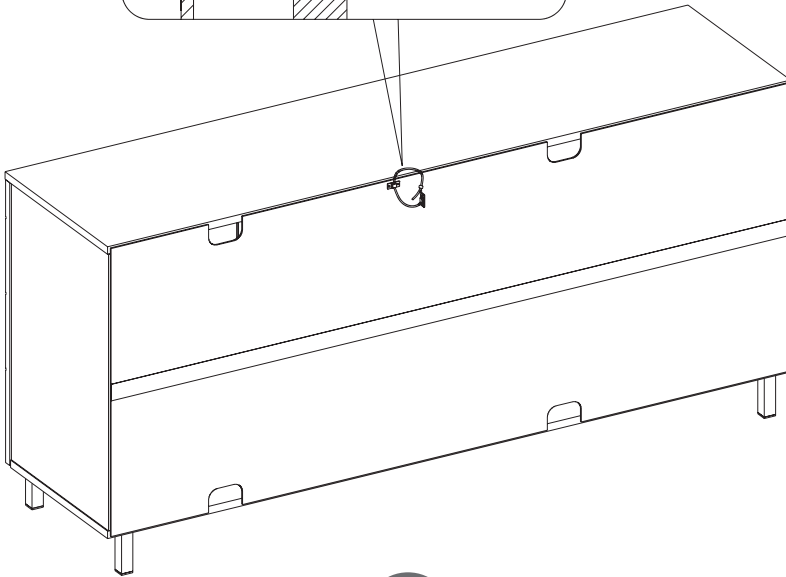
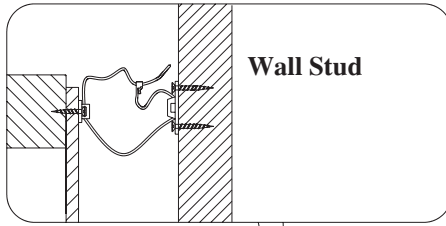
Note: It is very important that your unit is level in order for your doors to function properly. After moving your unit to its final location you may need to adjust the floor levelers.

19

LL



[x1]



Warning: You must install the tip restraint hardware to help prevent any accidents or damage to the unit. We strongly recommend attaching the tip restraint hardware to a wall stud and your unit. For all other wall types, please visit your local hardware store to obtain the proper hardware.

Care and Maintenance

- Use a soft, clean cloth that will not scratch the surface when dusting.
- Use of furniture polish is not necessary. Should you choose to use polish, test first in an inconspicuous area.
- Using solvents of any kind on your furniture may damage the finish.
- Never use water to clean your furniture as it may cause damage to the finish.
- Always use coasters under beverage glasses and flowerpots.
- Liquid spills should be removed immediately, as it may damage the furniture. Use a soft, clean cloth and blot the spill gently. Avoid rubbing.
- Always use protective pads under hot dishes and plates. Heat can cause chemical changes that may create spotting within the furniture.

Further advice about wood furniture care

It is best to keep your furniture in a climate-controlled environment. Temperature and humidity changes can cause fading, warping, shrinking and splitting of wood. It is advised to keep furniture away from direct sunlight as sun may damage the finish. Proper care and cleaning at home will extend the life of your purchase.

We hope you enjoy your purchase for many years. Thank you for your purchase!