
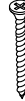
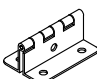

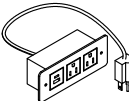

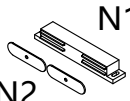
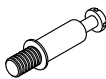

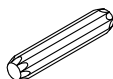

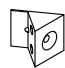

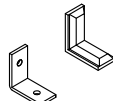
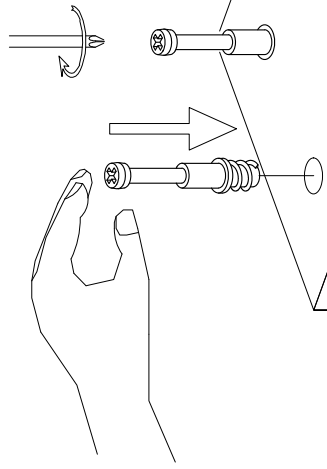


H  8*40 2PCS	I  4*50 2PCS	J  4PCS	K  4PCS	L  1PCS	M  6PCS	N  N1 N2 1PCS
A  26PCS	B  26PCS	C  6*30 32PCS	D  3.5*12 22PCS	E  4PCS	F  3*12 6PCS	G  2PCS

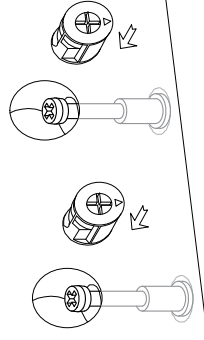
Hardware installation demonstration

NOTE: Please make sure "A" hardware tightened and can't be pulled out!

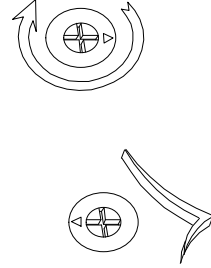
I



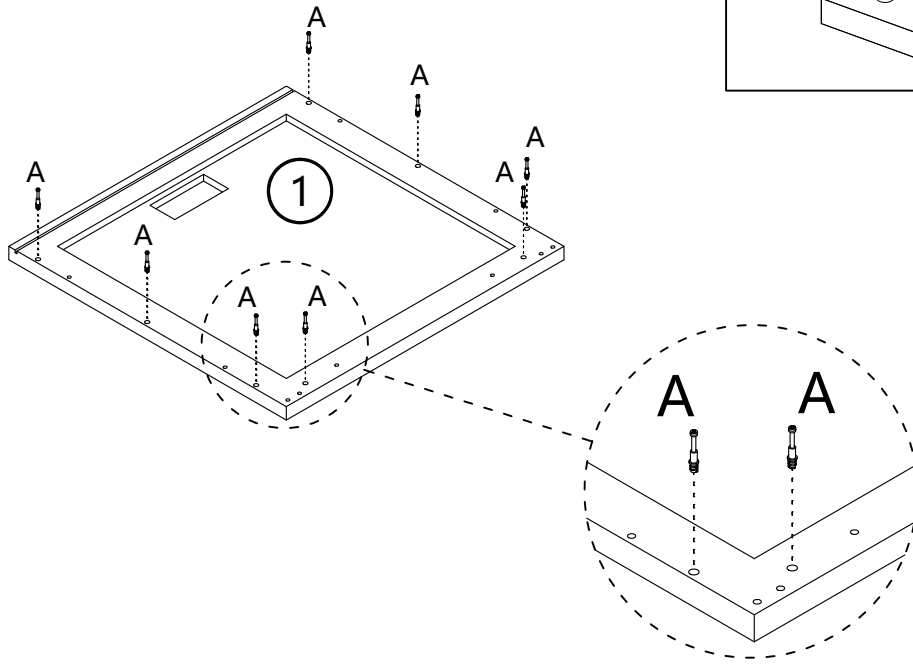
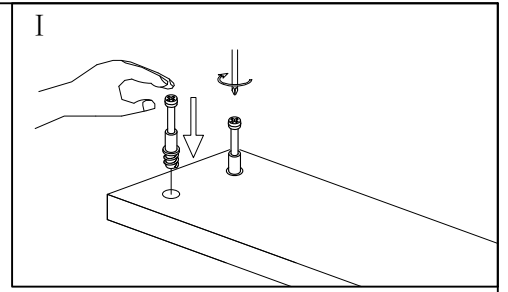
II



III

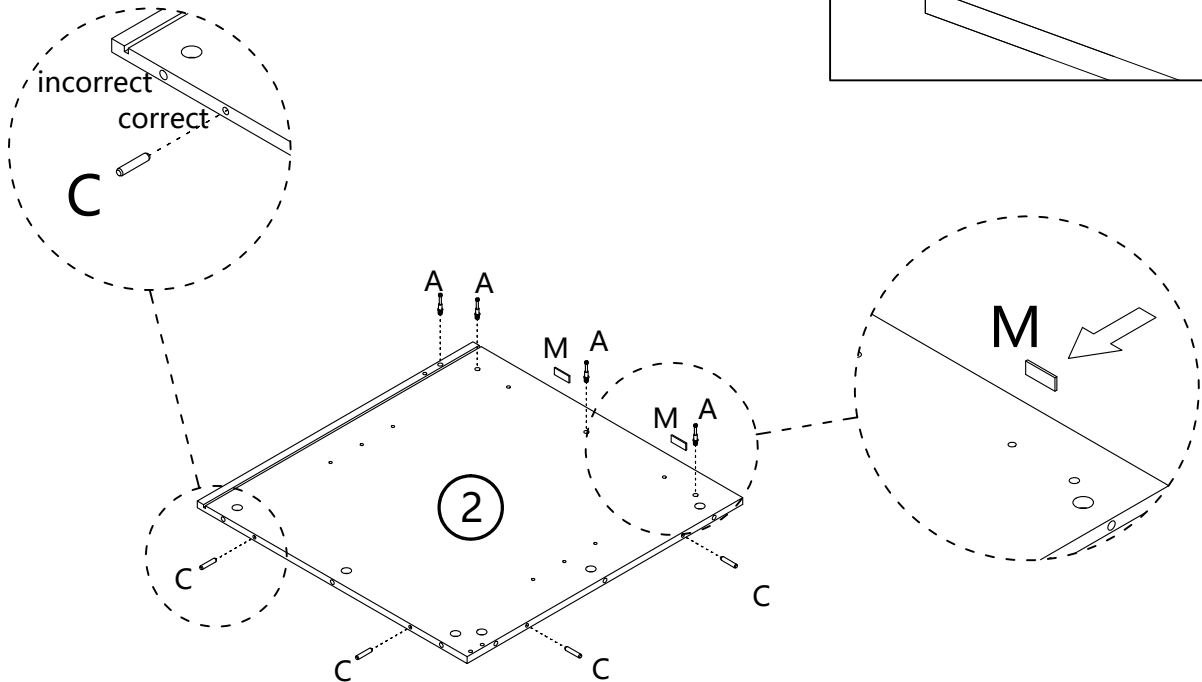
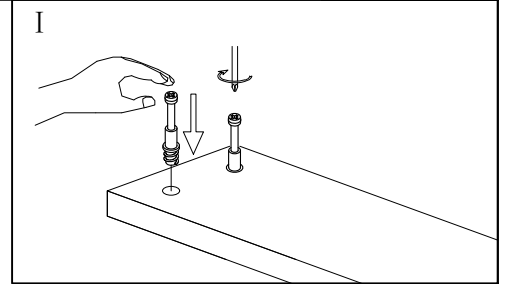


1



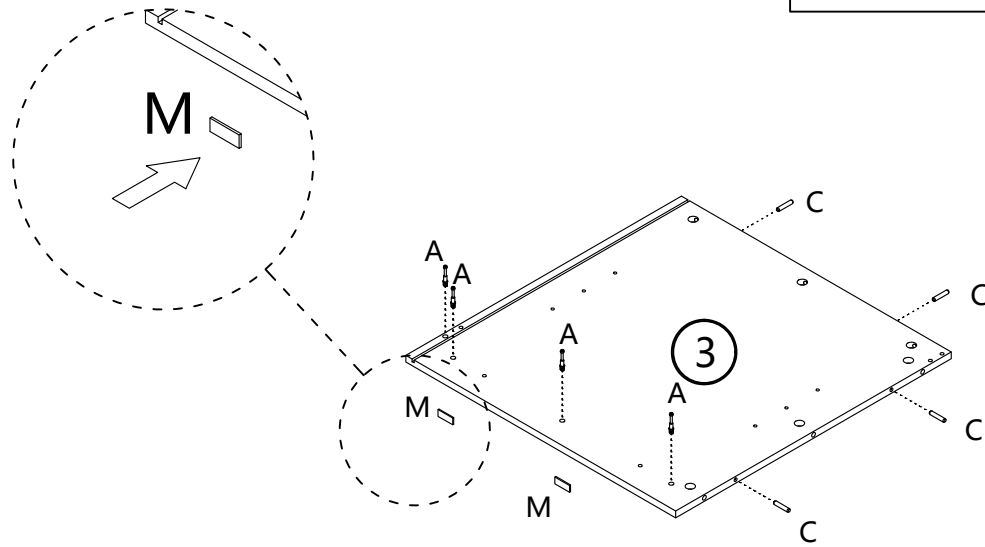
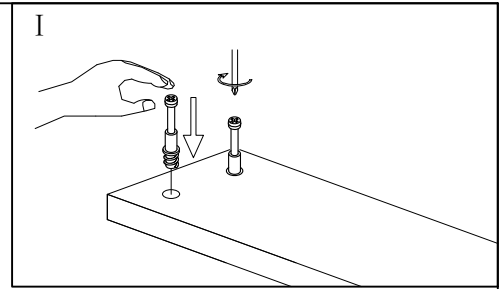
A*8

2



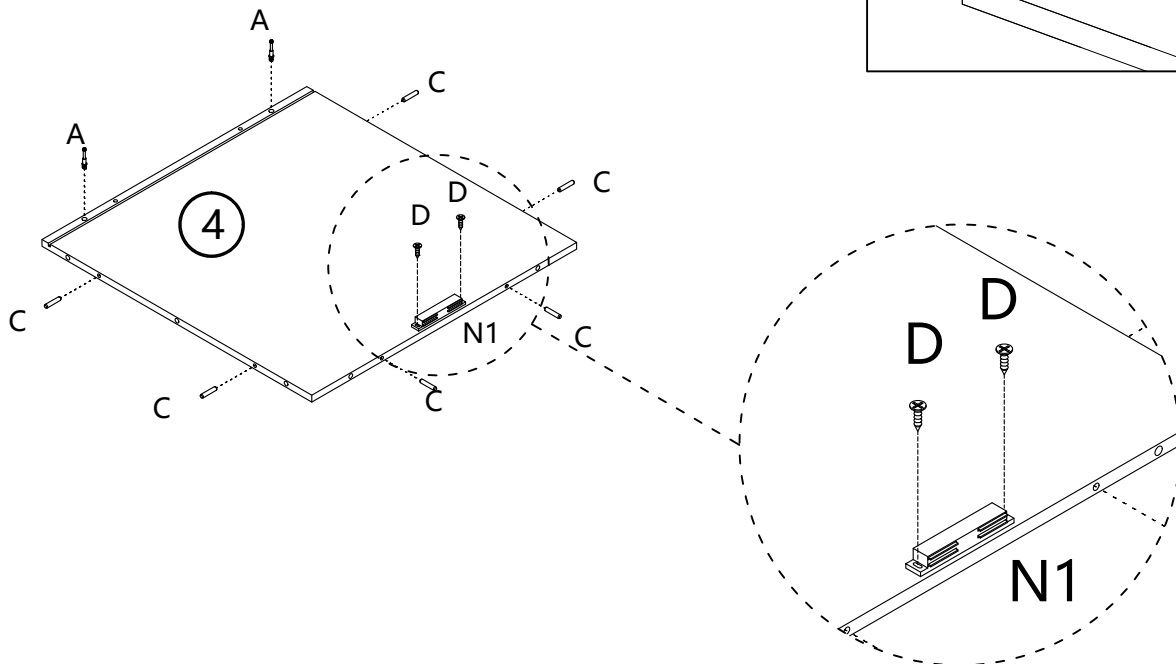
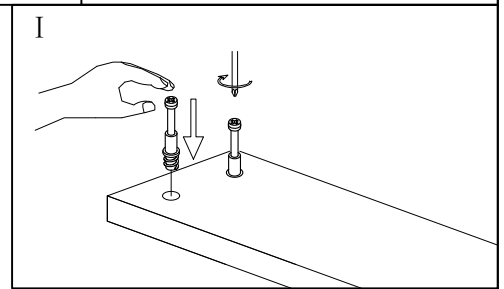
A*4 C*4 M*2

3



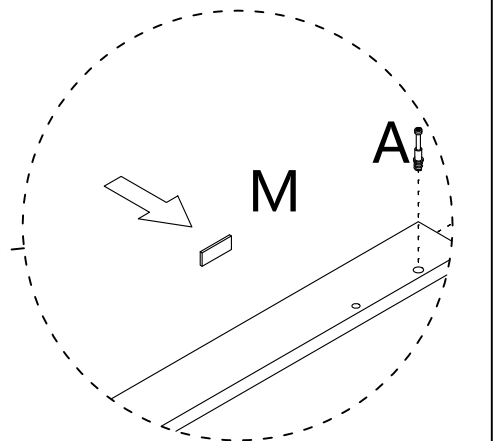
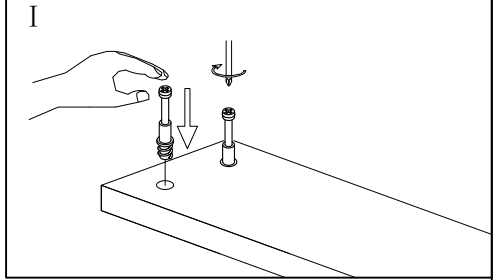
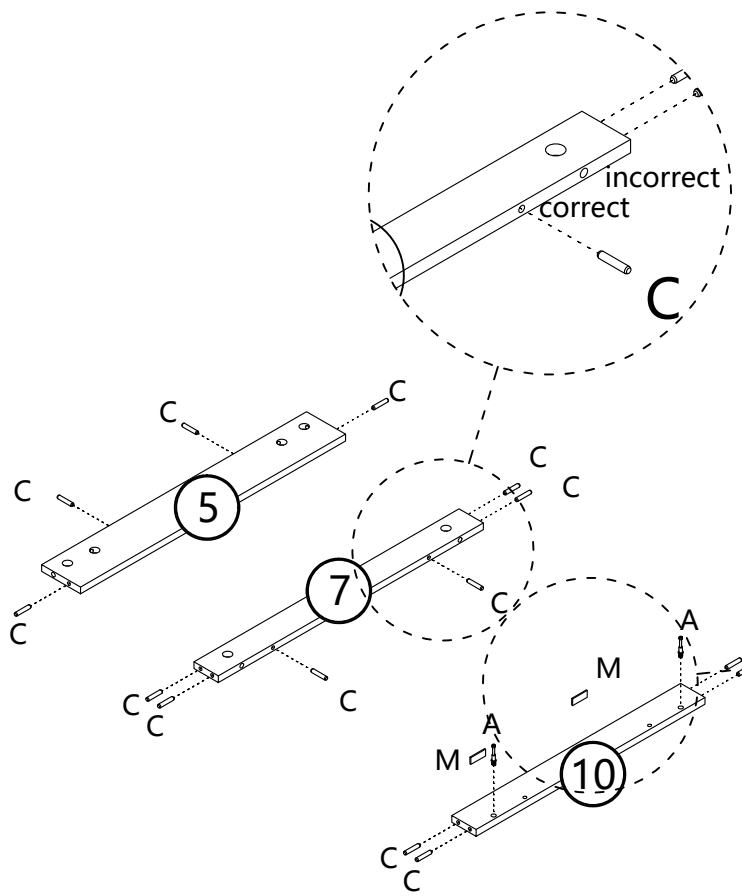
A*4 C*4 M*2

4



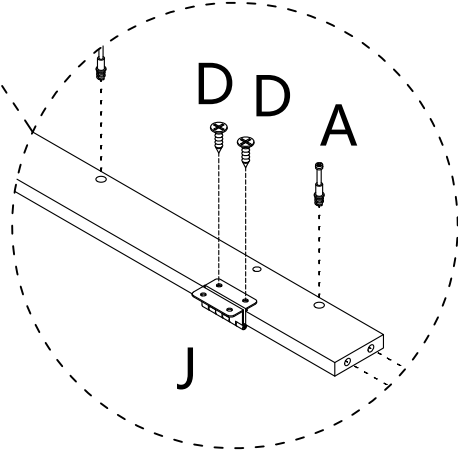
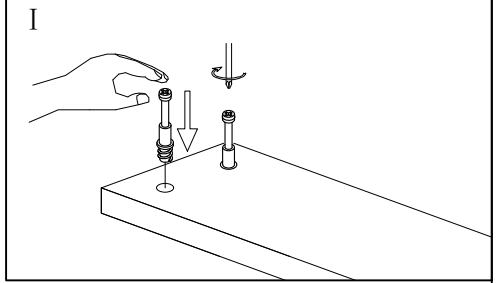
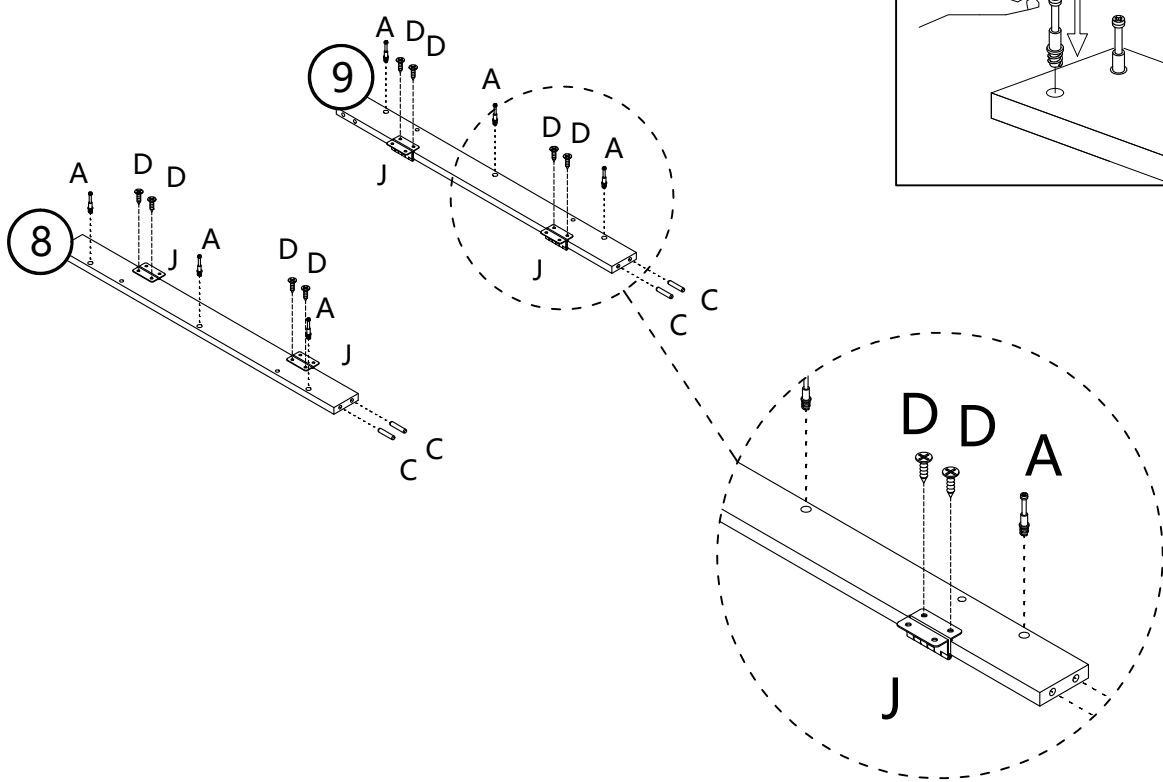
A*2 C*6 D*2 N1*1

5



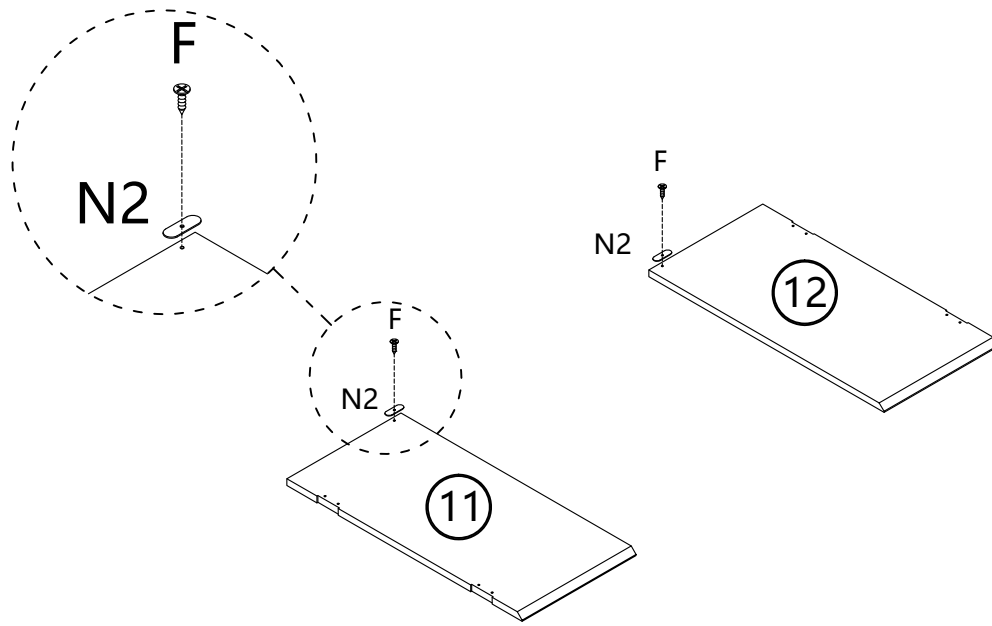
A*2 C*14 M*2

6



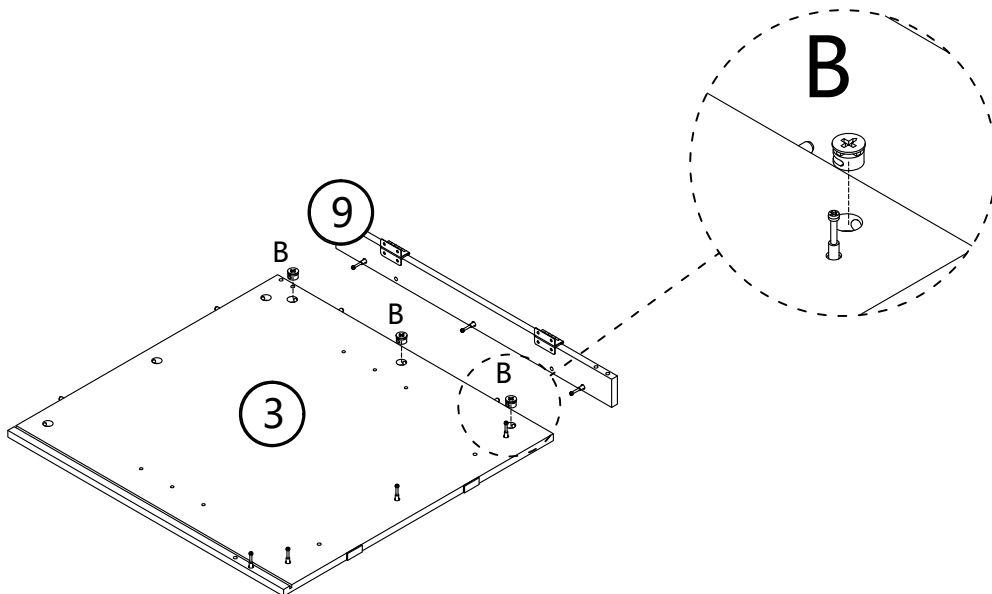
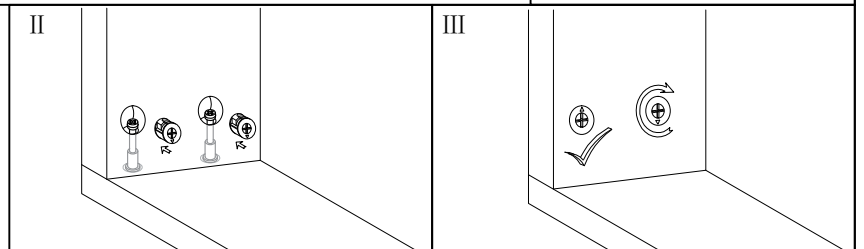
A*6 C*4 D*8 J*4

7



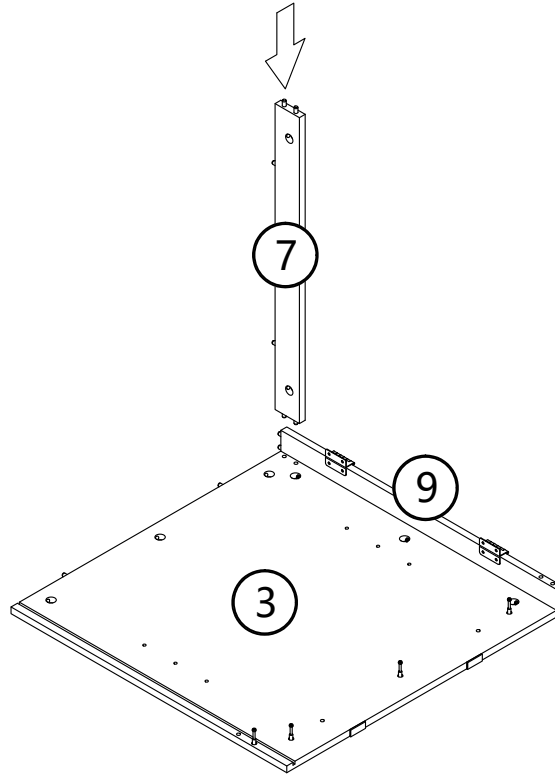
F*2 N2*2

8

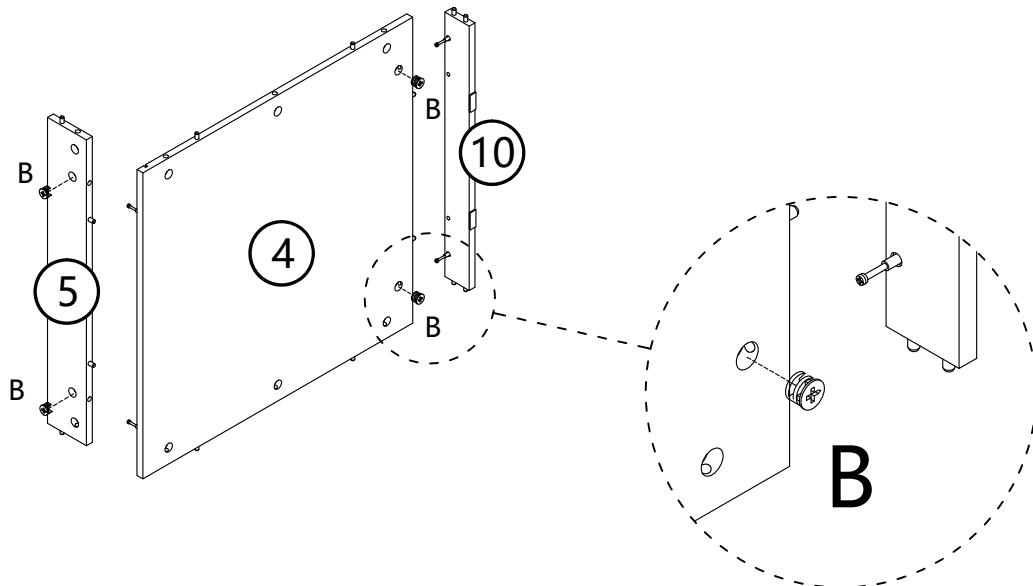
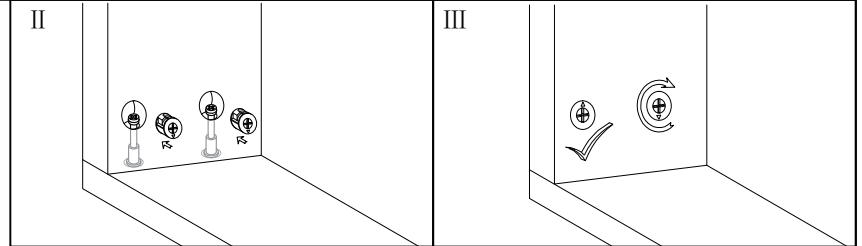


B*3

9 NOTE: Before installation, please check the position of Panel No. 7 to avoid any installation errors.

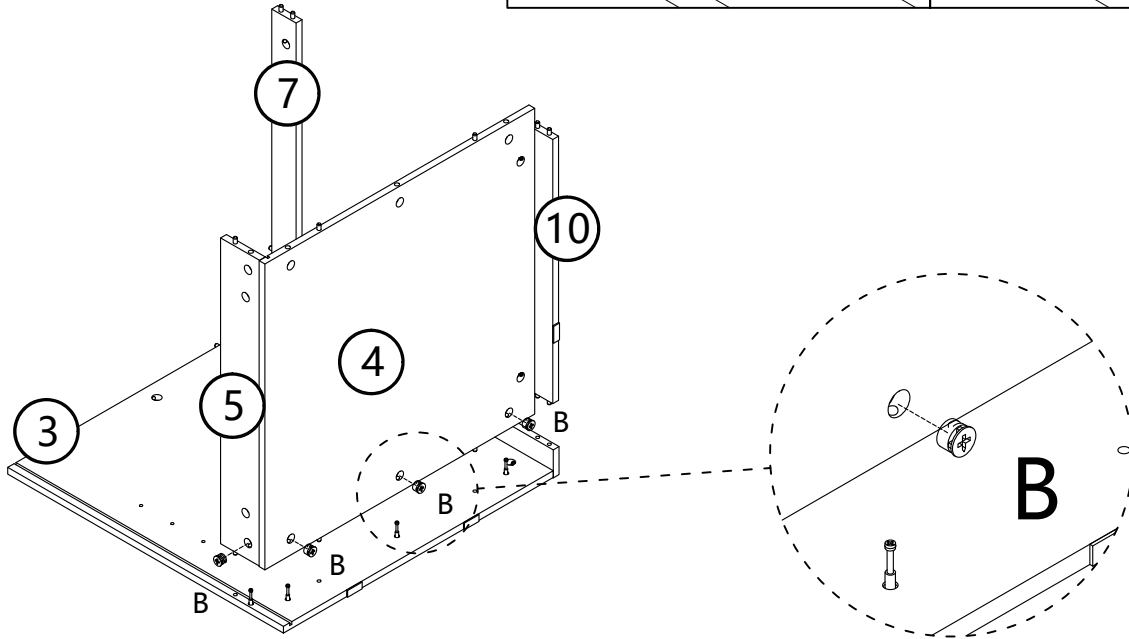
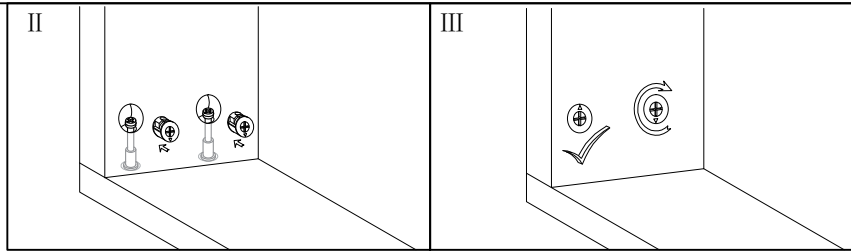


10



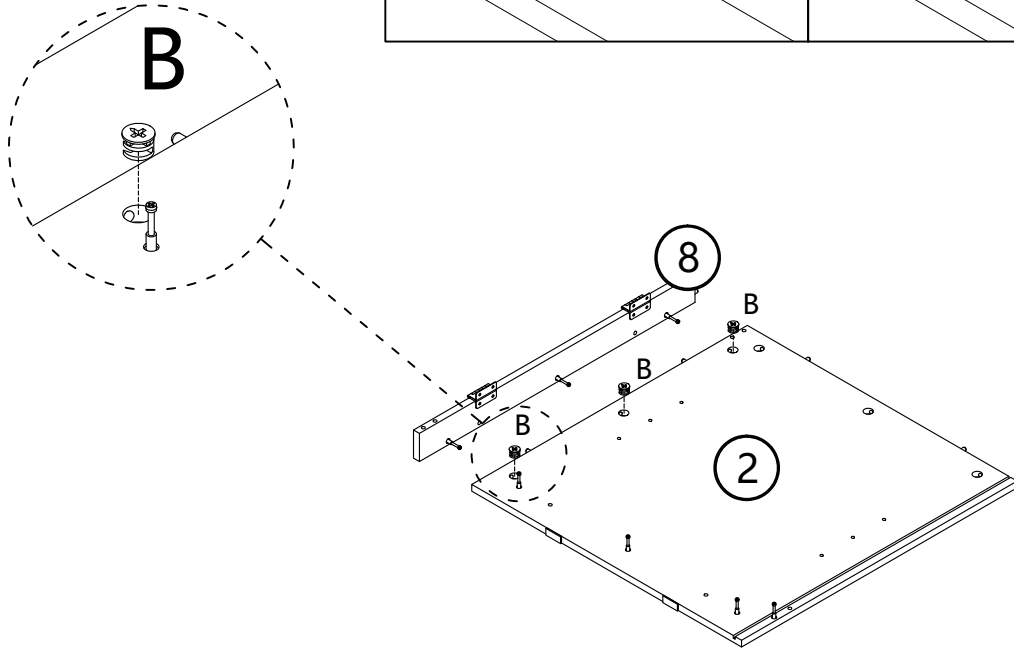
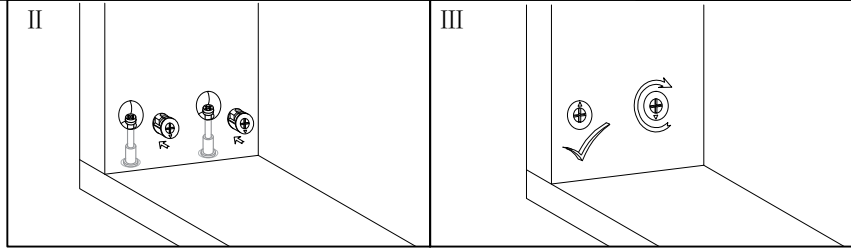
B*4

11



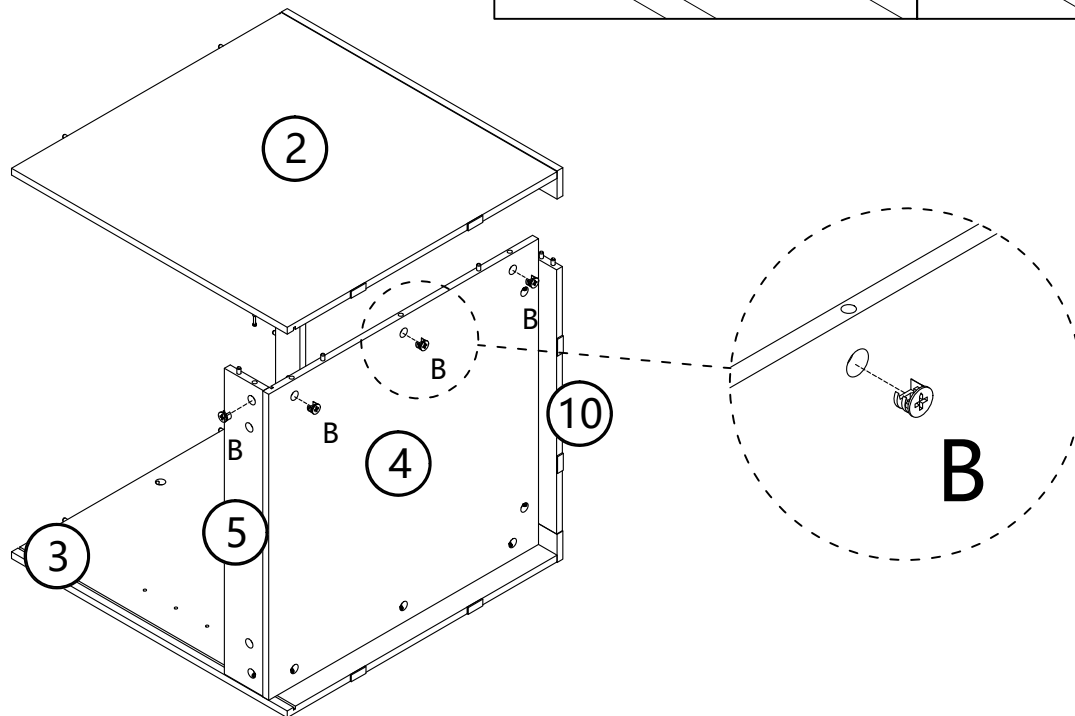
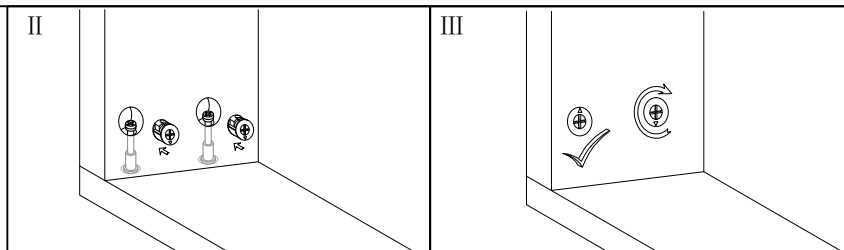
B*4

12



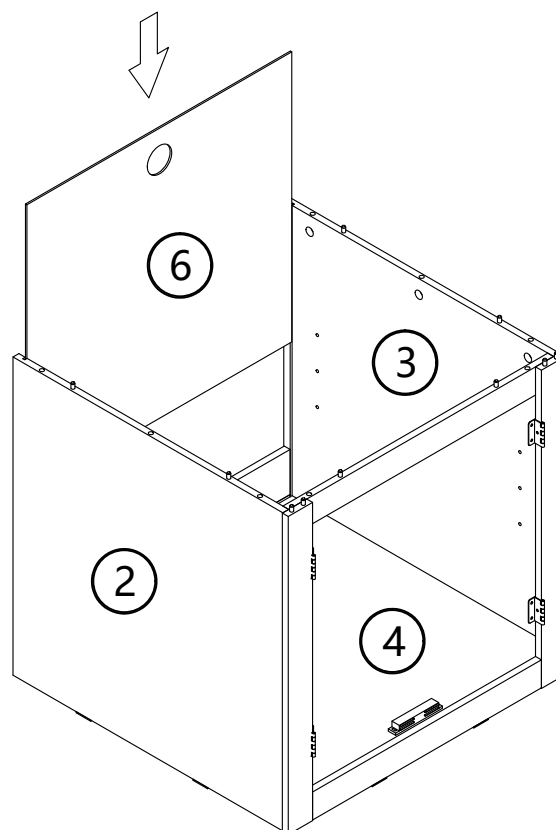
B*3

13

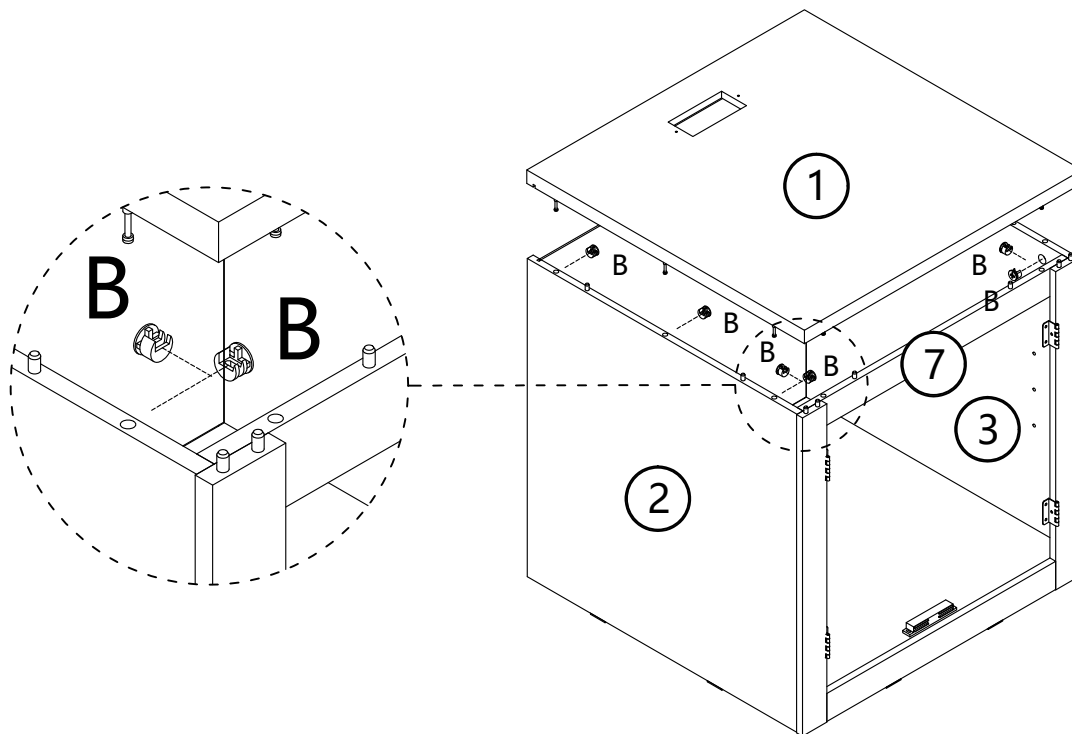
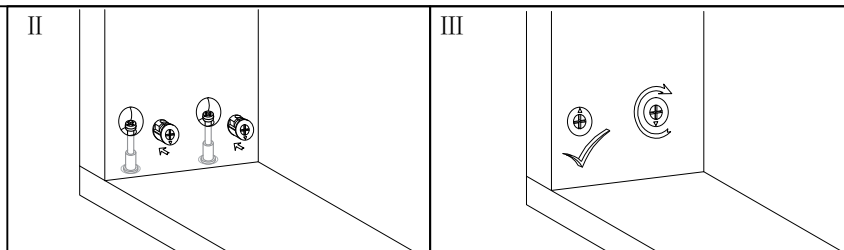


B*4

14

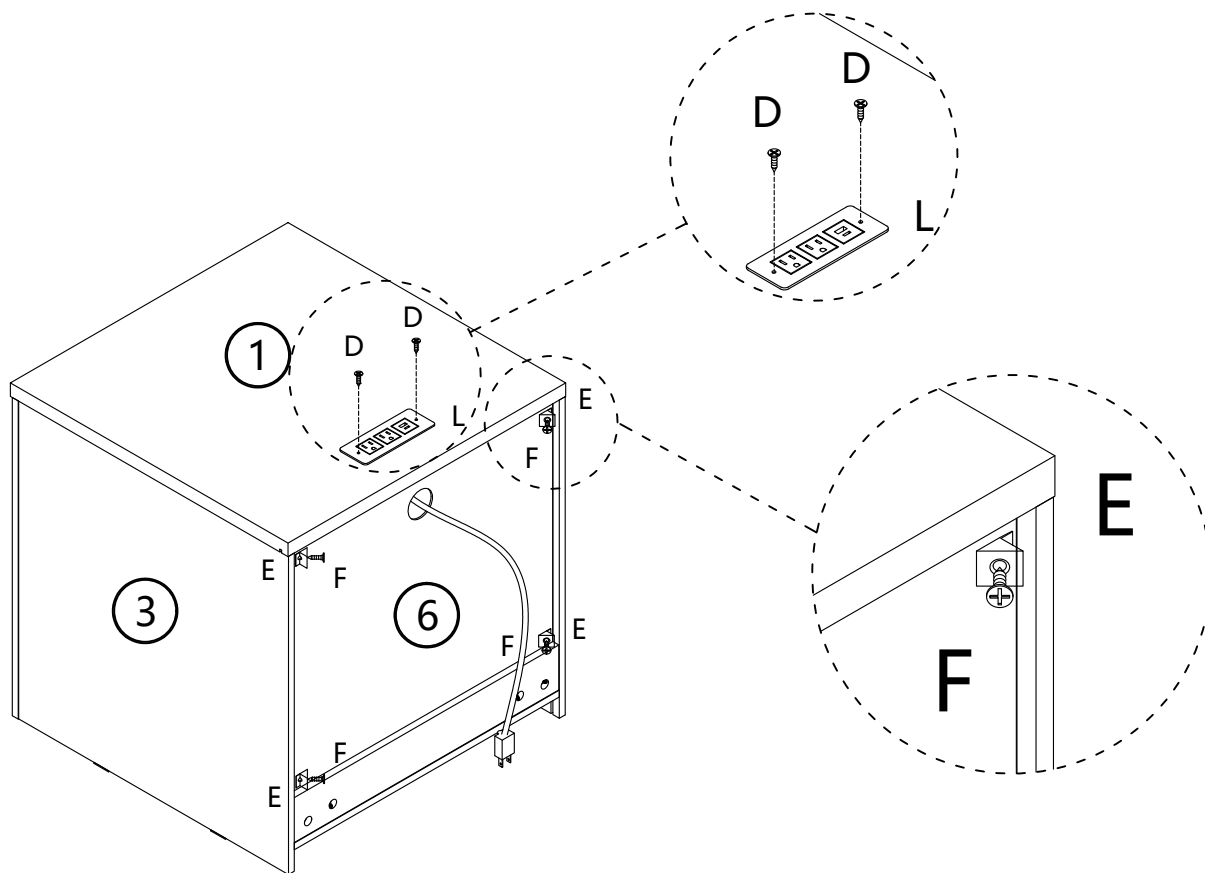


15



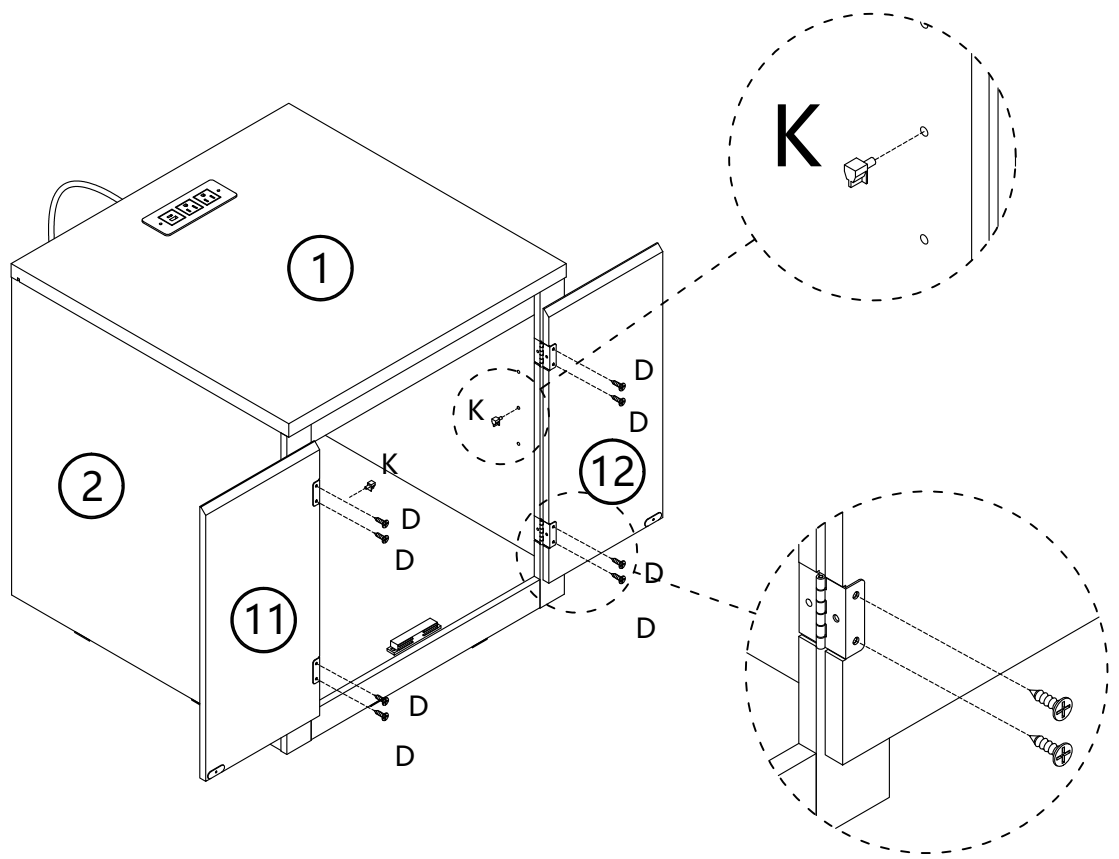
B*8

16



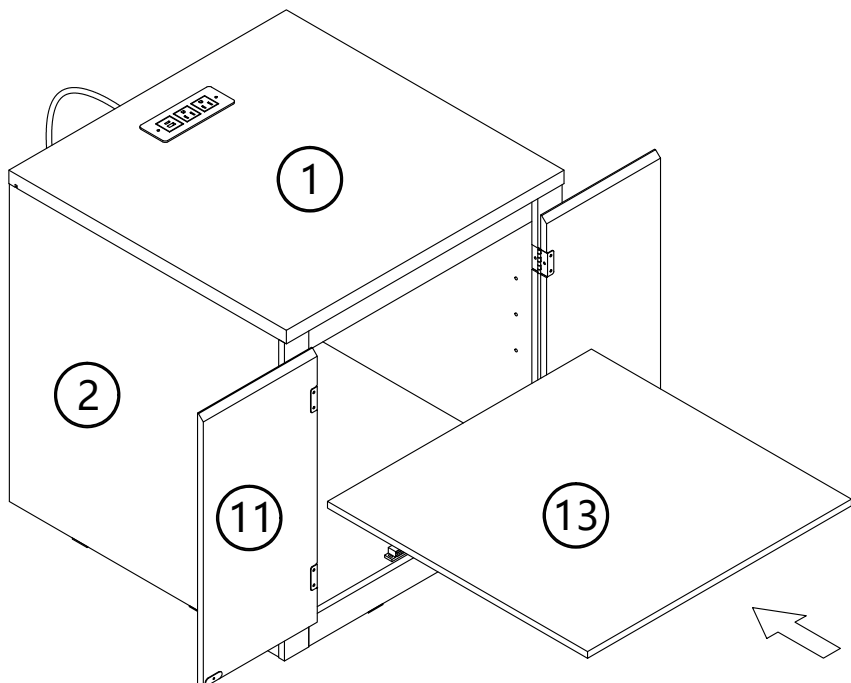
D*2 E*4 F*4 L*1

17

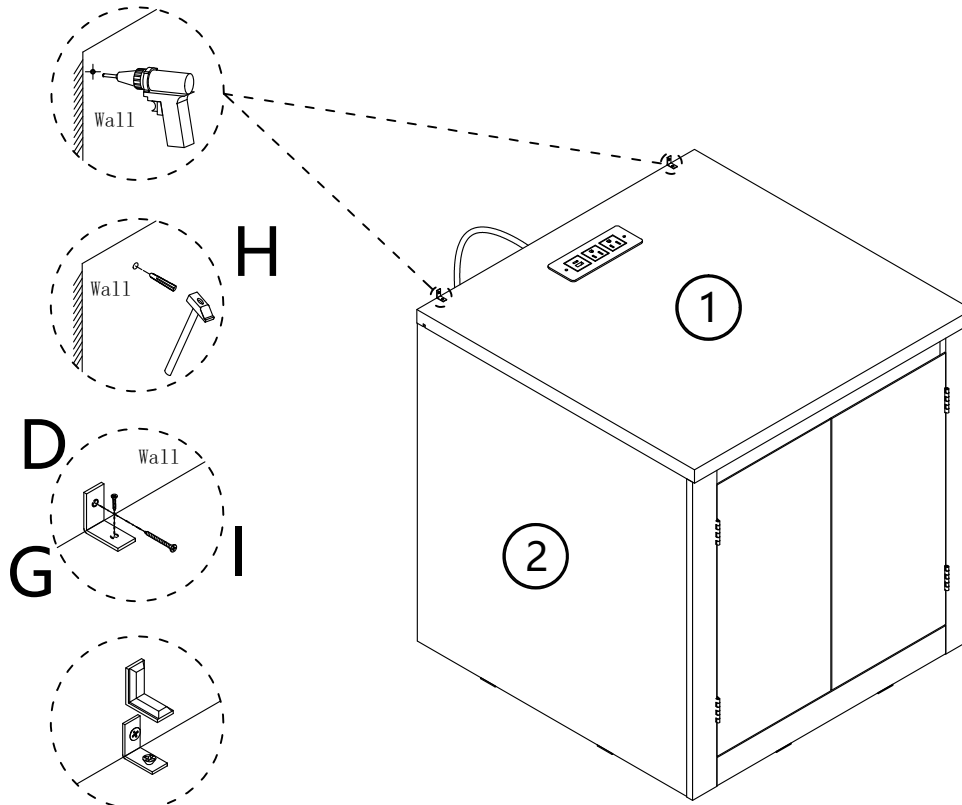


D*8 K*4

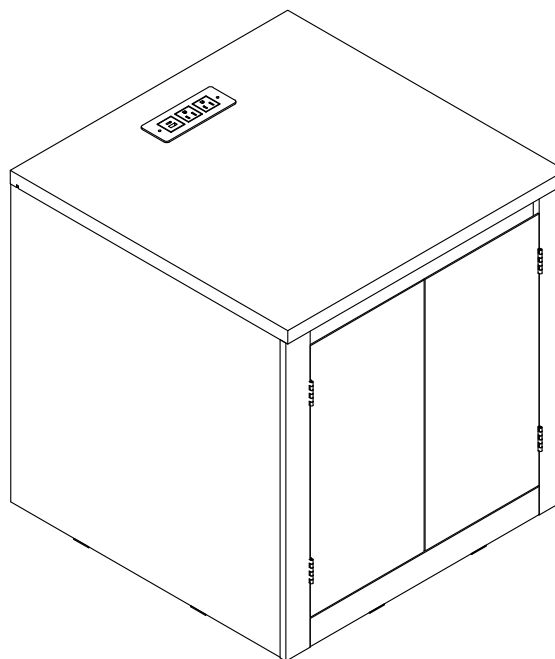
18



19



20



END