

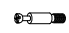


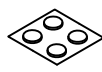



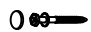


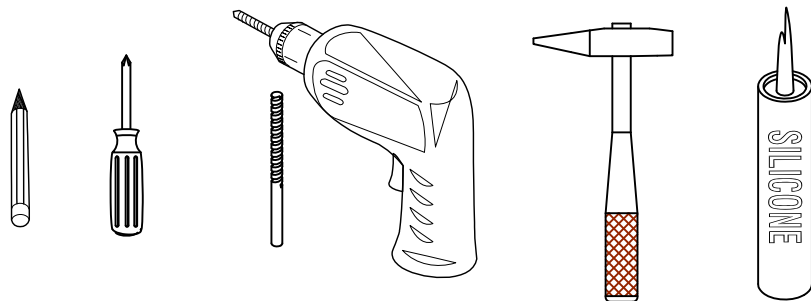


Item NO.:BV B06430

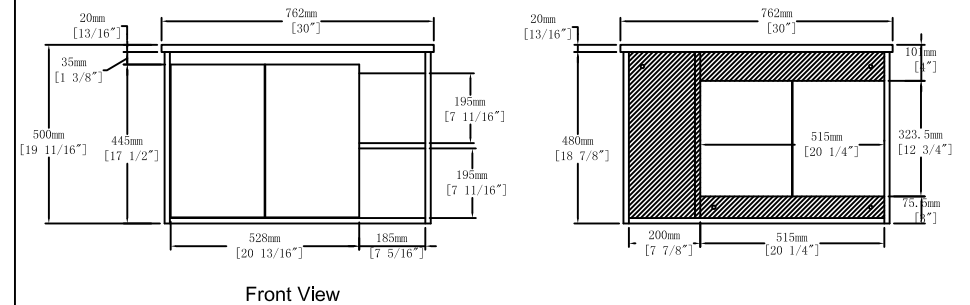
Hardware

NO.	Draw	QTY	NO.	Draw	QTY
A	 Screws Ø4x14mm	44	I	 Hinges (Internal hiding)	2
B	 Two-in-one connector	31	J	 Hinges (Full cover)	2
C	 Two-in-one connector	31	K	 Anti-collision gasket	4
D	 Wood plug	7	L	 Screwdriver	1
E	 Plastic anchor(Ø10mm)	4			
F	 Screws for fix on the wall	4			
G	 Bracket (53x70x44mm)	2			
H	 Bracket (19x19x35mm)	2			

Recommended tools



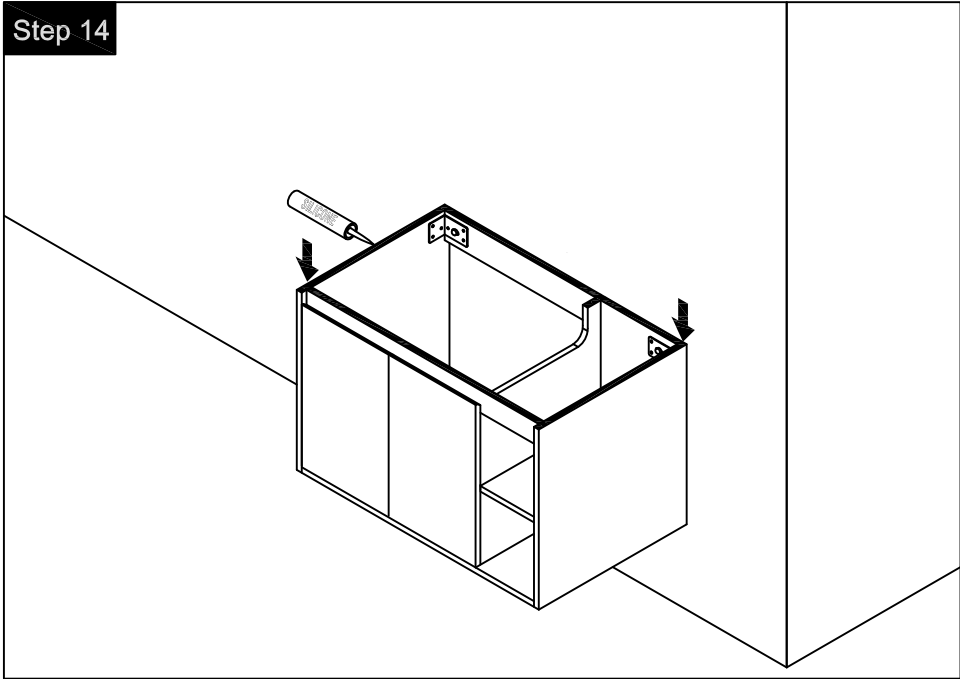
Dimensions



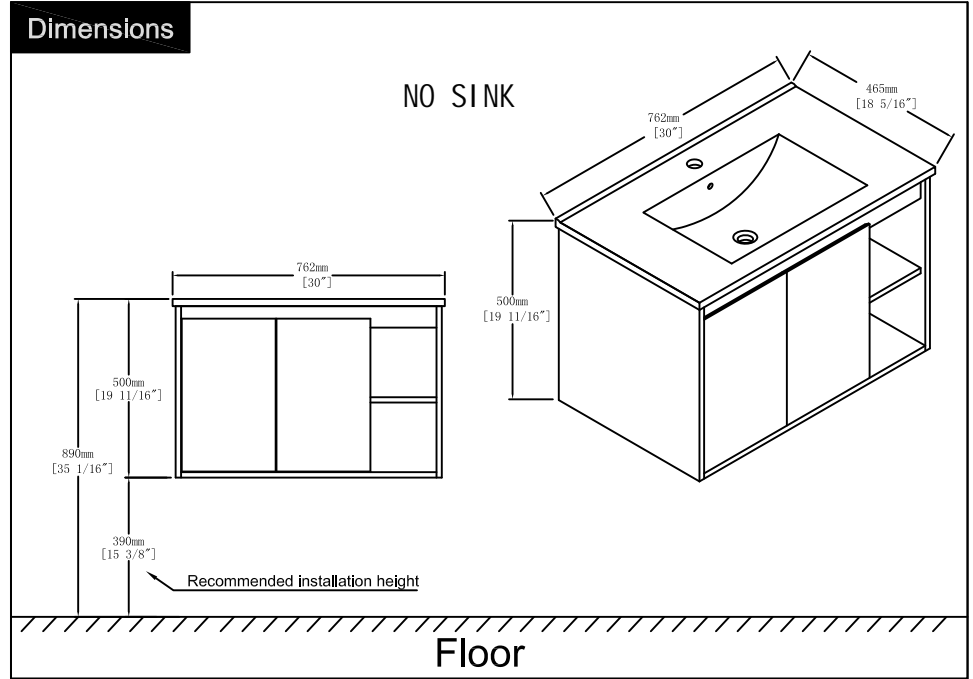
CARE CLEANING AND MAINTENANCE

1. Dust regularly with a soft , dry cloth.
2. Avoid the use of all chemicals household cleaners, abrasives, or cleaners that contain lemon, vinegar, or other acids that may damage the finish.
3. Excessive exposure to sunlight and extreme changes in temperature and moisture can damage wood furniture.
4. The sink top is resilient, but care needs to be taken to preserve its appearance.
5. Do not place hot appliances, such as curling irons and hot hair dryers directly on the countertop. Wipe spills immediately.

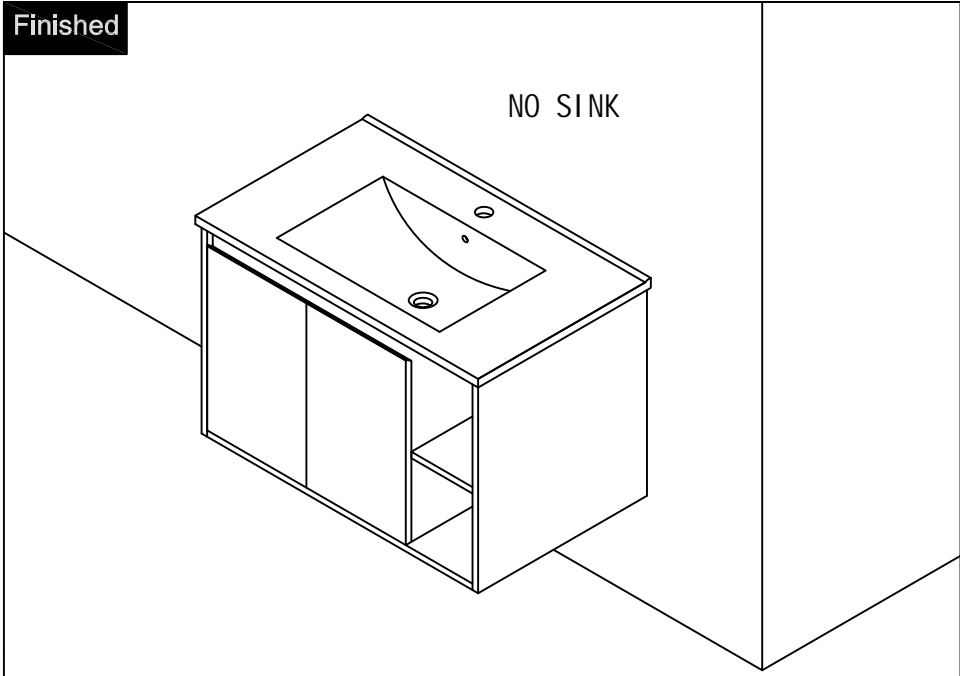
Step 14



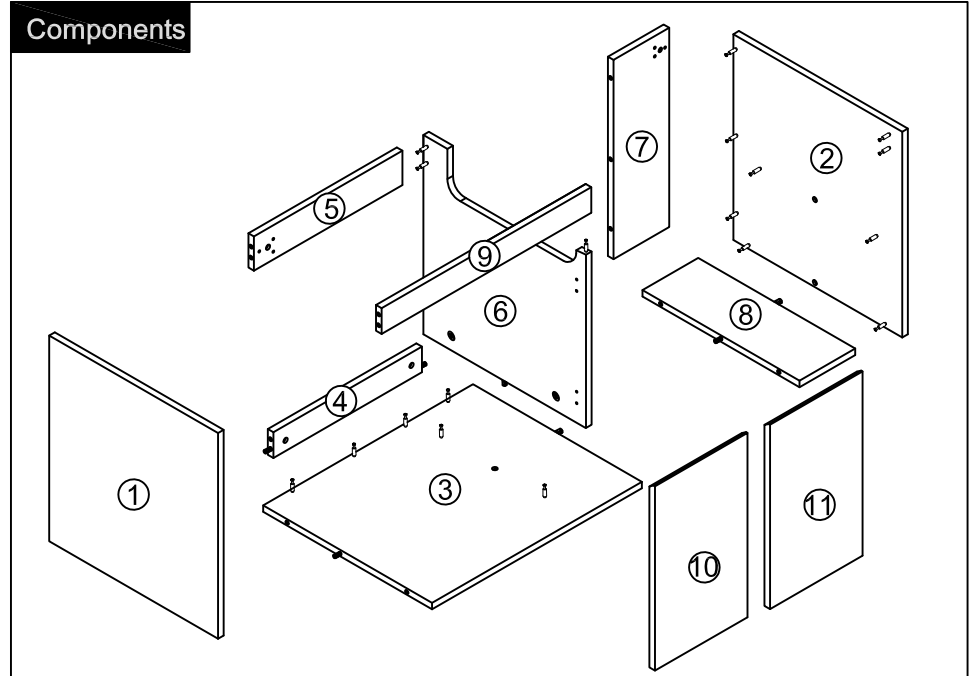
Dimensions



Finished



Components



Step 1

Notes: Screw installation depth as shown

Attention: Cam lock arrow point to the steel rod.

	x3
B	
	x3
C	
	x1
L	

Step 2

Note: The D parts are used for this hole

first step second step third step

	x3
B	
	x3
C	
	x1
D	
	x1
L	

Step 12

Tool

	x4
E	
	x1
L	

Step 13

Tool

	x4
F	
	x1

Step 9

I x2

J x2

($\varnothing 4 \times 14\text{mm}$) x24

A x24

K x4

Tool

You can adjust the doors by tightening or loosening the screws on the hinge. →

Step 10

Tool

Step 11

Tool

$\varnothing 10$

Step 3

B x6

C x6

D x1

L x1

Note: The D parts are used for this hole

Step 4

B x2

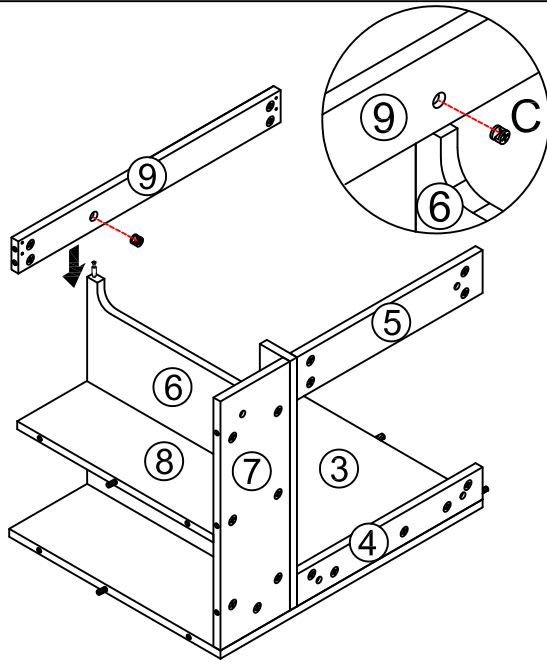
C x2

D x1

L x1

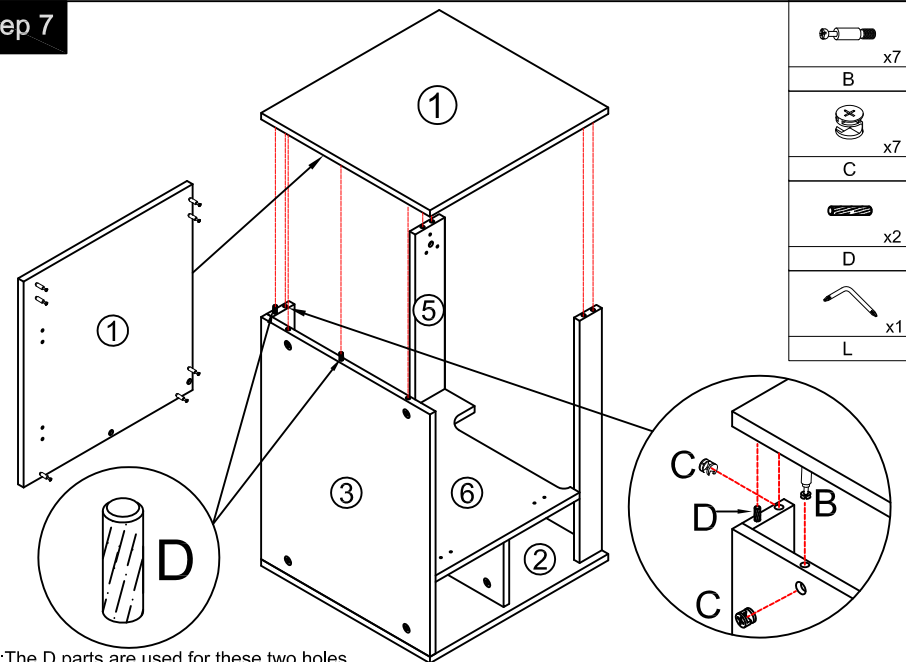
Note: The D parts are used for this hole

Step 5



	x1
B	
	x1
C	
	x1
L	

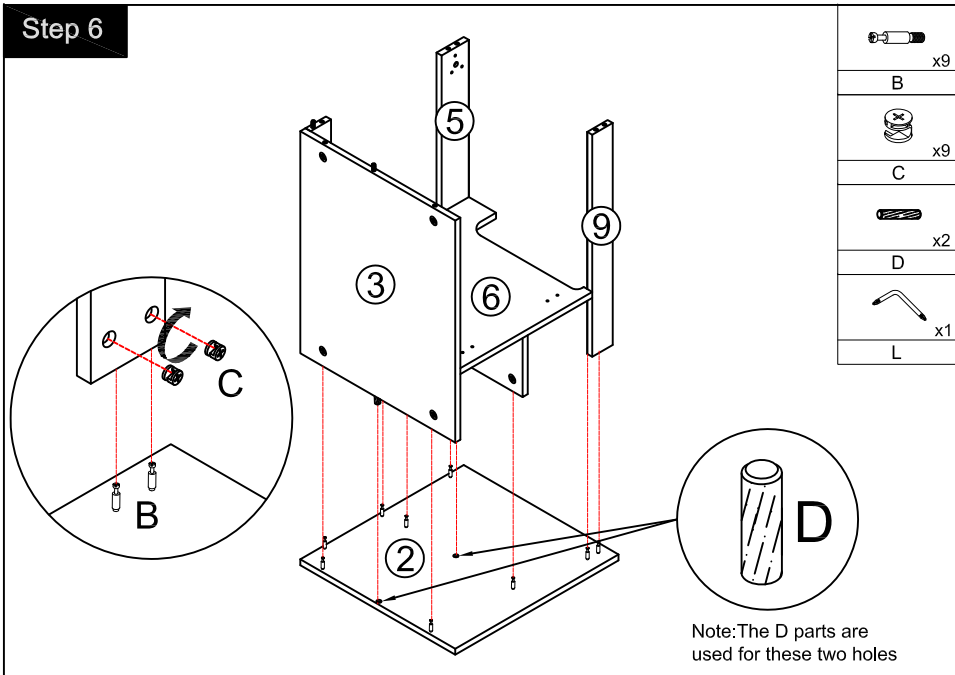
Step 7



	x7
B	
	x7
C	
	x2
D	
	x1
L	

Note: The D parts are used for these two holes

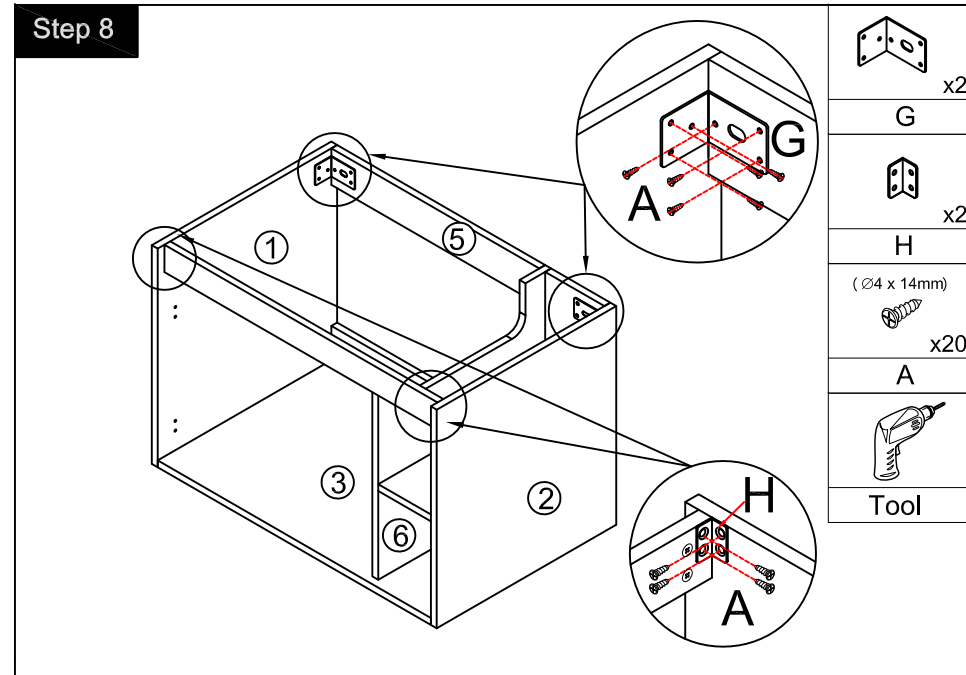
Step 6



	x9
B	
	x9
C	
	x2
D	
	x1
L	

Note: The D parts are used for these two holes

Step 8



	x2
G	
	x2
H	
	x20
A	
Tool	