

Electric fireplace with remote control

INSTALLATION AND USER INSTRUCTIONS



Please read all instructions carefully and retain for future reference!

Content

Important Safety Instructions.....	3&3
Getting Started	3&4
Contents of Carton (fig. A)	5
Helpful Advice Before Fitting	5
Installation	5
Placing pebbles	6
Instructions for Use.....	6
Safety Cut-Off.....	7
Troubleshooting	7
Replacing the Lamp	8
Cleaning	8
Technical Specification	8
Disposal	8

Important Safety Instructions

When using this electrical appliance, basic precautions should be followed to reduce the risk of fire, electric shock, and injury to person, including the following:

- a) This heater must be used on an AC supply only and the voltage marked on the heater must correspond to the supply voltage.
- b) Do not switch the appliance on until it properly installed as described in this manual.
- c) The heater must not be located immediately below a socket outlet.
- d) Keep furniture, curtains and other flammable material at least 1 meter away from the appliance.
- e) Do not leave the appliance unattended during use.
- f) Do not leave the appliance unattended whilst connected to the mains supply.
- g) This appliance is intended for household use and should not be used for industrial purposes.
- h) From time to time, check the cord for damage. Never use the appliance if the cord or any part of the appliance shows signs of damage.
- i) Do not operate this appliance with a damaged plug or cord, after a malfunction or after being dropped or damaged in any way.
- j) Repairs to electrical appliances should only be performed by a qualified electrician. Improper repairs may place the user at serious risk.
- k) Do not run the mains cable under carpets, rugs etc.
- l) Do not allow the mains cable to hang over sharp edges or come into contact with hot surfaces.
- m) Never immerse the product in water or any other liquids.
- n) Do not use the appliance outdoors.
- o) Do not use if you have wet hands.
- p) Never use the appliance on or near hot surfaces.
- q) Do not operate with a damaged cord.
- r) Before cleaning the appliance, ensure it is unplugged from the power and that it is completely cooled.
- s) Do not clean the appliance with abrasive chemicals.
- t) Never use accessories that are not recommended or supplied by the manufacturer. It could cause danger to the user or damage to the appliance.
- u) Do not lift the appliance by the front panel.
- v) Make sure that the wall is capable of supporting the combined weight of the appliance. If necessary have a qualified technician to reinforce the wall.
- w) Examine the wall you want to install the mount to before you start installation. Make sure that there are not hidden power supply cables, water pipes or other objects hidden in the wall that might be hit by the drill.
- x) At least two people with technical knowledge and experience are needed to install this product. Contact a qualified technician if you do not understand these instructions or parts of it, if you have doubts and if you do not have required tools in hand.
- y) Do not cut off bracket or change shape of the bracket.

WARNINGS:

- a) Do not use the heater in reach of a shower, bath or a swimming pool.
- b) Heater is not located immediately below a socket-outlet
- c) If the supply cord is damaged, it must be replaced by the manufacturer, its service agent or a similarly qualified person in order to avoid a hazard.
- d) In order to avoid overheating, do not cover the heater.
- e) This appliance is not intended for use by persons (including children) with reduced physical, sensory or mental capabilities, or lack of experience and knowledge, unless they have been given supervision or instruction concerning use of appliance by a person responsible for their safety.
- f) Children should be supervised to ensure that they do not play with the appliance.

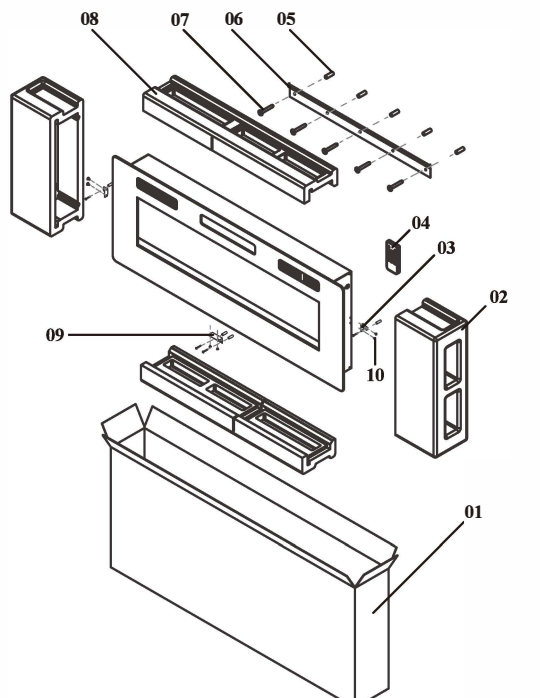
Getting Started

- a) Remove the appliance from the box.
- b) Remove any packaging from the product.
- c) Place the packaging inside the box and either store or dispose properly.

Contents of Carton (fig. A)

- Heater.
- Wall fixing bracket.
- Fixing screws and wall plugs.
- Remote control.
- Instruction Manual.

serial number	name	quantity
001	Carton	1
002	Packing Form	2
003	Fixed Angle (Embedded type)	2
004	Remote control	1
005	Plastic plug M4*35mm	9 or 10
006	Hanging board	1
007	Screws 4*35mm	9 or 10
008	Packing Form	2
009	Fixed Angle (Wall Mounted)	1
010	Screws 4.2*8mm	6

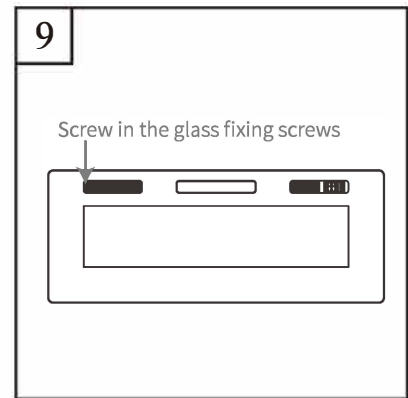
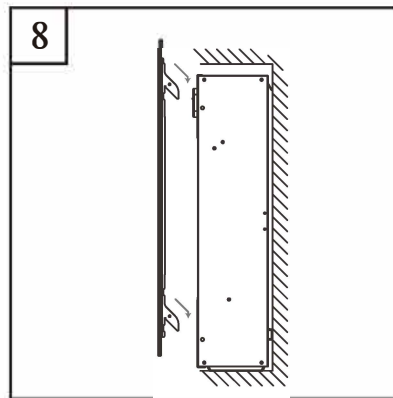
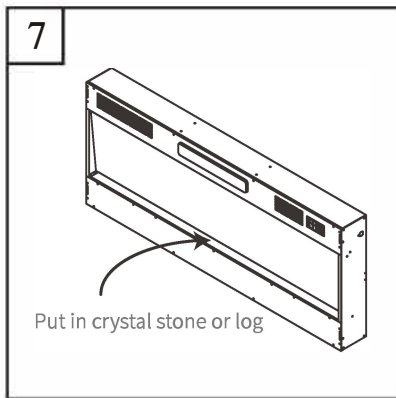
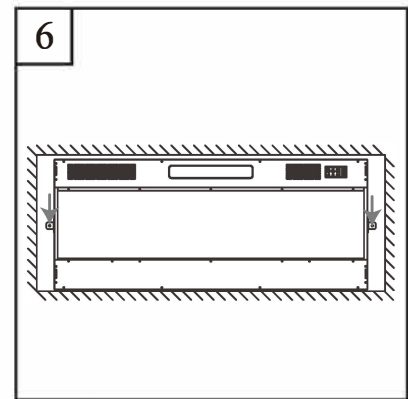
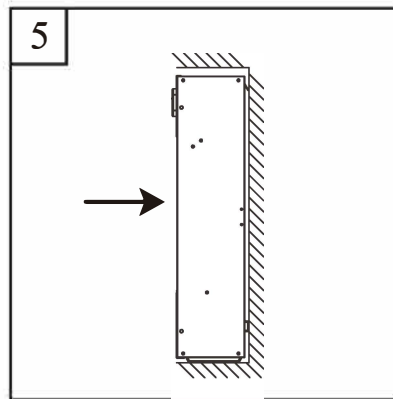
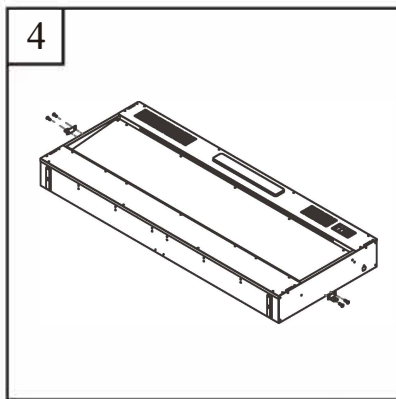
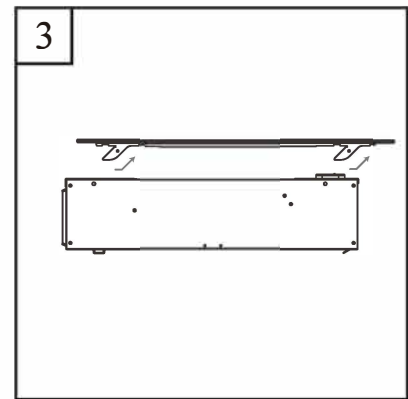
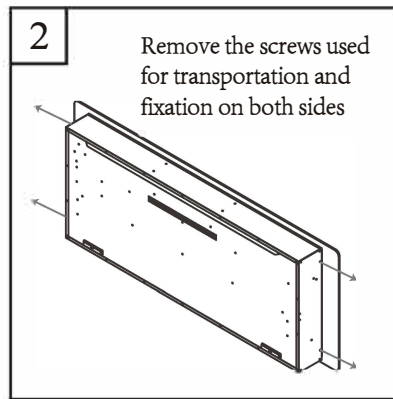
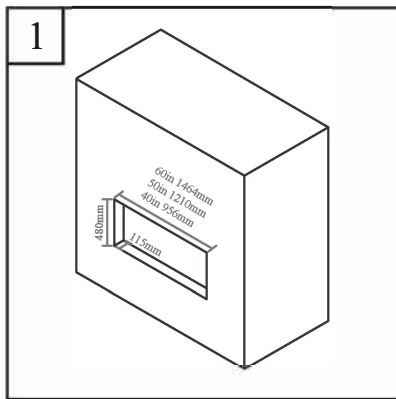


The diagram shows an exploded view of the heater assembly. Part 01 is the main heater unit. Part 02 is a vertical wall-mounted fixed angle. Part 03 is a remote control. Part 04 is a plastic plug. Part 05 is a hanging board. Part 06 is a screw. Part 07 is a screw. Part 08 is a screw. Part 09 is a wall-mounted fixed angle. Part 10 is a screw. The diagram illustrates how these parts fit together to mount the heater to a wall.

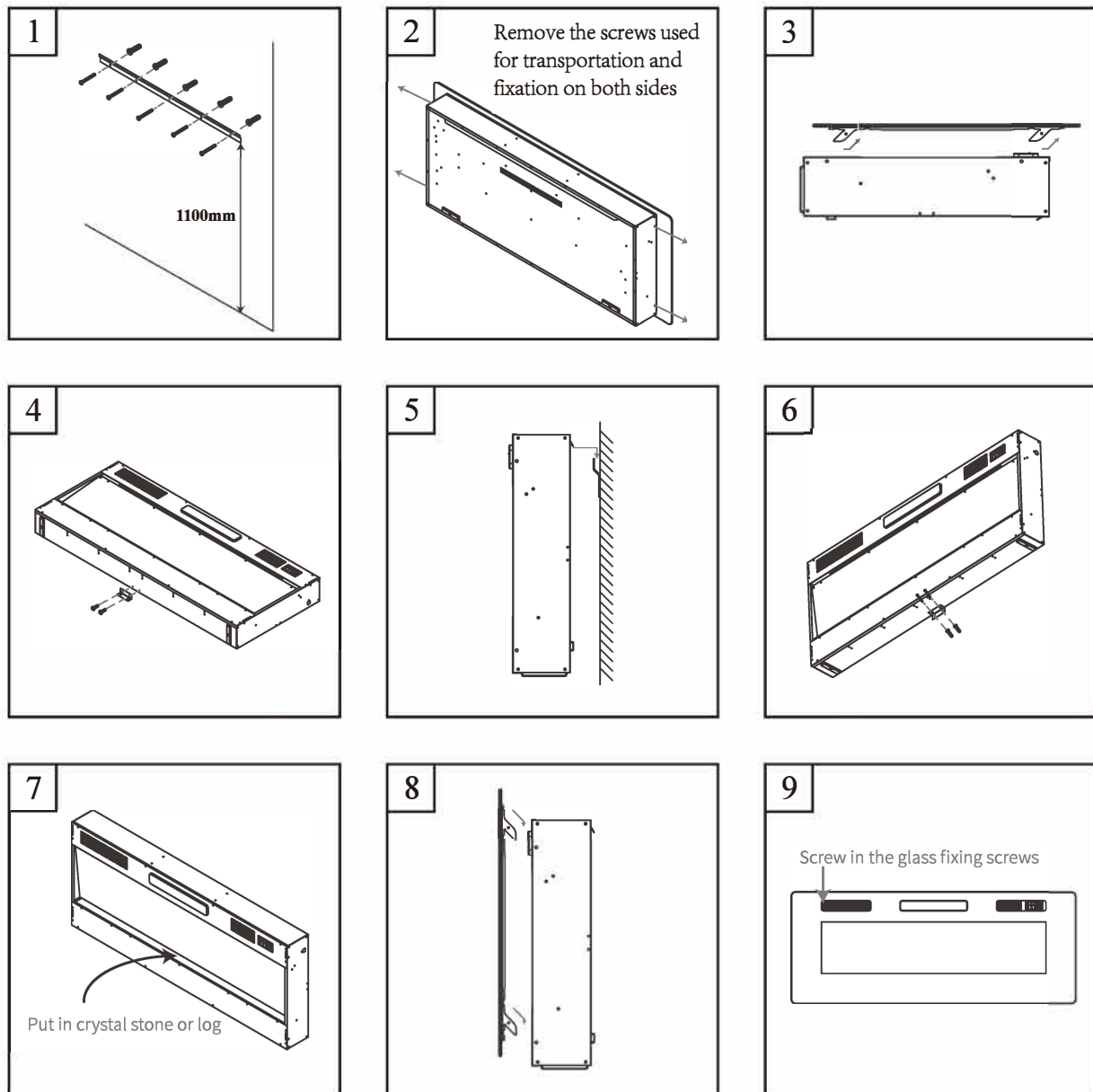
Helpful Advice Before Fitting

- a) Please retain all packaging until you have checked and counted all the parts and the contents of the fixing pack against the parts list.
- b) The fixing pack contains small items which should be kept away from young children.
- c) We suggest that you open the fixing pack and place all the contents into a container, therefore reducing the risk of losing any small pieces.

For Recessed Mount:



For Wall Mount:



Installation for Wall Mount

- a) Do not connect the appliance until properly fixed to the wall and the instructions is read fully.
- b) The minimum distances must be observed.
- c) For installation of the appliance, care must be taken not to damage concealed cables.
- d) Please be careful while drilling the holes.
- e) This appliance is designed to be permanently fixed to a wall at a minimum height of 300mm. The wall bracket must be fitted horizontally and the cable routed to the bottom right of the heater.
- f) A height of 600mm from bottom of heater to floor is recommended for optimum viewing of fuel bed (see fig.1 for recommend fixing dimensions)

- g) Use the bracket as table template and mark five drill positions on the wall. Make sure that these holes are level. Observe the recommended fixing dimensions.
- h) Put the bracket aside and drill holes with a depth of 35 mm using an 8 mm drill bit.
- i) Clean the holes from dust and insert one plug in each hole. Make sure the edge is flush with the surface.
- j) Hold the bracket in position and fix it with screws.
- k) Attach the fixing angle to the bottom of the appliance using the short screws.
- l) Carefully lift the appliance and hook it to the wall bracket (Fig.5). Do not let the appliance go until you are sure it is safely engaged to the bracket.
- m) Now mark the hole position for fixing the angle, see Fig.6. Carefully remove the appliance from the bracket and drill holes with a depth of 35 mm using an 8 mm drill bit.
- n) Clean the holes from dust and insert one plug in each hole. Make sure the edge is flush with the surface.
- o) Then lift up the appliance again, engage it to the bracket and finally fix the angle with screws.



Placing pebbles or Log

- a) Bring down the front-panel (fig. 2)
- b) Take pebbles or Log out from package and put on the plastic board even (fig. 7)
- c) Put front-panel up (fig. 9)



Instructions for Use

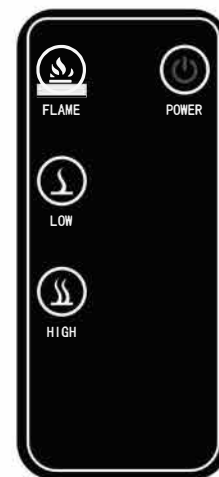
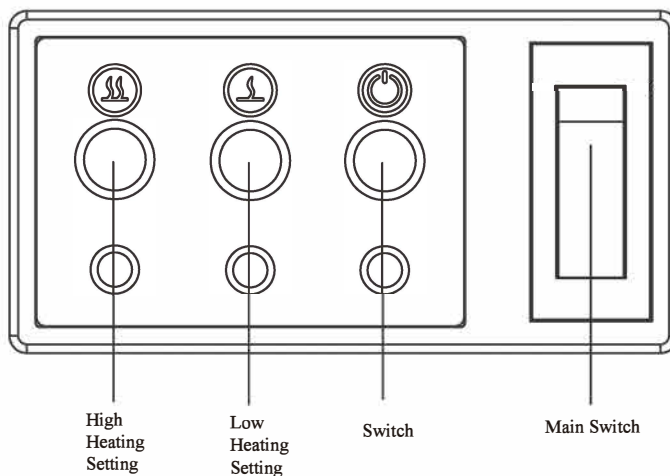
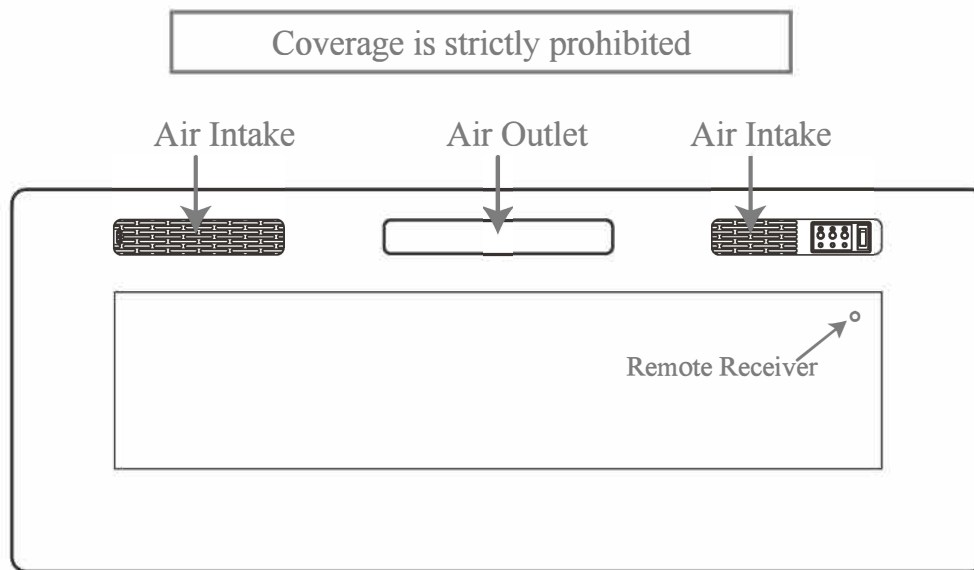
The appliance can be operated either by the switches are located on the top right hand side of the fire or by supplied remote control.

Manual Operation

- a) The switches are located at the top right hand side of the fire.
- b) Press once the  button to turn on the appliance. A red indicator light will appear to indicate that the function is ON. Press the  button for 3 seconds will operate the Automatic Flame show function, the flame colors will change at intervals of 10 seconds. Press once the 700W button for the low heat setting; press twice to switch off the heat setting.
- c) Press once the 1400W button for the high heat setting; press twice to switch off the heat setting.

Remote Operation

- a) It takes some time for the receiver to respond to the transmitter. Do not PRESS the buttons more than once within two seconds for correct operation.
- b) Press once the button  on the remote control this turns  the appliance and fire effect.
- c) Press once the 700W button for the low heat settings; press twice to switch off the heat setting.
- d) Press once the 1400W button for the high heat settings; press twice to switch off the heat setting.
- e) Press the FLAME button to change the flame colors, green, blue, orange, red and 10 mixed colors for your options.



Safety Cut-Off

This appliance is fitted with a safety cut-off which will operate if the fire overheats (e.g. due to blocked air vents). For safety reasons, the fire will NOT automatically reset.

To reset the appliance, disconnect the appliance from the mains supply for at least 15 minutes.

Reconnect the supply to the mains and switch on the appliance.

Troubleshooting

Symptom	Solution
No operation/ no fan.	Check fuse by replacement. Check for safety cut-off operation.
No fire effect light.	Check the LED by replacement.

Replacing the Lamp

Warning-Always disconnect from the power supply before removing lamp.

Only a qualified engineer can replace the fault lamp.

Cleaning

Warning-Always disconnect from the power supply before cleaning heater

For general cleaning use a soft clean duster-never use abrasive cleaners. The glass viewing screen should be cleaned carefully with a soft cloth. **DO NOT** use proprietary glass cleaners.

Technical Specification

Supply: 120V~ 60Hz

Rated power: 1400W

Lighting: 0.5W LED Lamp

Disposal



Environmental Protection

Waste electrical production should not be disposed of with household waste. Please recycle where facilities exist. Check with your Local Authority or retailer for recycling advice.