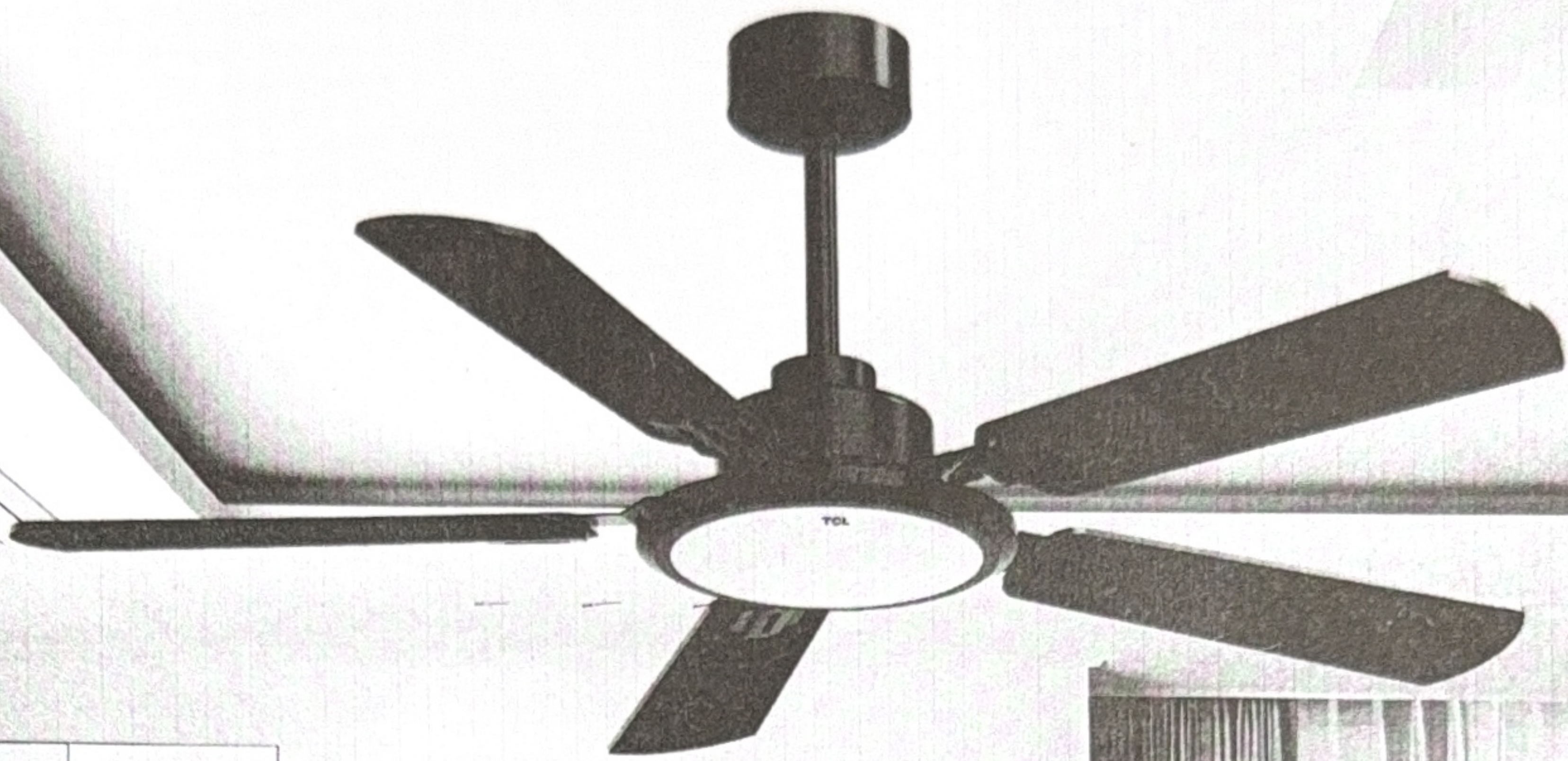


TCL



52" 5-BLADE

Ceiling Fans with light

User Manual

GET MORE SUPPORT

If you encounter any problems while operating our products, there are two ways to seek assistance. First, you can contact our Customer Support through Amazon Orders. Alternatively, you can send your inquiry to our Official Customer Support.

✉ lightservice@tcl.com



**Brand
Story**

TCL GROUP IS COMMITTED TO BECOMING THE WORLD'S LEADING INTELLIGENT TECHNOLOGY COMPANY.

It was founded in 1981, formerly known as one of the first 13 joint ventures, China - TTK Household Electrical Appliances (Huizhou) Co., LTD., engaged in the manufacturing audio tape, then expanded to telephone, television, mobile phones, refrigerators, washing machines, air conditioners, lighting, small appliances and other industries, to the layout of the smart terminal products, semiconductor display and materials, and new energy, industrial finance and investment, etc.

The group has more than 100000 employees, 26 research and development centers, and more than 10 joint laboratories, 32 manufacturing and processing bases, with sales organizations more than 80 countries and regions, business more than 160 countries and regions around the world, which makes it a leading enterprise with global influence.

INNOVATION A HISTORY OF WORLD FIRSTS

After spending nearly 40 years at the forefront of consumer technology, TCL has pushed the boundaries of what's possible, raising the bar across our industry, and proudly pioneering new innovations.



SAFETY INFORMATION

To avoid fire, shock and serious personal injury, please read the following instructions carefully.
Important Safety Instructions.

- Before installing the fan, disconnect the power by removing fuses or turning off circuit breakers
- Make sure the installation site you choose allows a minimum of 7.5 feet from the blades to the floor and at least 30 inches from the tip of the blades to any obstruction (see the picture at the next page).
- If you are mounting the fan on a ceiling outlet box, use a metal outlet box. Secure the box directly to the building structure. The outlet box and its support must be able to support the moving weight of the fan (at least 45kgs.). Do not use a plastic outlet box. Attach the mounting bracket by using the hardware supplied with the ceiling outlet box.
If you are mounting the fan to a joist, make sure it is strong enough to support the moving weight of the fan (at least 45kgs.).
- After installing the fan, make sure all the connections are secured. This will prevent the fan from falling.
- Do not insert anything into the fan blades while the fan is operating.
- Turn the fan off and wait for it to stop before reversing fan direction.
- To reduce risk of electrical shock and personal injury, do not install the fan on a sloped ceiling.
- To reduce the risk of electrical shock and personal injury, do not use this fan with any solid-state.
- To reduce risk of personal injury, use only the two steel screws and lock washers provided with the fan for mounting the outlet box.
- The largest angle for angled mount is 15° (see the picture at the next page).

Risk Of Electric Shock

- Before you start installing this ceiling fan, disconnect the power supply by turning off the circuit breaker. (see the picture at the next page).
- All electrical connections must be in accordance with local and National Electric Code (N.E.C.) standards and ANSI/NFPA 70.
- Consult a qualified electrician if you are unfamiliar with proper electrical wiring connections.
- Do not alter, re-locate or remove wiring when nothing goes wrong with the product.
- Double-check all connections and screws to be sure they are tight and correct.
- Verify whether the supply voltage is correct by comparing it with the product information.

Risk of Injury

- Keep all the parts of this product away from children. The package contains many small or heavy parts that may bring children the risk of choke or injury.
- Make sure to install all parts firmly enough in case they fall while running. Carefully check all screws, bolts, and washers on the fan assembly to ensure they are secured.
- Wear safety gloves and safety glasses always when installing or removing the light or the fan, or performing maintenance. Some parts of the components are sharp and may hurt your hands, please make sure you are wearing safety gloves when touching and installing the components. Wear rubber-soled shoes and work on a sturdy ladder.

Maintenance And Cleaning

- Periodically cleaning your ceiling fan is the only required maintenance. Use a soft brush or lint free cloth to avoid scratching the paint.
- Please turn off the electricity power before you clean your fan.
- Do not use water when cleaning your ceiling fan. It could damage the motor or the blades or even evoke an electrical shock. The motor has permanently lubricated ball bearing. No need to oil.

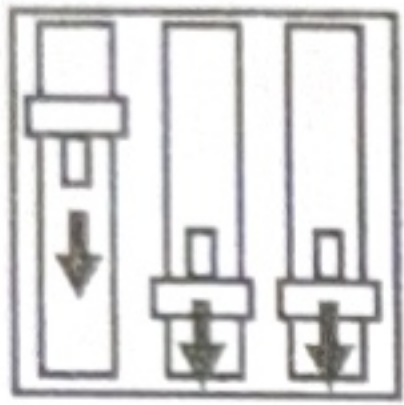
MAKE SURE THE POWER IS OFF IN THE ELECTRICAL PANEL BOX BEFORE YOU DO ANY CLEANING OR REPAIRS



PRE-INSTALLATION ADVICE

WARNING

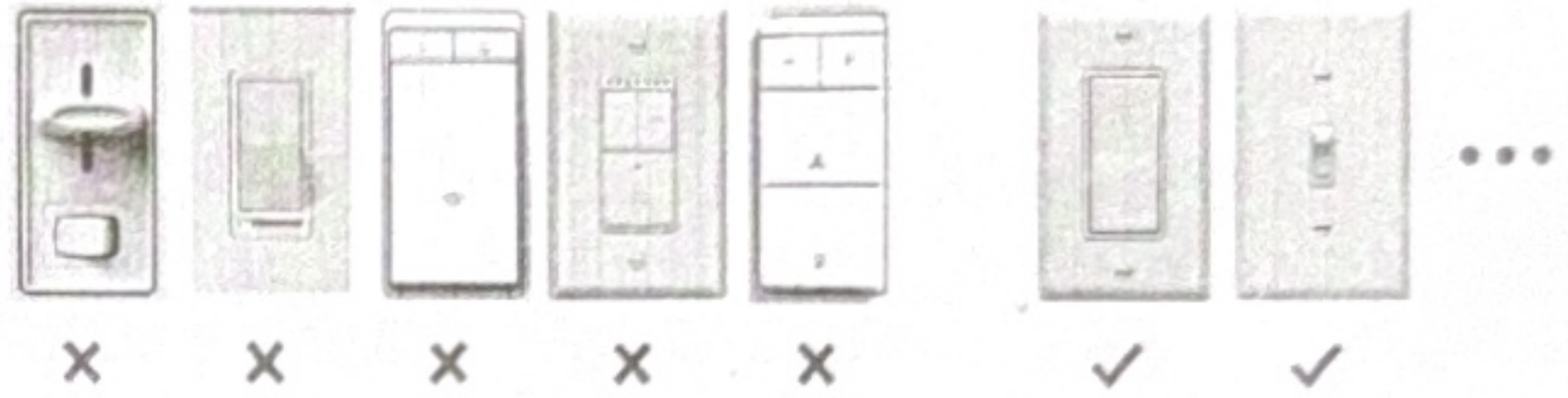
To avoid serious injury or death, turn off the power at the circuit breaker before installing the fan.



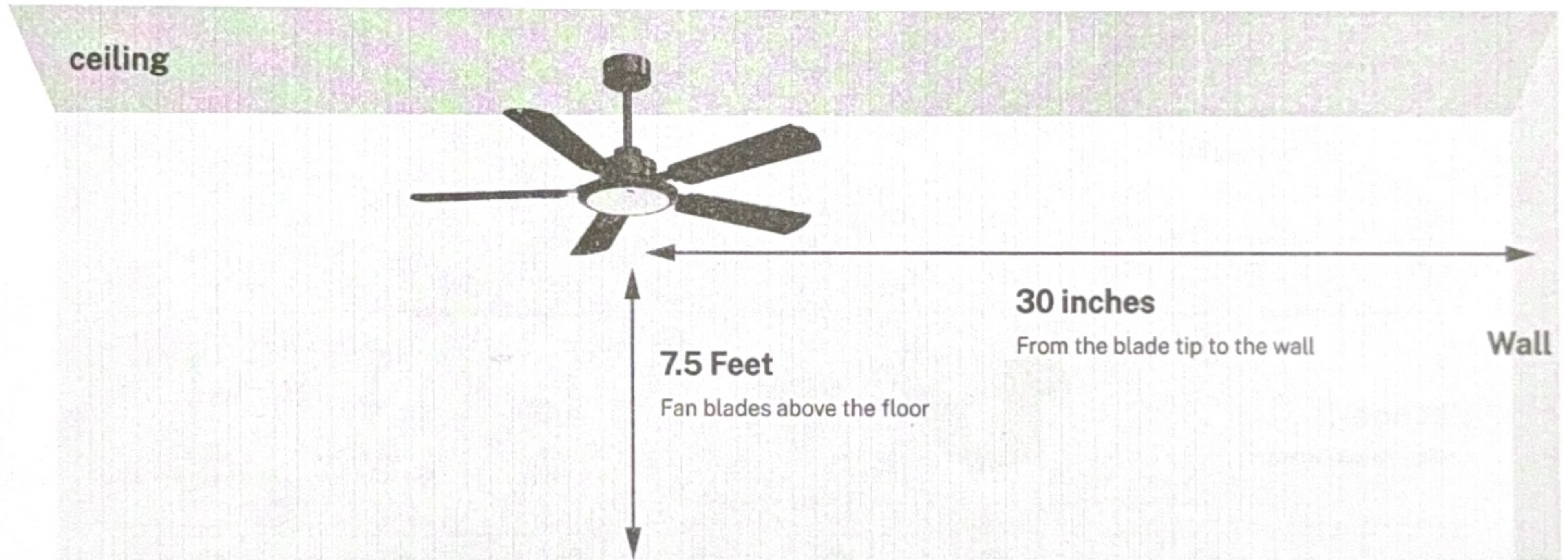
off

IMPORTANT

To avoid abnormal operation, do not connect the product to the dimmer switch or fan speed switch.



INSTALLATION DISTANCE REFERENCE



TOOLS NEEDED



Phillips Screwdriver



Wire Stripper



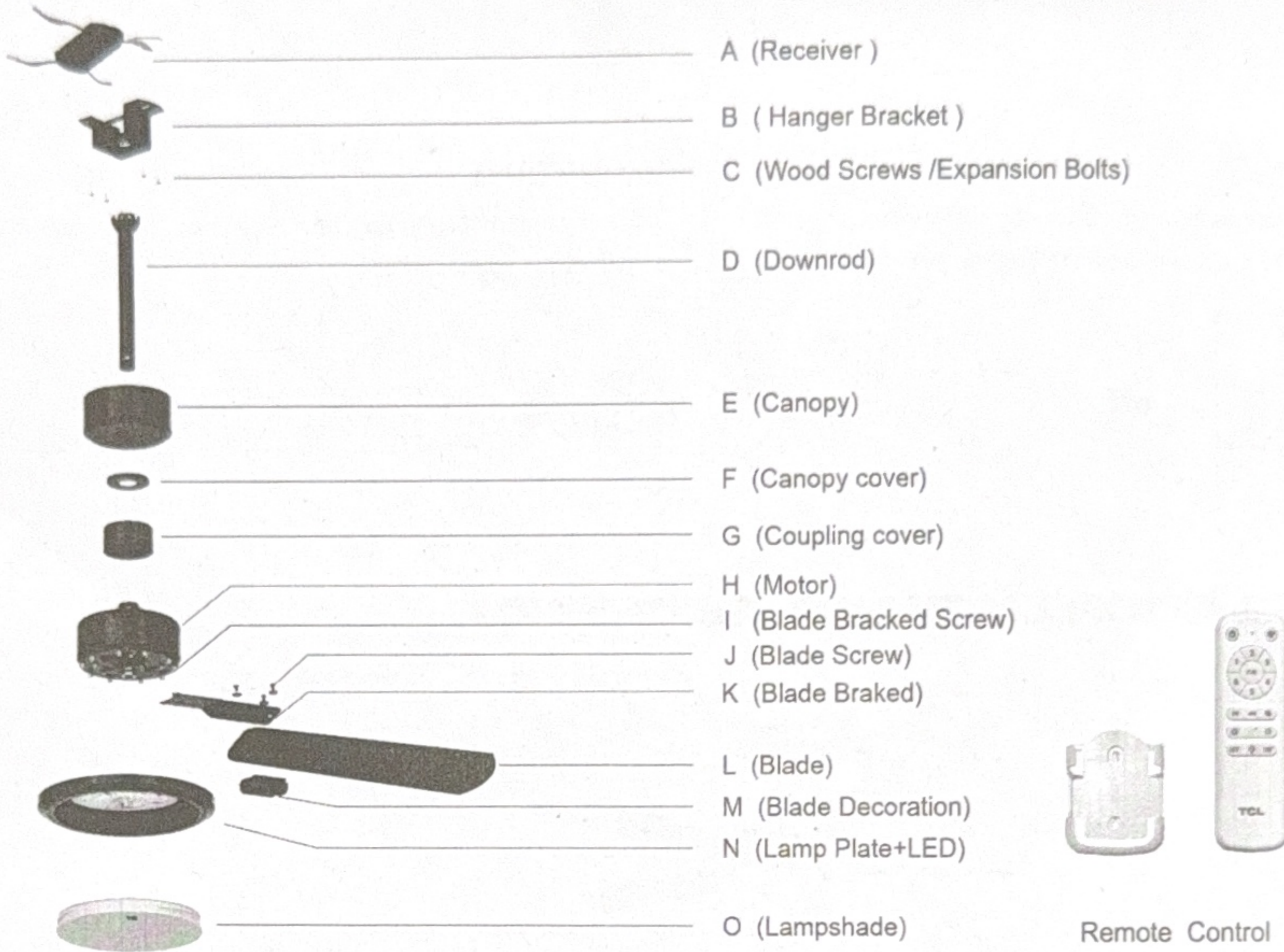
Step Ladder


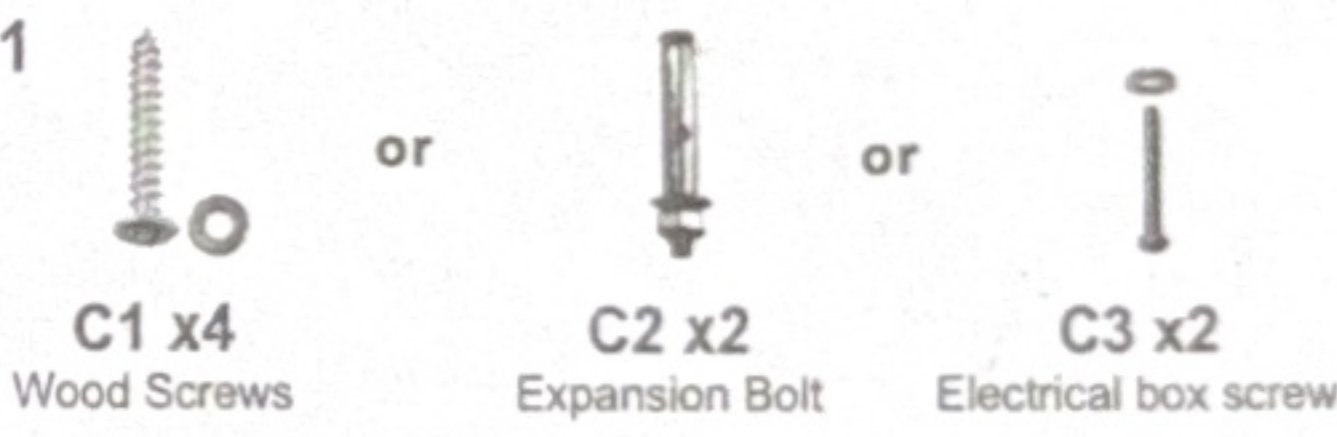













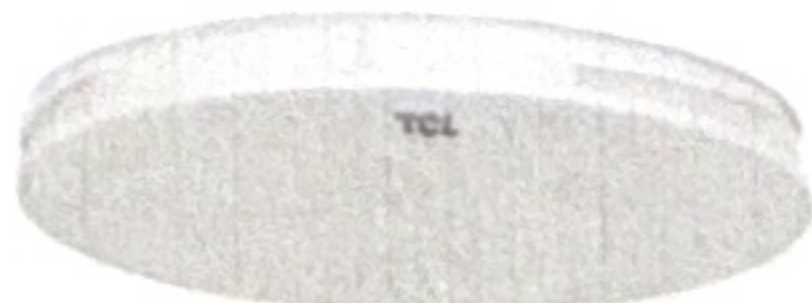


Safety Gloves



ACCESSORIES LIST



Section 1 Ceiling Hanger Bracket	B x1 	C x1  C1 x4 Wood Screws or C2 x2 Expansion Bolt or C3 x2 Electrical box screw					
Section 2 Receiver&Downrod & Motor	A x1 	D x2 	E x1 	F x1 	G x1 	H x1 	P x3 
Section 3 Blades	K x5 	L x5 		M x5 	I x1(Prepare) 	J x16 	
Section 4 Light Cover	N x1 		O x1 				

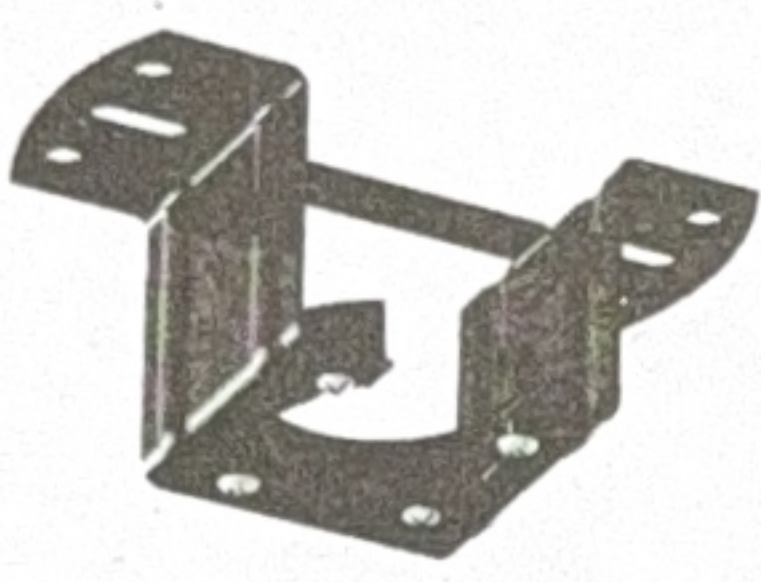
If any parts are missing or broken, please contact us.





Section 1

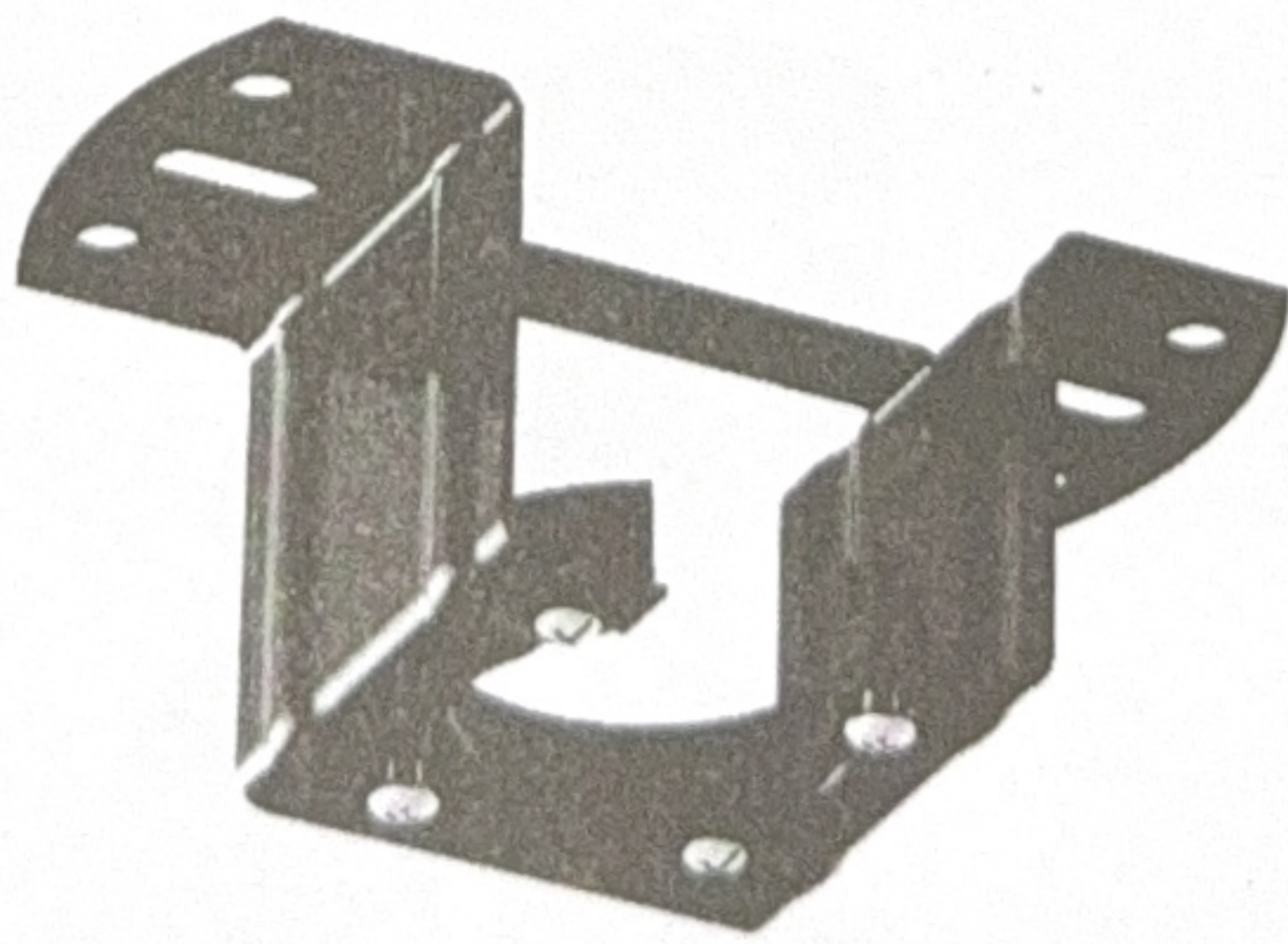
Ceiling Hanger Bracket

NEED EDACCESSORIES

B x1



		or		or	
C1 x4			C2 x2		C3 x2
Wood Screws			Expansion Bolt		Electrical box screw (Not included)





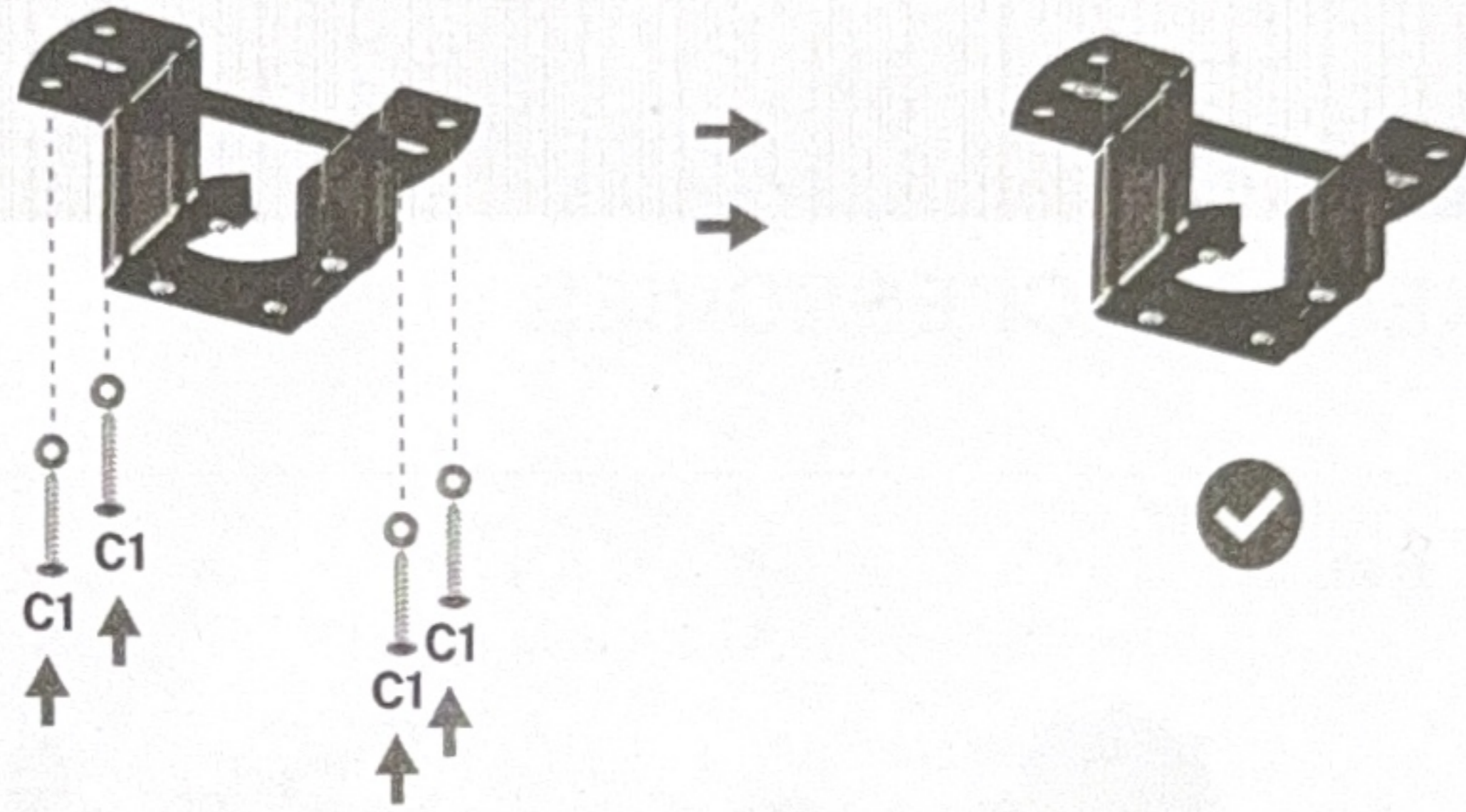
INSTALLATION STEPS

- Ceiling Hanger Bracket
- Receiver & Downrod & Motor
- Blades
- Light Cover



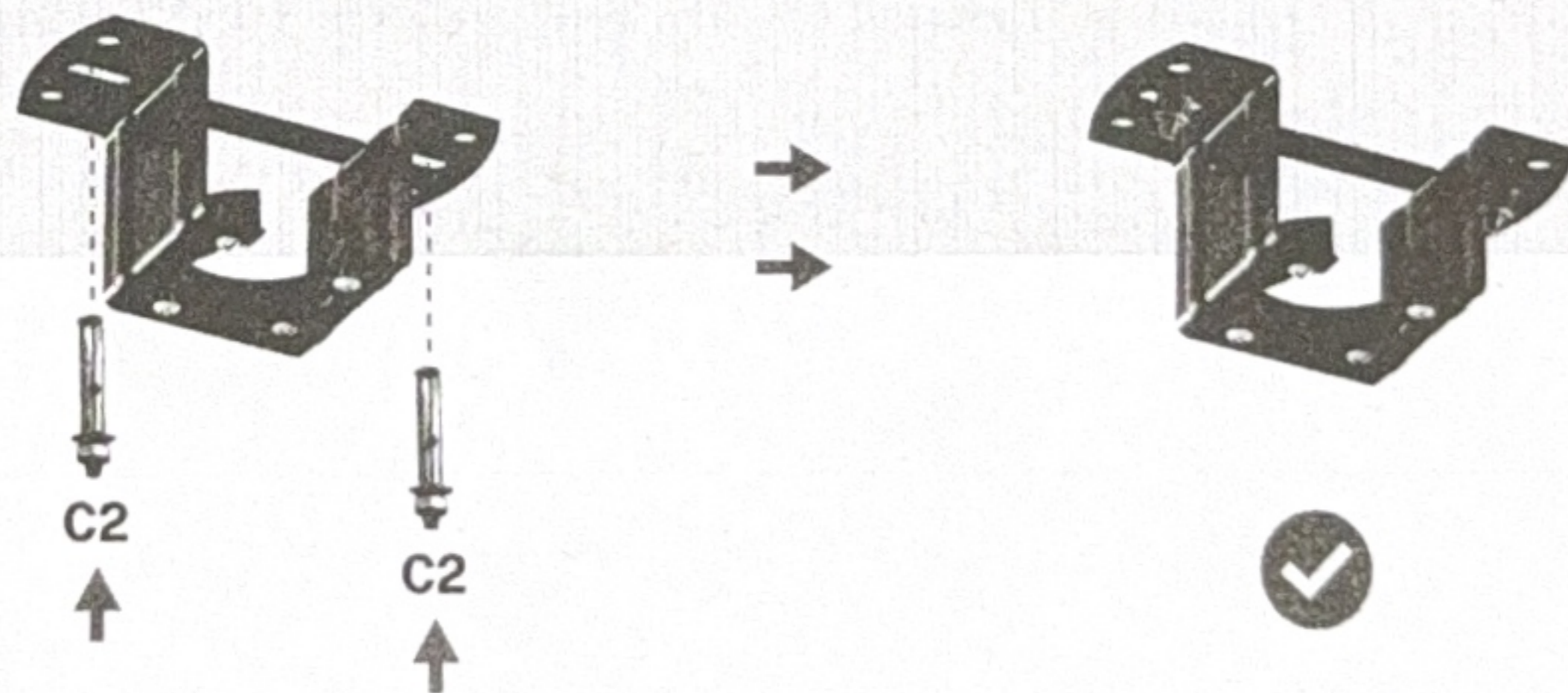
WOOD CEILING

ceiling



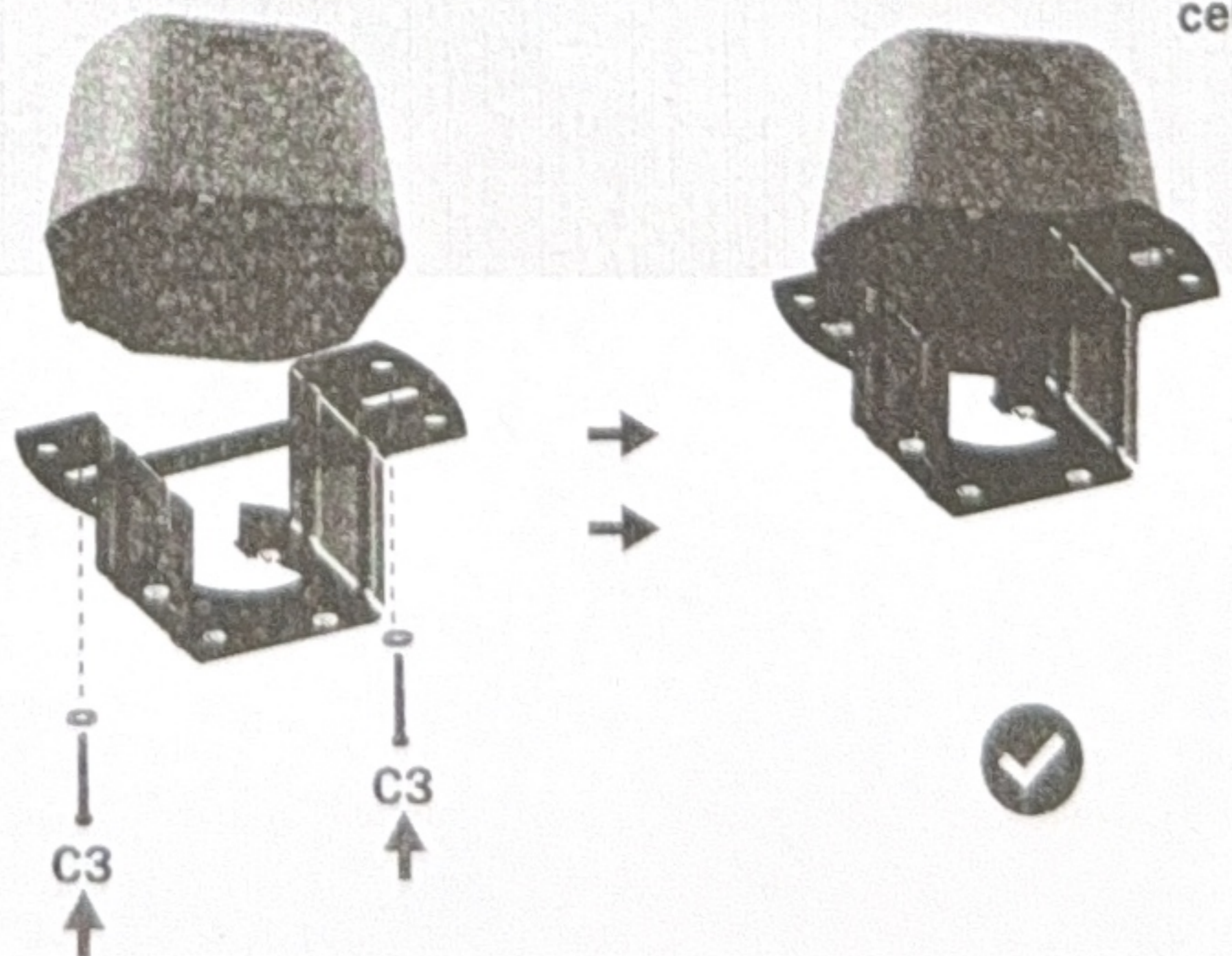
CONCRETE CEILING

ceiling



JUNCTION BOX

ceiling



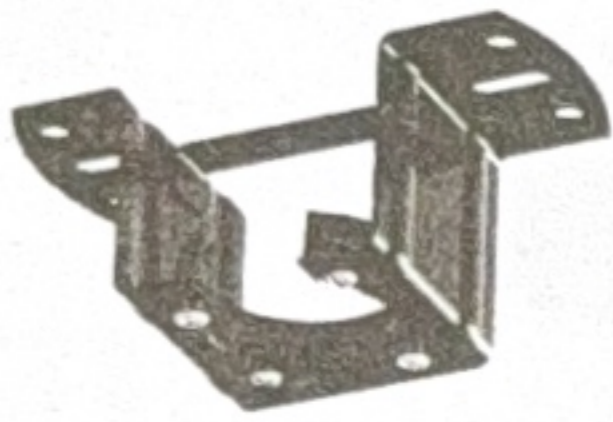
WARNING

To Reduce The Risk Of Fire, Electric Shock, Or Personal Injury, Mount To Outlet Box Marked (Acceptable for Fan Support of 15.9kg(35lbs) or less) And Use Mounting Screws Provided With The Outlet Box.

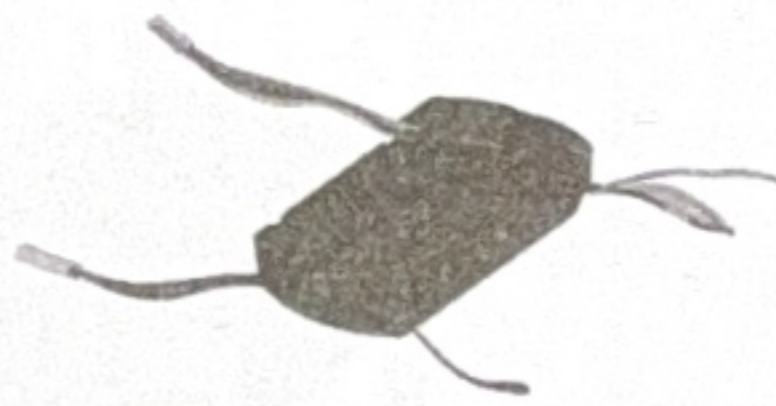
Section 2

Receiver & Downrod & Motor

NEED ED ACCESSORIES



section 1



Ax1



Dx2



Ex1



Fx1



Gx1



Hx1



Px3





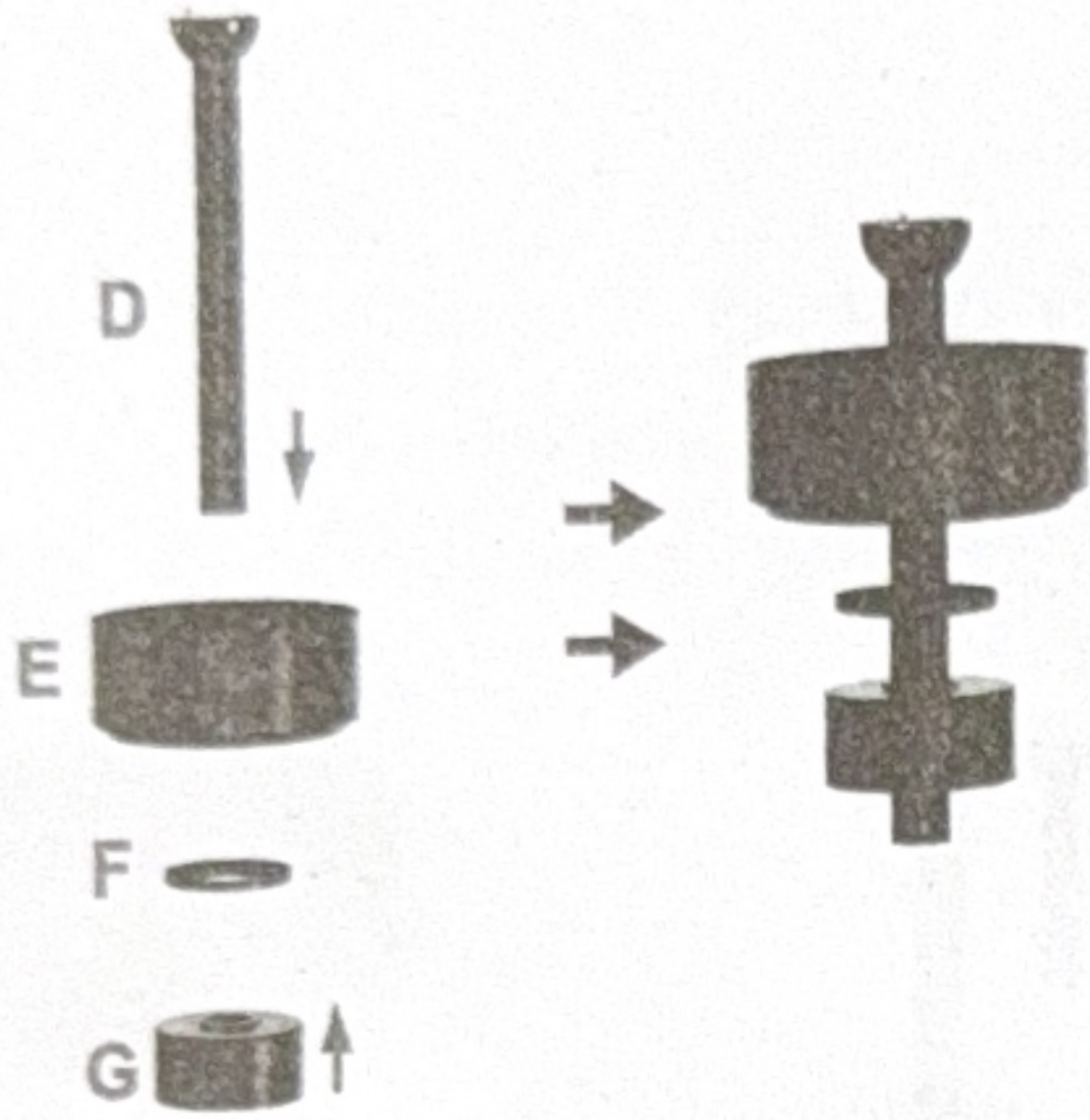
INSTALLATION STEPS

Ceiling Hanger Bracket
Receiver & Downrod & Motor
Blades
Light Cover



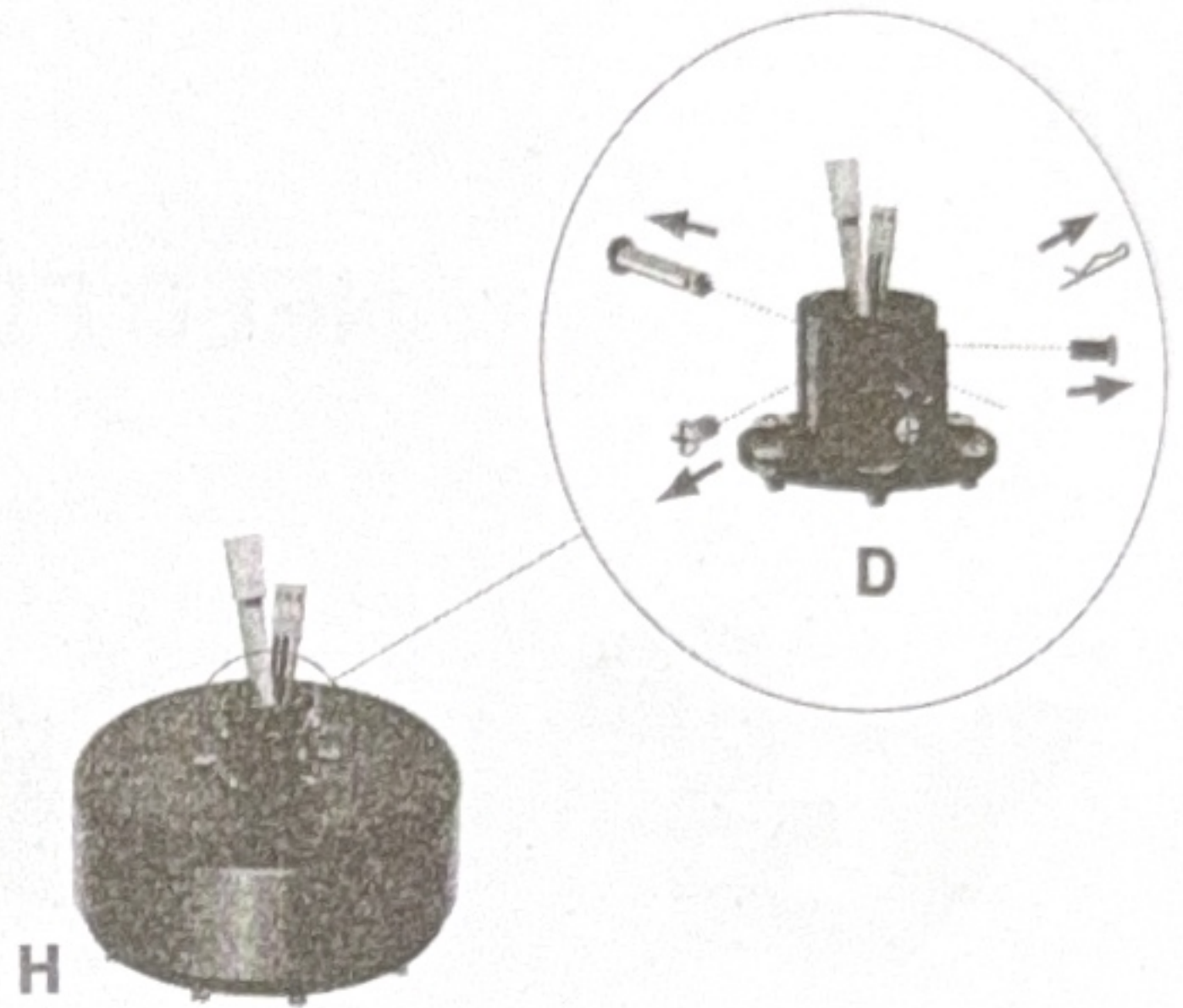
STEPS1

D offers two length options.



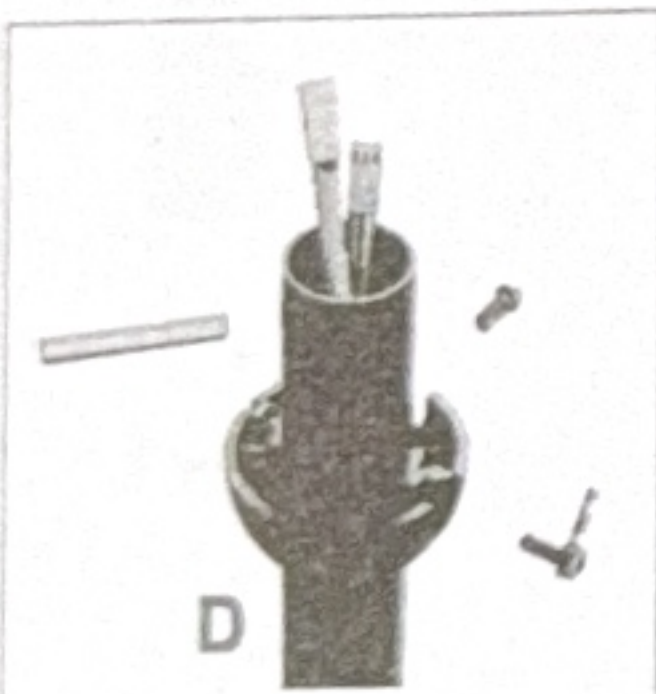
STEPS2

Loosen the screws pre-installed on the H.

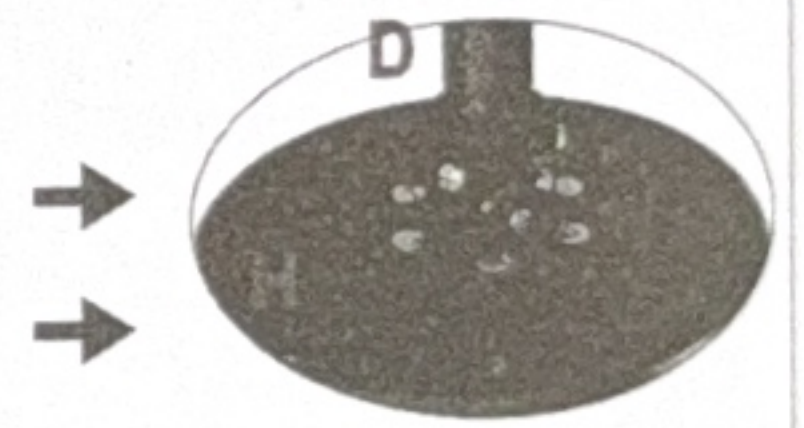
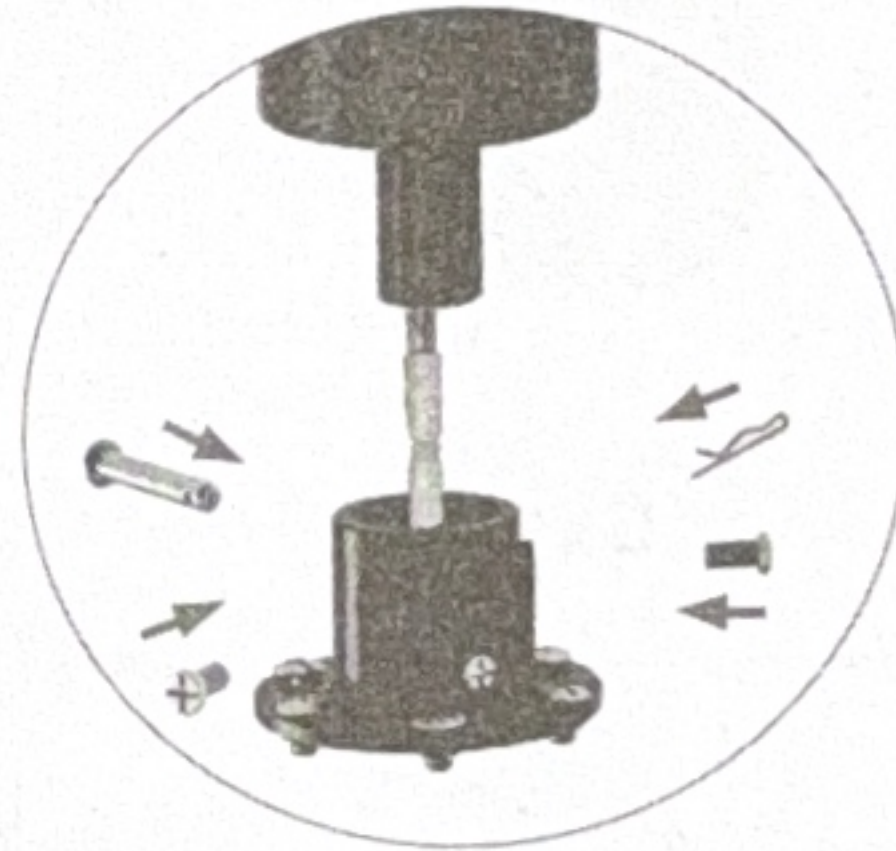
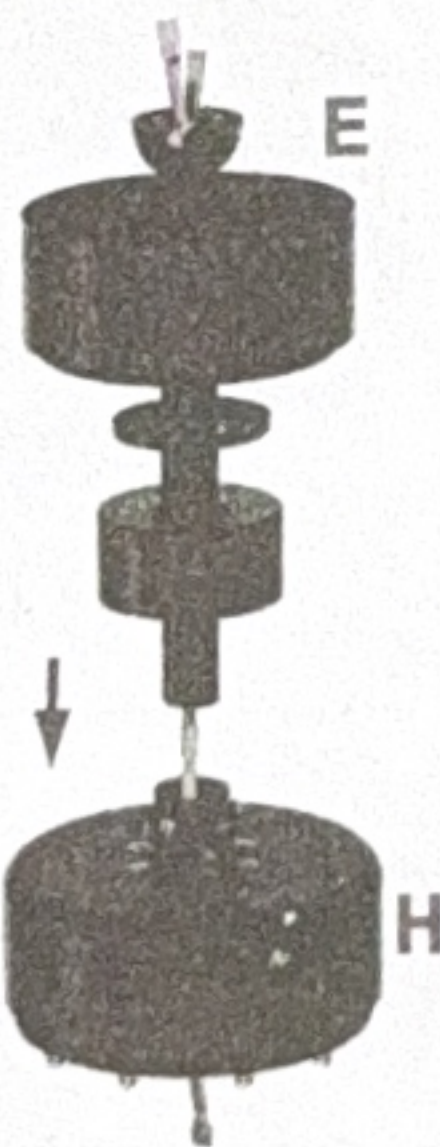


STEPS3

Passing the wire through D.

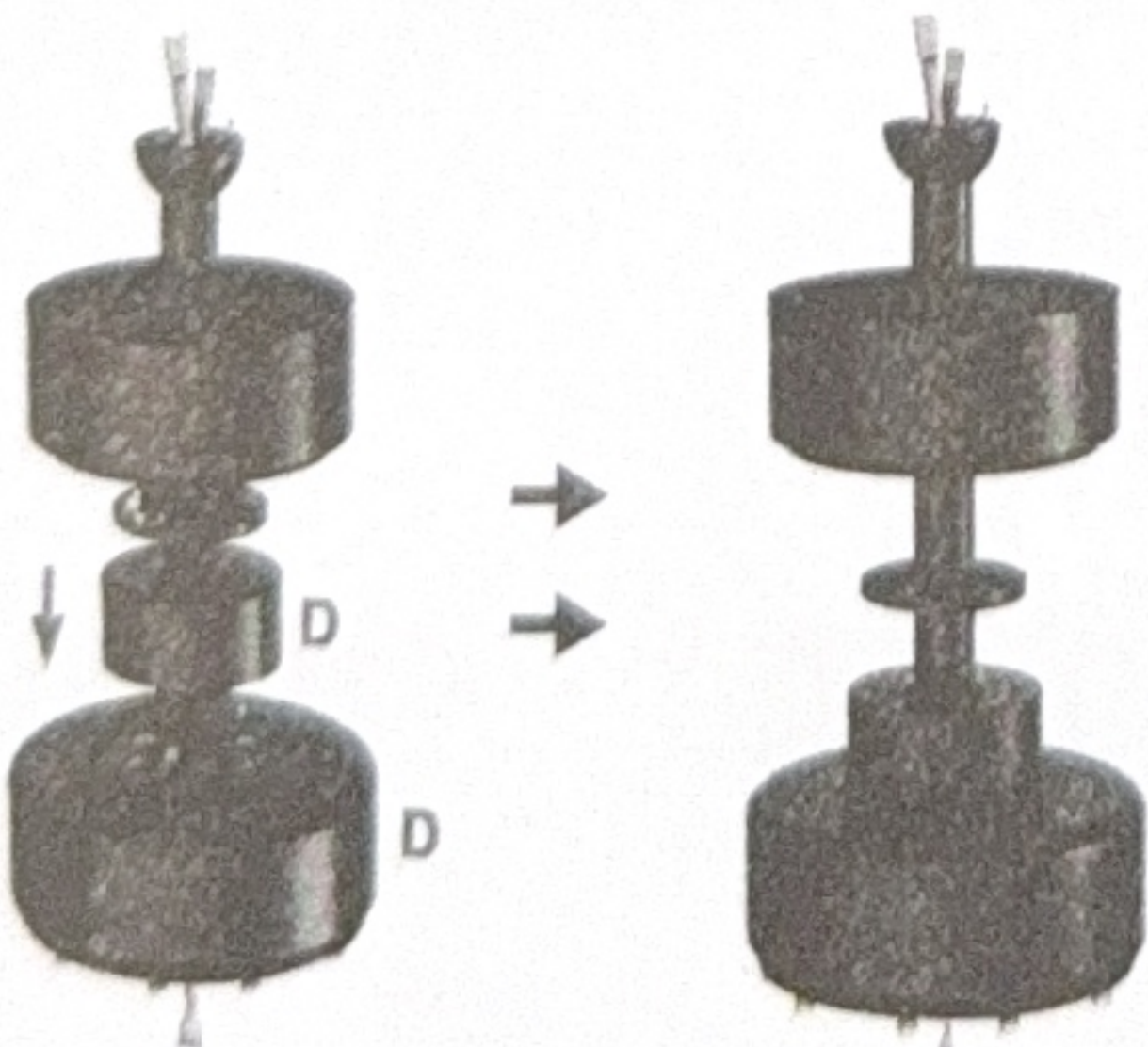


Tip:
If you are having trouble
threading a cable, you
can remove this connector
and put it back on after
threading.

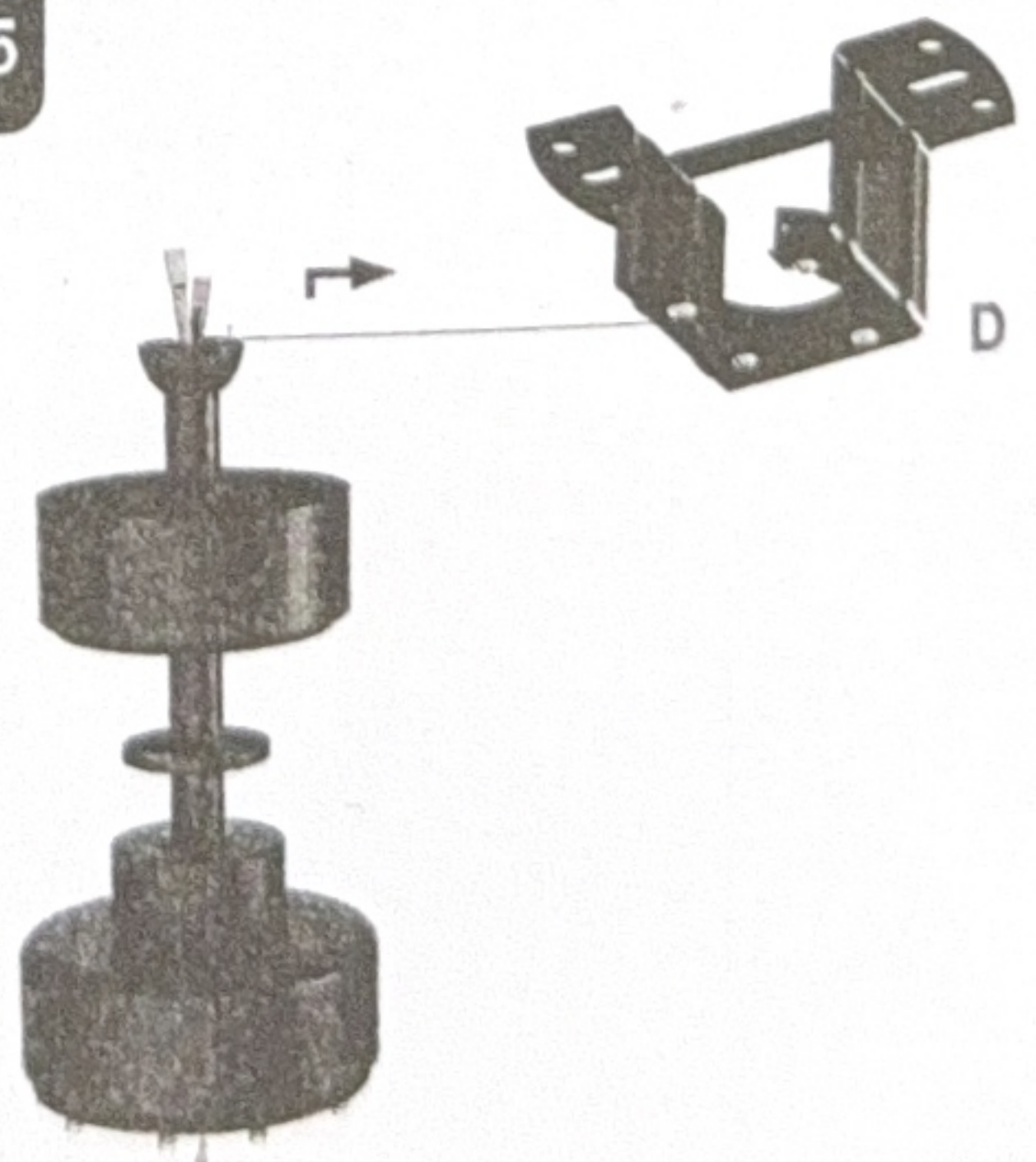


! Make sure the screws
are fully locked.

STEPS4



STEPS5





INSTALLATION STEPS

- Ceiling Hanger Bracket
- Receiver & Downrod & Motor
- Blades
- Light Cover



STEPS6

Align the screw slot and insert it, then rotate counterclockwise to fix it

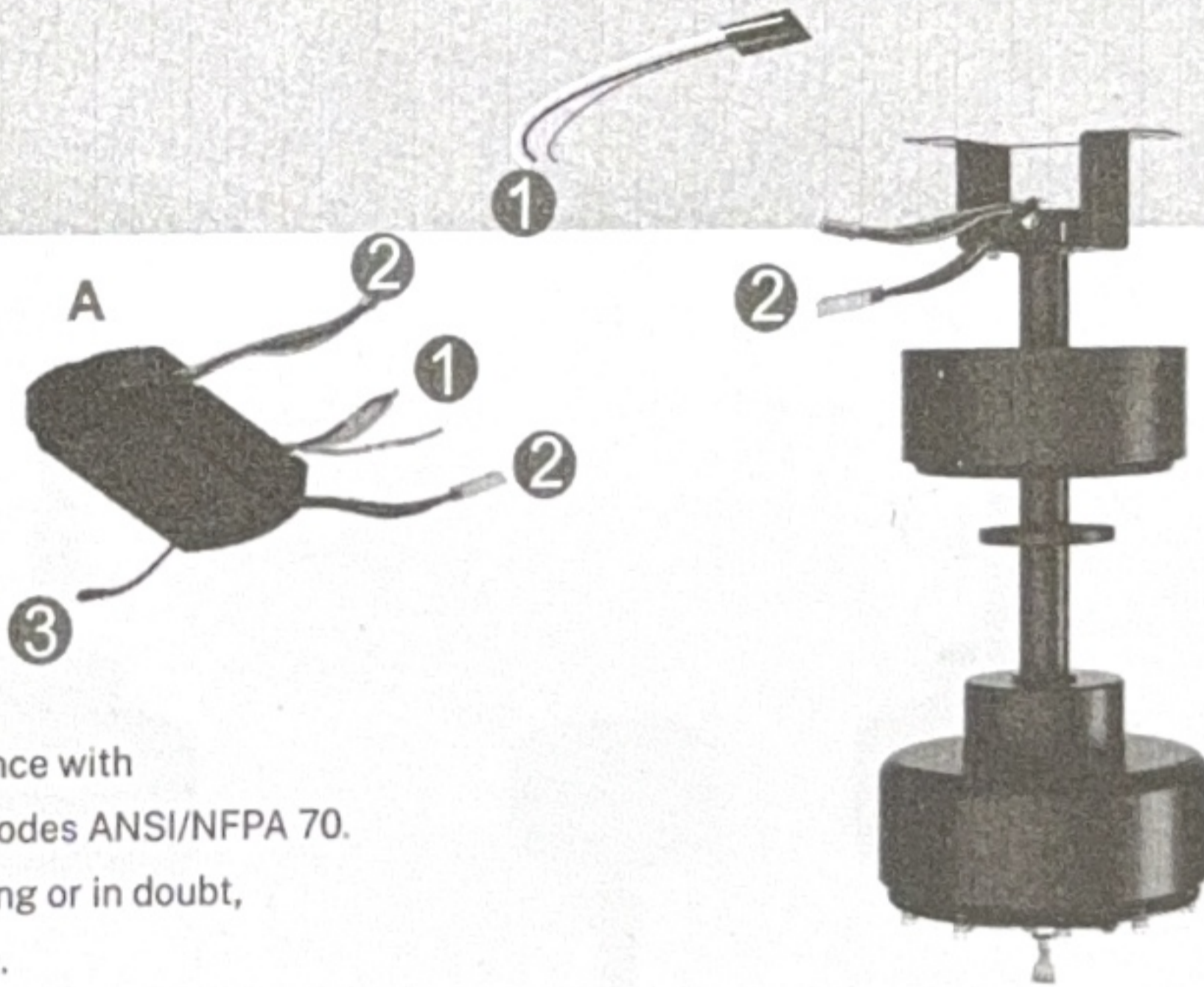
ceiling



Important:
Make sure the downrod ball (I) engages the ridge (II) on the mounting bracket

STEPS7

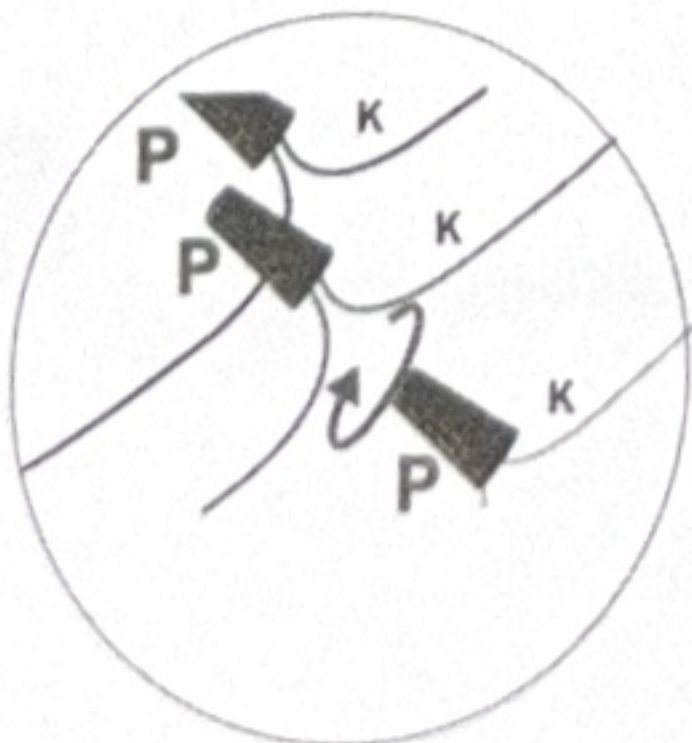
ceiling



Please put the controller (A) into the bracket (B) first before wiring.

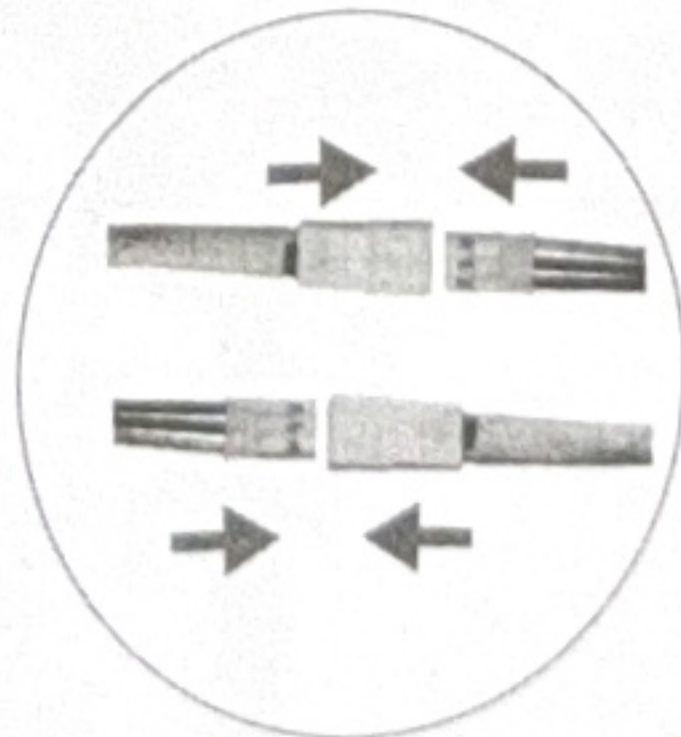
⚡ WARNING

All wiring must be in accordance with national and local electrical codes ANSI/NFPA 70. If you are unfamiliar with wiring or in doubt, consult a qualified electrician.

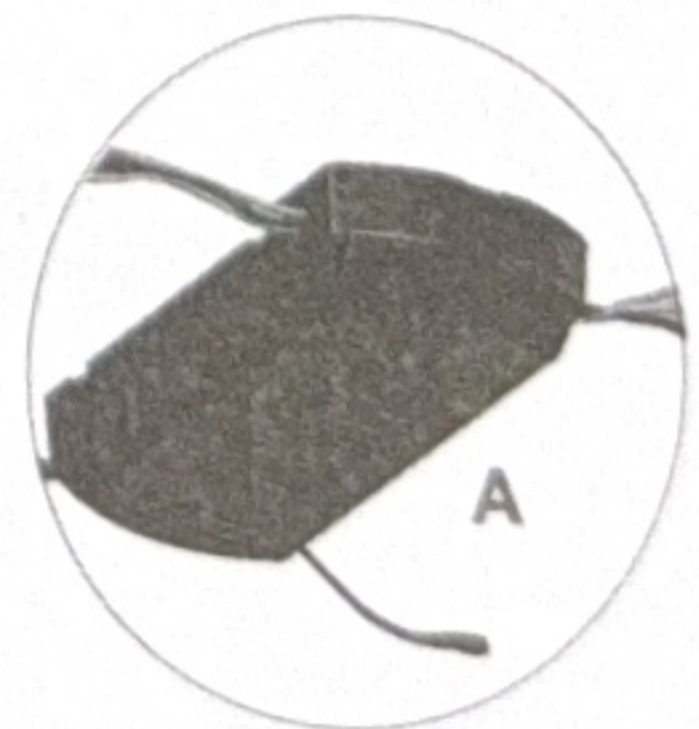


Black ---Live wire
White ---Neutral wire
Green ---Earth

⚠ Ground wire color may not match actual color, please be careful to identify.



Make sure the pairs are inserted tightly.

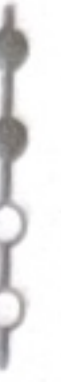


Make sure the antenna is not squeezed.

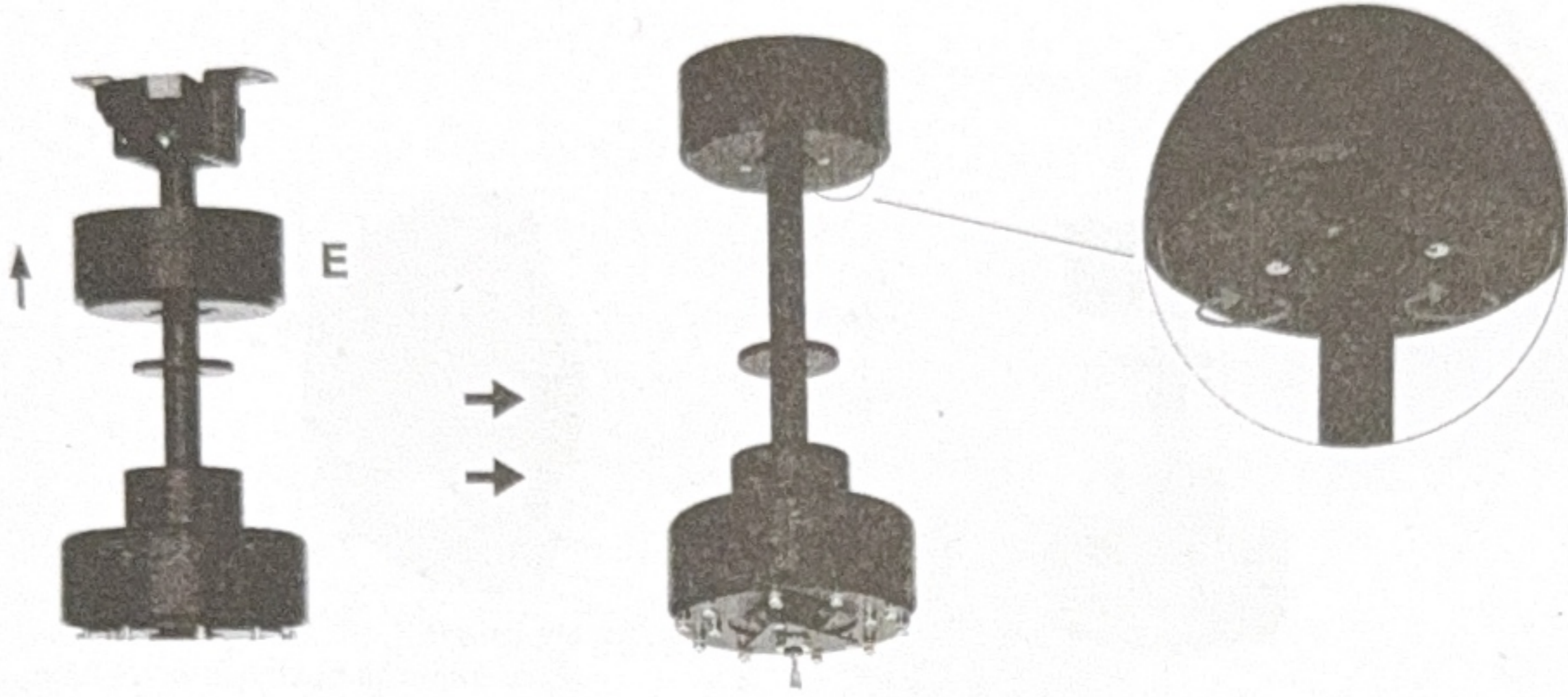


INSTALLATION STEPS

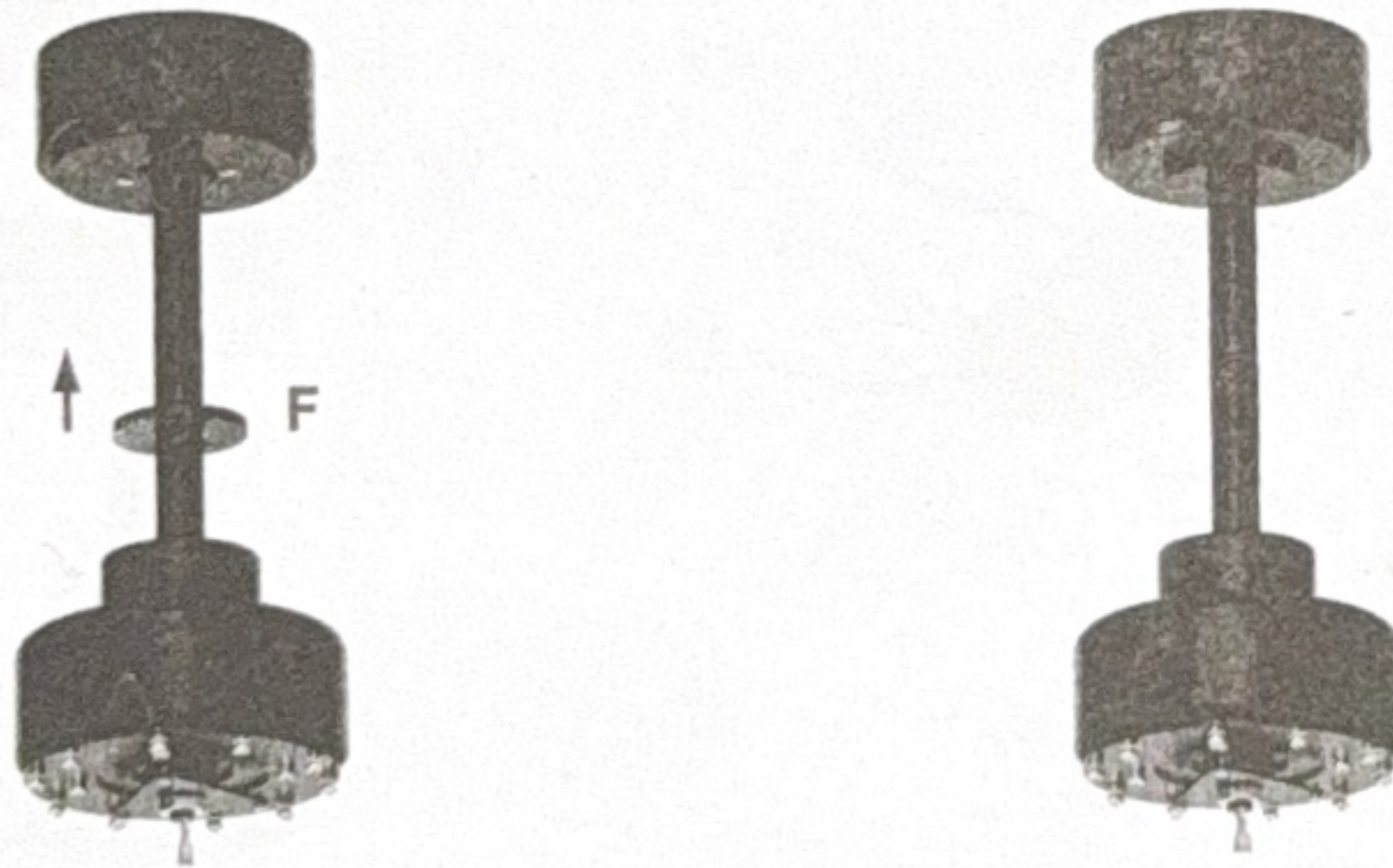
Ceiling Hanger Bracket
Receiver & Downrod & Motor
Blades
Light Cover



STEPS8



STEPS9



Section 3

Blades

NEED ED ACCESSORIES



section 2



Kx5



Lx5



Mx5



Jx16

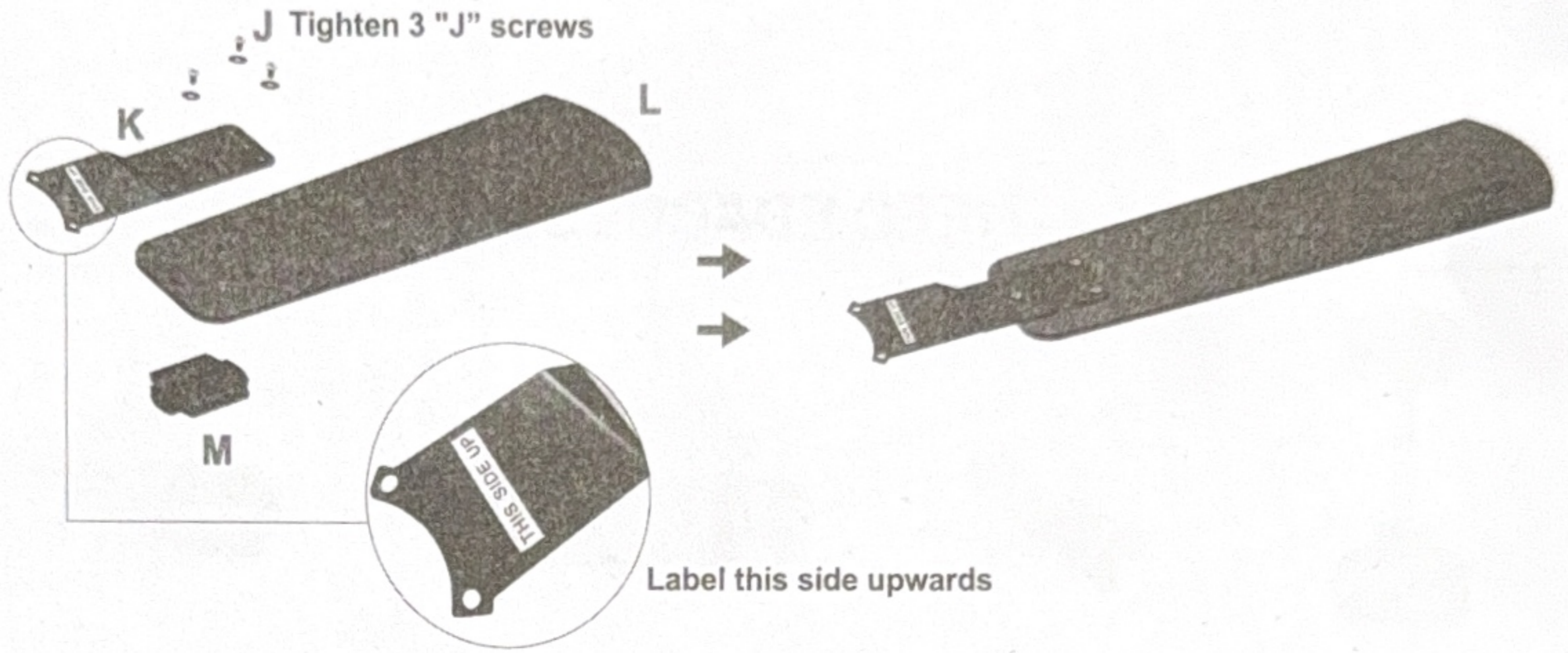




INSTALLATION STEPS

Ceiling Hanger Bracket
Receiver & Downrod & Motor
Blades
Light Cover

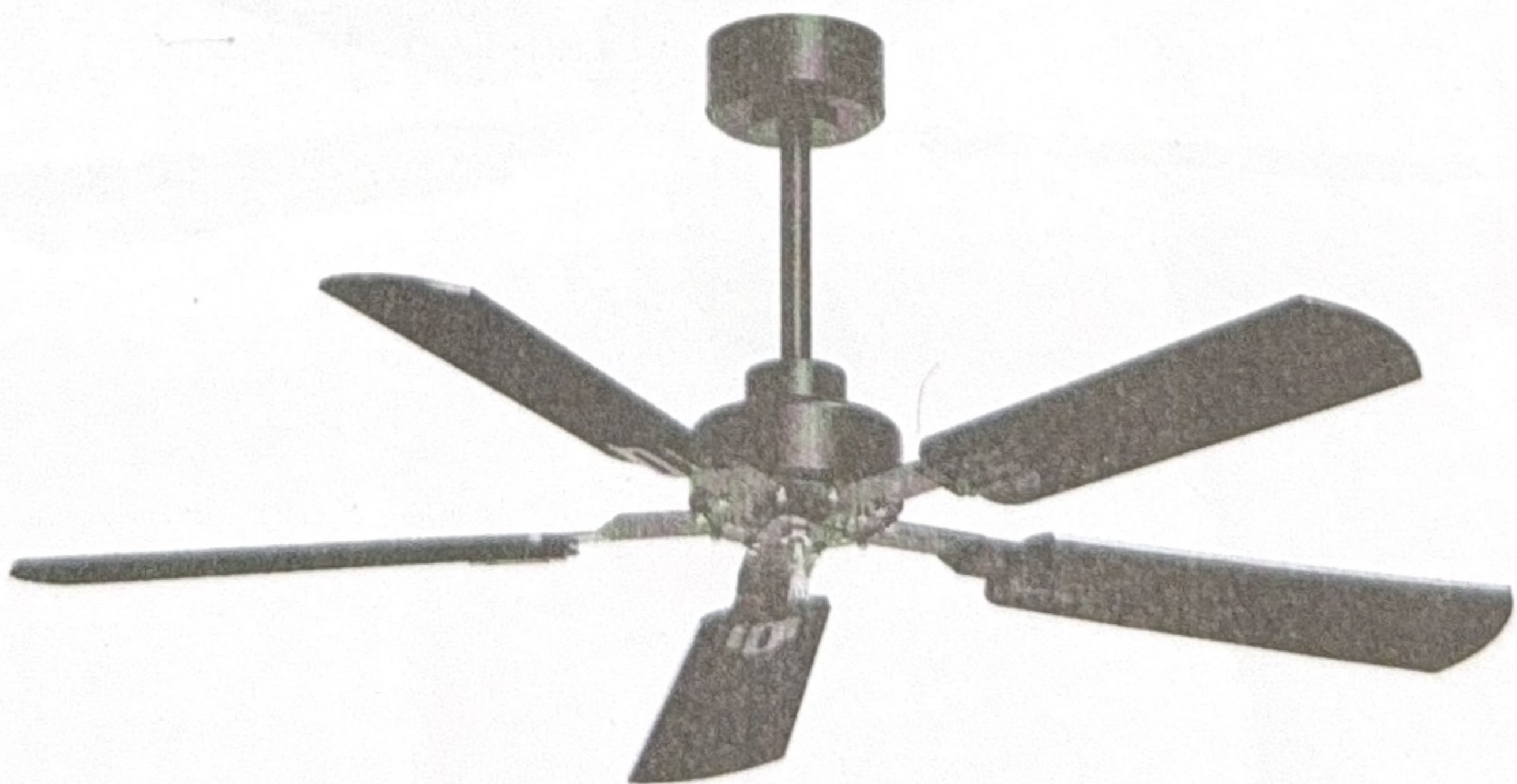
STEPS1



STEPS2



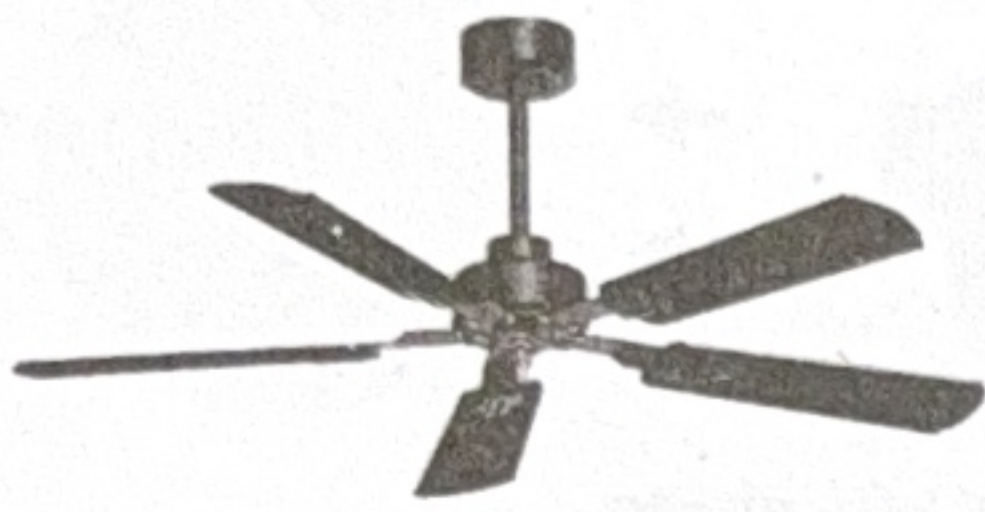
STEPS3



Section 4

Light Cover

NEED EDACCESSORIES



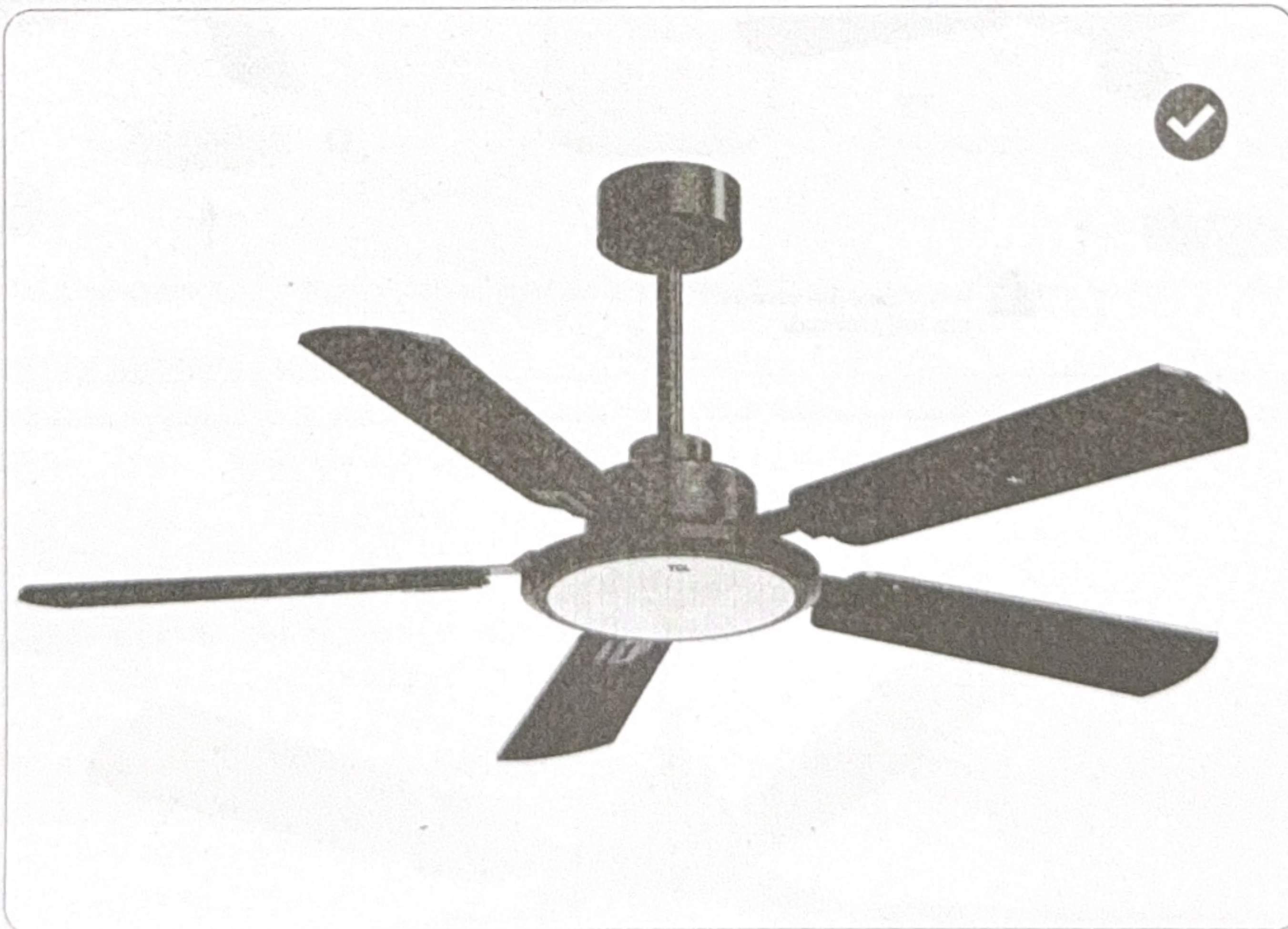
section 3



Fx1



Gx1

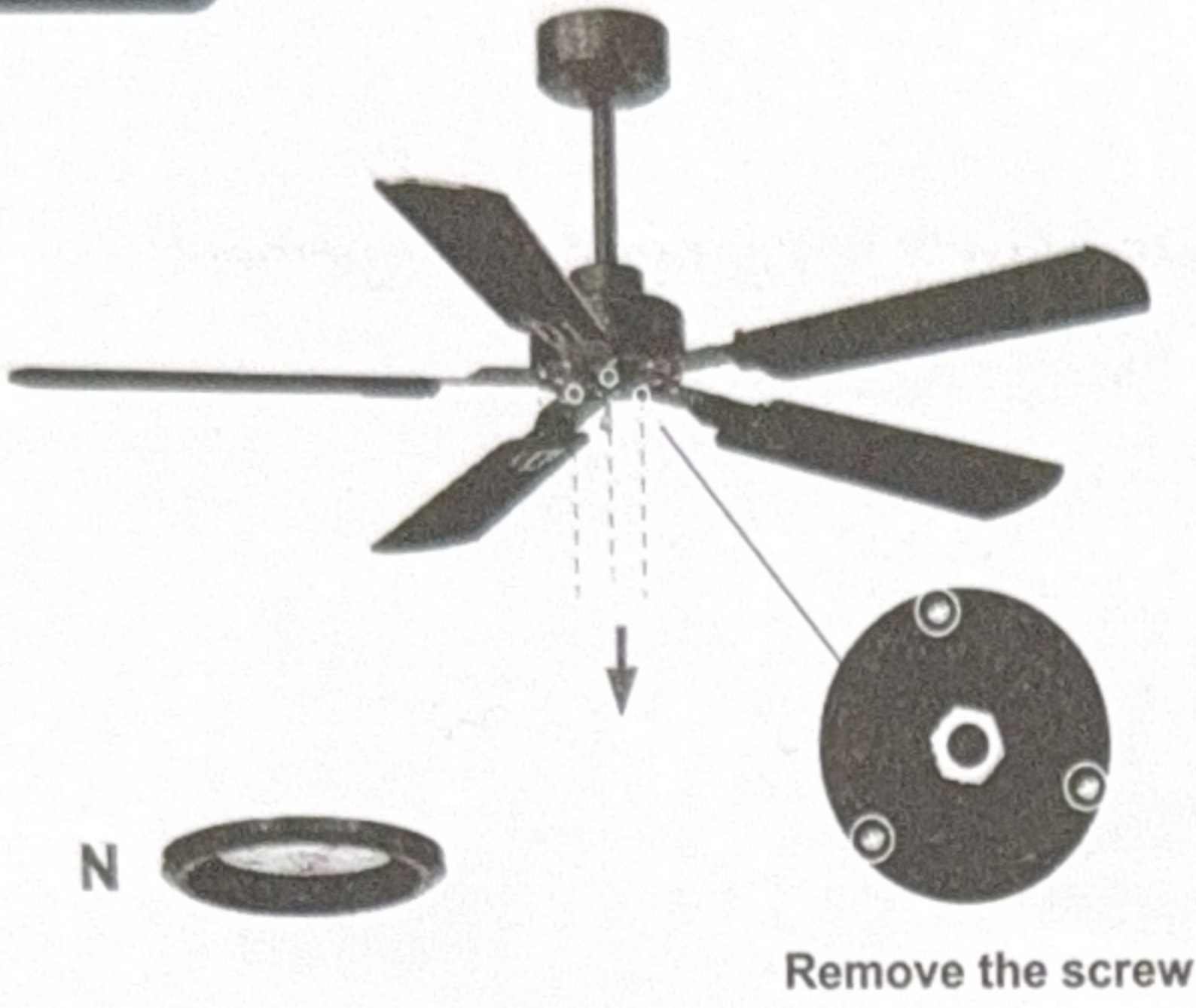




INSTALLATION STEPS

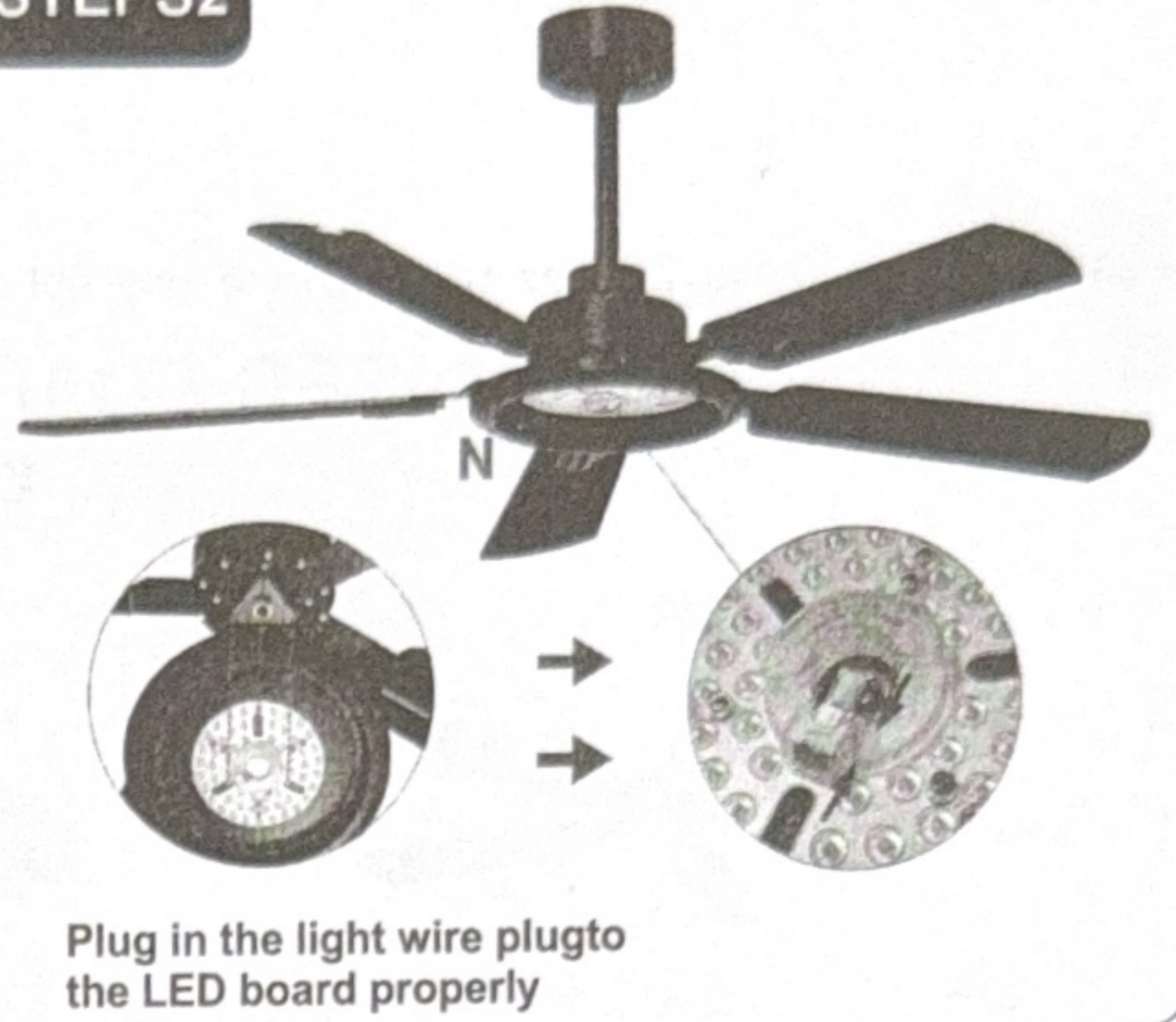
- Ceiling Hanger Bracket
- Receiver & Downrod & Motor
- Blades
- Light Cover

STEPS1



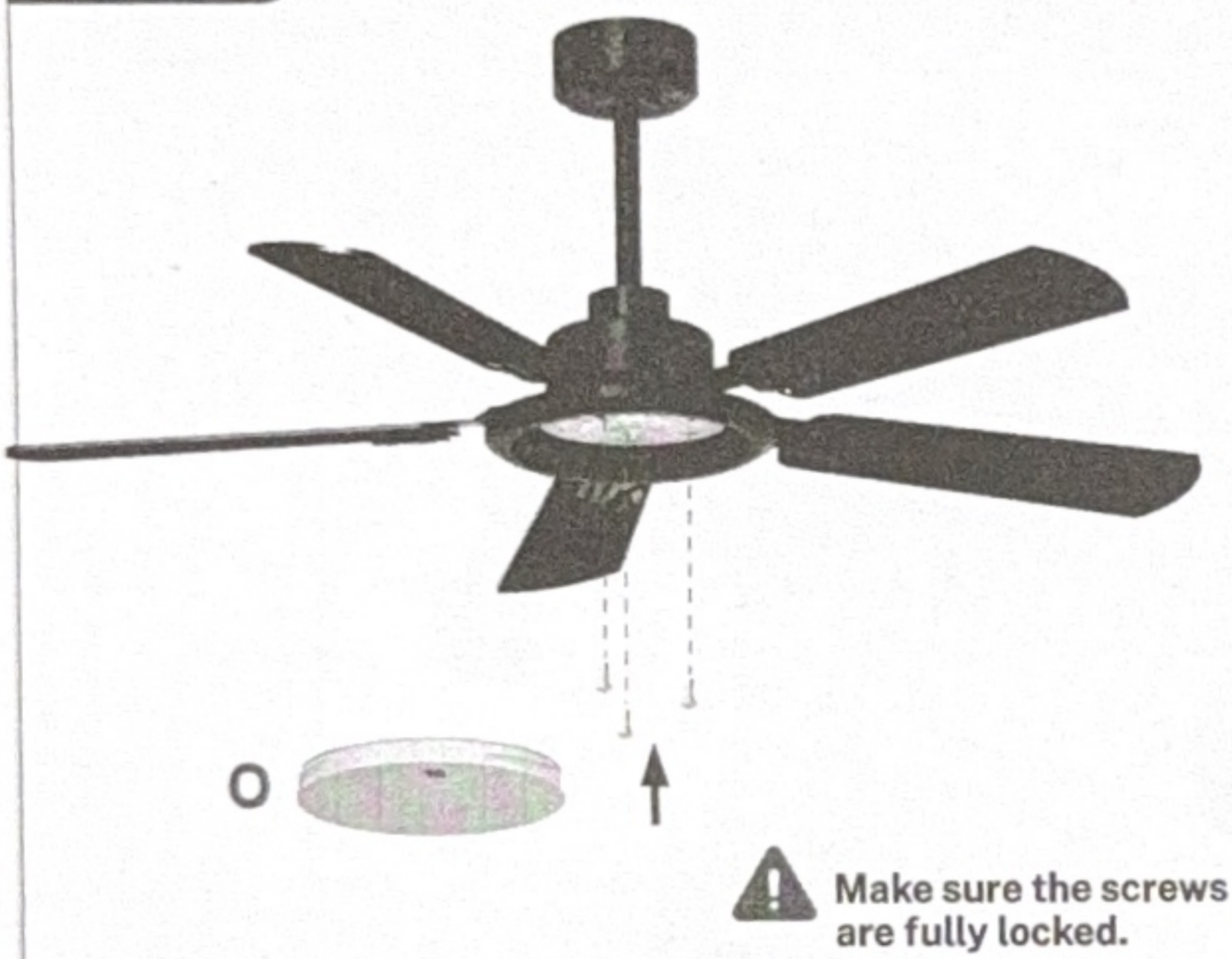
Remove the screw

STEPS2



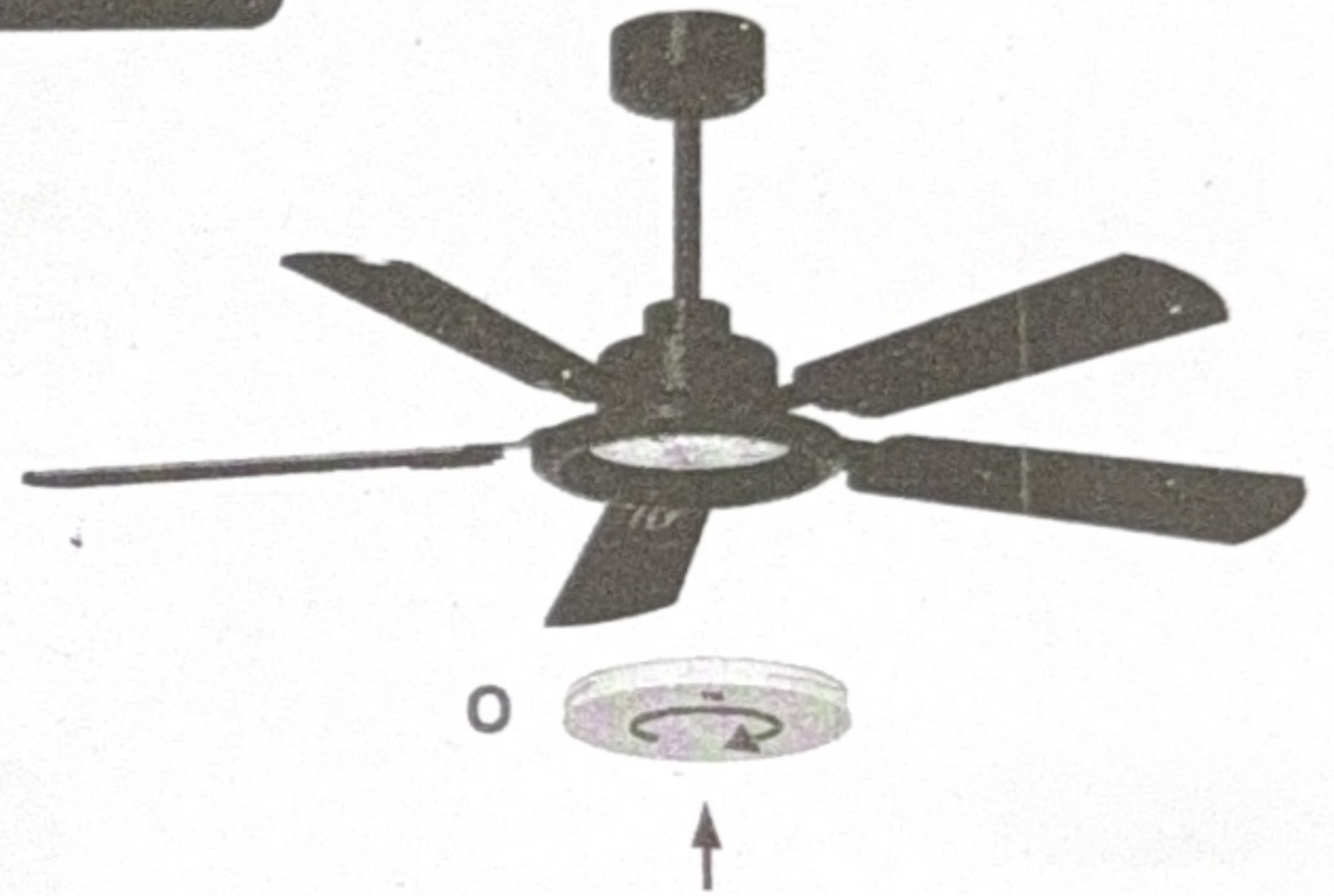
Plug in the light wire plug to the LED board properly

STEPS3



! Make sure the screws are fully locked.

STEPS4





REMOTE CONTROL



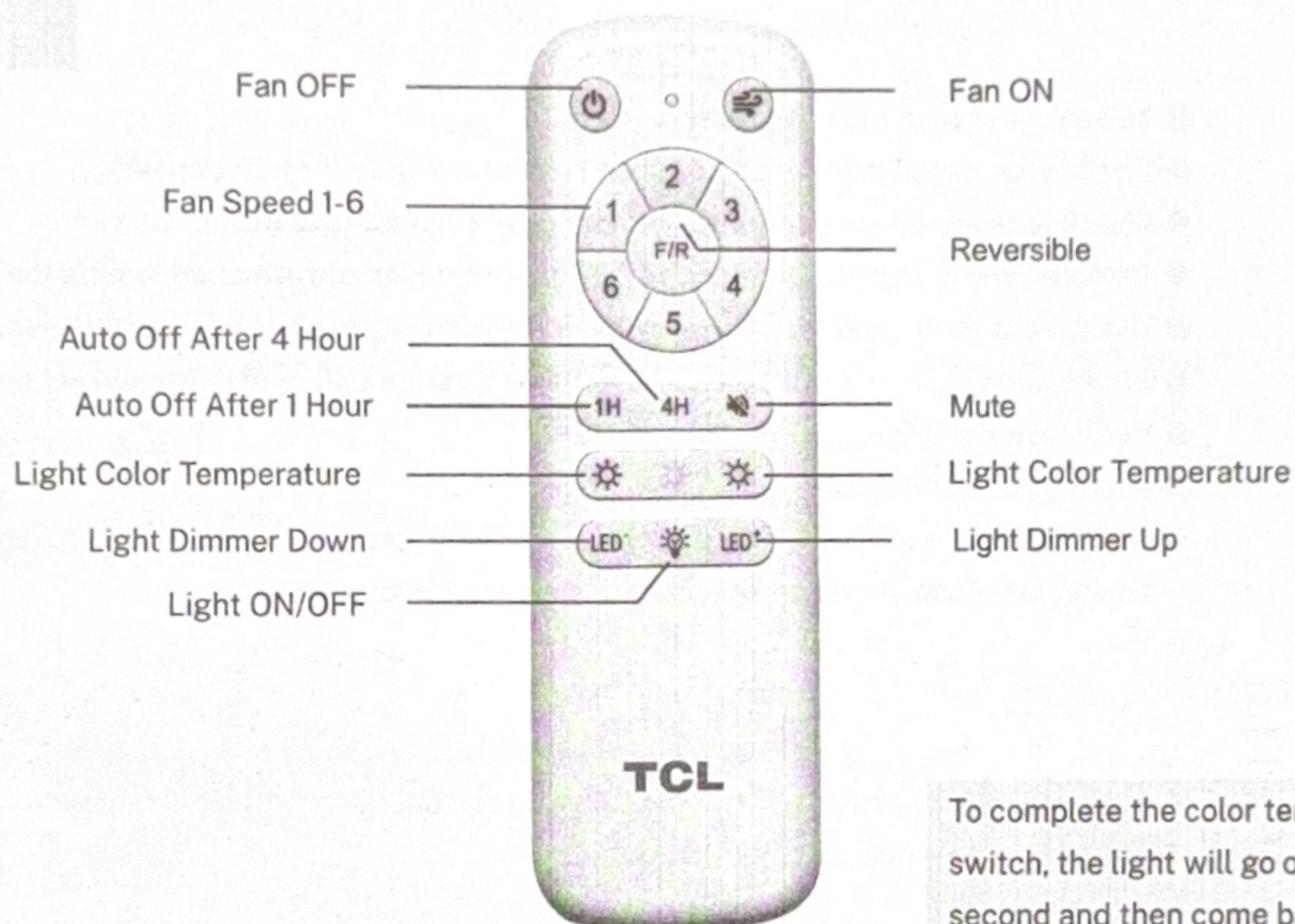
Install 1.5*2 volt battery.

(To prevent damage to transmitter, remove the battery if not used for a long time)

Do not place the remote control in an excessively hot or humid environment

-Remote Control Buttons -

Anti theft function: Turn on the light every 2 hours for 5 minutes.



To complete the color temperature switch, the light will go out for 1 second and then come back on again

Natural wind

Simulates natural wind, runs from 1st to 6th gear, then automatically runs from 6th to 1st gear, and then cycles back and forth.

color temperature memory function

First select the color temperature you often use, turn off the light for more than 10 seconds and then turn it on again, the color temperature will keep the state before turning off. Color temperature will switch if turned on for a short period of time (less than 10 s)

Q: How do I re-pair the remote control with the fan if the remote control is operating abnormally?

A: The remote transmitter should already be paired to the receiver and ready to use. You can strengthen the connection between the remote control and the ceiling fan through the following operations:

1. Turn off the power to the fan and then turn on the power.
2. Within five seconds of turning on the power, press and hold the "setup" button with the remote control for more than five seconds, and pairing is complete.

(To prevent faulty operation, please ensure all other ceiling fans within range are turned off at the wall switch while pairing.)





COMMON TROUBLESHOOTING



NOISE

When it is quiet (especially at night) you may hear occasional small noises. This is normal. Please allow a 24-hour "breaking-in" period, most noises associated with a new fan disappear during the time.

Your fan may occasionally jerk forward or backward upon starting up. This is normal and does not affect the fan operation. Try these troubleshooting steps before contacting customer service.

Problem

Solution

Fan not spinning

- Make sure the fan is getting power.
- Check your circuit breaker or fuse panel and wall switch for functionality.
- Check to make sure the fan wires are correctly connected to the house wires.
- Remote control must be paired with the fan within 1 minute after connecting the fan to the electricity
- Use a multi-meter and test the adapter wiring harness to see if there is any electrical output
- All the pin wiring on the circuit board must be inserted tight and in the correct position.
- Remote needs to be paired with the fan first.
- Make sure the fan blades spin freely.
- If you're using a wall control, check the power to the breaker from your control and try working your ceiling fan manually. (Normal switch only for the fan power on/off)

Fan light not Working

- Make sure LED wires are connected to the circuit board.
- Make sure the whole fan is powered.

The fan is noisy and wobbling

- Check if the blade screws are NOT rubbing against any part of the motor housing.
- Check the pin wires are NOT connected against any moving parts.
- Check the down fan cup is NOT hitting the motor.
- Confirm the canopy is NOT touching the ceiling while the fan is in operation.
- Check the down rod is NOT slanted.
- Tighten any loose screws on the light kit, fan blades, motor coupling, down rod, brackets and mounting hardware.
- Confirm the hanger ball is firmly seated in the mounting bracket.
- The ceiling beam must meet the minimum tensile test strength of 30KG for installation.
- Make sure the blades and brackets are NOT bent or deformed.
- Verify the wire connections are not rattling against each other.
- Verify the fan blades are not cracked. If the fan blades are cracked, replace the damaged blades with a new blade set from the same brand as your ceiling fan to ensure compatibility.
- Confirm the light kit is NOT slanting and hitting the motor.

The fan or light automatically turns on/off

- Confirm the circuit breaker is not malfunctioning.
- Verify the wire connections are not frayed.
- Check the app is not set to a timer or schedule.
- Cut the fan power for 10 minutes then power on again.
- All the pin wiring on the circuit board must be inserted tight and in the correct position.



CUSTOMER SERVICE

01

30-Day Return Policy

If you're not completely satisfied with your purchase, simply return the merchandise via Amazon Orders. Unused merchandise can be refunded or exchanged within 30 days from the original purchase date.

02

2-Year Warranty

We take user experience very seriously. We provide you with good after-sales service, motor is guaranteed for ten (10) years and the whole fan warranty for two (2) years. If your appliance fails to operate properly within our warranty period, we will arrange a new replacement free of charge and cover all the shipping costs.

03

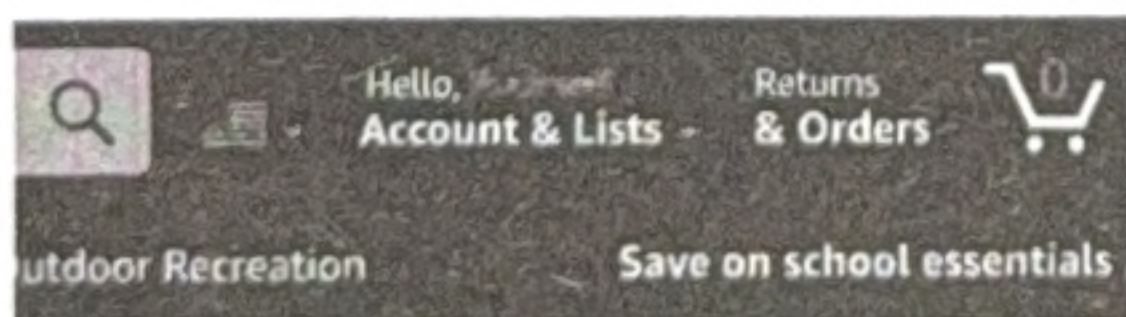
Quick Response within 12 Hours

If you are still unable to resolve the issue you are experiencing, please contact us immediately at our support email. It doesn't matter if the product has been installed, our customer support team will respond within 12 hours and assist you quickly and efficiently. The most efficient way to confirm your problem to us is to attach a video illustrating your product issue.



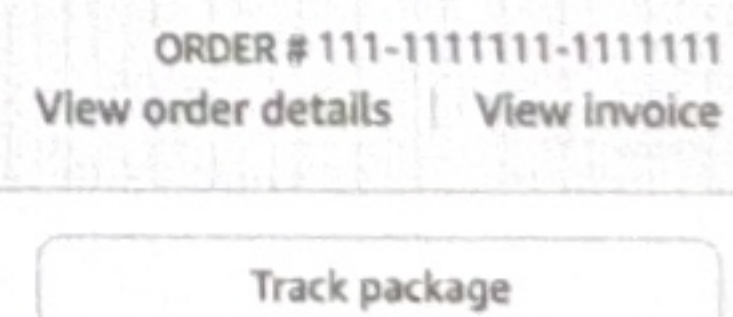
CONTACT US

Step 1



Log into your Amazon.com account, click "Returns & Orders" on the top-right corner.

Step 2



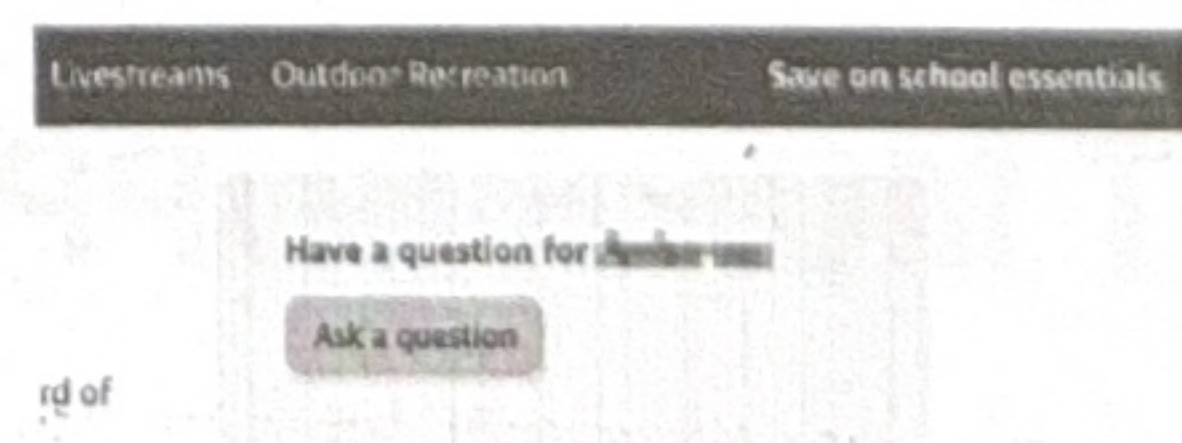
Click the "Store Name" following the Sold by, below the product title.

Step 3



Click the "Store Name" following the Sold by, below the product title.

Step 4



Click the yellow button "Ask a question", on the top-right corner, to contact the seller.



Should you experience any issues while operating any of our products, you can directly reach out to our Customer Support via Amazon Orders. Or you can send your inquiry to our Official Customer Support at:

Contact via Email: lightservice@tcl.com

GET MORE SUPPORT

MADE IN CHINA

If you experience any issues while operating any of our products, you can directly reach out to our Customer Support via Amazon Orders Or you can send your inquiry to our Official Customer Support at:

✉ lightservice@tcl.com