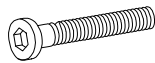
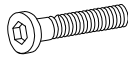
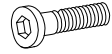




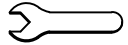
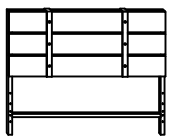




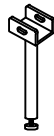

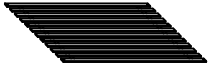


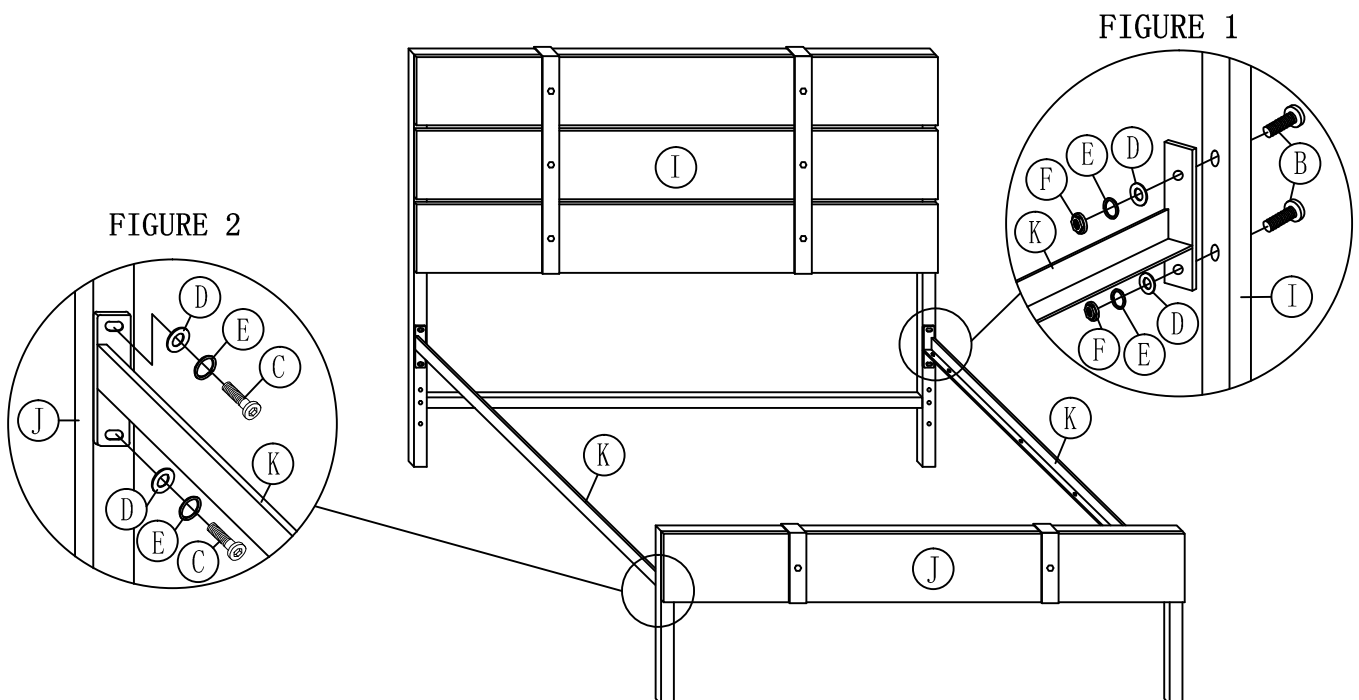
Parts List For Dover Bed

| | | | | |
|---------------------------|--|--|--|--|
| (A) 1/4" X 2-1/2" SCREW-3 | A  | B  | C  | D  |
| (B) 1/4" X 2-1/4" SCREW-6 | E  | F  | G  | H  |
| (C) 1/4" X 1" SCREW-16 | I  | J  | K  | L  |
| (D) 1/4" METAL WASHER-11 | M  | N  | O  | P  |
| (E) 1/4" SPRING WASHER-8 | | | | |
| (F) 1/4" HEX NUT-21 | | | | |
| (G) 4MM ALLEN WRENCH-1 | | | | |
| (H) 10MM OPEN WRENCH-1 | | | | |
| (I) HEADBOARD PANEL-1 | | | | |
| (J) FOOTBOARD PANEL-1 | | | | |
| (K) SIDE RAILS-2 | | | | |
| (L) CENTER RAIL-1 | | | | |
| (M) CENTER CROSS RAILS-2 | | | | |
| (N) LONG SUPPORT LEGS-3 | | | | |
| (O) SHORT SUPPORT LEGS-3 | | | | |
| (P) SLATS-1 | | | | |

SAVE ALL PACKAGING MATERIALS UNTIL PRODUCT IS FULLY ASSEMBLED. HARDWARE AND SMALL PIECES MAY NOT BE SEEN AND COULD BE ACCIDENTALLY DISCARDED WITH PACKAGING MATERIALS.

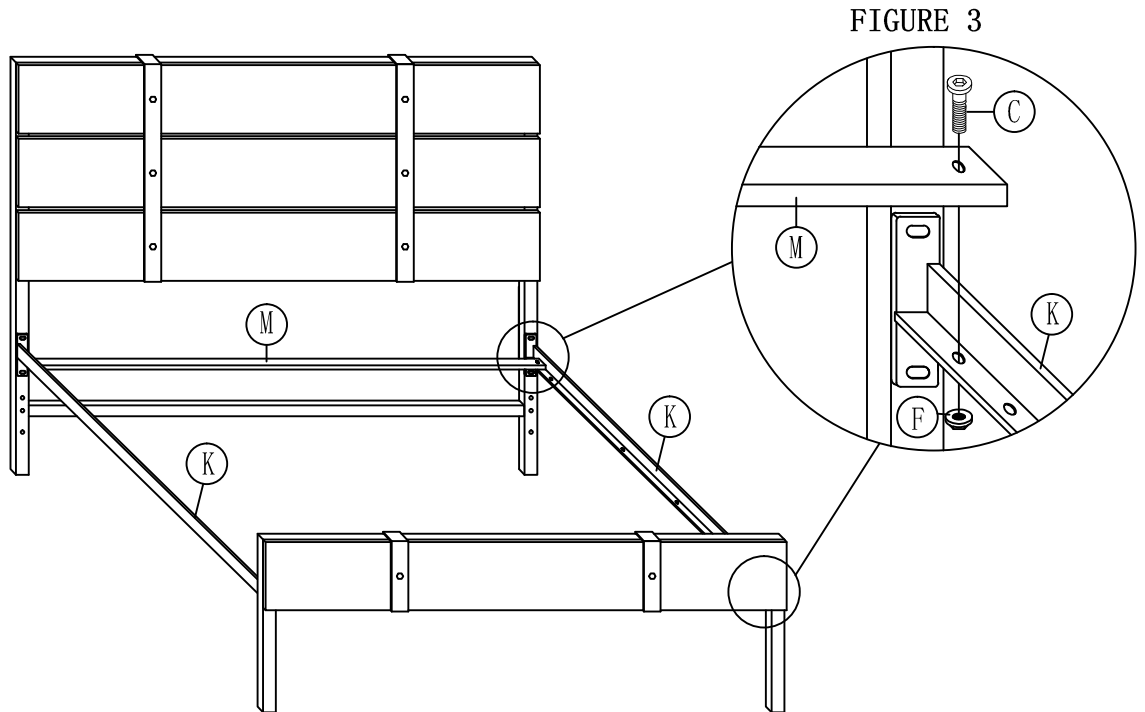
STEP 1 - Place headboard panel (I) and side rails (K) in desired location and assemble according to FIGURE 1. Make sure side rails are perpendicular to headboard posts before tightening up with Allen wrench (G). Assemble footboard panel (J) according to FIGURE 2.

*Side rail height to floor is 14" using the top two holes on headboard posts. 7" height if the 1st and 3rd hole from bottom are used.

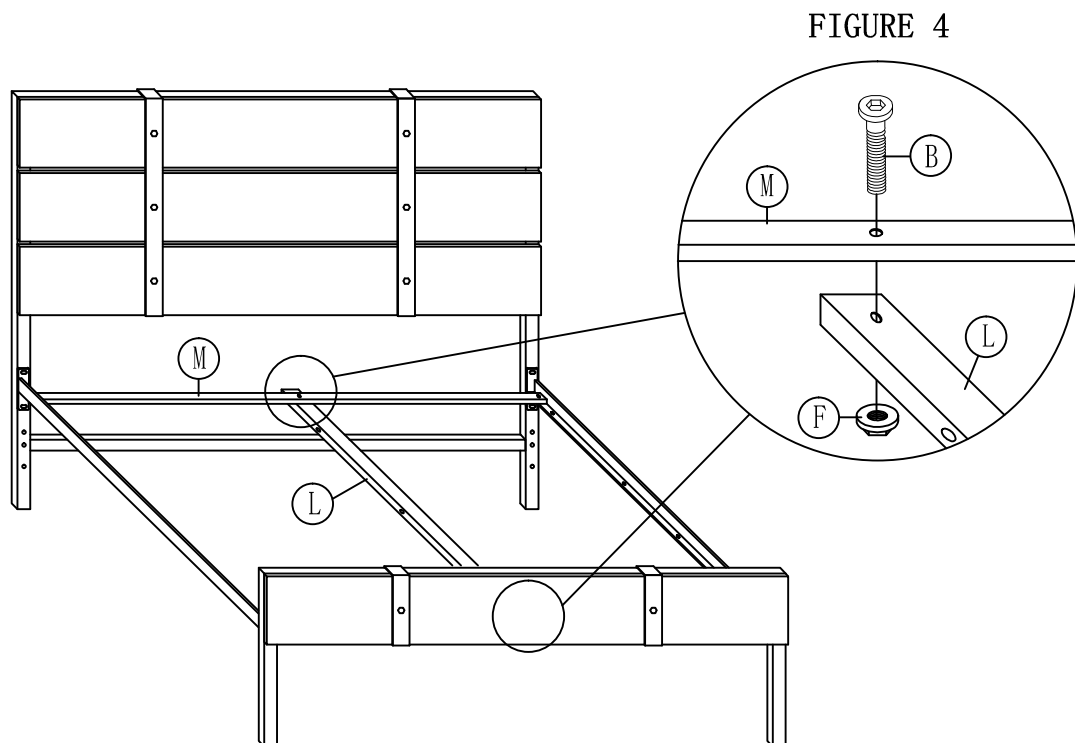


Instruction Sheet

STEP 2- Secure cross rails onto side rails. Tighten up the screws with Allen wrench (G) and hex nut with open wrench (H). SEE FIGURE 3.

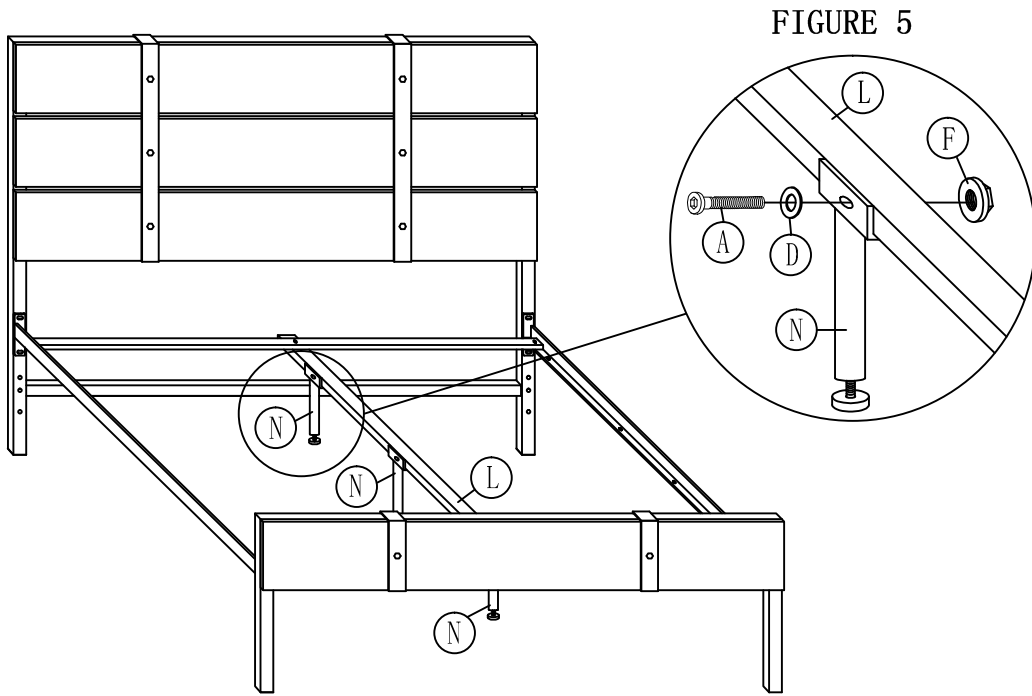


STEP 3- Assemble center rail onto cross rails according to FIGURE 4.

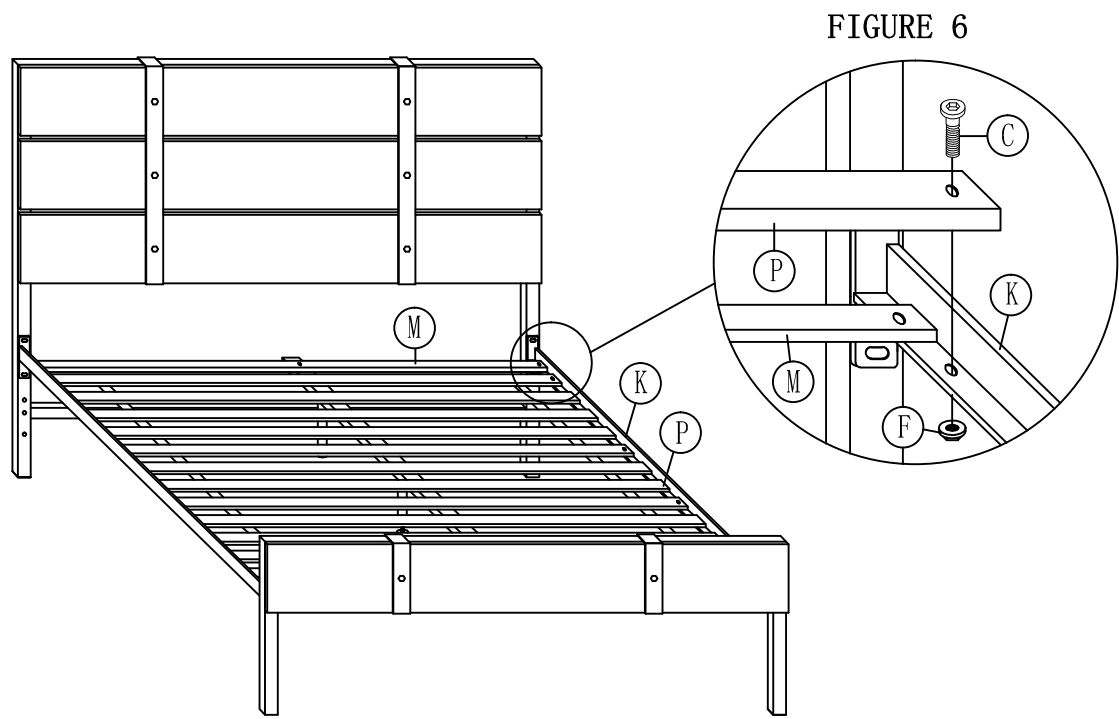


Instruction Sheet

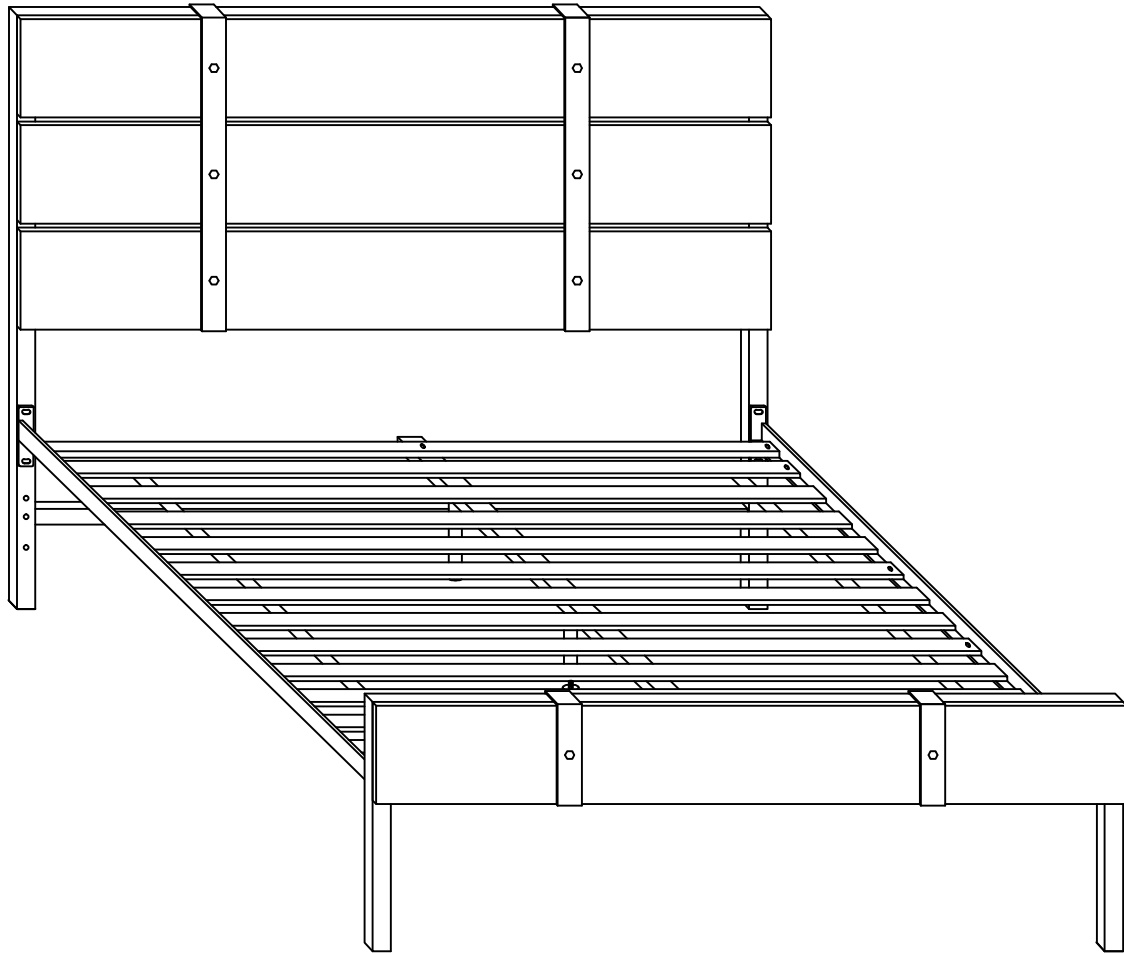
STEP 4- Secure support legs onto center rail. SEE FIGURE 5. Make sure support legs are perpendicular to center rail. Use long support legs (N) if side rail height is 14". Use short support legs (O) if side rail height is 7".



STEP 5- Place slat set (P) onto side rail. Tighten up the slats with holes on to side rail. SEE FIGURE 6.



Instruction Sheet



BED FULLY ASSEMBLED