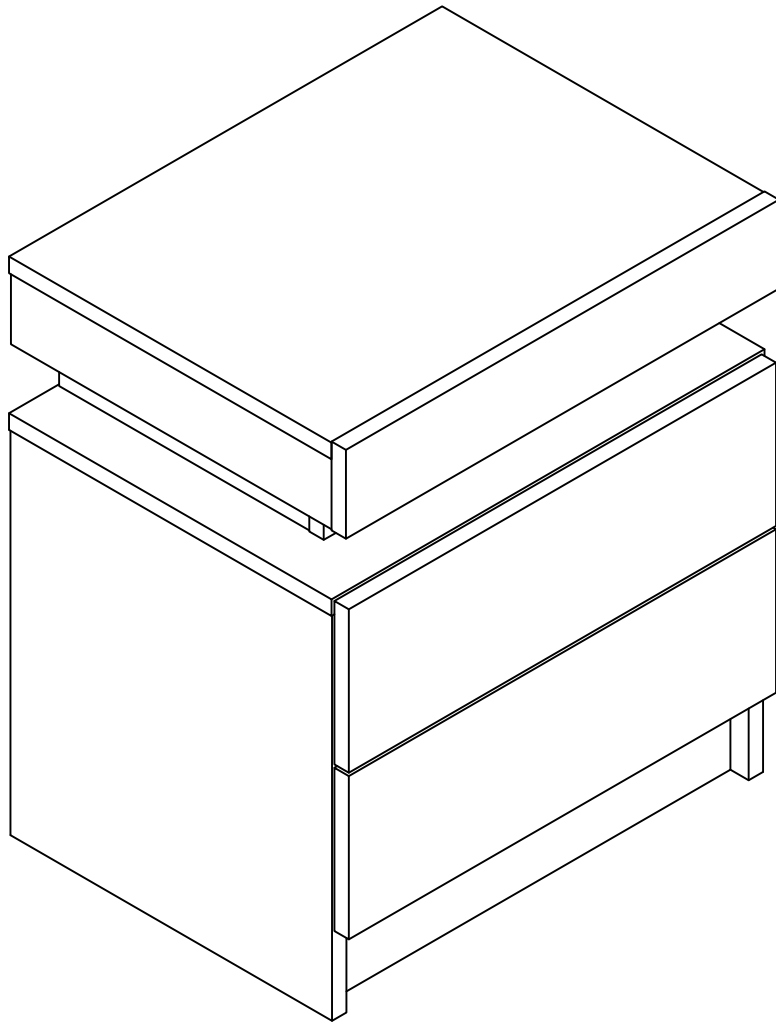
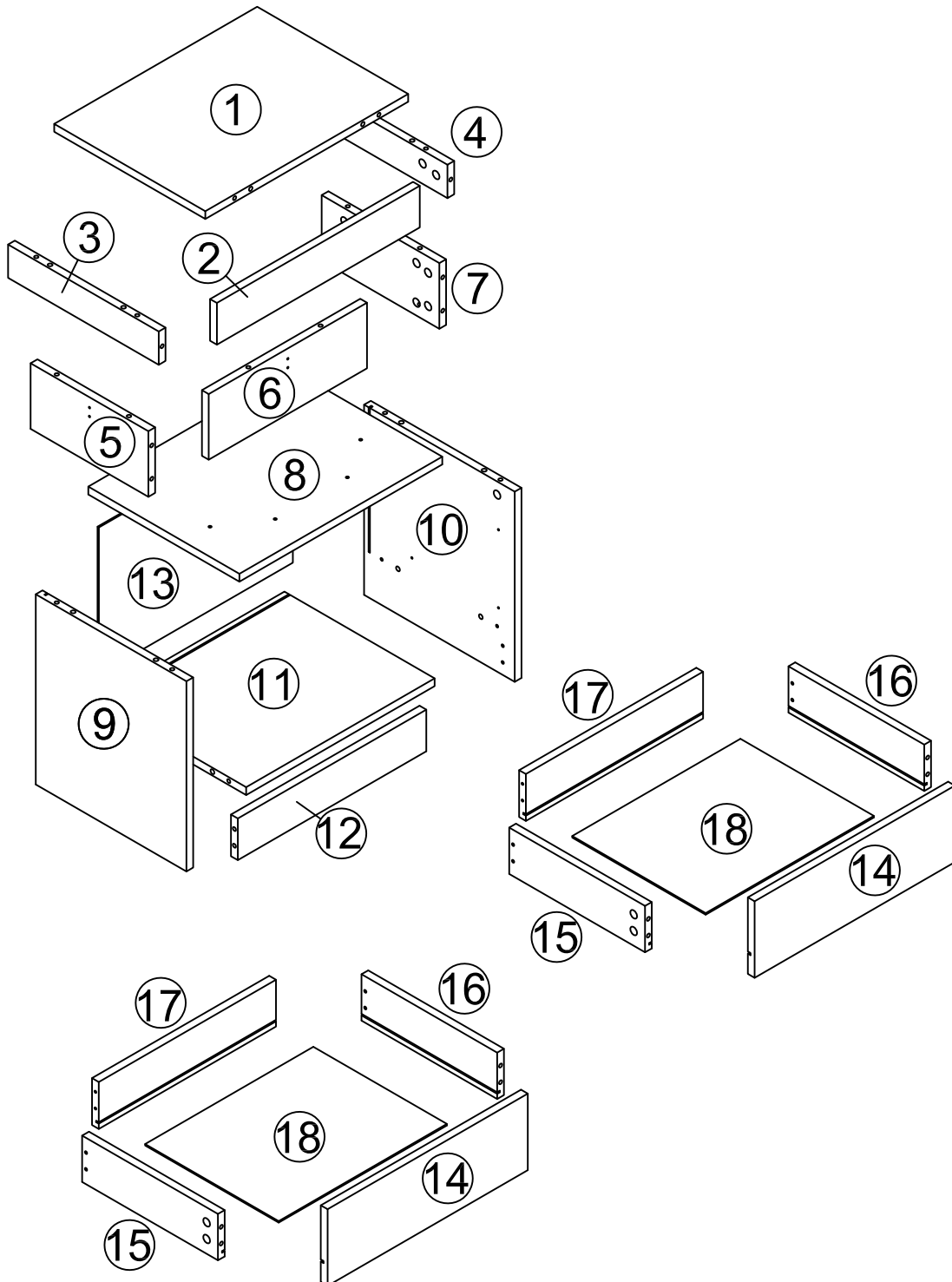


1

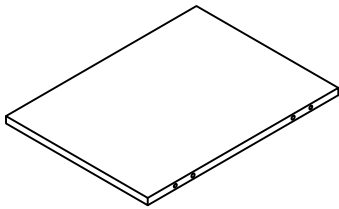
# ASSEMBLY INSTRUCTIONS



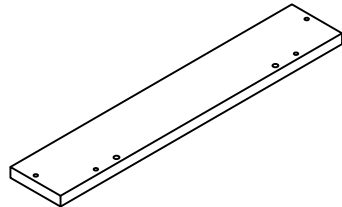
# BOARD IDENTIFICATION



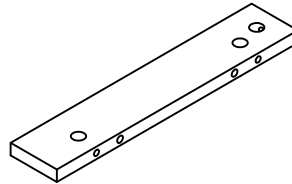
## BOARD IDENTIFICATION



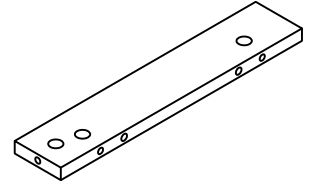
①  
MAIN PANEL  
X1



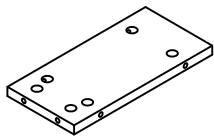
②  
UPPER FRONT PANEL  
X1



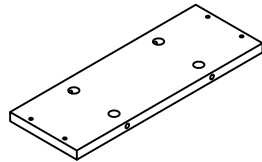
③  
UPPER LEFT SIDE PANEL  
X1



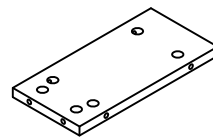
④  
UPPER RIGHT SIDE PANEL  
X1



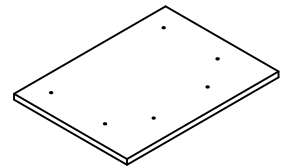
⑤  
UPPER LEFT SIDE PANEL  
X1



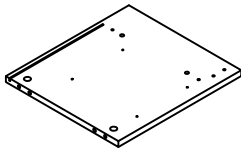
⑥  
UPPER FRONT PANEL  
X1



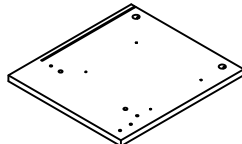
⑦  
UPPER RIGHT SIDE PANEL  
X1



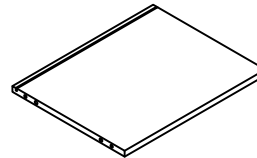
⑧  
FIXED PANEL  
X1



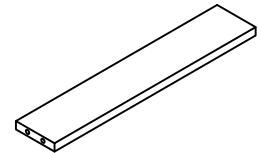
⑨  
LOWER LEFT SIDE PANEL  
X1



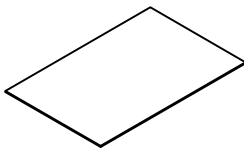
⑩  
LOWER RIGHT SIDE PANEL  
X1



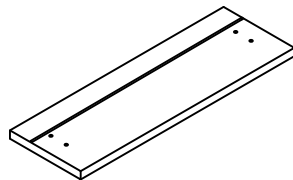
⑪  
BOTTOM  
X1



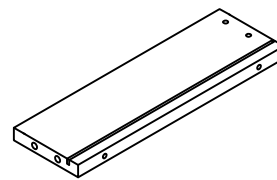
⑫  
LOWER FRONT PANEL  
X1



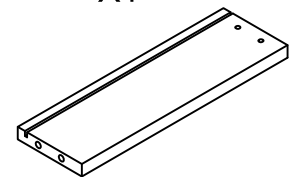
⑬  
BACK  
X1



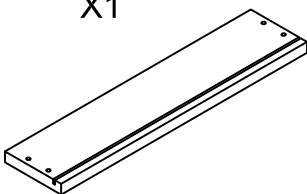
⑭  
DRAWER FRONT  
X2



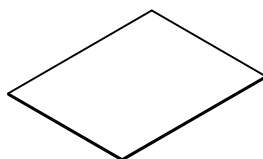
⑮  
DRAWER LEFT  
X2



⑯  
DRAWER RIGHT  
X2

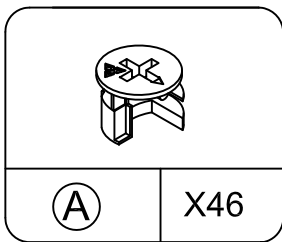
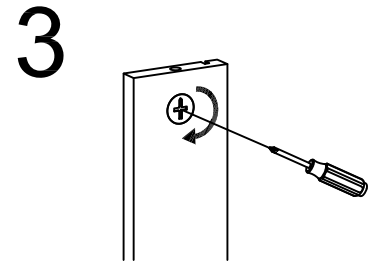
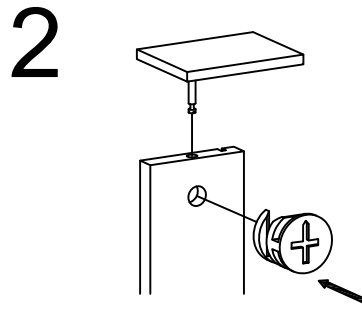
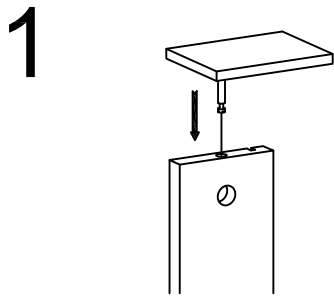


⑰  
DRAWER BACK  
X2

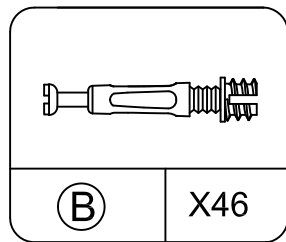


⑱  
DRAWER BOTTOM  
X2

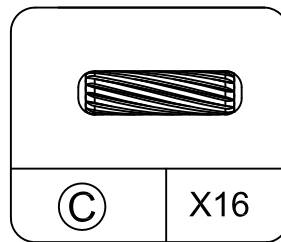
# 4



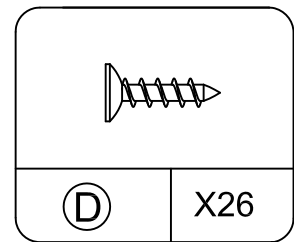
CAM LOCK  
F15\*11



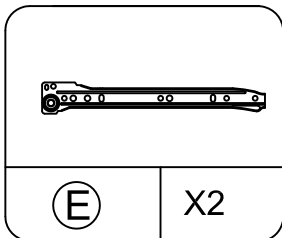
CAM BOLT  
F7\*31



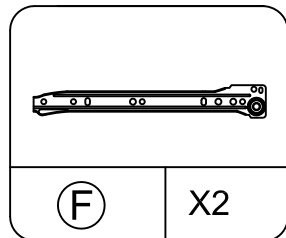
WOOD DOWEL  
F8\*30



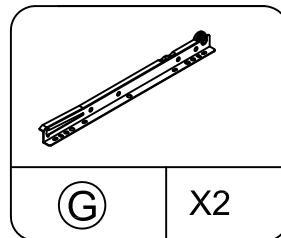
SCREW  
F3.5\*12



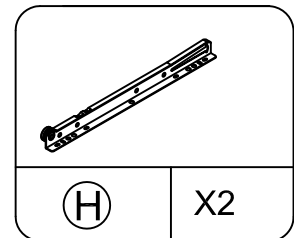
LEFT OUTER TRACK  
F20\*300



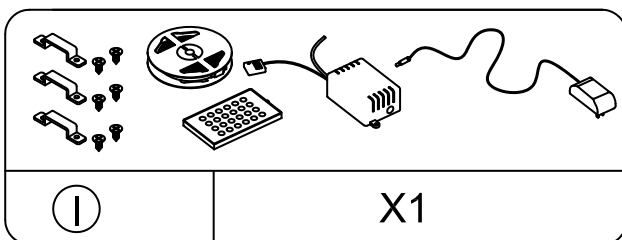
RIGHT OUTER TRACK  
F20\*300



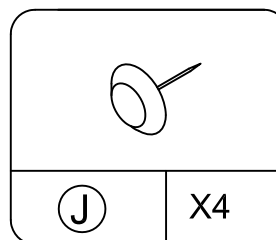
LEFT INNER TRACK  
F20\*300



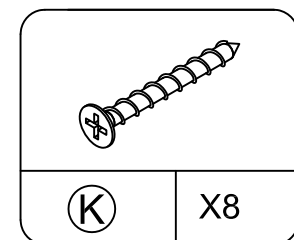
RIGHT INNER TRACK  
F20\*300



LIGHT STRIP



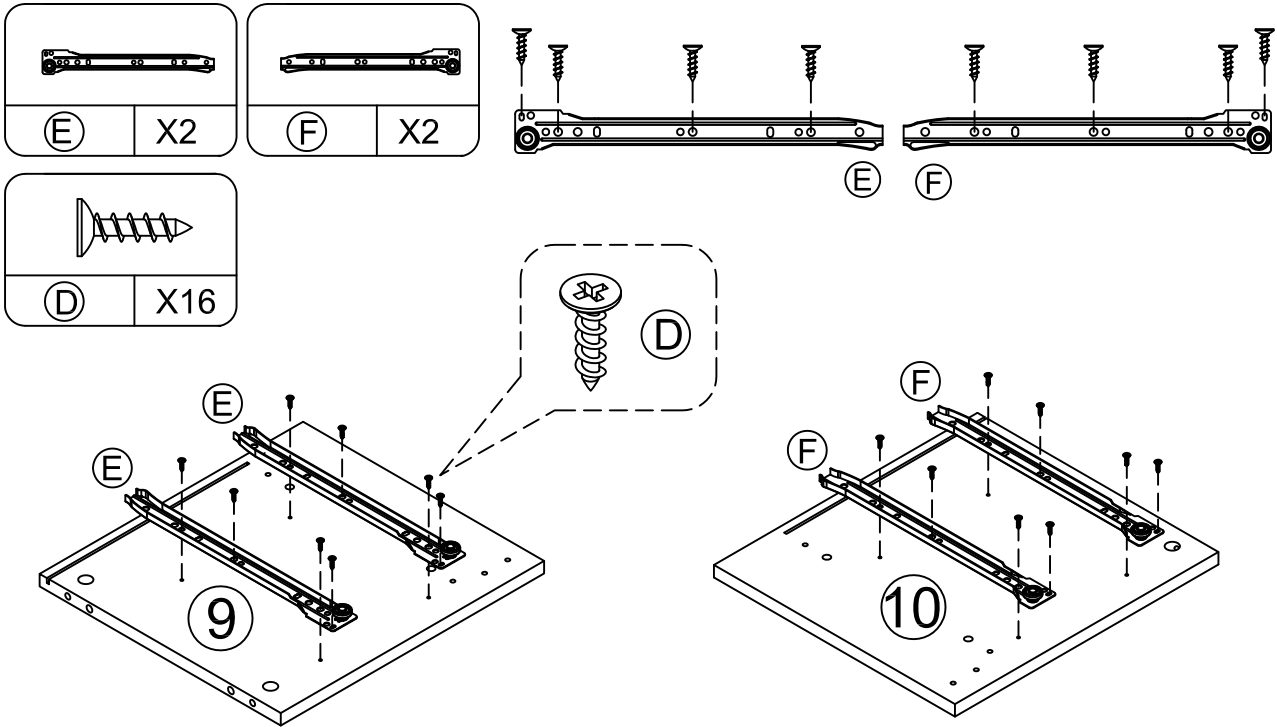
SPIKES



SCREW  
F4\*35

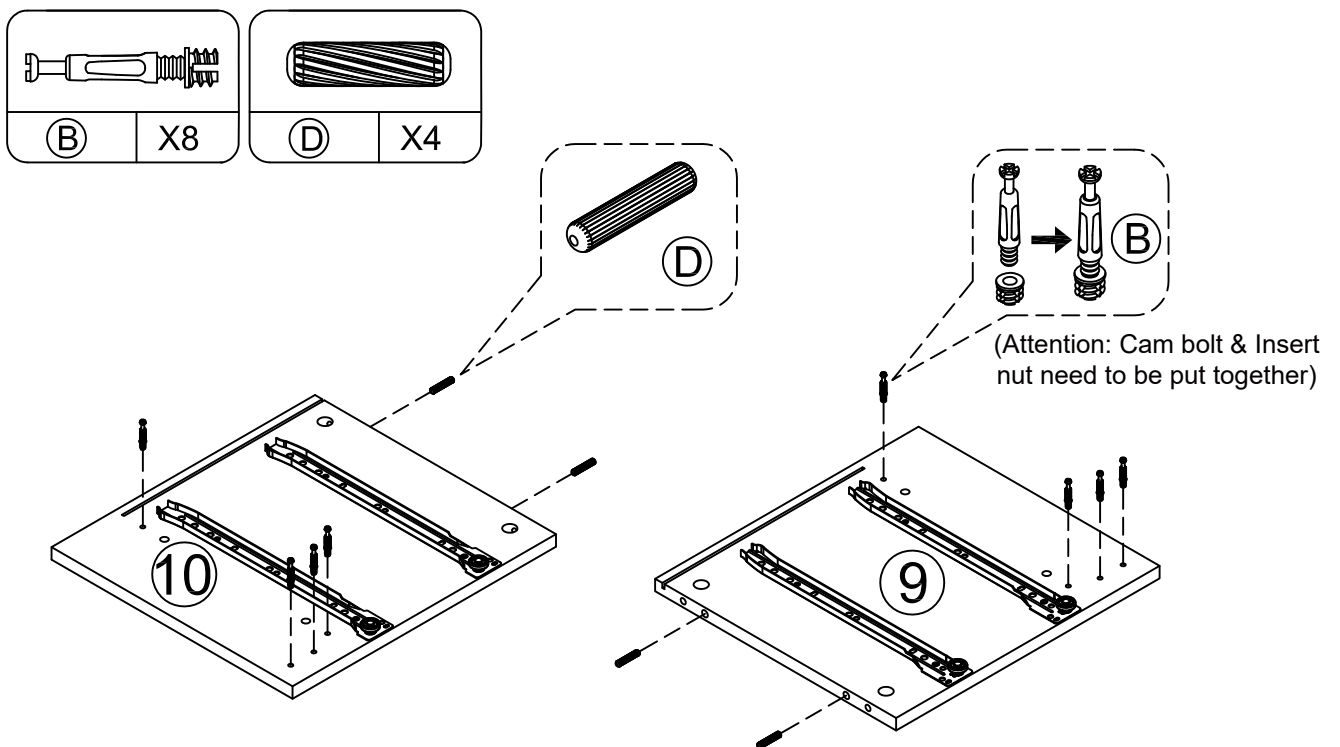
## STEP 1

- Install drawer track (E) & (F) to panel (9) & (10) with screws (D).



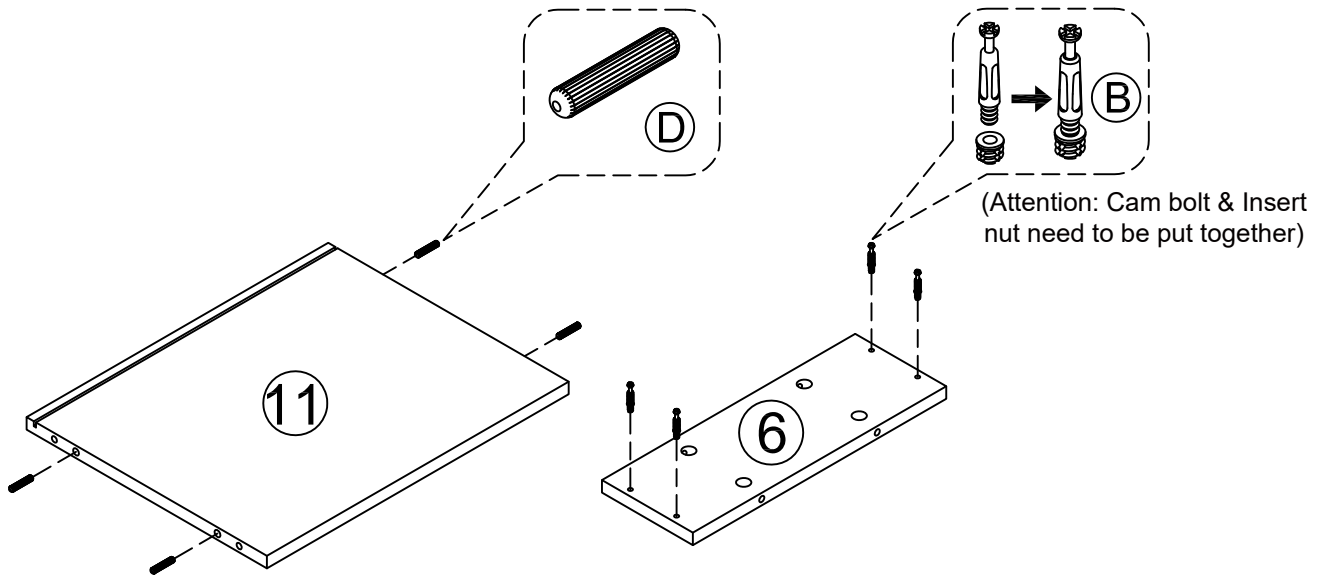
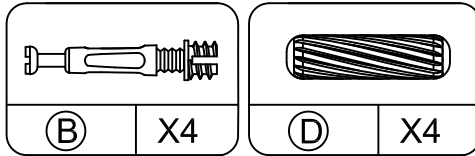
## STEP 2

- Screw cam bolts (B) into panel (9) & (10) as below shown.  
 - Insert wood dowels (D) into panel (9) & (10) as shown in the picture.



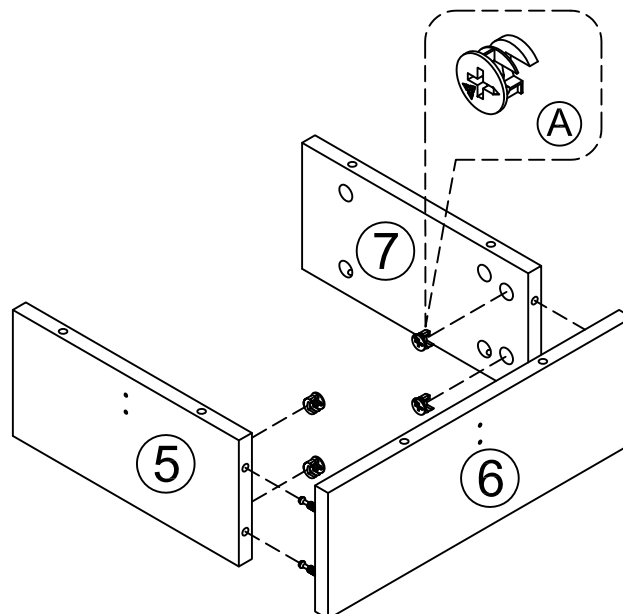
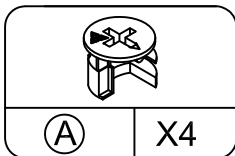
## STEP 3

- Screw cam bolts (B) into panel (6) as below shown.
- Insert wood dowels (D) into panel (11) as shown in the picture.



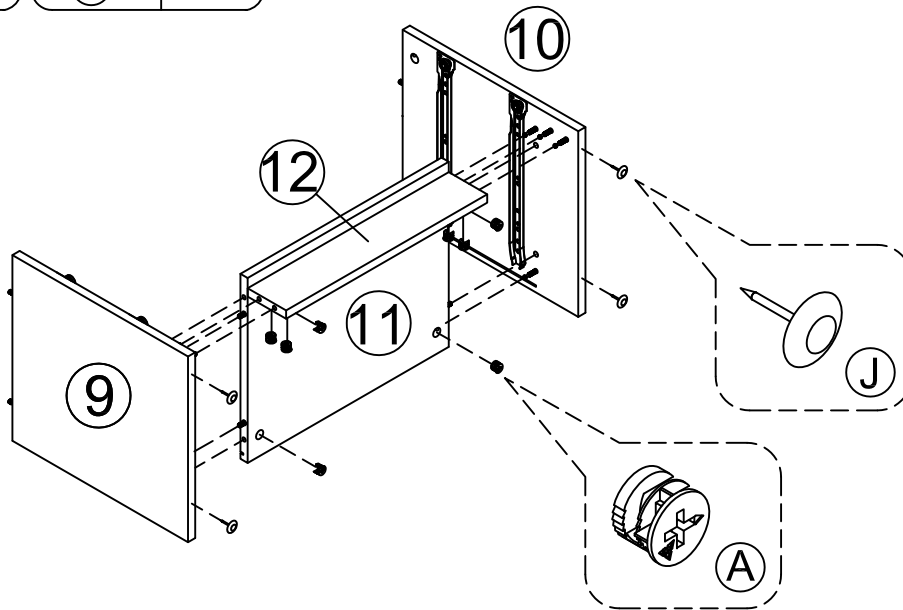
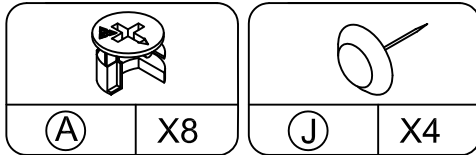
## STEP 4

- Attach panel (5) & (7) to (6) with cam locks (A).



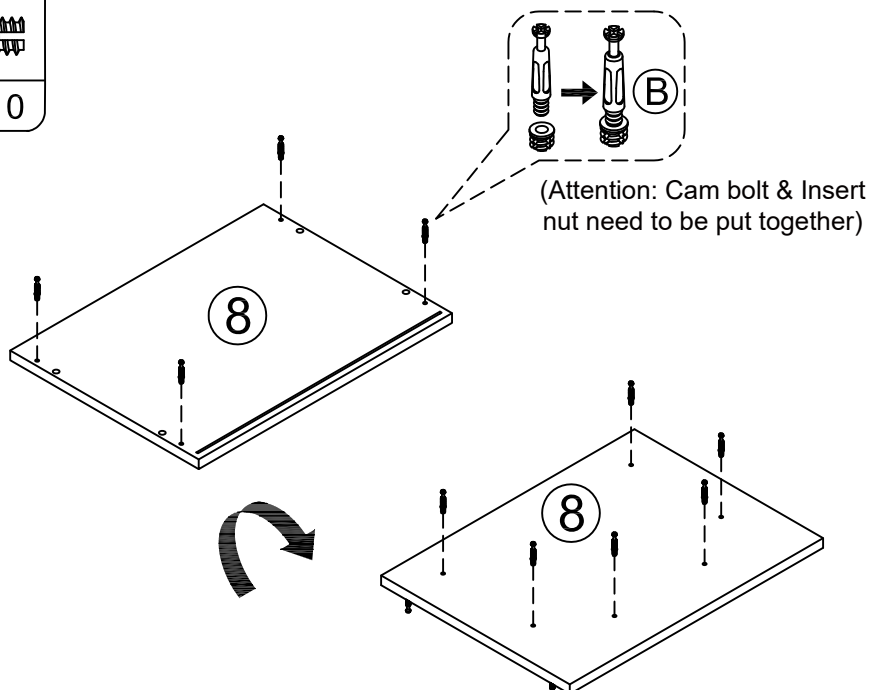
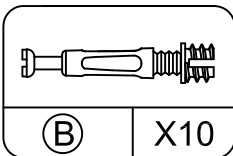
## STEP 5

- Attach panel (9) & (10) to (11) & (12) with cam locks (A).



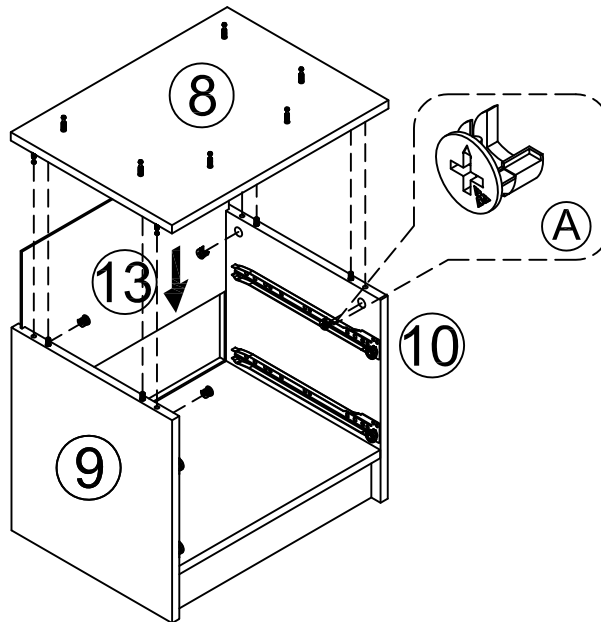
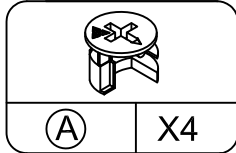
## STEP 6

- Screw cam bolts (B) into panel (8) as below shown.



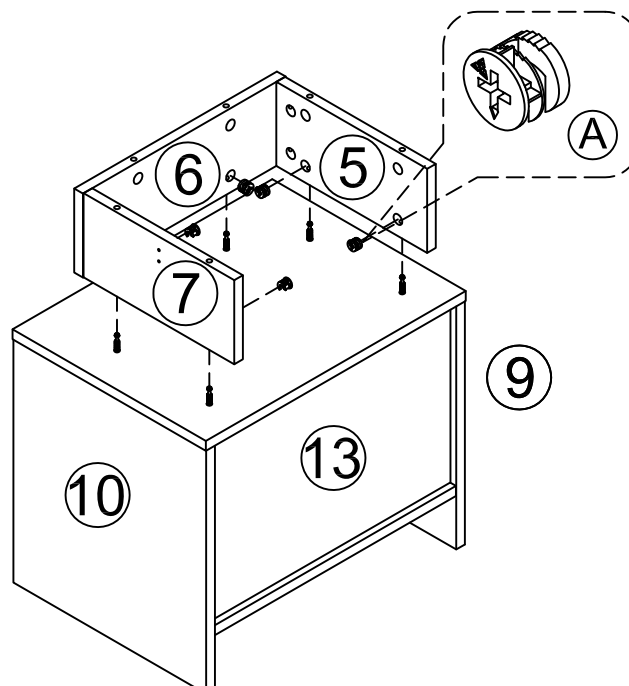
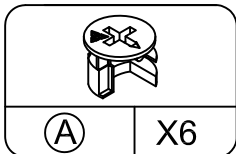
## STEP 7

- Insert panel (13) into the grooves.
- Attach panel (8) to (9) & (10) with cam locks (A).



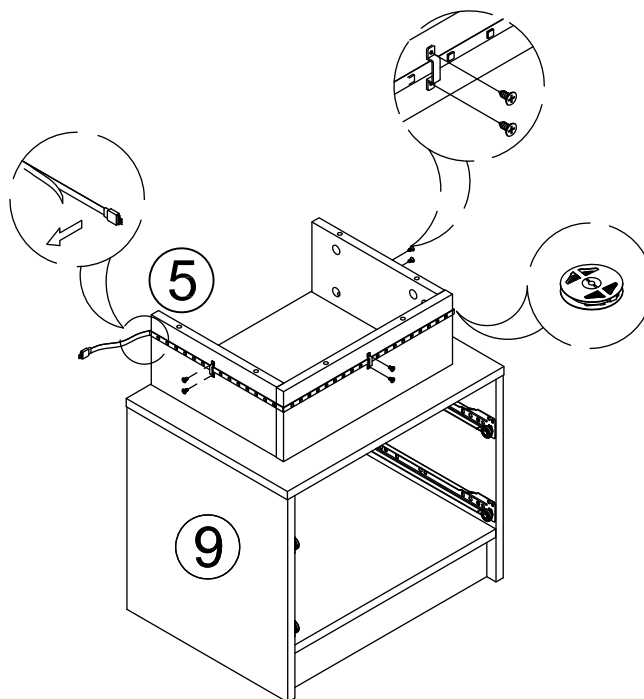
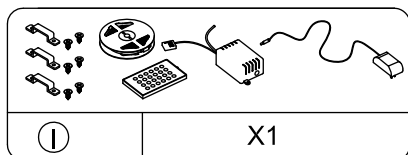
## STEP 8

- Attach panel (5) & (6) & (7) to (8) with cam locks (A).



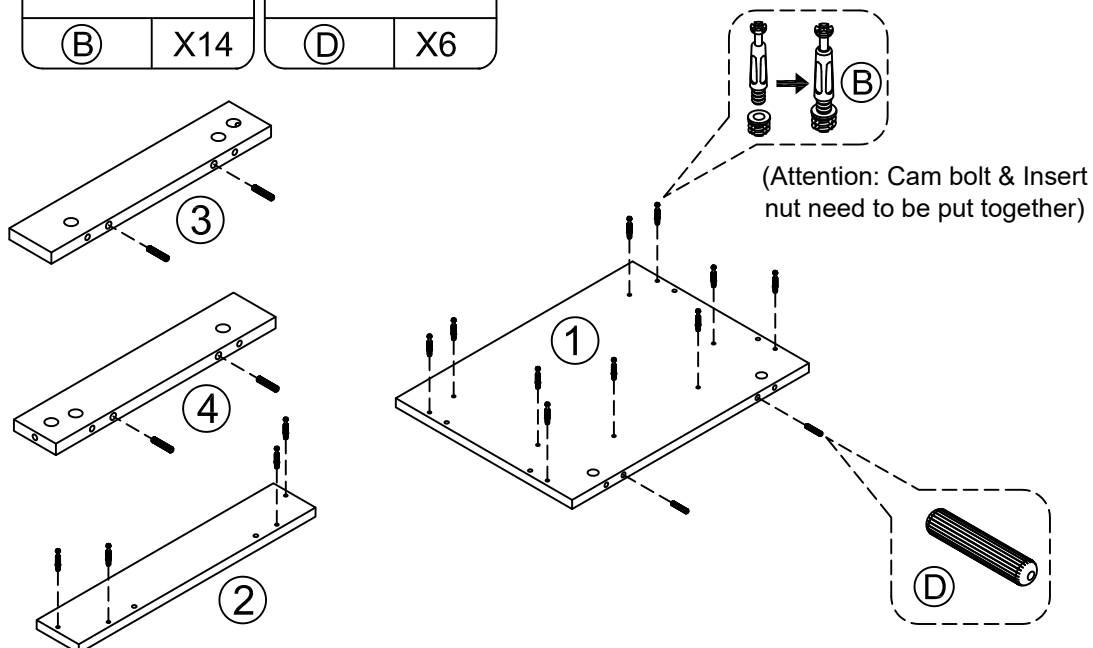
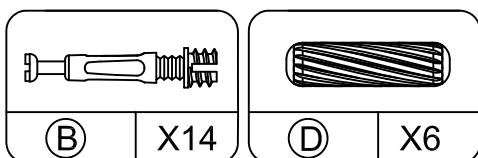
## STEP 9

- Stick LED band to the side of the panel.
- Fasten the LED band with buckles.



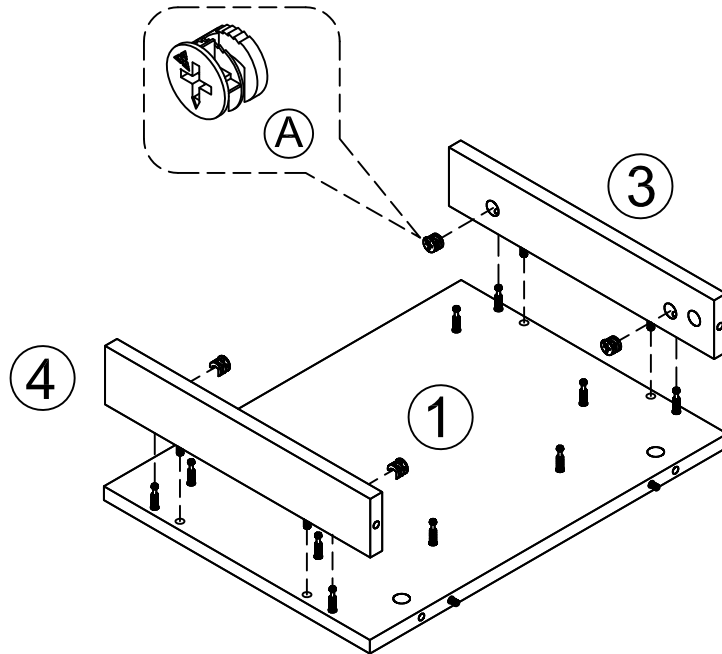
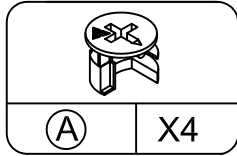
## STEP 10

- Screw cam bolts (B) into panel (1) & (2) as below shown.
- Insert wood dowels (D) into panel (1) & (3) & (4) as shown in the picture.



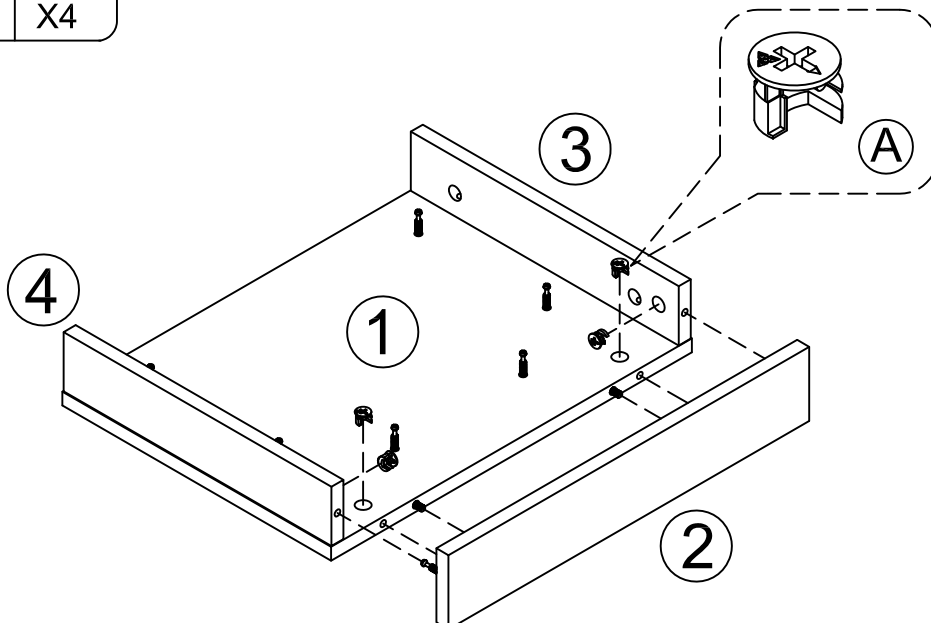
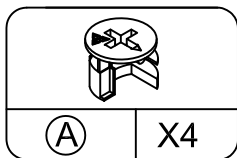
## STEP 11

- Attach panel (3) & (4) to (1) with cam locks (A).



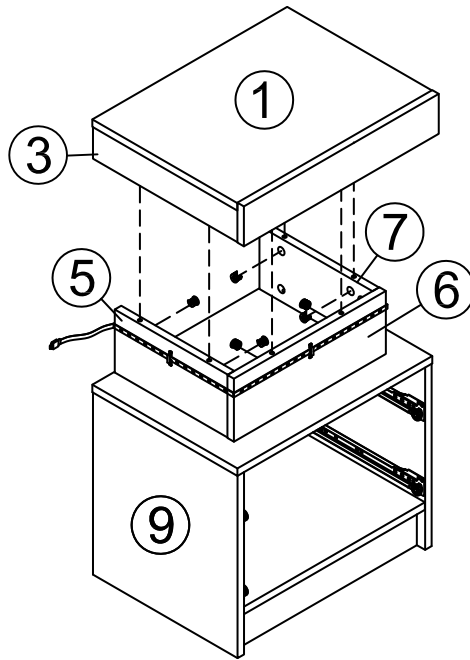
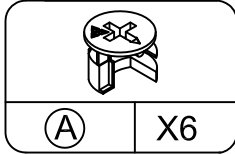
## STEP 12

- Attach panel (2) to (1) & (3) & (4) with cam locks (A).



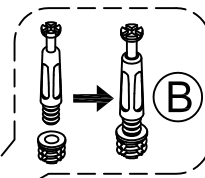
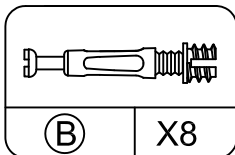
## STEP 13

- Attach panel (1) to (5) & (6) & (7) with cam locks (A).

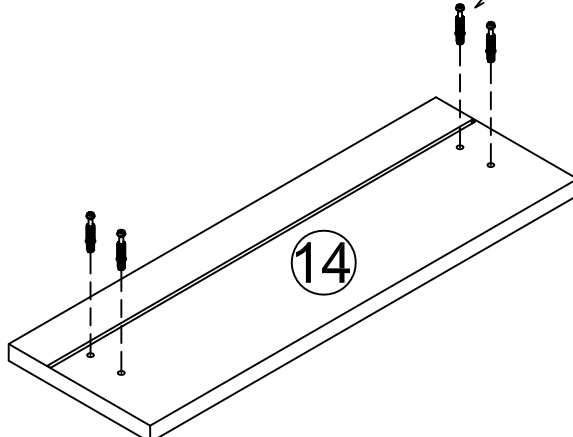


## STEP 14

- Screw cam bolts (B) into panel (14) & (17) as below shown.



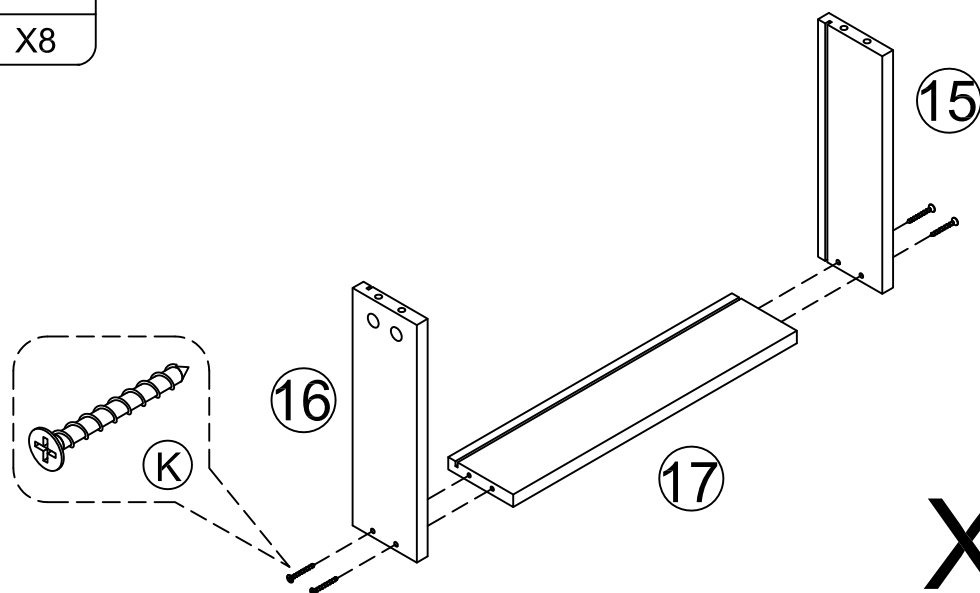
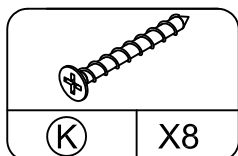
(Attention: Cam bolt & Insert nut need to be put together)



# X2

## STEP 15

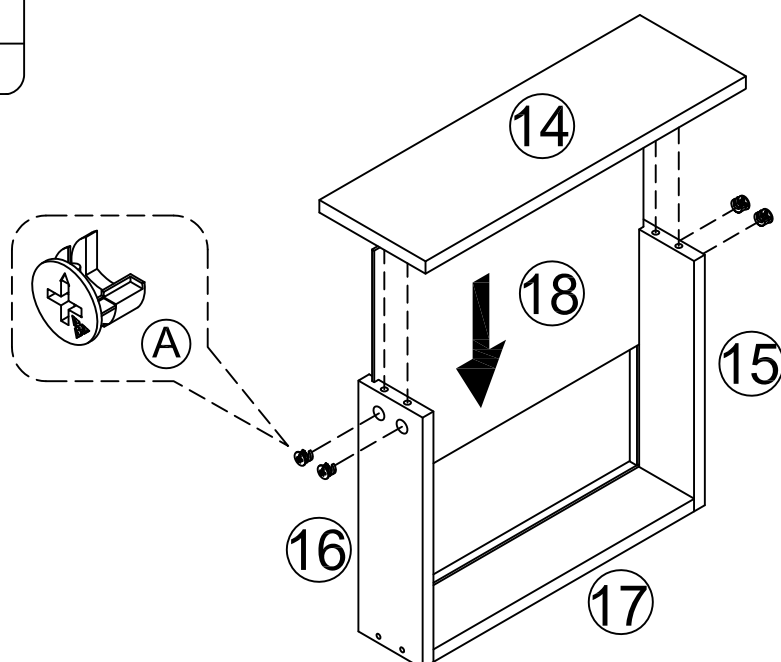
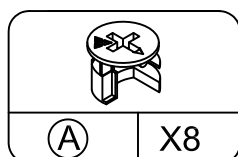
- Attach panel (17) to (15) & (16) with screws (K).



# X2

## STEP 16

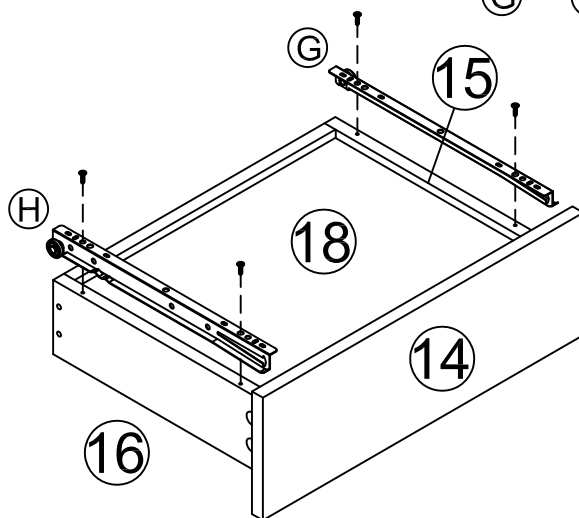
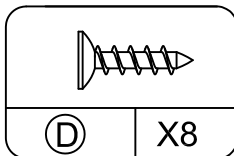
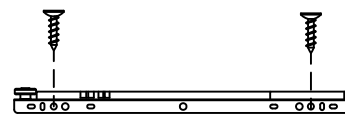
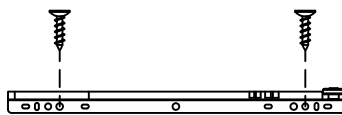
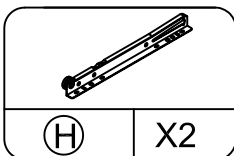
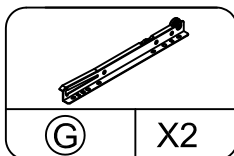
- Insert panel (18) into the grooves.  
 - Attach panel (14) to (15) & (16) with cam locks (A).



# X2

## STEP 17

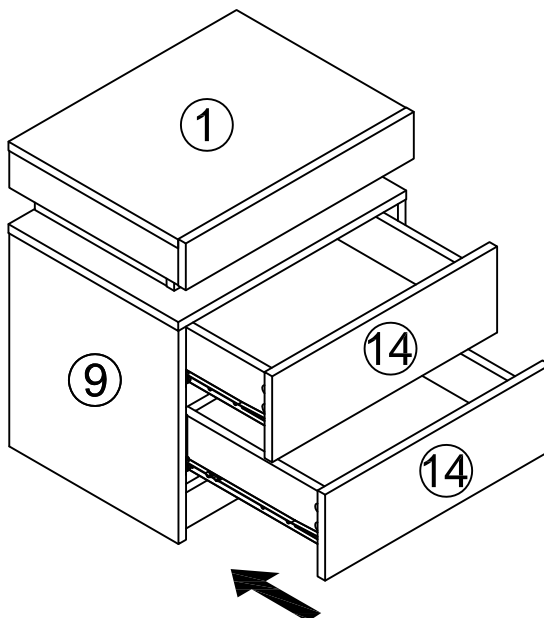
- Install drawer track (G) & (H) to panel (15) & (16) with screws (D).



X2

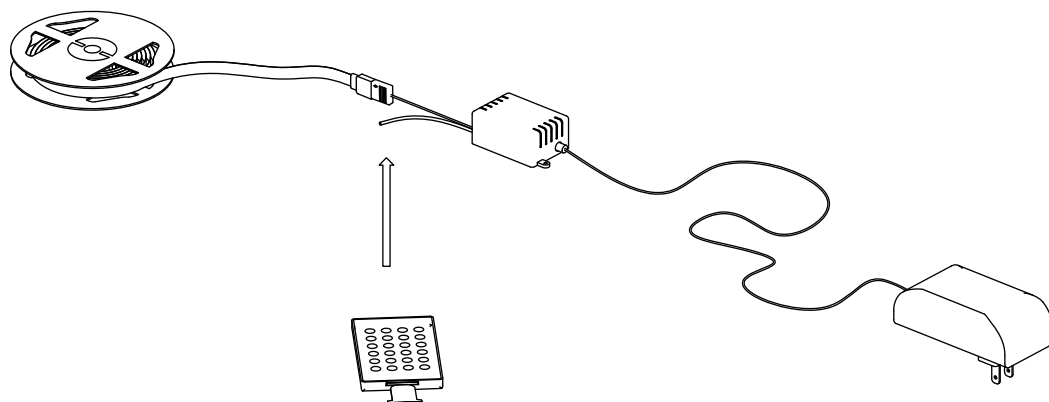
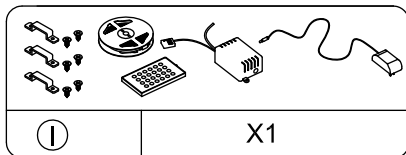
## STEP 18

- Insert the drawers.



## STEP 19

- Connected pin of LED and power adapter to the RGB control box as below.
  - Remove the battery protection pad from remote controller.
  - Align remote controller to the RGB Control box to adjust the color mode.
- Specifications of battery:cr2025 3v



## STEP 20

- Installation complete.

