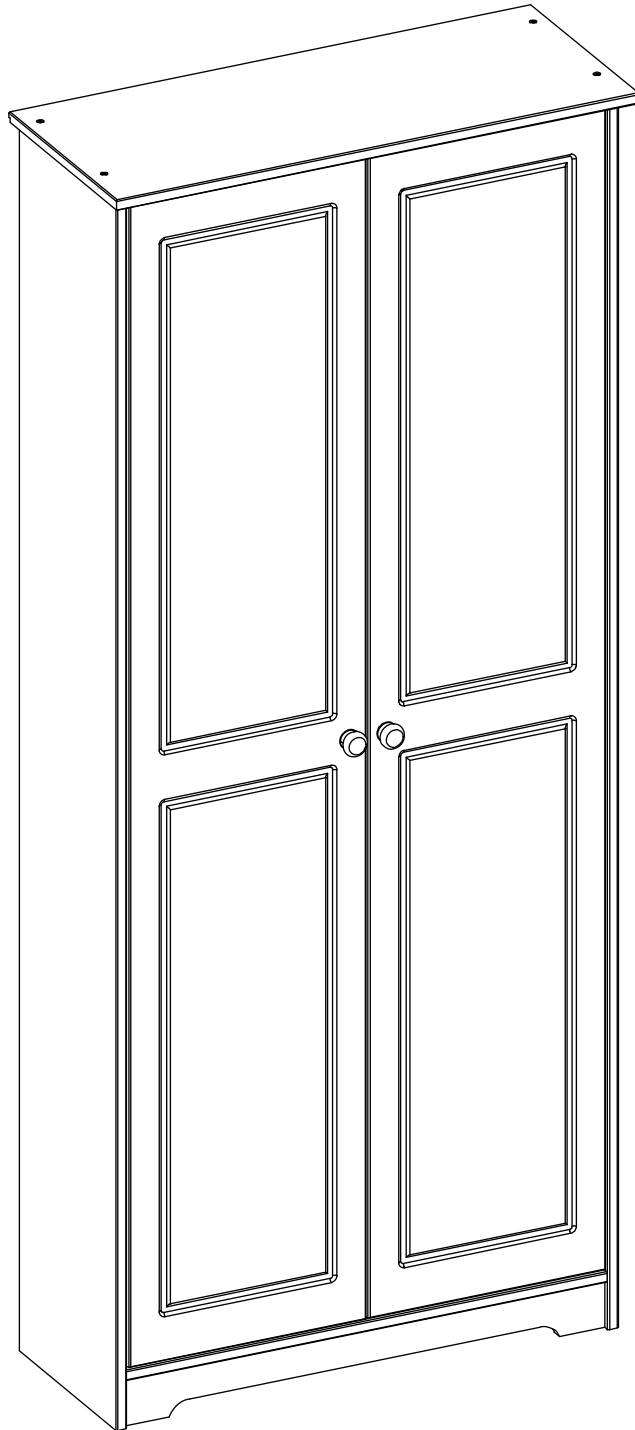
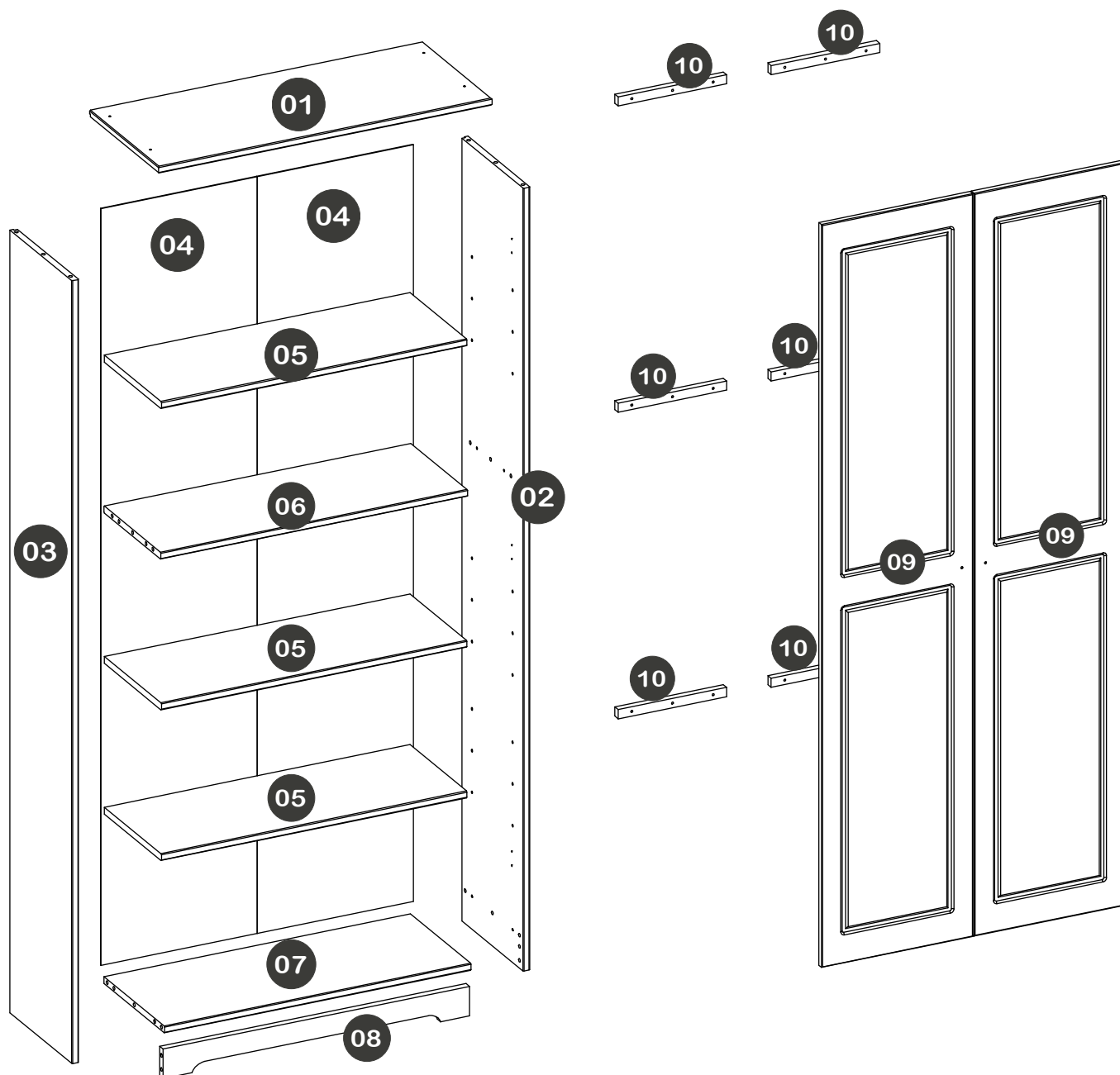
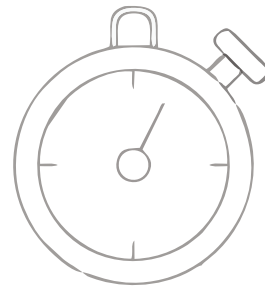
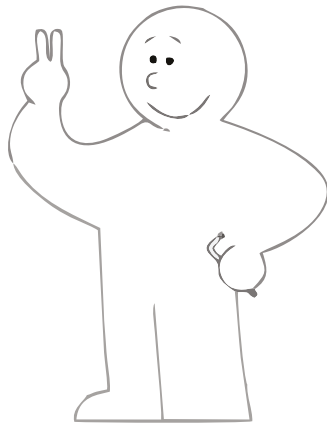
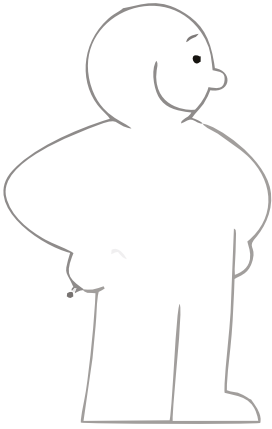


2 DOORS CABINET

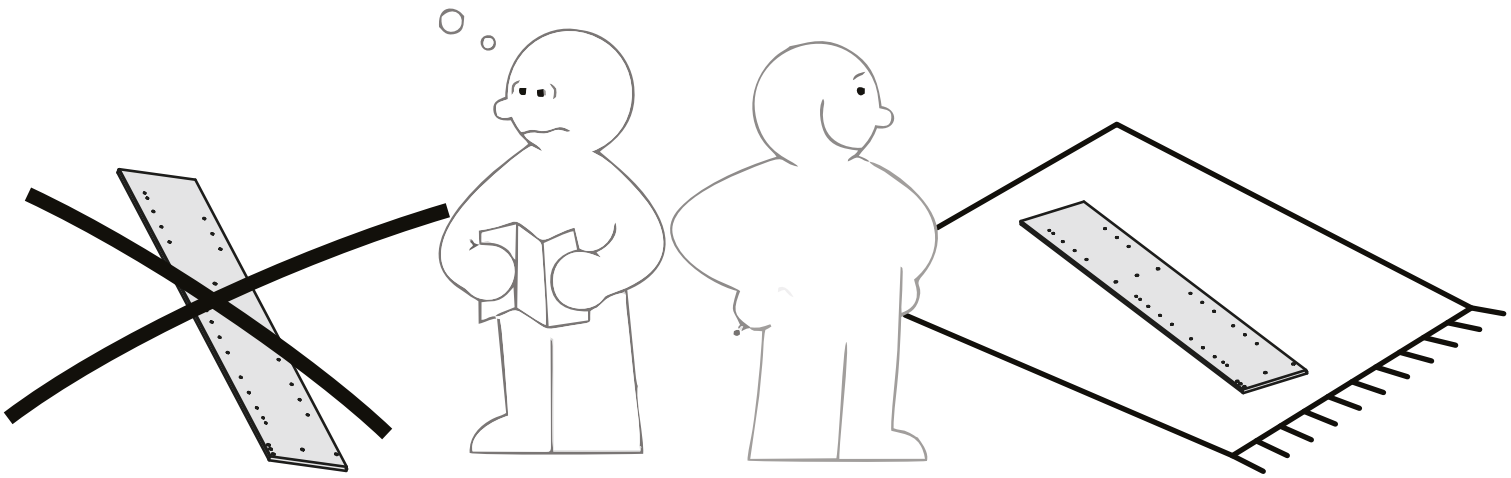




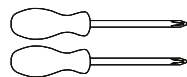
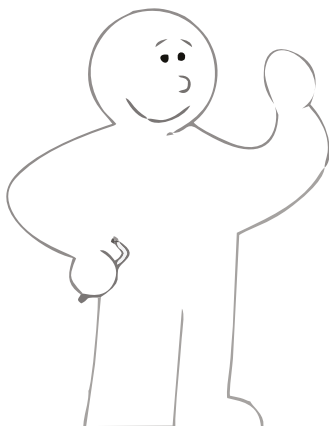
Part	Description	Dimensions (in)	Qty.
01	Top panel	30,9 x 12,8	01
02	Right side panel	71,0 x 11,5	01
03	Left side panel	71,0 x 11,5	01
04	Back panel	68,7 x 14,5	02
05	Shelf	28,4 x 10,6	03
06	Fixed shelf	28,5 x 10,6	01
07	Bottom panel	28,5 x 11,3	01
08	Bottom rail	28,5 x 2,7	01
09	Door	67,4 x 14,1	02
10	Door support	10,1 x 0,8	06



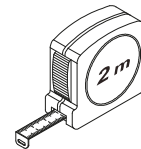
35 Min



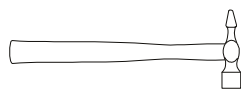
Tools required



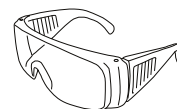
**Phillips screwdriver
(medium & large)**



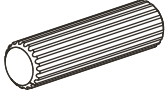
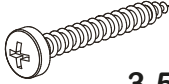
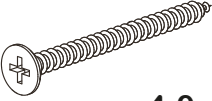
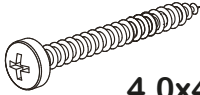

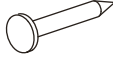
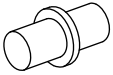
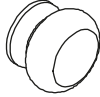
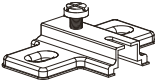
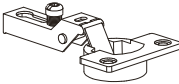


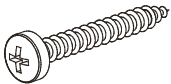
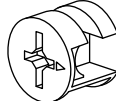
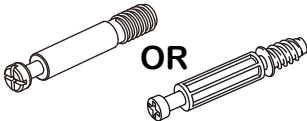
**Ruler/tape
measure**



**Small
hammer**



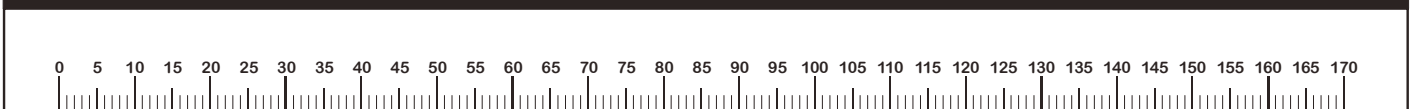
**Eye protection
(when using a
hammer or glue)**

A	 8x30mm	22	B	 3,5x30mm	03
C	 4,0x40mm	04	D	 4,0x40mm	02
E	 4,0x16mm	25	F		36
G		12	H		02
I		06	J		06
L		01	K		02
M	 4,0x25mm	18	N		08
O	 OR	08			

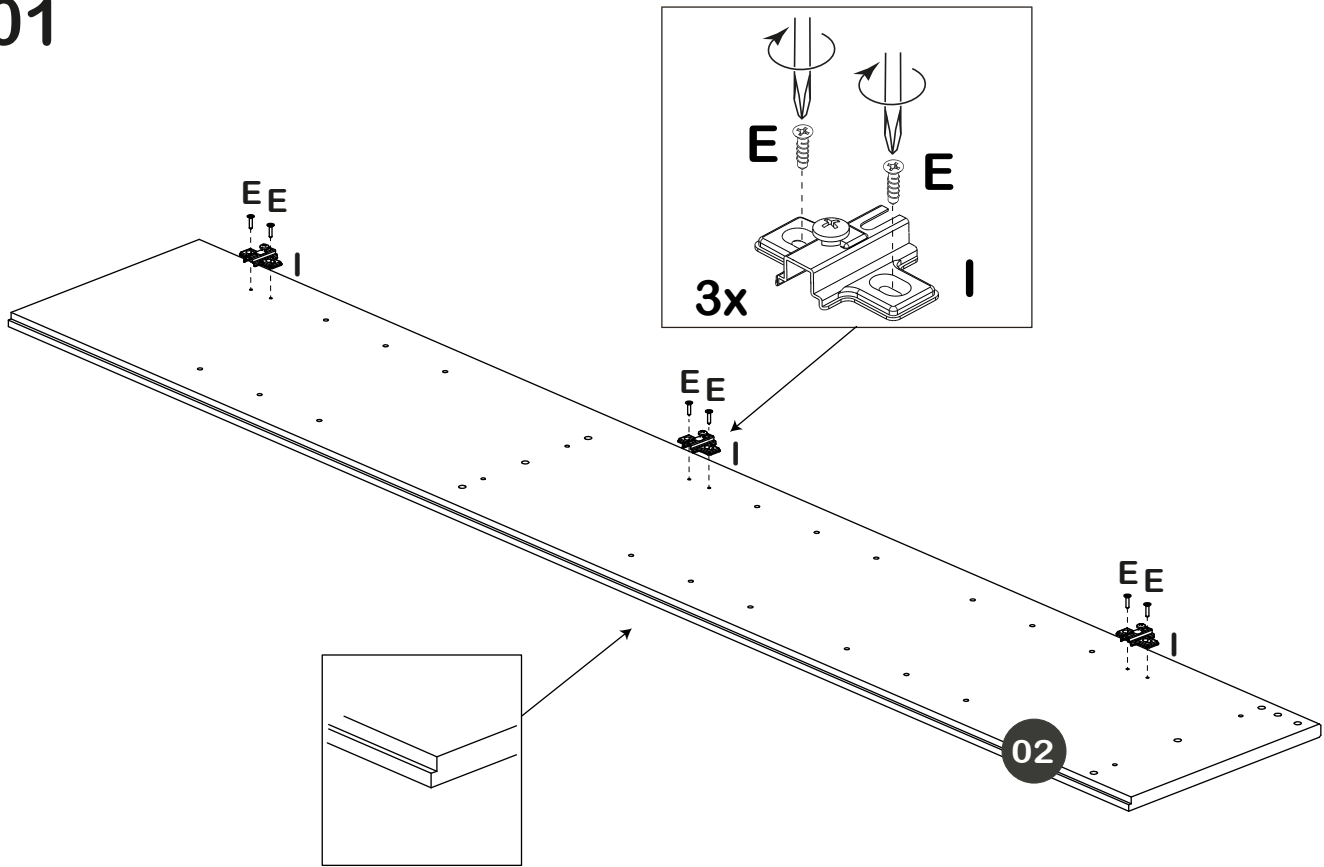




HARDWARE IS LOCATED INSIDE A CARDBOARD BOX ! CHECK FOR IT BEFORE DISPOSING PACKAGING

Ruler - Use this ruler to help correctly identify the screws

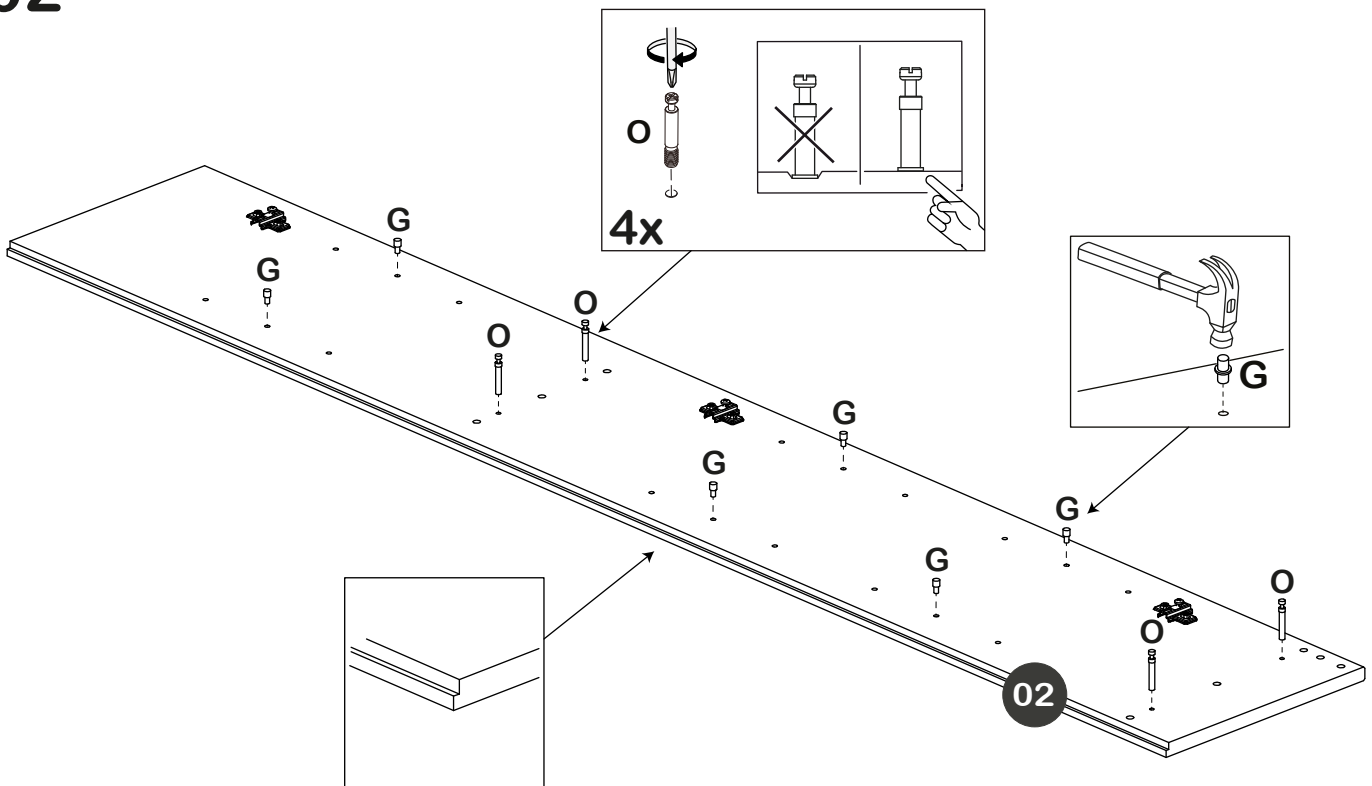



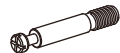
01



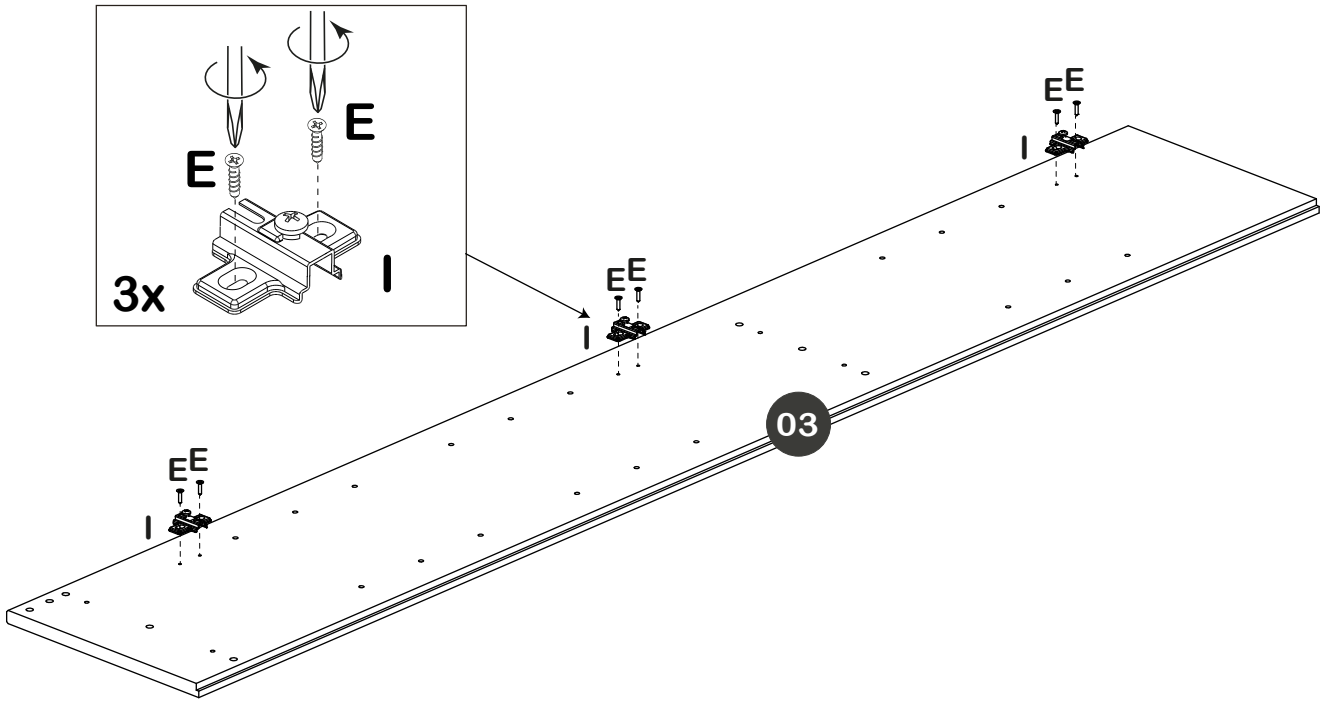
I		03	E		06
					4,0x16mm

02



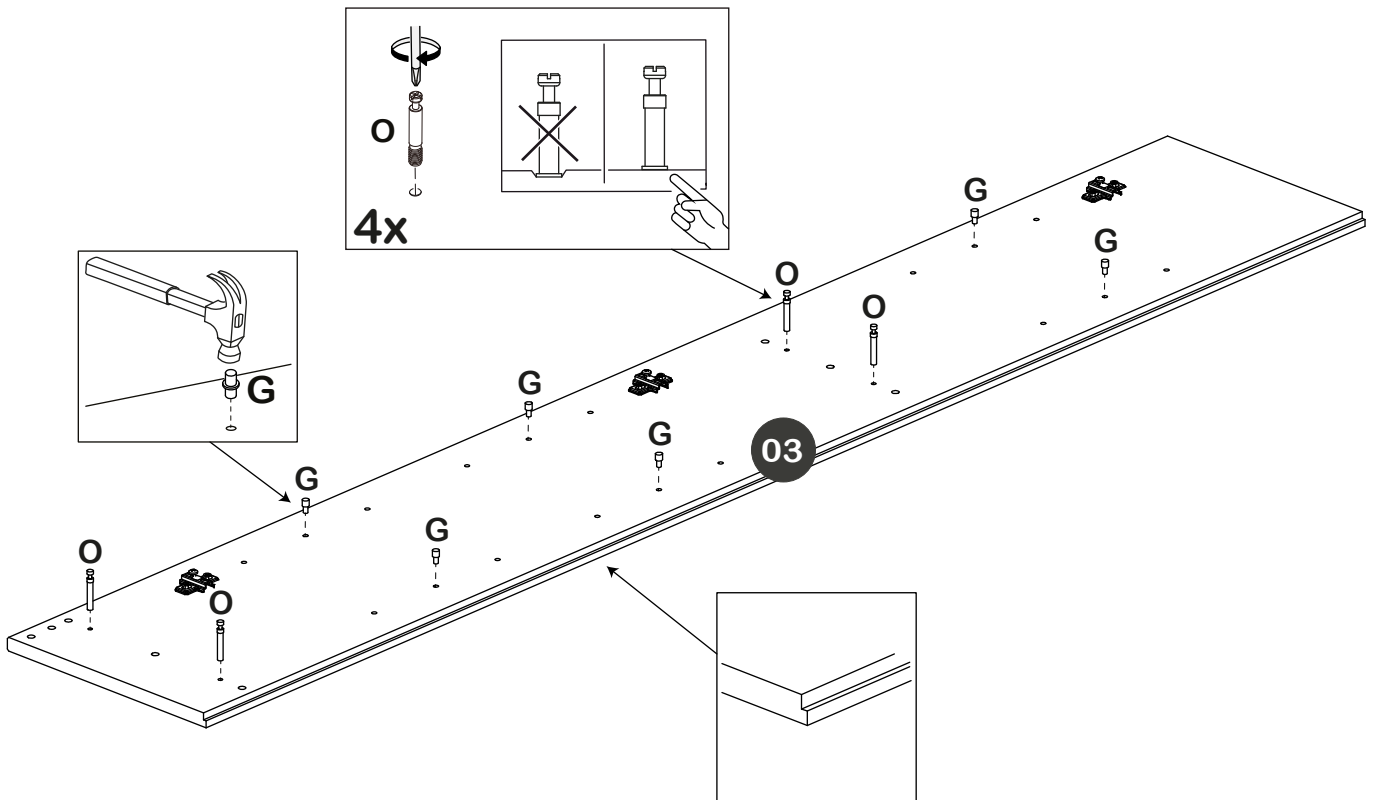
G		06	O		04
---	---	----	---	---	----

02

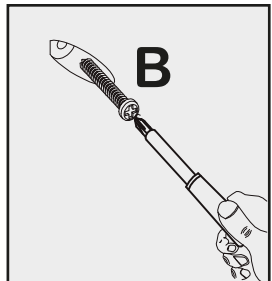
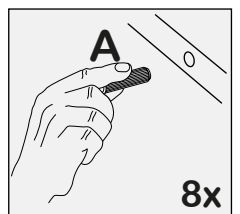
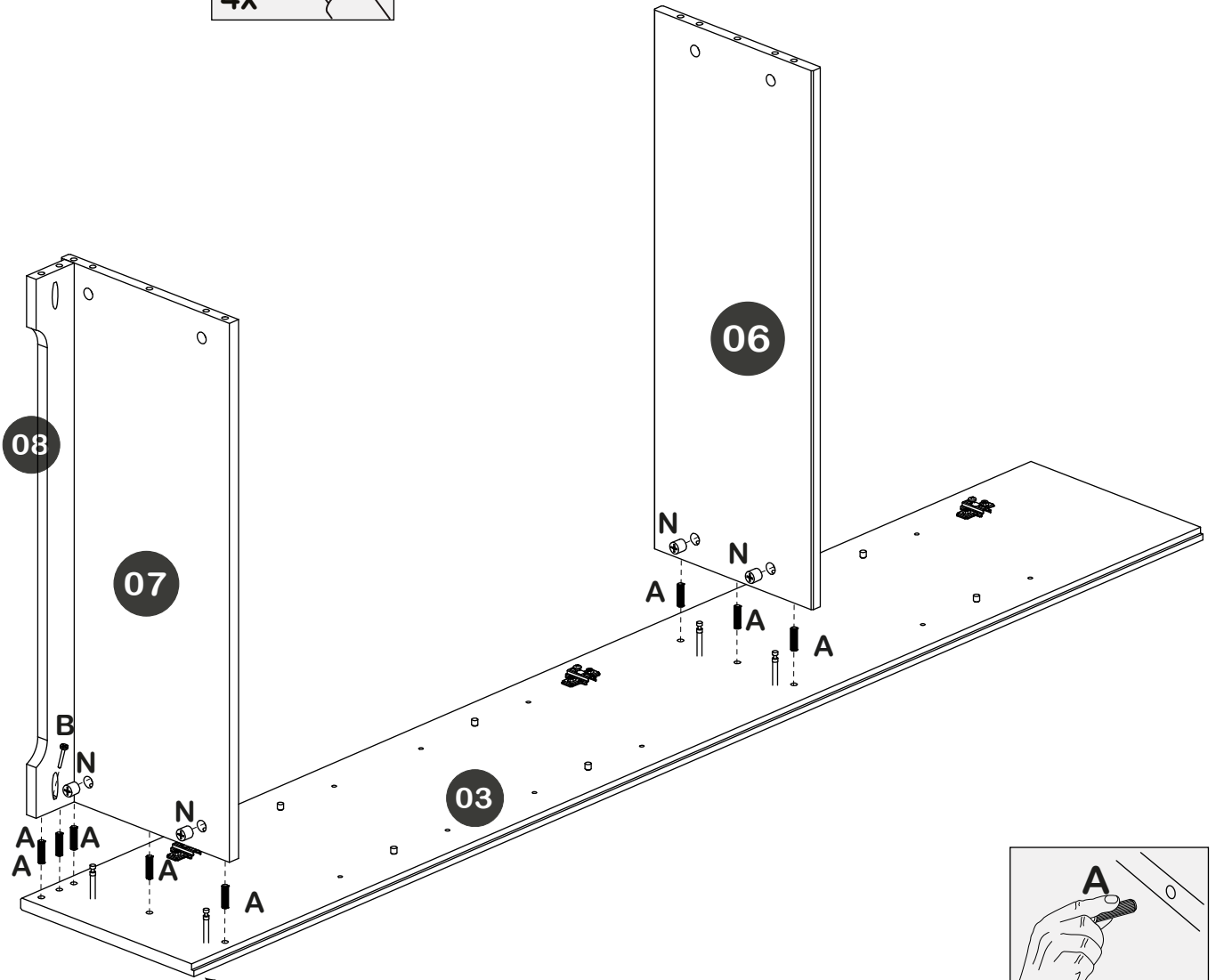
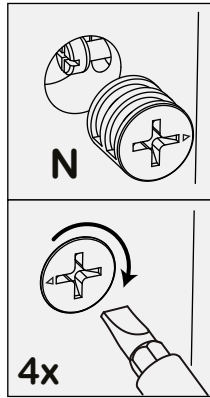





I		03	E		06
				4,0x16mm	

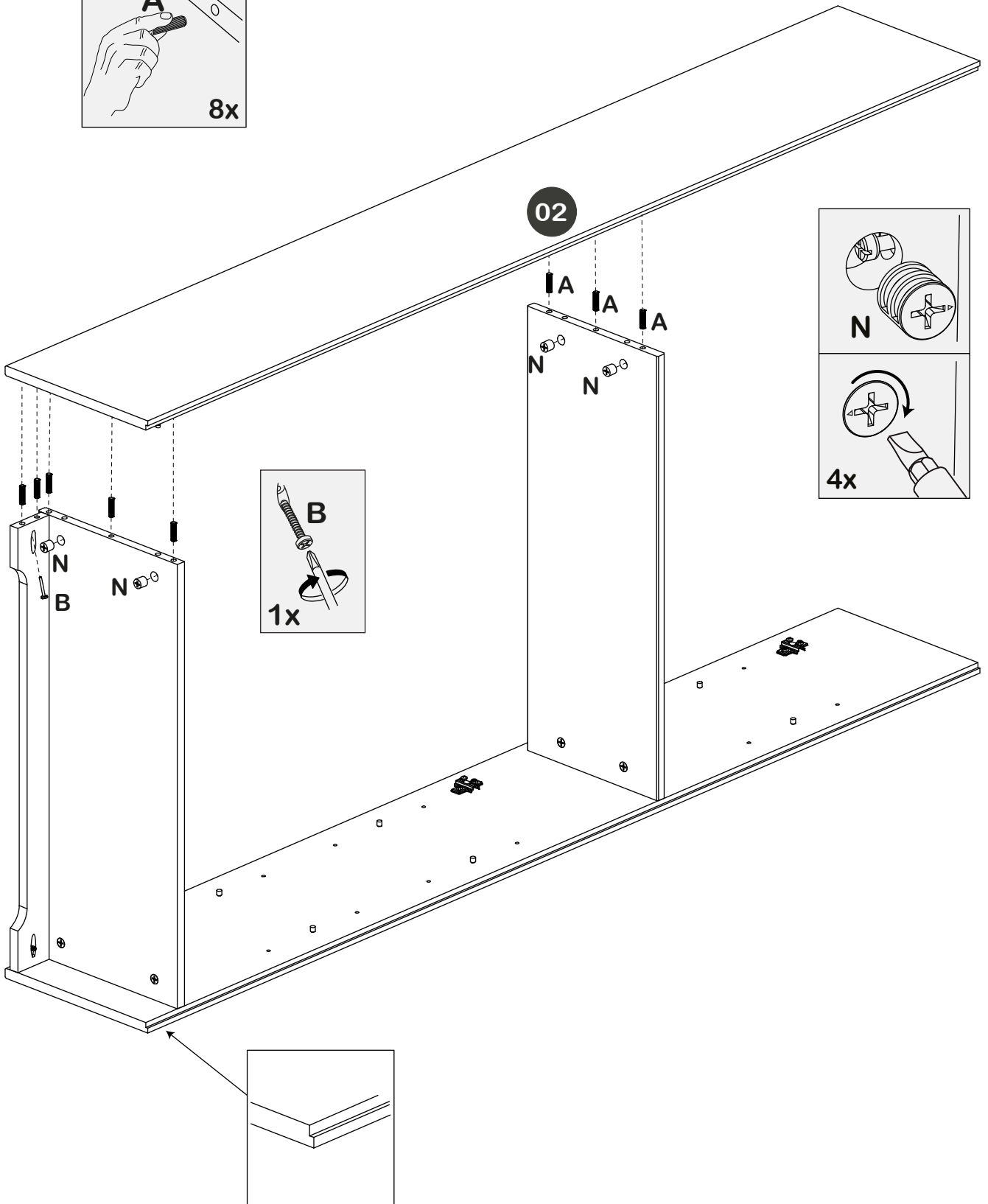
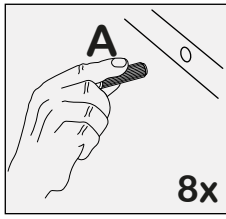
03






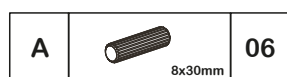
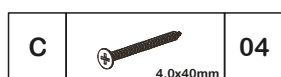
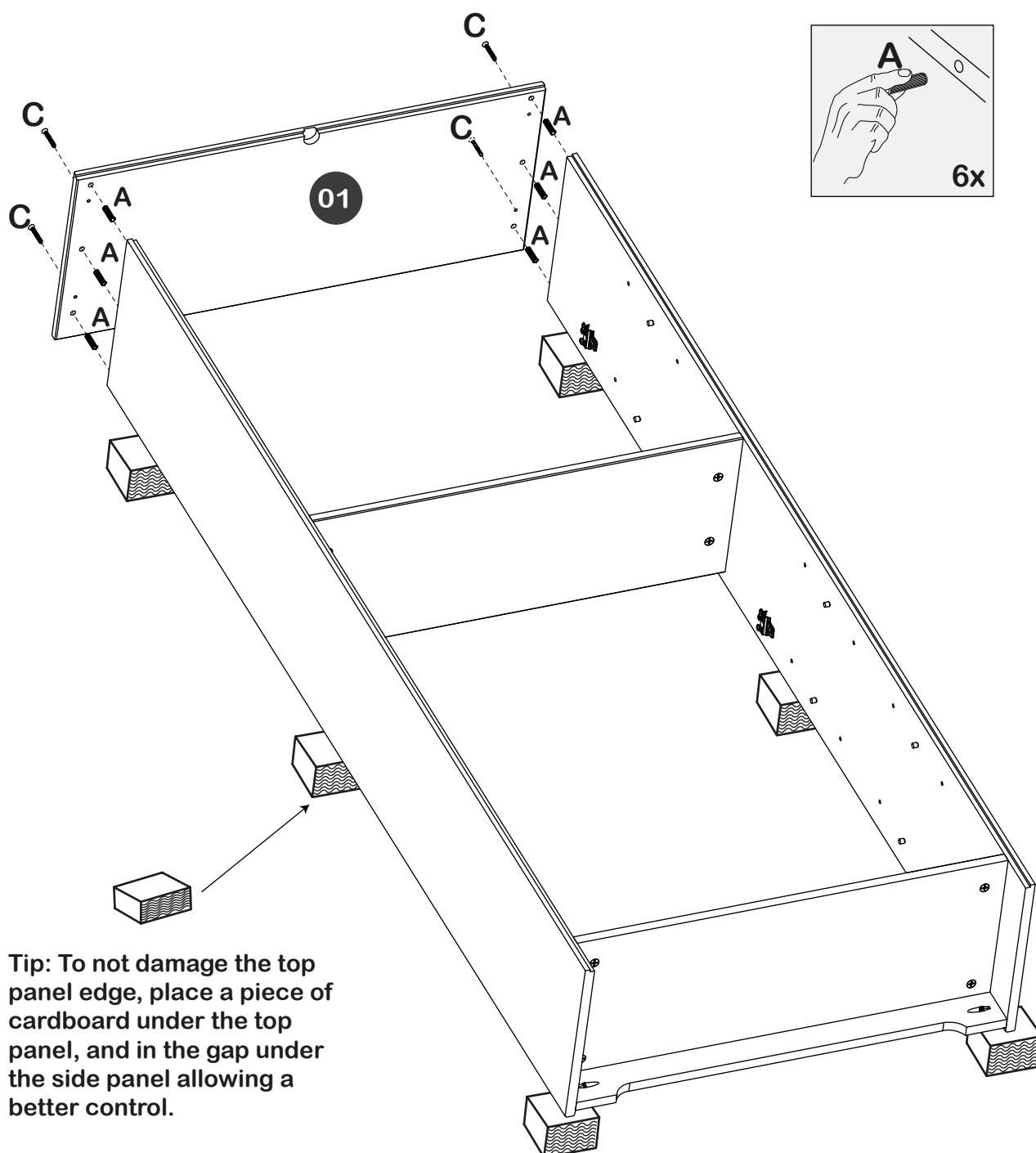
G		06	O		04
---	--	----	---	--	----



A		08	B		01	M		03
	8x30mm			3,5x30mm				



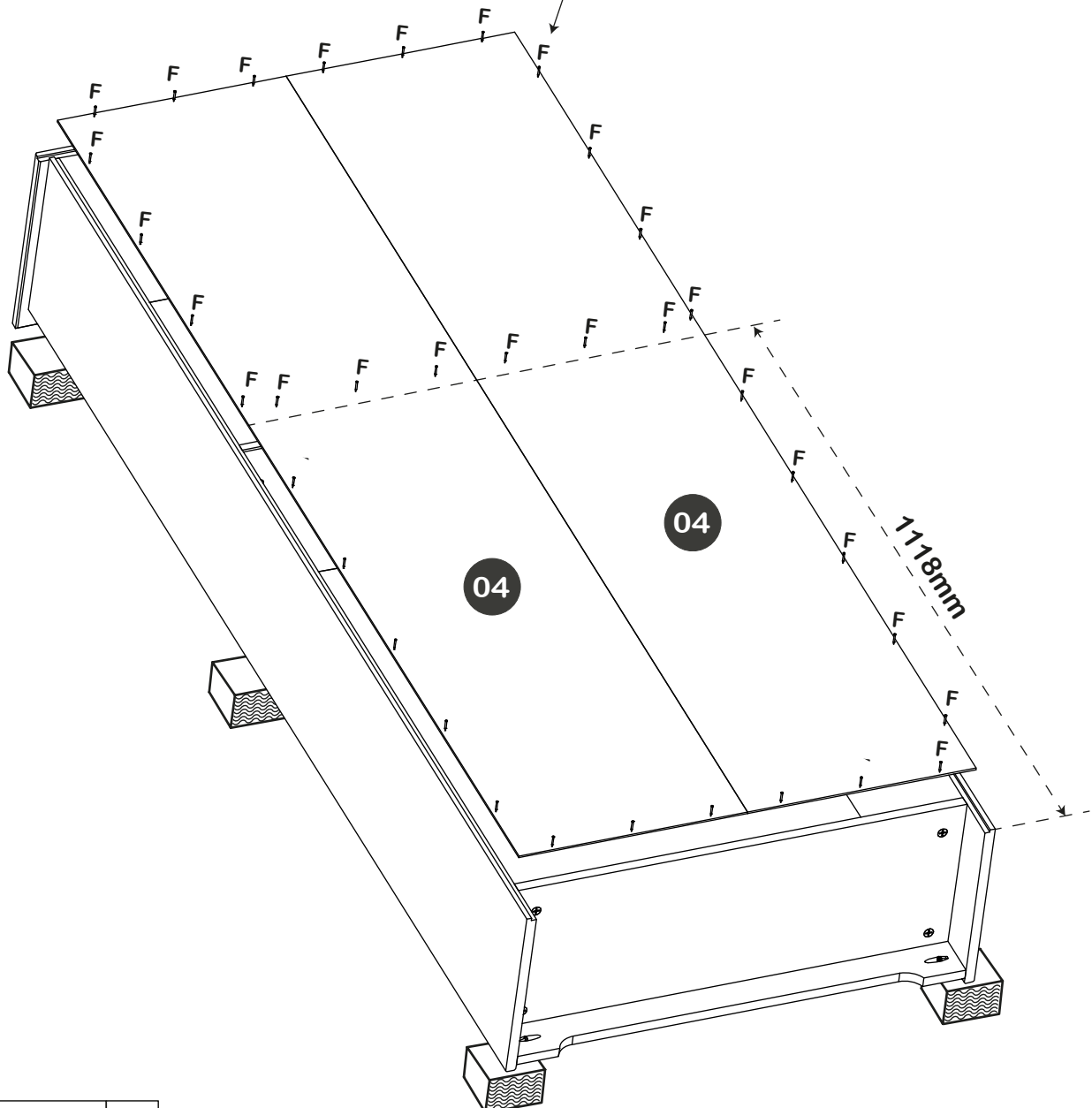
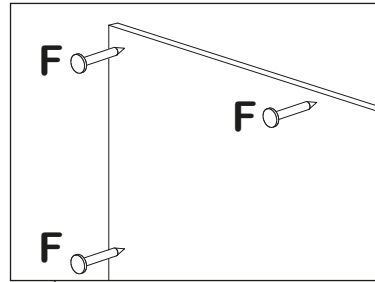
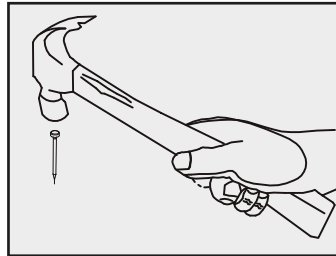
A	 8x30mm	08	 3,5x30mm	01		03
---	---	----	---	----	---	----




07



Use all back panels nails.
Evenly spaced, they help
make the unit strong.

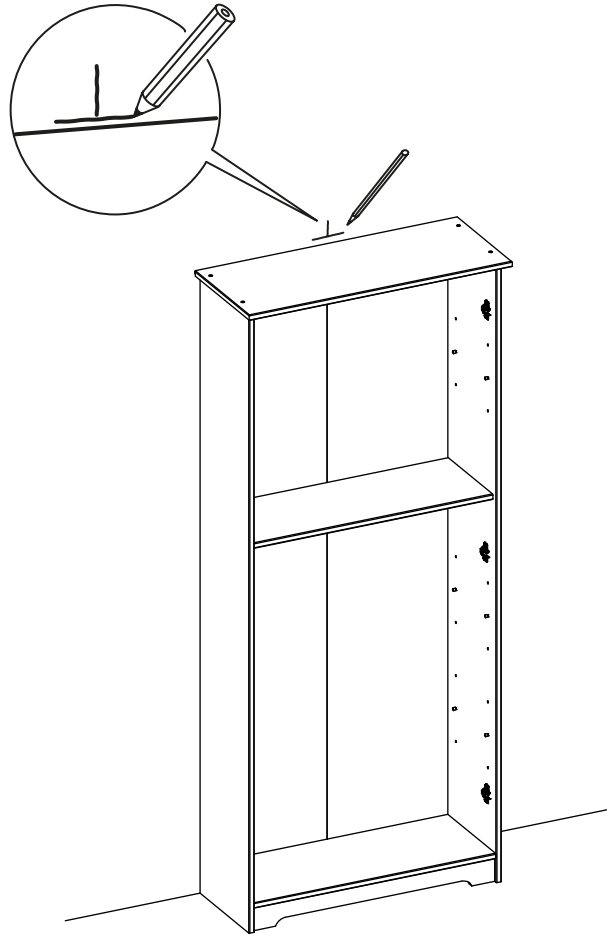


F		36
---	---	----

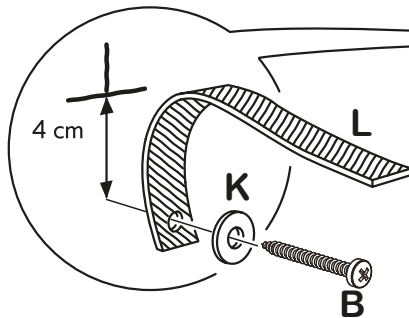
08



Position the furniture into place and make a mark to the wall, as shown.



09

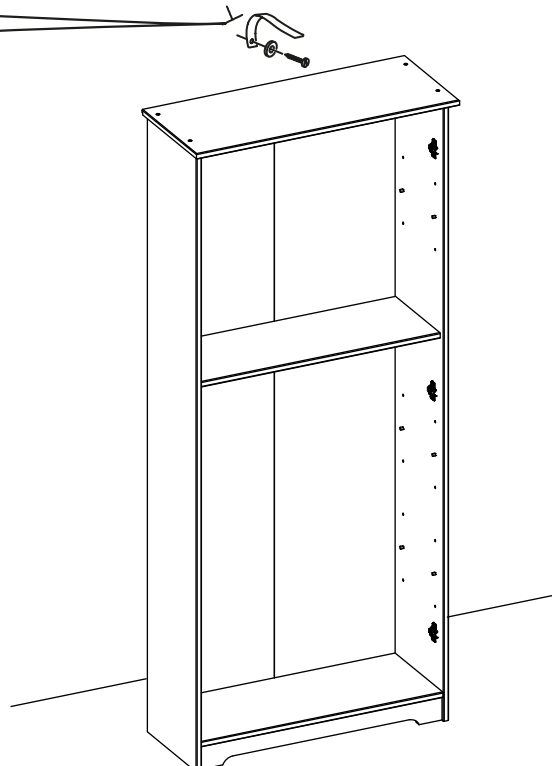


With help, carefully move the furniture away to access the mark in the wall.

Drill hole on wall 4cm below the mark, as shown in the diagram.



Before drilling, check wall for hidden pipes and cables.

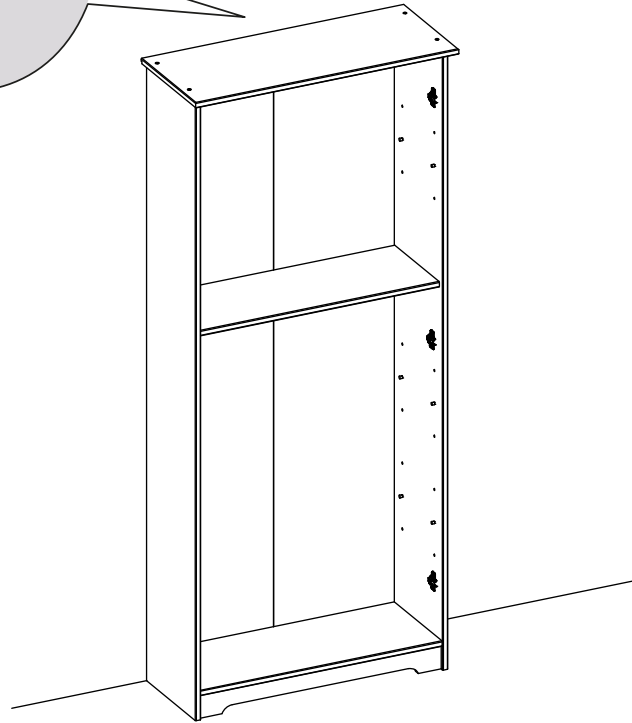
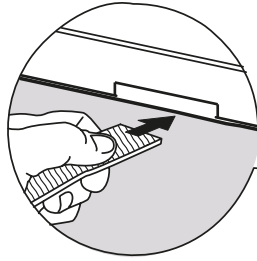


K		01	L		01	B		01
---	--	----	---	--	----	---	--	----

10



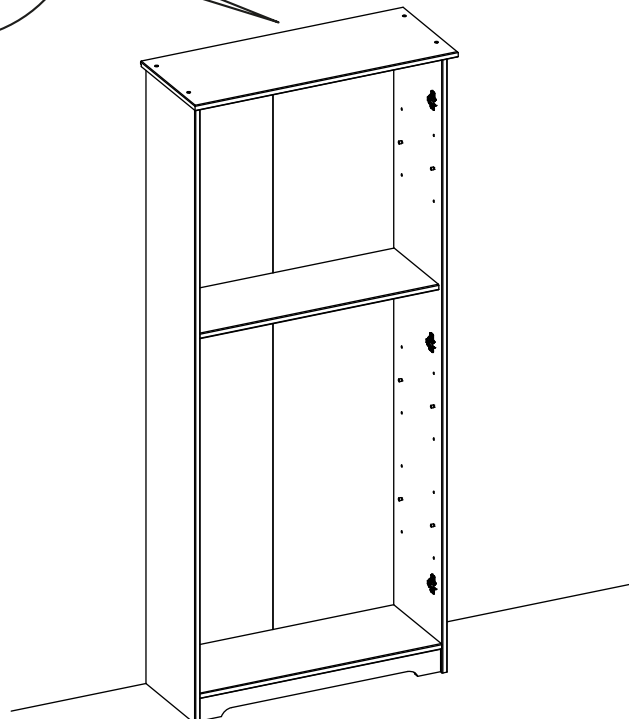
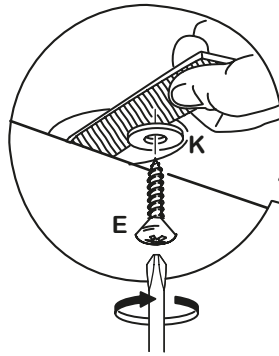
With help, carefully move the furniture back to position and insert wall strap into slot on top panel, as shown.




11



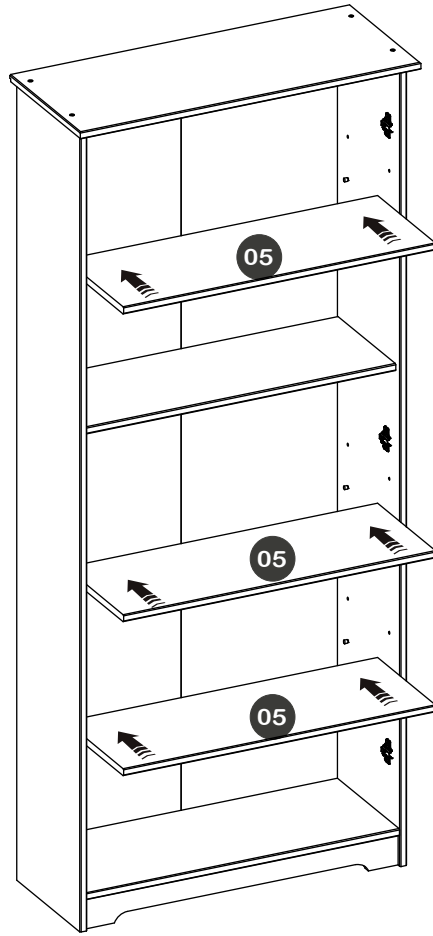
Inside the cabinet, hold wall strap in position and fix it using washer and screw, as shown.



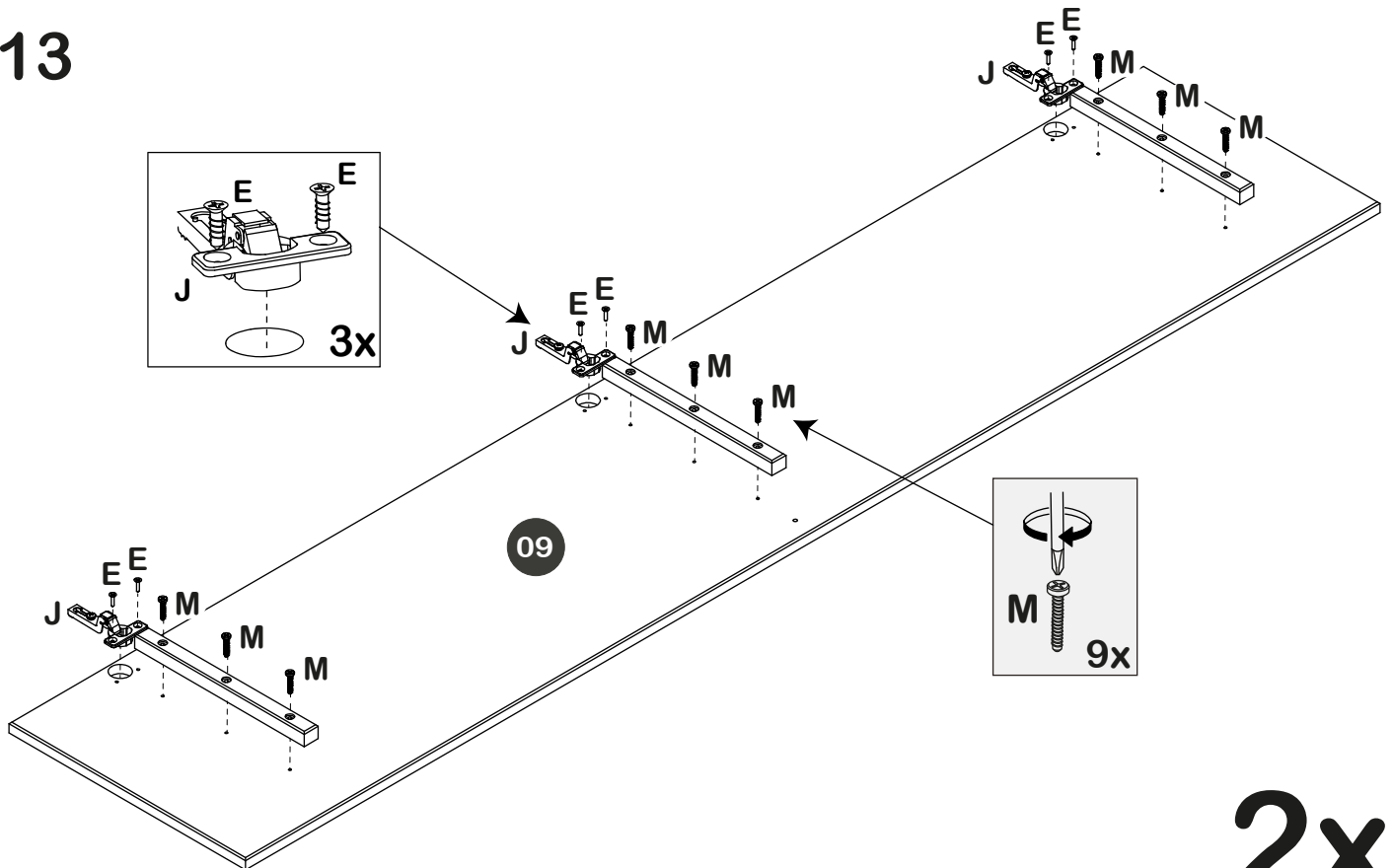
K		01
---	---	----

E		01
<small>4,0x16mm</small>		

12



13

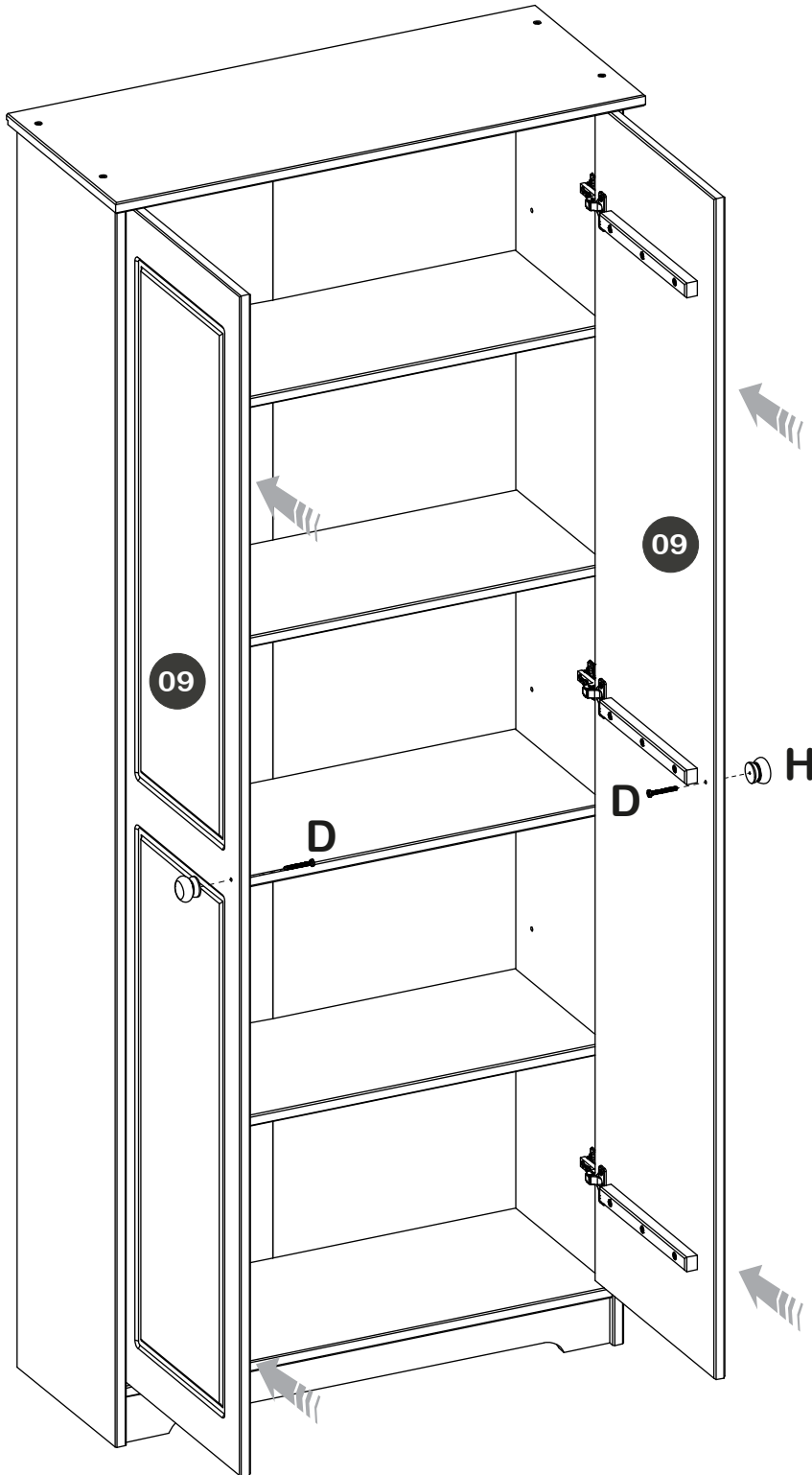


2x

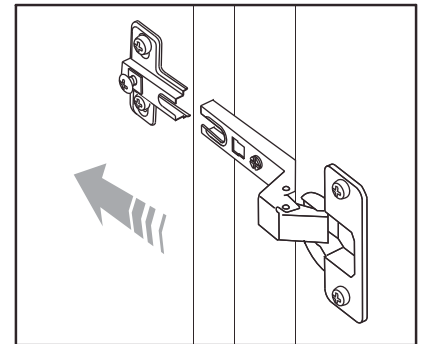
J		06	E	 4.0x16mm	12	M	 4x25mm	18
---	---	----	---	--	----	---	--	----



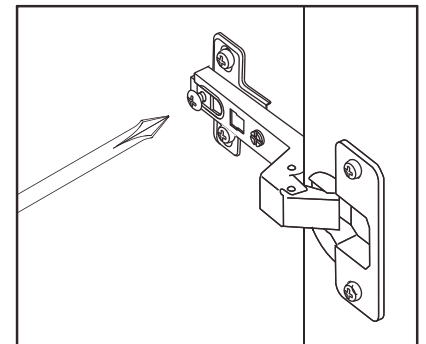
Note: See hinge adjustment in next step.





a:

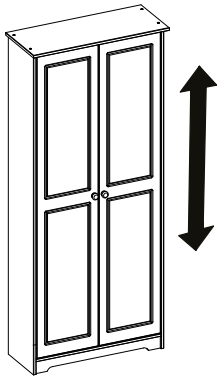


b:

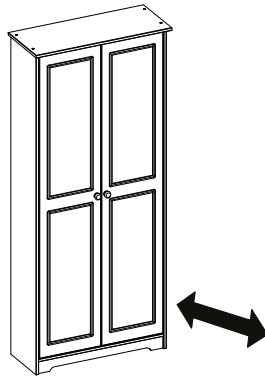


H		02	D		02
				4,0x40mm	

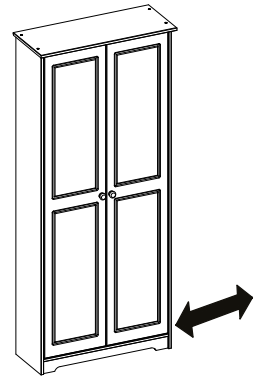
15



To move doors up or down:
loosen screws shown and
move doors to suit.
Re-tighten screws.



To move doors in or out:
loosen screws shown and
move doors to suit.
Re-tighten screws.



To move doors left or right:
loosen screws shown and
move doors to suit.
Re-tighten screws.

