






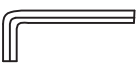

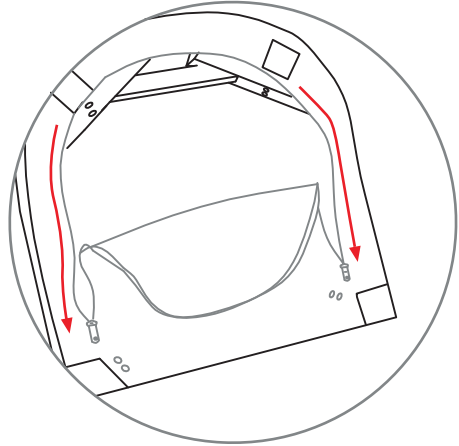


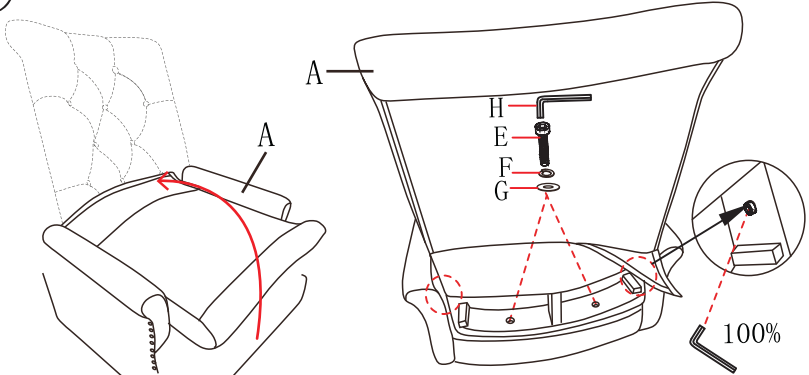
ASSEMBLY INSTRUCTIONS

Ax1	
Bx2	 Front leg
Cx2	 Rear leg
Dx4	 Adjust cap
Ex10	 M8*50mm Screw
Fx10	
Gx10	
Hx1	  M8 Allen key

① The legs are hidden under the seat frame

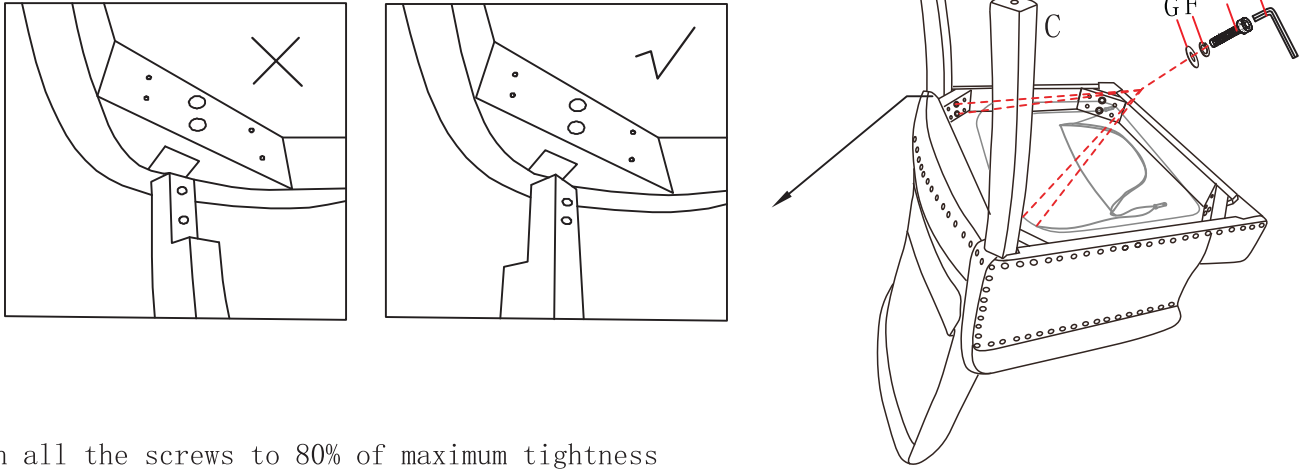


②



First, install the two lower screws and tighten them to 70%. Then, fully tighten (to 100%) the screws on both sides. Finally, fully tighten (to 100%) the two lower screws.

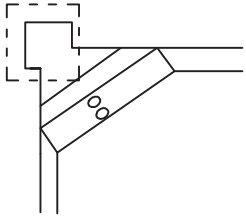
③



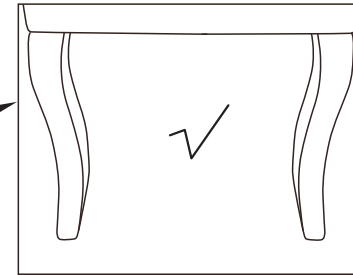
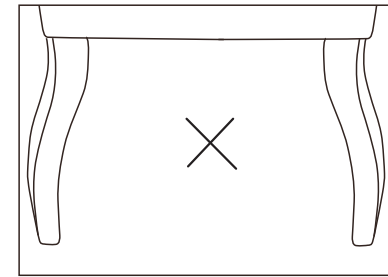
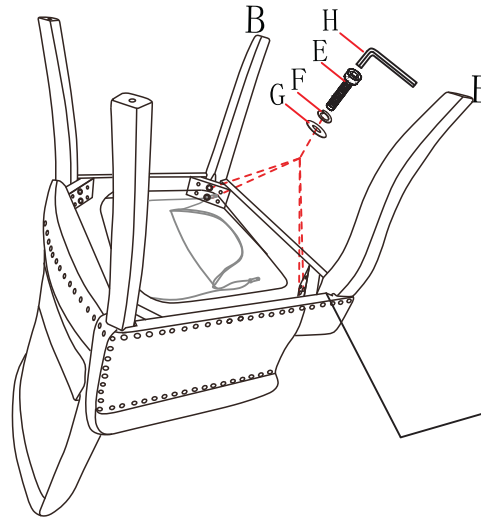
Tighten all the screws to 80% of maximum tightness

WARNING:
 DO NOT STAND ON THE PRODUCT, DO NOT USE THIS PRODUCT AS A STEP LADDER.
 DO NOT USE THIS PRODUCT UNLESS ALL BOLTS, SCREWS AND KNOBS ARE FIRMLY SECURED.
 PLEASE DO NOT USE KNIFE TO OPEN ANY PARTS OF THE BOX OR PRODUCT.

④

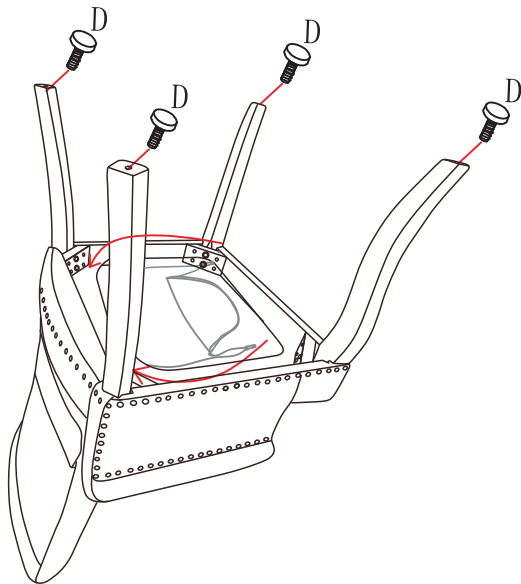


Put the front leg in the dotted box place, if you put it in the wrong place, it still can work, but the uneven force will cause the leg to break.



Tighten all the screws to 80% of maximum tightness

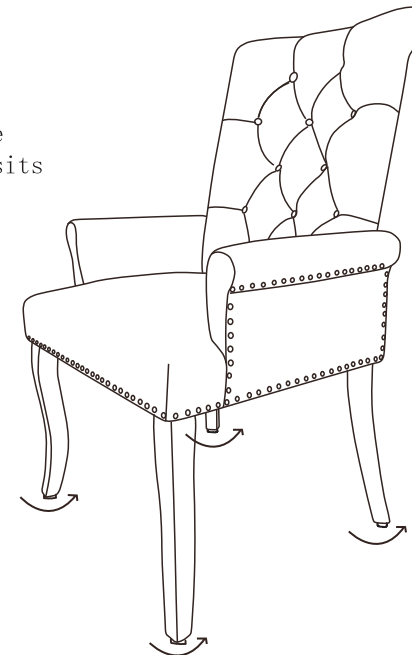
⑤



1. screw D into legs.
2. Carefully sit on the chair and make adjustments to ensure the legs are flat even on the floor.
3. Tighten all the screws to 100% of maximum tightness
4. Close the zipper of bottom Non-Woven fabric.

⑥

There are 4 small adjusters on the legs, ensure these are adjusted so the chair sits level.



Tighten one and loosen the other, to adjust to level.