

# ASSEMBLY INSTRUCTIONS

## (Kitchen Cart)

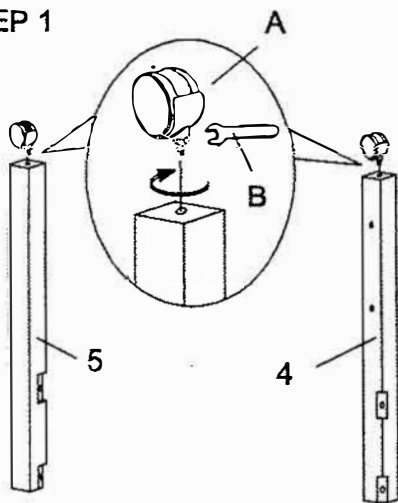
### Important note :

- Place all wooden parts on a clean and smooth surface such as a rug or carpet to avoid scratching the parts.
- Kindly follow the assembly instructions step by step.
- Do not tighten all screws and bolts until the table is fully assembled.

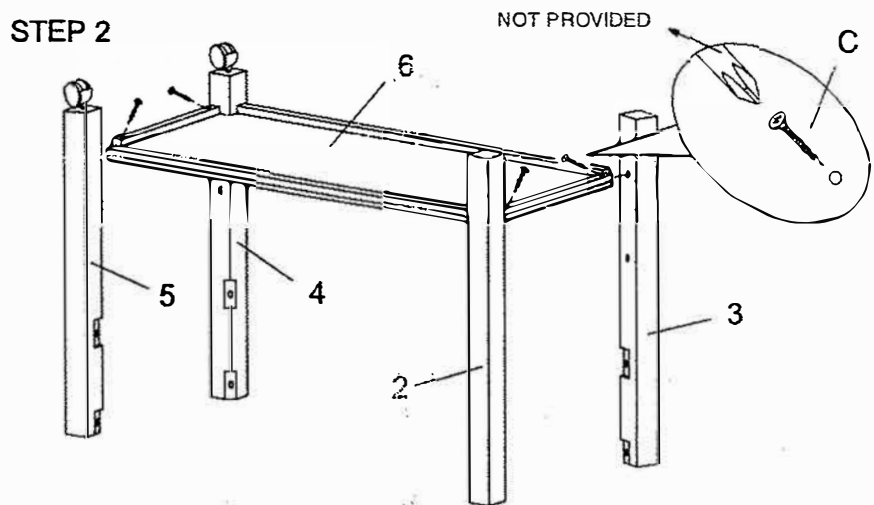
NO	COMPONENT	QTY
1	TABLE TOP	1
2	R-LONG LEG	1
3	L-LONG LEG	1
4	R-SHORT LEG	1
5	L-SHORT LEG	1
6	BOTTOM FRAME	1
7	CENTER FRAME	1
8	CASING RACK	2
9	BOTTOM PANEL	2

NO	HARDWARE	QTY
A	WHEEL	2
B	WRENCH	1
C	LARGE SCREW	4
D	SHELF BRACKET	4
E	SMALL SCREW	4
F	BOLT	8
G	SPRING WASHER	8
H	FLAT WASHER	8
I	ALLEN KEY	1

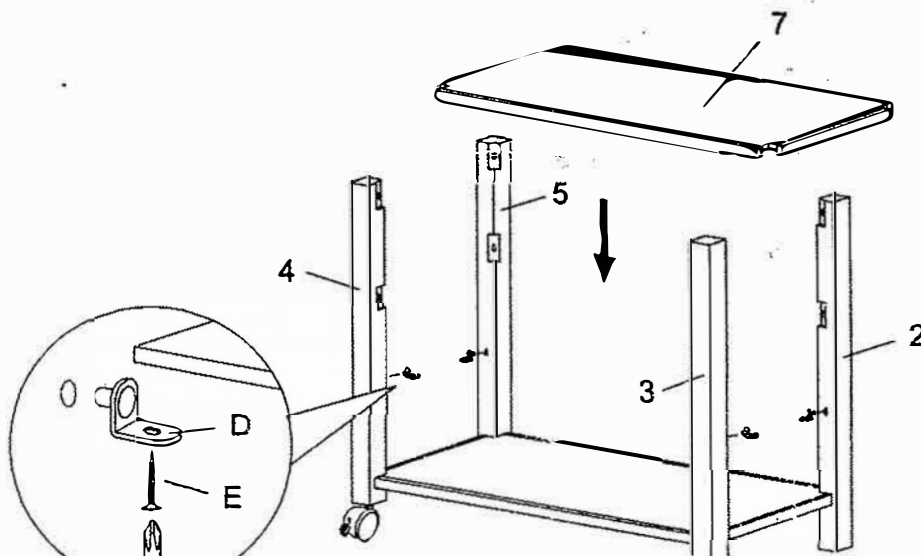
### STEP 1



### STEP 2



### STEP 3



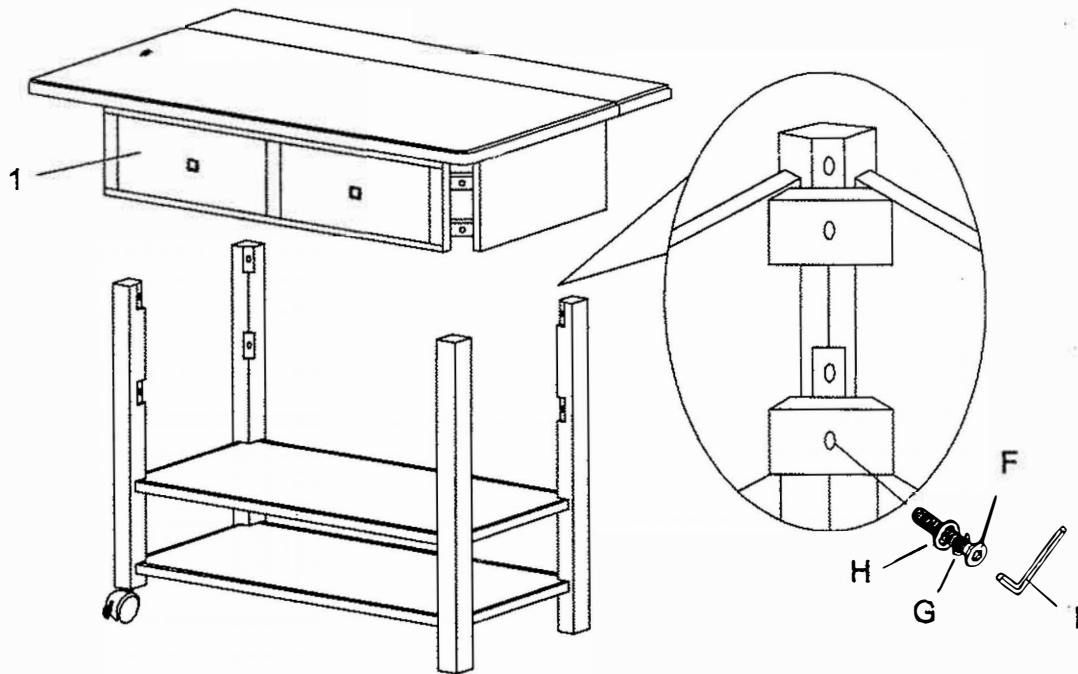
# ASSEMBLY INSTRUCTIONS

## (Kitchen Cart)

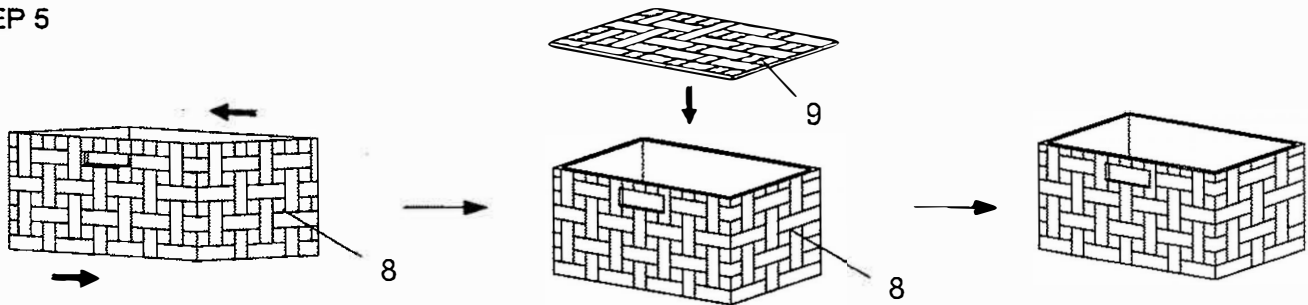
### Important note

- Place all wooden parts on a clean and smooth surface such as a rug or carpet to avoid scratching the parts.
- Kindly follow the assembly instructions step by step.
- Do not tighten all screws and bolts until the table is fully assembled.

### STEP 4



### STEP 5



### STEP 6



### STEP 7

